

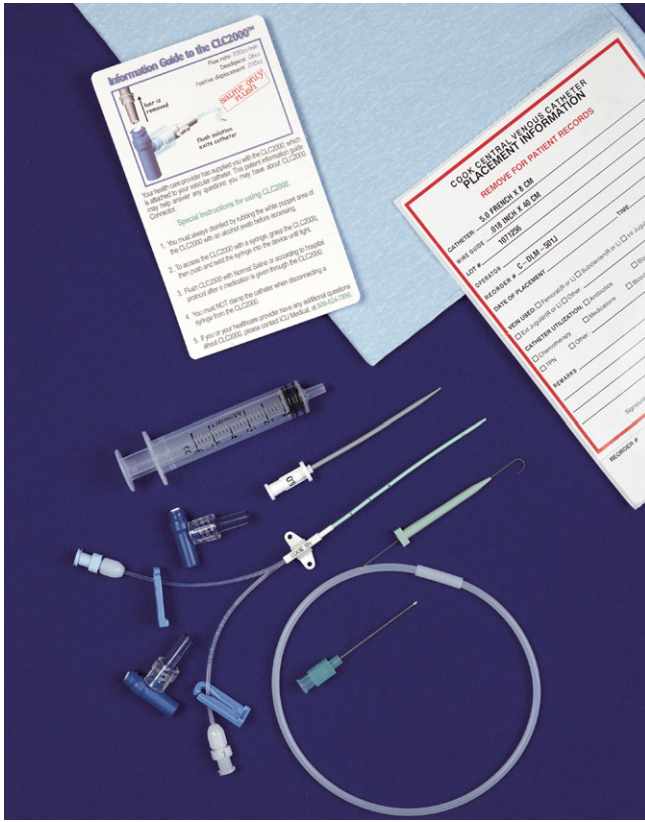
Central Venous & Arterial Catheter Sets and Trays



COOK[®]

Contents

Set and Tray Components, Heparin Coated Catheter Information	3
Single Lumen Central Venous Catheter Sets and Trays - Polyurethane	4-5
Single Lumen Central Venous Catheter Set and Trays - Modified - Polyurethane	6
Single Lumen Central Venous Catheter Sets and Trays - Polyethylene	7
Double Lumen Central Venous Catheter Sets and Trays - Polyurethane	8-9
Double Lumen Central Venous Catheter Sets and Trays - Soft Pediatric - Polyurethane	10
Double Lumen Central Venous Catheter Sets and Trays - High-Flow - Polyurethane	11
Triple Lumen Central Venous Catheter Sets and Trays - Polyurethane	12-13
Triple Lumen Central Venous Catheter Sets and Trays - High-Flow - Polyurethane	14
Triple Lumen Central Venous Catheter Sets and Trays - Pigtail - Polyurethane	15
Bunegin-Albin Air Aspiration Sets and Trays - Polyethylene	16
Left Atrial Pressure Monitoring Sets - Polyethylene	17
Arterial Pressure Monitoring Sets and Trays - Polyethylene	18-19
Cook Pressure Monitoring Catheter Sets - Femoral Artery - Nylon	20
Cook Pressure Monitoring Catheter Set - Maximum Flexibility - Polyurethane	21
Femoral/Distal Aortic Pressure Monitoring Set and Tray - Polyethylene	22



Set includes:

- Catheter
- Introducer needle
- Wire guide
- Dilator
- Syringe
- Injection caps

Tray includes:

- All Set items
- 25 gage needle
- 22 gage needle
- Lidocaine
- Povidone-iodine prep
- Fenestrated drape
- Gauze sponges
- Disposable syringes
- Disposable scalpel
- Suture with needle
- Needle holder
- Povidone-iodine ointment
- CSR wrap
- Prep tray

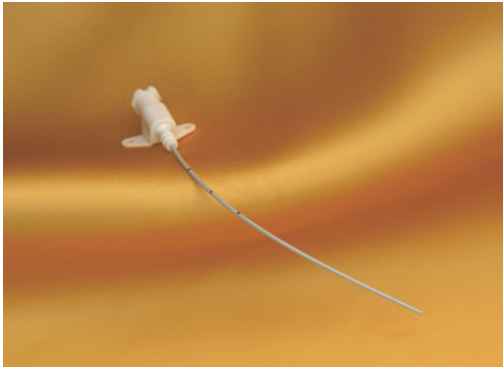


Heparin Coated Catheters

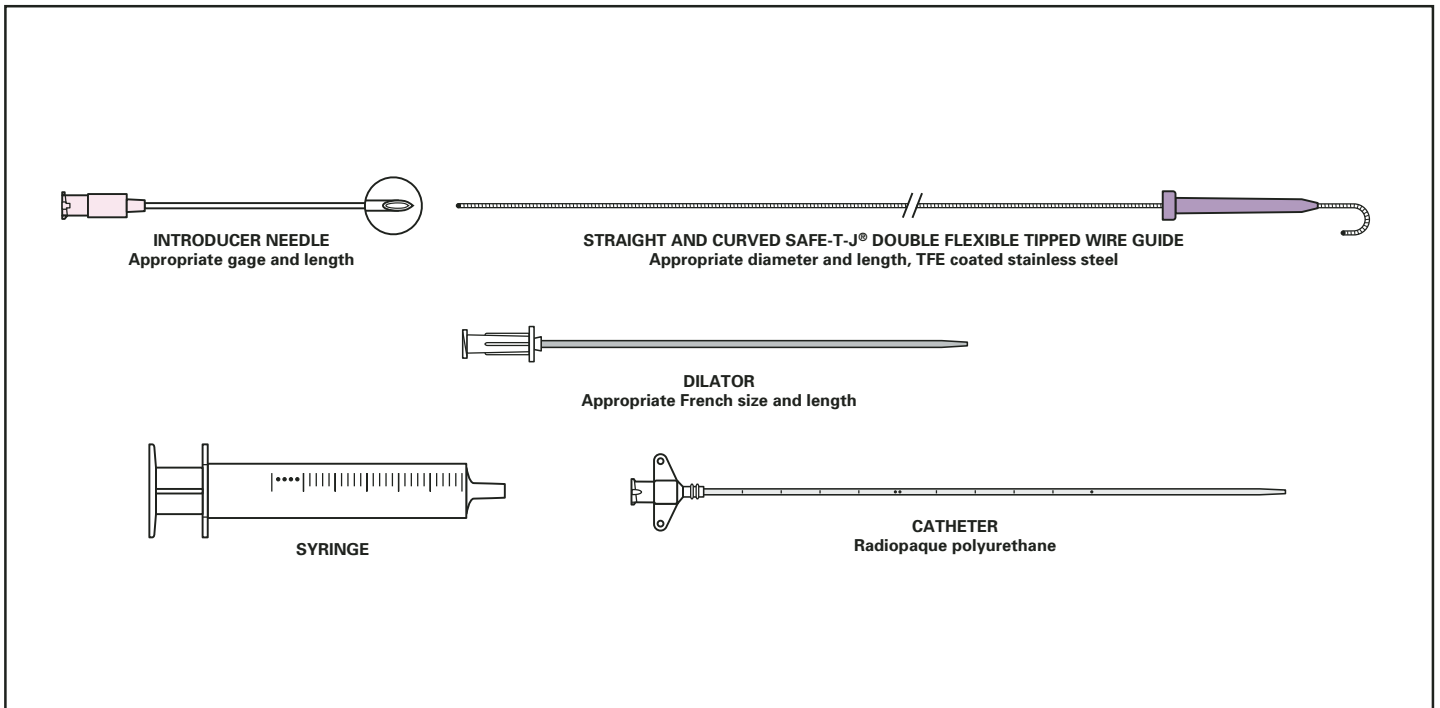
Heparin is an antithrombogenic coating which helps prevent the surface of the catheter (or wire guide) from becoming thrombosed in blood. To order a heparin coated catheter, add the suffix **BH** to the set or tray Order Number. (Example: **C-VAE-581J-BH**)

4 CENTRAL VENOUS AND ARTERIAL CATHETERS

SINGLE LUMEN CENTRAL VENOUS CATHETER SETS AND TRAYS POLYURETHANE



Used for venous pressure monitoring, blood sampling and administration of drugs and fluids. Supplied sterile in peel-open packages. Intended for one-time use.



SINGLE LUMEN CENTRAL VENOUS CATHETER SETS AND TRAYS POLYURETHANE

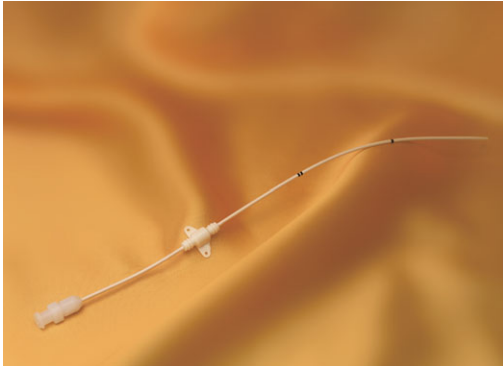
ORDER NUMBER	CATHETER			WIRE GUIDE		NEEDLE	Quick Reorder Number ²
	French Size	Equivalent Gage Size	Length ¹	Diameter	Type	Gage	
Sets							
C-PUM-301J-PED	3.0	20	5 cm	.018 inch	straight and 2 mm J	21T	110297
C-PUM-301J	3.0	20	8 cm	.018 inch	straight and 2 mm J	21T	077617
C-PUM-401J	4.0	18	12 cm	.021 inch	straight and 2 mm J	20T	076996
C-PUM-501J	5.0	16	15 cm	.035 inch	straight and 3 mm J	18T	076693
C-PUM-501J-RSC	5.0	16	20 cm	.035 inch	straight and 3 mm J	18T	073800
C-PUM-501J-LSC	5.0	16	25 cm	.035 inch	straight and 3 mm J	18T	077272
C-PUM-601J	6.0	14	15 cm	.035 inch	straight and 3 mm J	18T	089548
C-PUM-601J-RSC	6.0	14	20 cm	.035 inch	straight and 3 mm J	18T	106755
C-PUM-601J-LSC	6.0	14	25 cm	.035 inch	straight and 3 mm J	18T	161326
Trays							
C-PUMY-301J-PED	3.0	20	5 cm	.018 inch	straight and 2 mm J	21T	137773
C-PUMY-301J	3.0	20	8 cm	.018 inch	straight and 2 mm J	21T	078154
C-PUMY-401J	4.0	18	12 cm	.021 inch	straight and 2 mm J	20T	078323
C-PUMY-501J	5.0	16	15 cm	.035 inch	straight and 3 mm J	18T	078764
C-PUMY-501J-RSC	5.0	16	20 cm	.035 inch	straight and 3 mm J	18T	077597
C-PUMY-501J-LSC	5.0	16	25 cm	.035 inch	straight and 3 mm J	18T	078079
C-PUMY-601J	6.0	14	15 cm	.035 inch	straight and 3 mm J	18T	115482
C-PUMY-601J-RSC	6.0	14	20 cm	.035 inch	straight and 3 mm J	18T	103611
C-PUMY-601J-LSC	6.0	14	25 cm	.035 inch	straight and 3 mm J	18T	174088

¹Length of catheter should be determined according to the anatomy of the patient and the entry site of the catheter. To guarantee extrapericardial location, catheter tip should not be advanced beyond innominate vein or initial segment of superior vena cava.

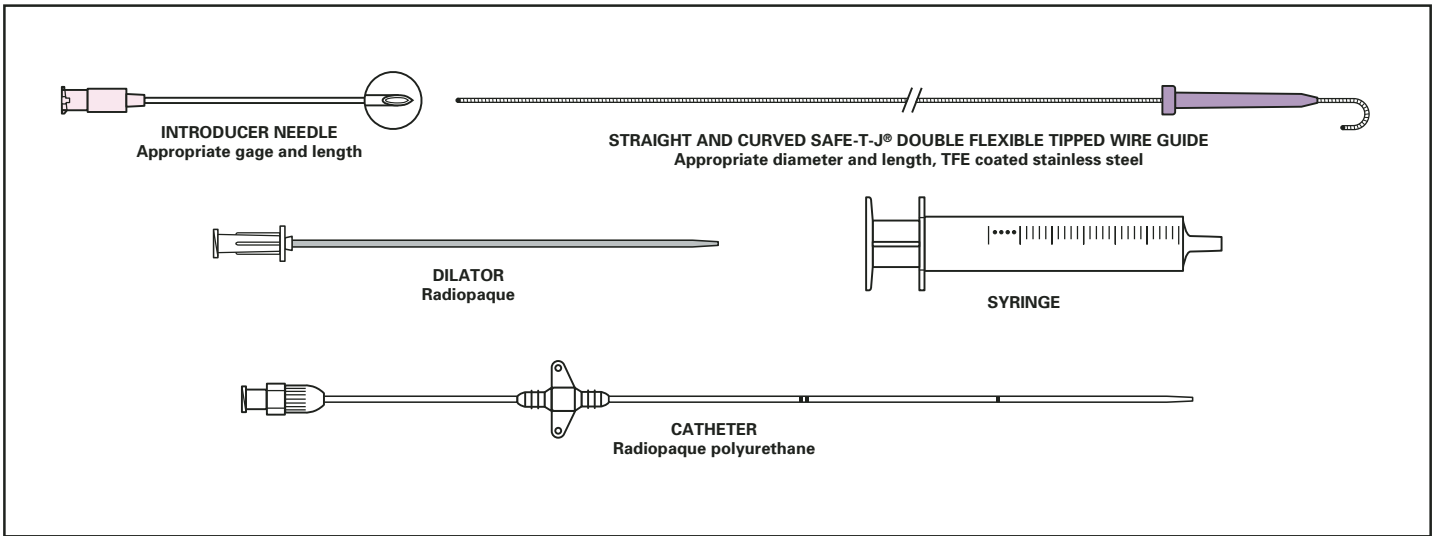
²The Quick Reorder Number is for U.S.A. domestic use only.

6 CENTRAL VENOUS AND ARTERIAL CATHETERS

**SINGLE LUMEN CENTRAL VENOUS CATHETER SETS AND TRAYS
MODIFIED - POLYURETHANE**



Used for venous pressure monitoring, blood sampling and administration of drugs and fluids. Catheter extension facilitates catheter maintenance and connections away from access site. Supplied sterile in peel-open packages. Intended for one-time use.

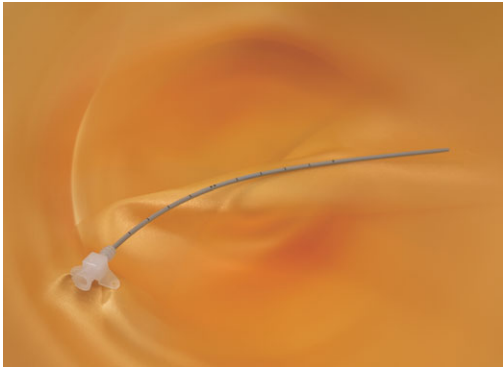


ORDER NUMBER	CATHETER			WIRE GUIDE		NEEDLE	Quick Reorder Number ²
	French Size	Equivalent Gage Size	Length ¹	Diameter	Type	Gage	
Sets							
C-USLM-301J	3.0	20	8 cm	.018 inch	straight and 2 mm J	21T	140461
C-USLM-401J	4.0	18	12 cm	.021 inch	straight and 2 mm J	20T	140460
C-USLM-501J	5.0	16	15 cm	.035 inch	straight and 3 mm J	18T	127837
Trays							
C-USLMY-301J	3.0	20	8 cm	.018 inch	straight and 2 mm J	21T	140464
C-USLMY-401J	4.0	18	12 cm	.021 inch	straight and 2 mm J	20T	140463
C-USLMY-501J	5.0	16	15 cm	.035 inch	straight and 3 mm J	18T	140462

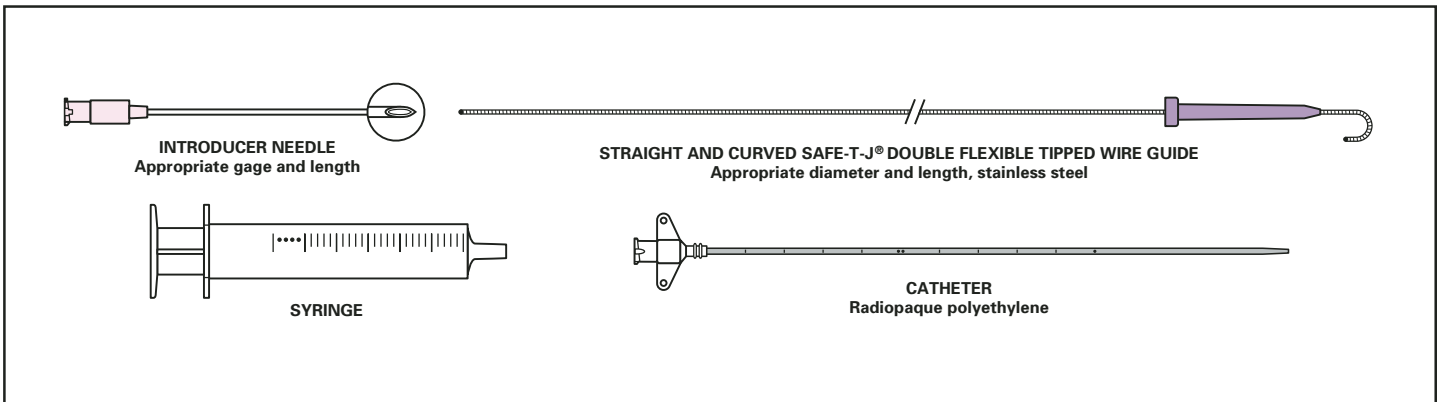
¹Length of catheter should be determined according to the anatomy of the patient and the entry site of the catheter. To guarantee extrapericardial location, catheter tip should not be advanced beyond innominate vein or initial segment of superior vena cava.

²The Quick Reorder Number is for U.S.A. domestic use only.

**SINGLE LUMEN CENTRAL VENOUS CATHETER SETS AND TRAYS
POLYETHYLENE**



Used for venous pressure monitoring, blood sampling and administration of drugs and fluids. Supplied sterile in peel-open packages. Intended for one-time use.



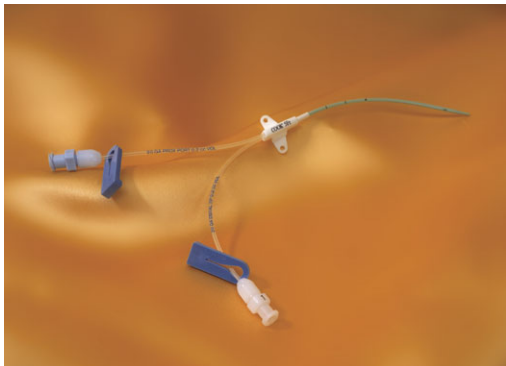
ORDER NUMBER	French Size	CATHETER		Length ¹	WIRE GUIDE		NEEDLE	Quick Reorder Number ²
		Equivalent Gage Size			Diameter	Type		
Sets								
C-PMS-251J	2.5	21		2.5 cm	.015 inch	straight and 2 mm J	22T	104977
C-PMS-301J-PED	3.0	20		5 cm	.018 inch	straight and 2 mm J	21T	110234
C-PMS-301J	3.0	20		8 cm	.018 inch	straight and 2 mm J	21T	076546
C-PMS-401J	4.0	18		12 cm	.021 inch	straight and 2 mm J	20T	074293
C-PMS-501J	5.0	16		15 cm	.035 inch	straight and 3 mm J	18T	073854
C-PMS-501J-RSC	5.0	16		20 cm	.035 inch	straight and 3 mm J	18T	073775
C-PMS-501J-LSC	5.0	16		25 cm	.035 inch	straight and 3 mm J	18T	073776
C-PMS-631J	6.3	14		15 cm	.035 inch	straight and 3 mm J	18T	073774
C-PMS-631J-RSC	6.3	14		20 cm	.035 inch	straight and 3 mm J	18T	087668
C-PMS-631J-LSC	6.3	14		25 cm	.035 inch	straight and 3 mm J	18T	100014
Trays								
C-PMSY-251J	2.5	21		2.5 cm	.015 inch	straight and 2 mm J	22T	159356
C-PMSY-301J-PED	3.0	20		5 cm	.018 inch	straight and 2 mm J	21T	119142
C-PMSY-301J	3.0	20		8 cm	.018 inch	straight and 2 mm J	21T	080513
C-PMSY-401J	4.0	18		12 cm	.021 inch	straight and 2 mm J	20T	078322
C-PMSY-501J	5.0	16		15 cm	.035 inch	straight and 3 mm J	18T	076642
C-PMSY-501J-RSC	5.0	16		20 cm	.035 inch	straight and 3 mm J	18T	073893
C-PMSY-501J-LSC	5.0	16		25 cm	.035 inch	straight and 3 mm J	18T	073895
C-PMSY-631J	6.3	14		15 cm	.035 inch	straight and 3 mm J	18T	077158
C-PMSY-631J-RSC	6.3	14		20 cm	.035 inch	straight and 3 mm J	18T	087669
C-PMSY-631J-LSC	6.3	14		25 cm	.035 inch	straight and 3 mm J	18T	168326

¹Length of catheter should be determined according to the anatomy of the patient and the entry site of the catheter. To guarantee extrapericardial location, catheter tip should not be advanced beyond innominate vein or initial segment of superior vena cava.

²The Quick Reorder Number is for U.S.A. domestic use only.

8 CENTRAL VENOUS AND ARTERIAL CATHETERS

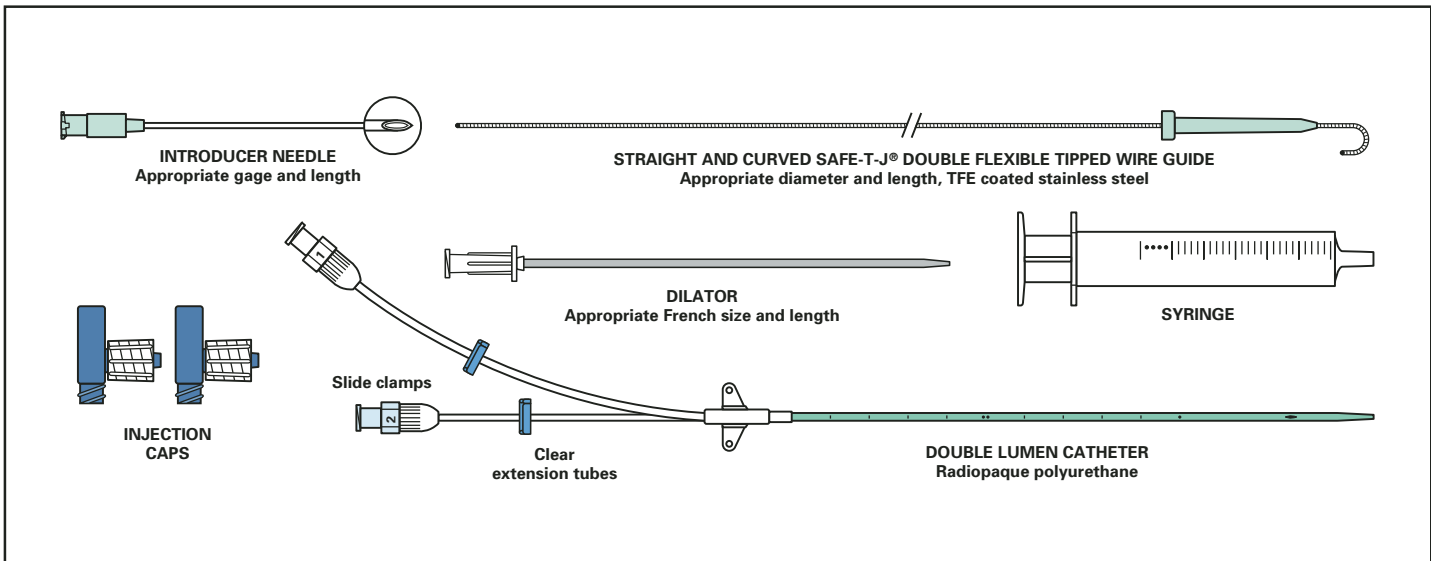
DOUBLE LUMEN CENTRAL VENOUS CATHETER SETS AND TRAYS
POLYURETHANE



Used for venous pressure monitoring, blood sampling and administration of drugs and fluids.

- The catheter incorporates two separate, noncommunicating vascular access lumens within a single catheter body.
- The double lumen design reduces the necessity of utilizing multiple venipunctures or multiple stopcock configurations using single lumen catheters.
- Exit ports of individual lumens are separated by an appropriate distance in proportion to the catheter's French size. This serves to separate fluids administered simultaneously.

Supplied sterile in peel-open packages. Intended for one-time use.



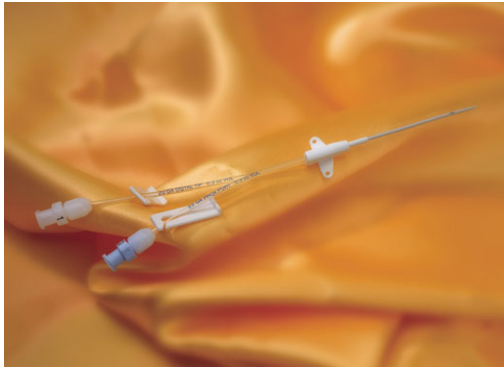
DOUBLE LUMEN CENTRAL VENOUS CATHETER SETS AND TRAYS POLYURETHANE

ORDER NUMBER	CATHETER			WIRE GUIDE		NEEDLE	Quick Reorder Number ²
	French Size	Equivalent Gage Size	Length ¹	Diameter	Type	Gage	
SETS							
Pediatric							
C-UDLM-401J-PED	4.0	18	5 cm	.018 inch	straight and 2 mm J	21T	131587
C-UDLM-401J	4.0	18	8 cm	.018 inch	straight and 2 mm J	21T	128922
C-UDLM-401J-RSC	4.0	18	12 cm	.018 inch	straight and 2 mm J	21T	132266
C-UDLM-401J-LSC	4.0	18	15 cm	.018 inch	straight and 2 mm J	21T	132507
C-UDLM-501J-PED	5.0	16	5 cm	.018 inch	straight and 2 mm J	21T	128734
C-UDLM-501J	5.0	16	8 cm	.018 inch	straight and 2 mm J	21T	128305
C-UDLM-501J-RSC	5.0	16	12 cm	.018 inch	straight and 2 mm J	21T	128645
C-UDLM-501J-LSC	5.0	16	15 cm	.018 inch	straight and 2 mm J	21T	130286
Adult							
C-UDLM-751J	7.5	13	15 cm	.035 inch	straight and 3 mm J	18T	124469
C-UDLM-751J-RSC	7.5	13	20 cm	.035 inch	straight and 3 mm J	18T	124629
C-UDLM-751J-LSC	7.5	13	25 cm	.035 inch	straight and 3 mm J	18T	124773
TRAYS							
Pediatric							
C-UDLMY-401J-PED	4.0	18	5 cm	.018 inch	straight and 2 mm J	21T	132119
C-UDLMY-401J	4.0	18	8 cm	.018 inch	straight and 2 mm J	21T	133579
C-UDLMY-401J-RSC	4.0	18	12 cm	.018 inch	straight and 2 mm J	21T	133803
C-UDLMY-401J-LSC	4.0	18	15 cm	.018 inch	straight and 2 mm J	21T	133254
C-UDLMY-501J-PED	5.0	16	5 cm	.018 inch	straight and 2 mm J	21T	130409
C-UDLMY-501J	5.0	16	8 cm	.018 inch	straight and 2 mm J	21T	128646
C-UDLMY-501J-RSC	5.0	16	12 cm	.018 inch	straight and 2 mm J	21T	128648
C-UDLMY-501J-LSC	5.0	16	15 cm	.018 inch	straight and 2 mm J	21T	133580
Adult							
C-UDLMY-751J	7.5	13	15 cm	.035 inch	straight and 3 mm J	18T	124774
C-UDLMY-751J-RSC	7.5	13	20 cm	.035 inch	straight and 3 mm J	18T	124775
C-UDLMY-751J-LSC	7.5	13	25 cm	.035 inch	straight and 3 mm J	18T	124776

¹Length of catheter should be determined according to the anatomy of the patient and the entry site of the catheter. To guarantee extrapericardial location, catheter tip should not be advanced beyond innominate vein or initial segment of superior vena cava.

²The Quick Reorder Number is for U.S.A. domestic use only.

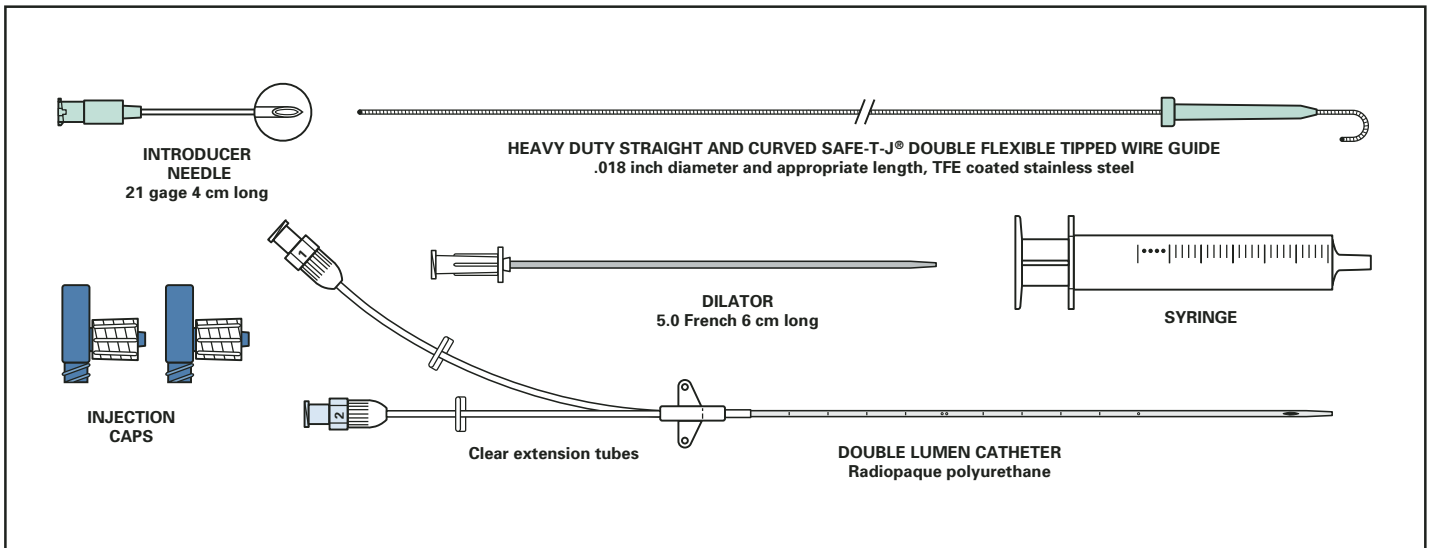
DOUBLE LUMEN CENTRAL VENOUS CATHETER SETS AND TRAYS
SOFT PEDIATRIC - POLYURETHANE



Used for venous pressure monitoring, blood sampling and administration of drugs and fluids.

- The catheter incorporates two separate, noncommunicating vascular access lumens within a single catheter body.
- The double lumen design reduces the necessity of utilizing multiple venipunctures or multiple stopcock configurations using single lumen catheters.
- Exit ports of individual lumens are separated by an appropriate distance in proportion to the catheter's French size. This serves to separate fluids administered simultaneously.
- Heavy duty wire guide provides additional support during placement. Large lumens optimize flow rates.

Supplied sterile in peel-open packages. Intended for one-time use.



ORDER NUMBER	CATHETER			WIRE GUIDE		NEEDLE	Quick Reorder Number ²
	French Size	Equivalent Gage Size	Length ¹	Diameter	Type	Gage	
Sets							
C-SDLM-401J-PED	4.0	18	5 cm	.018 inch	straight and 2 mm J	21T	230852
C-SDLM-401J	4.0	18	8 cm	.018 inch	straight and 2 mm J	21T	229475
C-SDLM-401J-LSC	4.0	18	15 cm	.018 inch	straight and 2 mm J	21T	233660
Trays							
C-SDLMY-401J-PED	4.0	18	5 cm	.018 inch	straight and 2 mm J	21T	230855
C-SDLMY-401J-LSC	4.0	18	15 cm	.018 inch	straight and 2 mm J	21T	237175

¹Length of catheter should be determined according to the anatomy of the patient and the entry site of the catheter. To guarantee extrapericardial location, catheter tip should not be advanced beyond innominate vein or initial segment of superior vena cava.

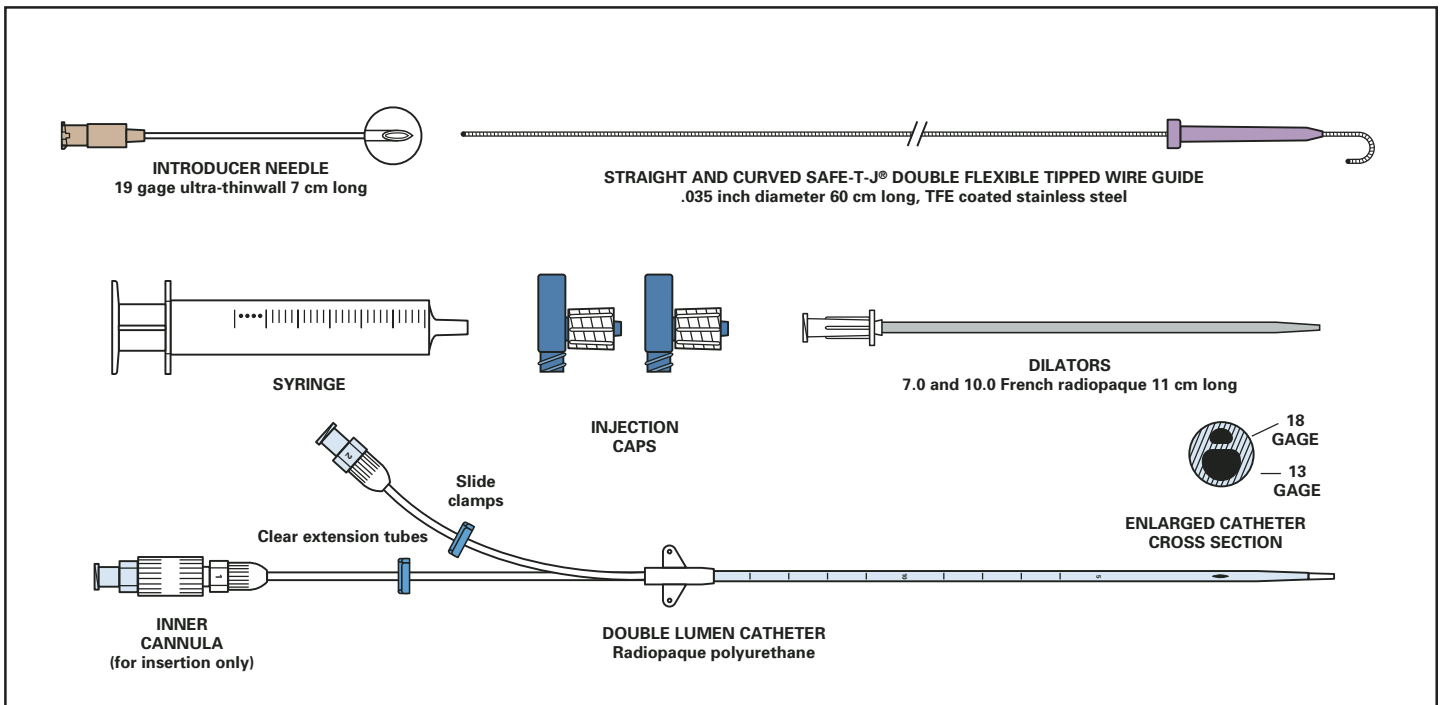
²The Quick Reorder Number is for U.S.A. domestic use only.

DOUBLE LUMEN CENTRAL VENOUS CATHETER SETS AND TRAYS
HIGH-FLOW - POLYURETHANE



Used for venous pressure monitoring, blood sampling, drug administration and high volume replacement of fluids or blood products.

- The catheter incorporates two separate, noncommunicating vascular access lumens within a single catheter body.
 - Coaxial catheter design maximizes inner diameter (ID) of central lumen for high flow capability.¹
 - Inner cannula, tapered to wire guide, facilitates atraumatic entry into vessel after small needle puncture. Inner cannula is removed after insertion.
 - Exit ports of individual lumens are separated by a distance of 2 cm.
- Supplied sterile in peel-open packages. Intended for one-time use.



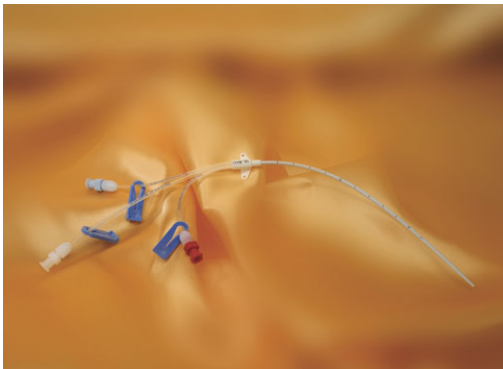
ORDER NUMBER	French Size	CATHETER		WIRE GUIDE		NEEDLE	Quick Reorder Number ³
		Equivalent Gage Size	Length ²	Diameter	Type		
Sets							
C-UDLM-953J	9.5	11	15 cm	.035 inch	straight and 3 mm J	19UT	171033
C-UDLM-953J-RSC	9.5	11	20 cm	.035 inch	straight and 3 mm J	19UT	171035
C-UDLM-953J-LSC	9.5	11	25 cm	.035 inch	straight and 3 mm J	19UT	171034
Trays							
C-UDLMY-953J	9.5	11	15 cm	.035 inch	straight and 3 mm J	19UT	171125
C-UDLMY-953J-RSC	9.5	11	20 cm	.035 inch	straight and 3 mm J	19UT	173915
C-UDLMY-953J-LSC	9.5	11	25 cm	.035 inch	straight and 3 mm J	19UT	174430

¹In vitro flow studies conducted with D5W through 13 gage lumen: 40" Gravity Drip - 132 cc/min; 300 mm/Hg Pressure Infusion - 307 cc/min

²Length of catheter should be determined according to the anatomy of the patient and the entry site of the catheter. To guarantee extrapericardial location, catheter tip should not be advanced beyond innominate vein or initial segment of superior vena cava.

³The Quick Reorder Number is for U.S.A. domestic use only.

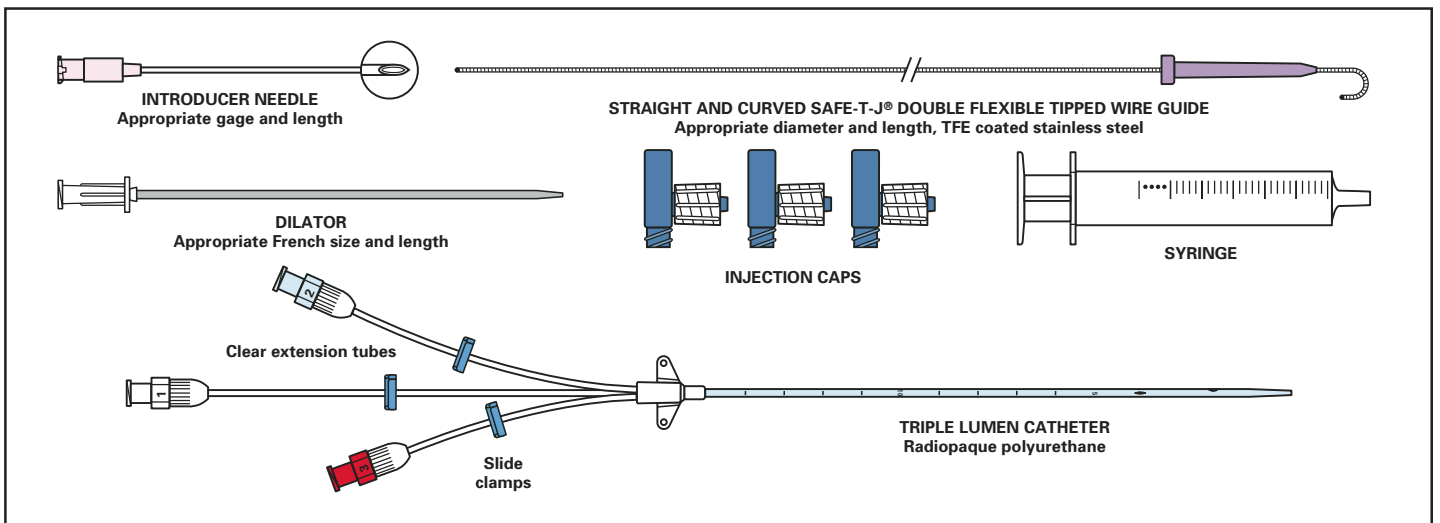
TRIPLE LUMEN CENTRAL VENOUS CATHETER SETS AND TRAYS POLYURETHANE



Used for venous pressure monitoring, blood sampling and administration of drugs and fluids.

- The catheter incorporates three separate, noncommunicating vascular access lumens within a single catheter body.
- The triple lumen design reduces the necessity of utilizing multiple venipunctures or multiple stopcock configurations using single lumen catheters.
- Exit ports of individual lumens are separated by an appropriate distance in proportion to the catheter's French size and are oriented in a spiral configuration on the catheter body. This serves to separate fluids administered simultaneously.

Supplied sterile in peel-open packages. Intended for one-time use.



TRIPLE LUMEN CENTRAL VENOUS CATHETER SETS AND TRAYS

POLYURETHANE

ORDER NUMBER	CATHETER			WIRE GUIDE		NEEDLE	Quick Reorder Number ²
	French Size	Equivalent Gage Size	Length ¹	Diameter	Type	Gage	
SETS							
Pediatric							
C-UTLM-501J-PED	5.0	16	5 cm	.025 inch	straight and 2 mm J	19T	131588
C-UTLM-501J	5.0	16	8 cm	.025 inch	straight and 2 mm J	19T	131589
C-UTLM-501J-RSC	5.0	16	12 cm	.025 inch	straight and 2 mm J	19T	131590
C-UTLM-501J-LSC	5.0	16	15 cm	.025 inch	straight and 2 mm J	19T	132506
Adult							
C-UTLM-701J	7.0	13	15 cm	.035 inch	straight and 3 mm J	18T	105295
C-UTLM-701J-RSC	7.0	13	20 cm	.035 inch	straight and 3 mm J	18T	105933
C-UTLM-701J-LSC	7.0	13	25 cm	.035 inch	straight and 3 mm J	18T	106195
TRAYS							
Pediatric							
C-UTLMY-501J-PED	5.0	16	5 cm	.025 inch	straight and 2 mm J	19T	133606
C-UTLMY-501J	5.0	16	8 cm	.025 inch	straight and 2 mm J	19T	132120
C-UTLMY-501J-RSC	5.0	16	12 cm	.025 inch	straight and 2 mm J	19T	133130
C-UTLMY-501J-LSC	5.0	16	15 cm	.025 inch	straight and 2 mm J	19T	133256
Adult							
C-UTLMY-701J	7.0	13	15 cm	.035 inch	straight and 3 mm J	18T	105292
C-UTLMY-701J-RSC	7.0	13	20 cm	.035 inch	straight and 3 mm J	18T	105294
C-UTLMY-701J-LSC	7.0	13	25 cm	.035 inch	straight and 3 mm J	18T	106199

¹Length of catheter should be determined according to the anatomy of the patient and the entry site of the catheter. To guarantee extrapericardial location, catheter tip should not be advanced beyond innominate vein or initial segment of superior vena cava.

²The Quick Reorder Number is for U.S.A. domestic use only.

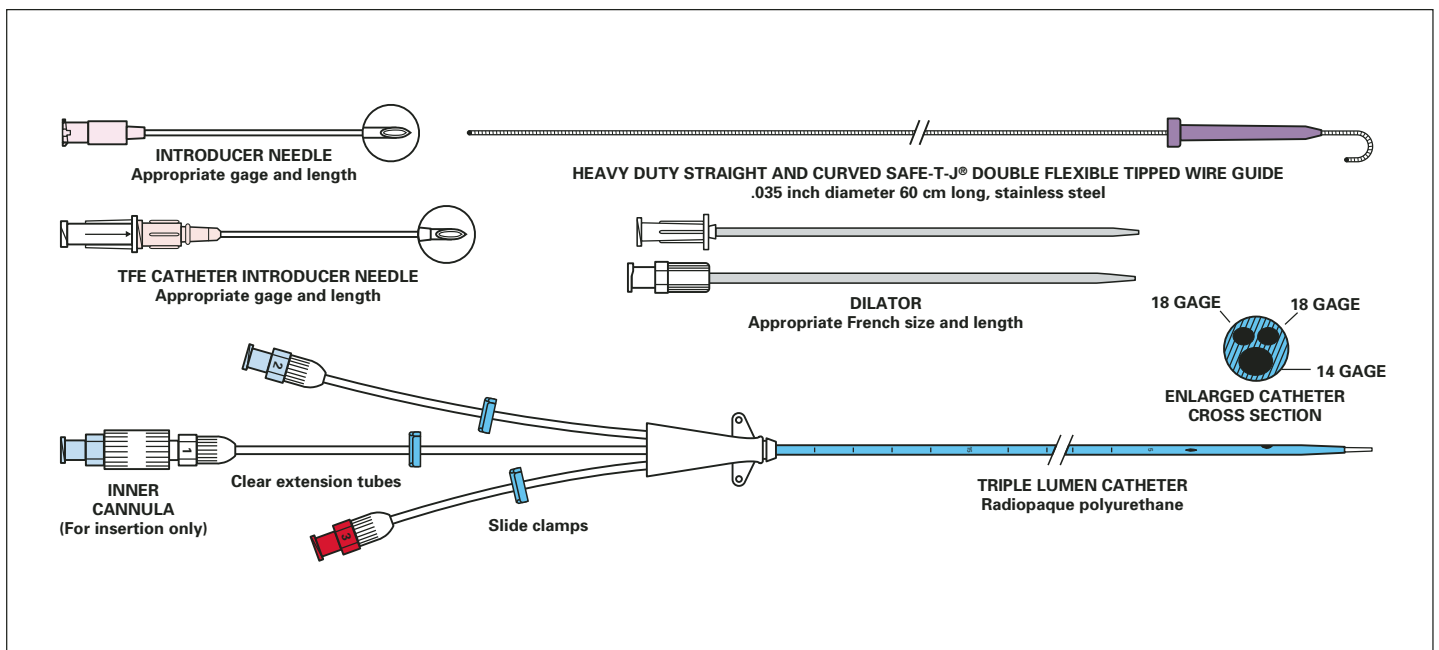
TRIPLE LUMEN CENTRAL VENOUS CATHETER SETS AND TRAYS HIGH-FLOW - POLYURETHANE



Used for venous pressure monitoring, blood sampling and administration of drugs and fluids.

- Coaxial catheter design maximizes inner diameter (ID) of central lumen for high flow capability.
- The catheter incorporates three separate, noncommunicating vascular access lumens within a single catheter body.
- The triple lumen design reduces the necessity of utilizing multiple venipunctures or multiple stopcock configurations using single lumen catheters.
- Exit ports of individual lumens are separated by an appropriate distance in proportion to the catheter's French size and are oriented in a spiral configuration on the catheter body. This serves to separate fluids administered simultaneously.

Supplied sterile in peel-open packages. Intended for one-time use.



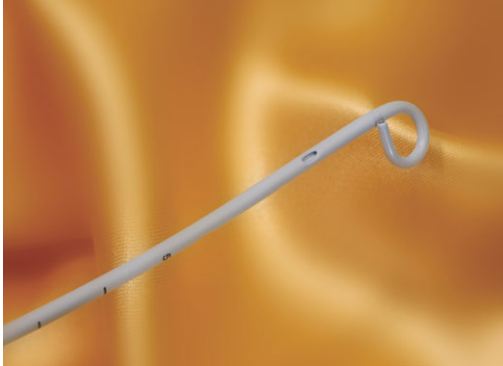
ORDER NUMBER	French Size	CATHETER		WIRE GUIDE		NEEDLE	Quick Reorder Number ²
		Equivalent Gage Size	Length ¹	Diameter	Type	Gage	
Sets							
C-UTLM-901J	9.0	11	15 cm	.035 inch	straight and 3 mm J	18T	261580
C-UTLM-901J-RSC	9.0	11	20 cm	.035 inch	straight and 3 mm J	18T	261581
C-UTLM-901J-LSC	9.0	11	25 cm	.035 inch	straight and 3 mm J	18T	261582
Trays							
C-UTLMY-901J	9.0	11	15 cm	.035 inch	straight and 3 mm J	18T	261583
C-UTLMY-901J-RSC	9.0	11	20 cm	.035 inch	straight and 3 mm J	18T	261584
C-UTLMY-901J-LSC	9.0	11	25 cm	.035 inch	straight and 3 mm J	18T	261585

¹Length of catheter should be determined according to the anatomy of the patient and the entry site of the catheter. To guarantee extrapericardial location, catheter tip should not be advanced beyond innominate vein or initial segment of superior vena cava.

²The Quick Reorder Number is for U.S.A. domestic use only.

TRIPLE LUMEN CENTRAL VENOUS CATHETER SETS AND TRAYS

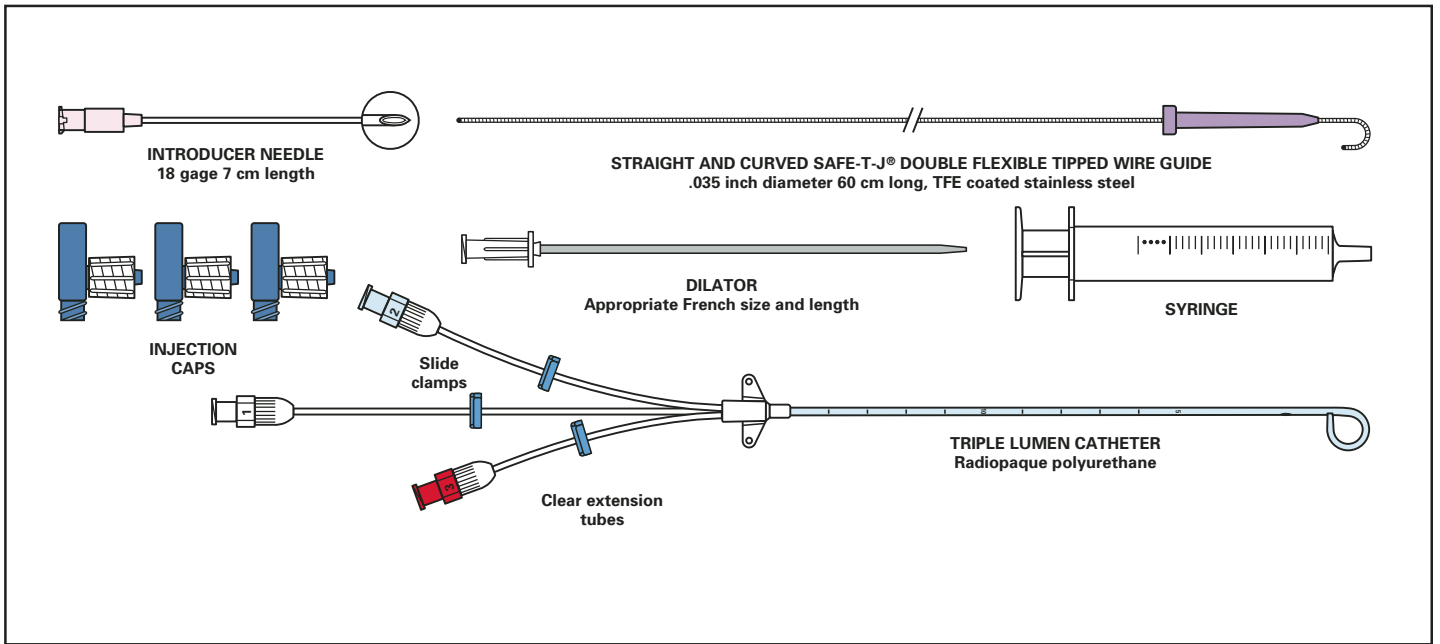
PIGTAIL - POLYURETHANE



Used for venous pressure monitoring, blood sampling and administration of drugs and fluids.

- The unique pigtail configuration of the catheter tip is atraumatic to vascular structures reducing the risk of erosion or perforation.
- Centimeter markings on the shaft provide visual reference points for monitoring catheter position.
- The catheter is introduced utilizing standard percutaneous entry (Seldinger) technique. The catheter incorporates three separate, noncommunicating vascular access lumens within a single catheter body.
- Exit ports of individual lumens are separated by an appropriate distance and are oriented in a spiral configuration on the catheter body.

Supplied sterile in peel-open packages. Intended for one-time use.



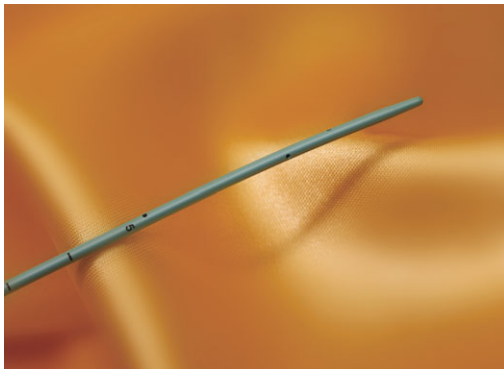
ORDER NUMBER	CATHETER			WIRE GUIDE		NEEDLE	Quick Reorder Number ²
	French Size	Equivalent Gage Size	Length ¹	Diameter	Type	Gage	
Sets							
C-UTLM-701J-PIG	7.0	13	15 cm	.035 inch	straight and 3 mm J	18T	111809
C-UTLM-701J-PIG-RSC	7.0	13	20 cm	.035 inch	straight and 3 mm J	18T	137345
C-UTLM-701J-PIG-LSC	7.0	13	25 cm	.035 inch	straight and 3 mm J	18T	138641
Trays							
C-UTLMY-701J-PIG	7.0	13	15 cm	.035 inch	straight and 3 mm J	18T	127524
C-UTLMY-701J-PIG-RSC	7.0	13	20 cm	.035 inch	straight and 3 mm J	18T	140663
C-UTLMY-701J-PIG-LSC	7.0	13	25 cm	.035 inch	straight and 3 mm J	18T	138417

¹Length of catheter should be determined according to the anatomy of the patient and the entry site of the catheter. To guarantee extrapericardial location, catheter tip should not be advanced beyond innominate vein or initial segment of superior vena cava.

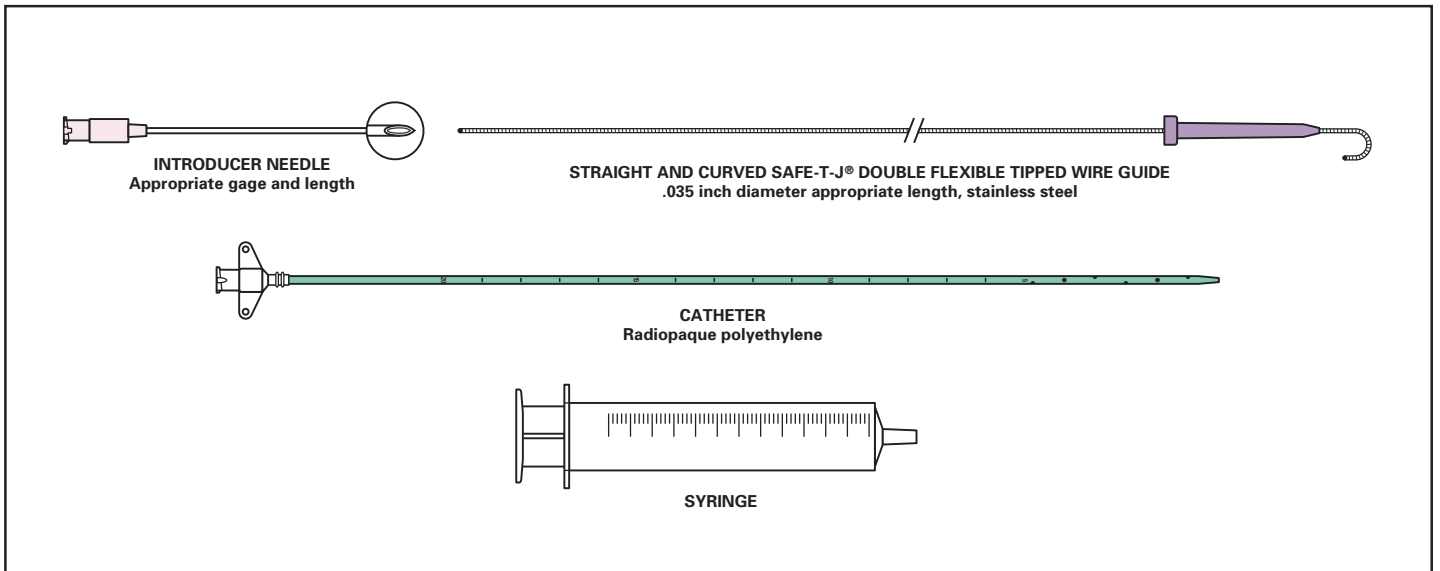
²The Quick Reorder Number is for U.S.A. domestic use only.

Patent Pending; Japanese Patent Number 1,761,842; European Patent Number 0,351,206; Canadian Patent Number 1,334,071

BUNEGIN-ALBIN AIR ASPIRATION SETS AND TRAYS
POLYETHYLENE



Used to aspirate air in the central venous system and right atrium during sitting neurosurgical procedures. Six spiraled sideports allow for more efficient aspiration. Supplied sterile in peel-open packages. Intended for one-time use.

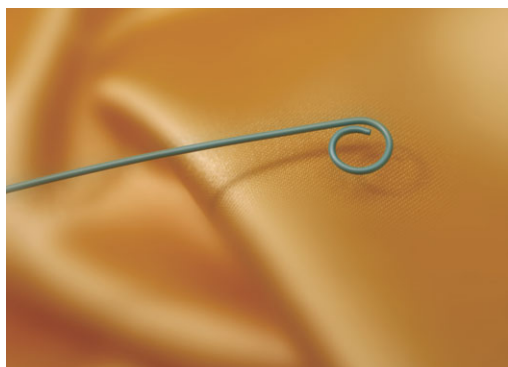


ORDER NUMBER	CATHETER ¹			WIRE GUIDE			Remarks	Quick Reorder Number ²
	French Size	Equivalent Gage Size	Length	Diameter	Length	Type		
Sets								
C-VAE-581J	5.8	14	60 cm	.035 inch	145 cm	straight and 3 mm J	Antecubital	155783
C-VAE-581J-SCJ	5.8	14	24 cm	.035 inch	60 cm	straight and 3 mm J	Subclavian and Jugular	155784
Trays								
C-VAEY-581J	5.8	14	60 cm	.035 inch	145 cm	straight and 3 mm J	Antecubital	152272
C-VAEY-581J-SCJ	5.8	14	24 cm	.035 inch	60 cm	straight and 3 mm J	Subclavian and Jugular	155937

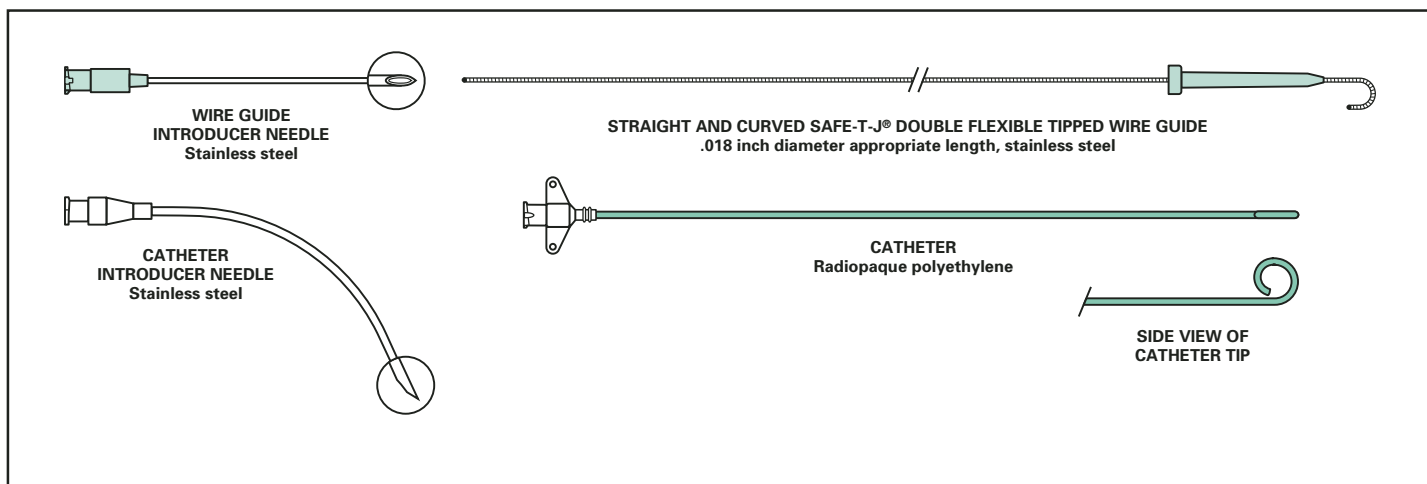
¹**SUGGESTED CATHETER TIP LOCATION FOR VENOUS AIR REMOVAL:** End hole of catheter should be located near the mid-right atrium. Most proximal sideport should be located just above the atrial-caval junction. This top position allows for maximum removal of venous air emboli.

²The Quick Reorder Number is for U.S.A. domestic use only.

**LEFT ATRIAL PRESSURE MONITORING SETS
POLYETHYLENE**



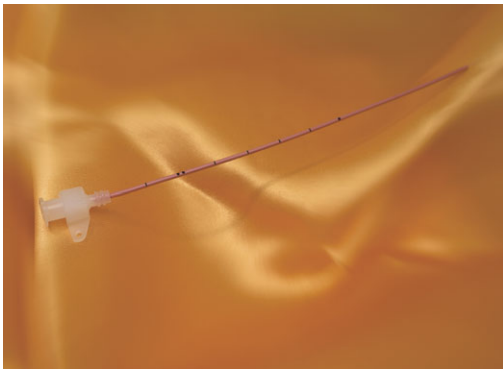
Used for postoperative monitoring of left atrial pressure. Pigtail tip configuration helps to maintain proper catheter tip position in left atrium. Supplied sterile in peel-open packages. Intended for one-time use.



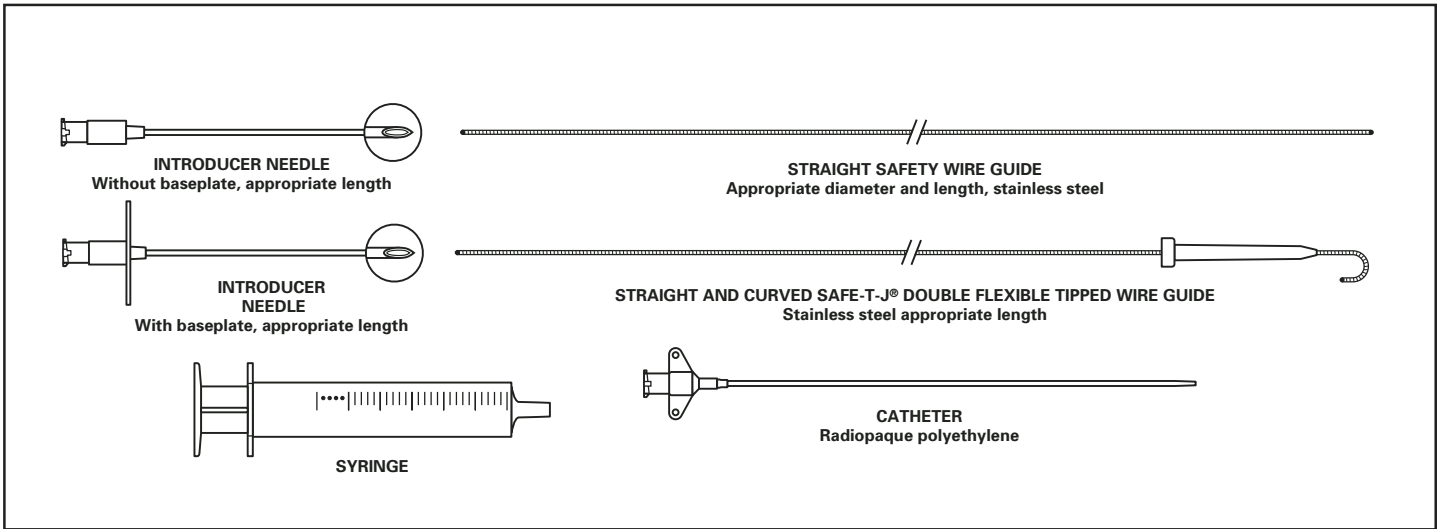
SET ORDER NUMBER	French Size	CATHETER		WIRE GUIDE INTRODUCER NEEDLE		CATHETER INTRODUCER NEEDLE		WIRE GUIDE		Quick Reorder Number ¹
		Equivalent Gage Size	Length	Gage	Length	Gage	Length	Diameter	Type	
Pediatric										
C-LAP-301J-PED	3.0	20	12 cm	21	7 cm	17	7 cm	.018 inch	straight and 3 mm J	078993
Small Adult										
C-LAP-301J-CHD	3.0	20	18 cm	21	7 cm	17	7 cm	.018 inch	straight and 3 mm J	078994
Adult										
C-LAP-301J	3.0	20	28 cm	21	15 cm	17	9 cm	.018 inch	straight and 3 mm J	078992

¹The Quick Reorder Number is for U.S.A. domestic use only.

ARTERIAL PRESSURE MONITORING SETS AND TRAYS POLYETHYLENE



Used for arterial pressure monitoring and blood sampling.
Supplied sterile in peel-open packages. Intended for one-time use.



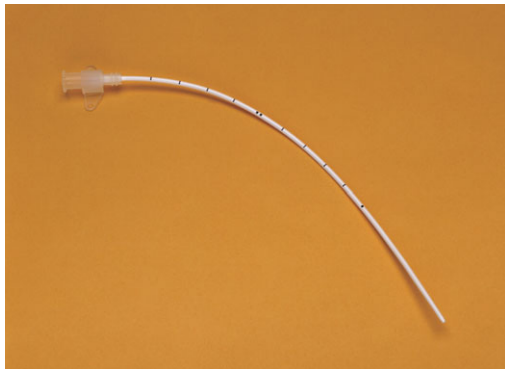
ARTERIAL PRESSURE MONITORING SETS AND TRAYS

POLYETHYLENE

ORDER NUMBER	CATHETER			WIRE GUIDE		NEEDLE		Quick Reorder Number ¹
	French Size	Equivalent Gage Size	Length	Diameter	Type	Type	Gage	
RADIAL ARTERY Sets								
C-PMS-250	2.5	21	2.5 cm	.015 inch	straight	with baseplate	22	101534
C-PMS-250-RA	2.5	21	5 cm	.015 inch	straight	with baseplate	22	104994
C-PMS-251	2.5	21	2.5 cm	.015 inch	straight	without baseplate	22	101276
C-PMS-300-RA	3.0	20	5 cm	.018 inch	straight	with baseplate	21	073764
C-PMS-301-RA	3.0	20	5 cm	.018 inch	straight	without baseplate	21	076337
Trays								
C-PMSY-250	2.5	21	2.5 cm	.015 inch	straight	with baseplate	22	102270
C-PMSY-250-RA	2.5	21	5 cm	.015 inch	straight	with baseplate	22	140659
C-PMSY-251	2.5	21	2.5 cm	.015 inch	straight	without baseplate	22	114299
C-PMSY-300-RA	3.0	20	5 cm	.018 inch	straight	with baseplate	21	073790
C-PMSY-301-RA	3.0	20	5 cm	.018 inch	straight	without baseplate	21	076292
FEMORAL ARTERY Sets								
C-PMS-300-FA	3.0	20	8 cm	.018 inch	straight	with baseplate	21	080727
C-PMS-300J-FA	3.0	20	8 cm	.018 inch	straight and 2 mm J	with baseplate	21	128719
C-PMS-301-FA	3.0	20	8 cm	.018 inch	straight	without baseplate	21	092625
C-PMS-301J-FA	3.0	20	8 cm	.018 inch	straight and 2 mm J	without baseplate	21	098031
C-PMS-400-FA	4.0	18	12 cm	.021 inch	straight	with baseplate	20	073765
C-PMS-400J-FA	4.0	18	12 cm	.021 inch	straight and 2 mm J	with baseplate	20	073766
C-PMS-401-FA	4.0	18	12 cm	.021 inch	straight	without baseplate	20	076460
C-PMS-401J-FA	4.0	18	12 cm	.021 inch	straight and 2 mm J	without baseplate	20	076957
Trays								
C-PMSY-300-FA	3.0	20	8 cm	.018 inch	straight	with baseplate	21	105945
C-PMSY-300J-FA	3.0	20	8 cm	.018 inch	straight and 2 mm J	with baseplate	21	099890
C-PMSY-301-FA	3.0	20	8 cm	.018 inch	straight	without baseplate	21	145056
C-PMSY-301J-FA	3.0	20	8 cm	.018 inch	straight and 2 mm J	without baseplate	21	161639
C-PMSY-400-FA	4.0	18	12 cm	.021 inch	straight	with baseplate	20	073792
C-PMSY-400J-FA	4.0	18	12 cm	.021 inch	straight and 2 mm J	with baseplate	20	073793
C-PMSY-401-FA	4.0	18	12 cm	.021 inch	straight	without baseplate	20	080796
C-PMSY-401J-FA	4.0	18	12 cm	.021 inch	straight and 2 mm J	without baseplate	20	076762

¹The Quick Reorder Number is for U.S.A. domestic use only.

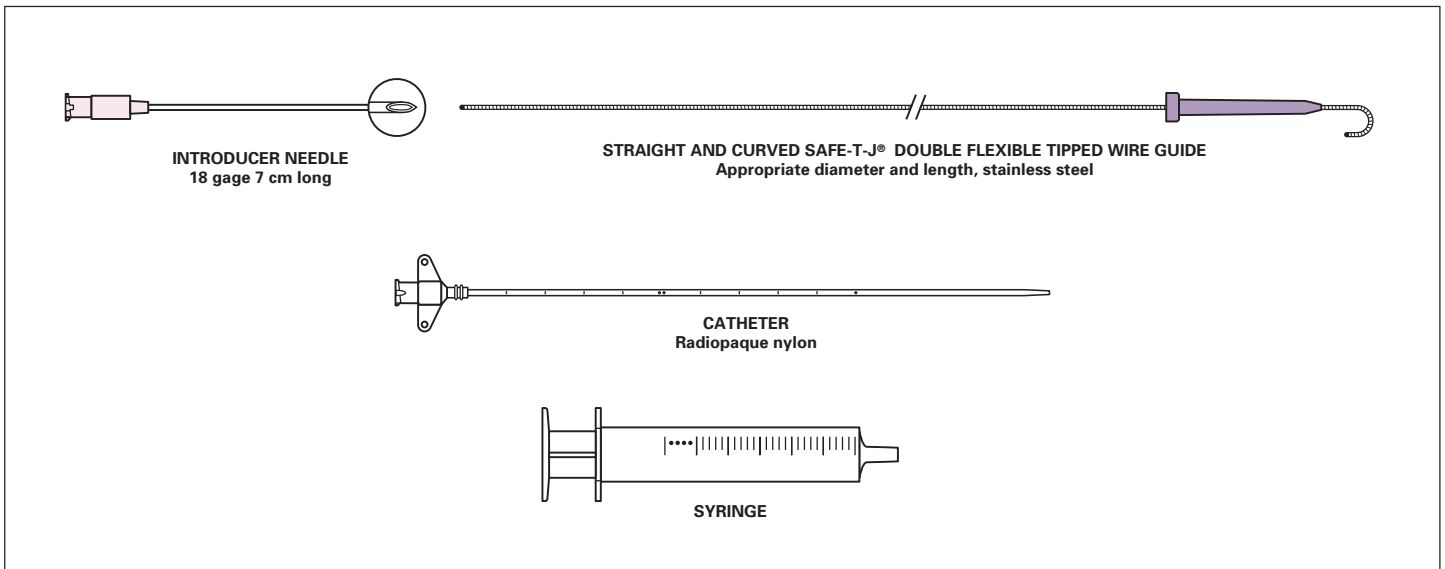
COOK PRESSURE MONITORING CATHETER SETS FEMORAL ARTERY



Used for arterial pressure monitoring and blood sampling.

- Catheter made of extra firm nylon for easier insertion.

Supplied sterile in peel-open packages. Intended for one-time use.



ORDER NUMBER	CATHETER			WIRE GUIDE		Quick Reorder Number ¹
	French Size	Equivalent Gage Size	Length	Diameter	Type	
C-NPMS-501J-15	5.0	16	15 cm	.035 inch	straight and 3 mm J	264750
C-NPMS-501J-20	5.0	16	20 cm	.035 inch	straight and 3 mm J	264752
C-NPMS-501J-25	5.0	16	25 cm	.035 inch	straight and 3 mm J	269616

¹The Quick Reorder Number is for U.S.A. domestic use only.

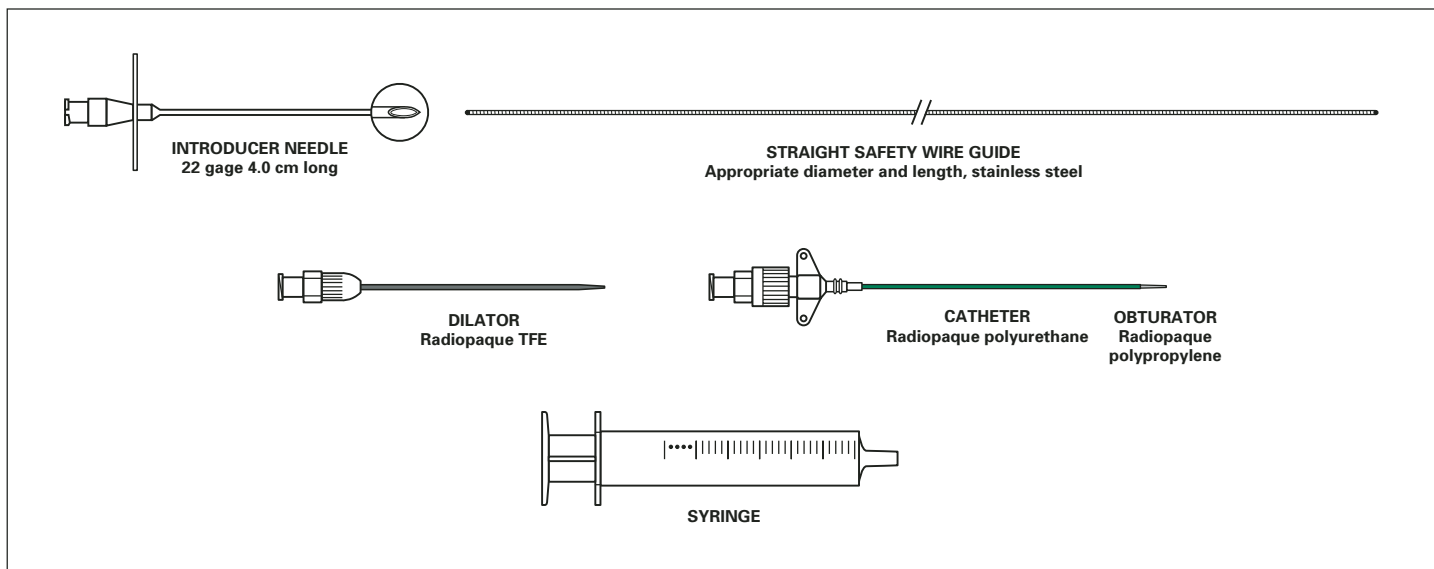
COOK PRESSURE MONITORING CATHETER SET MAXIMUM FLEXIBILITY



Used for arterial pressure monitoring and blood sampling.

- Features a uniquely fabricated catheter designed to provide maximum flexibility without kinking or compression.

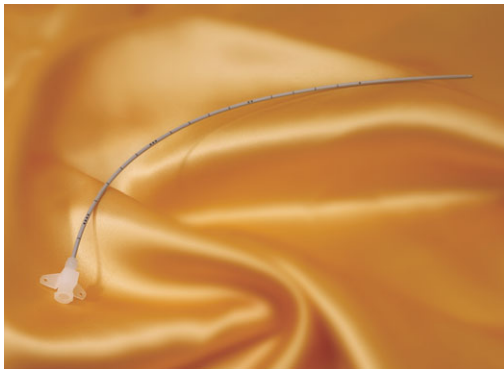
Supplied sterile in peel-open packages.
Intended for one-time use.



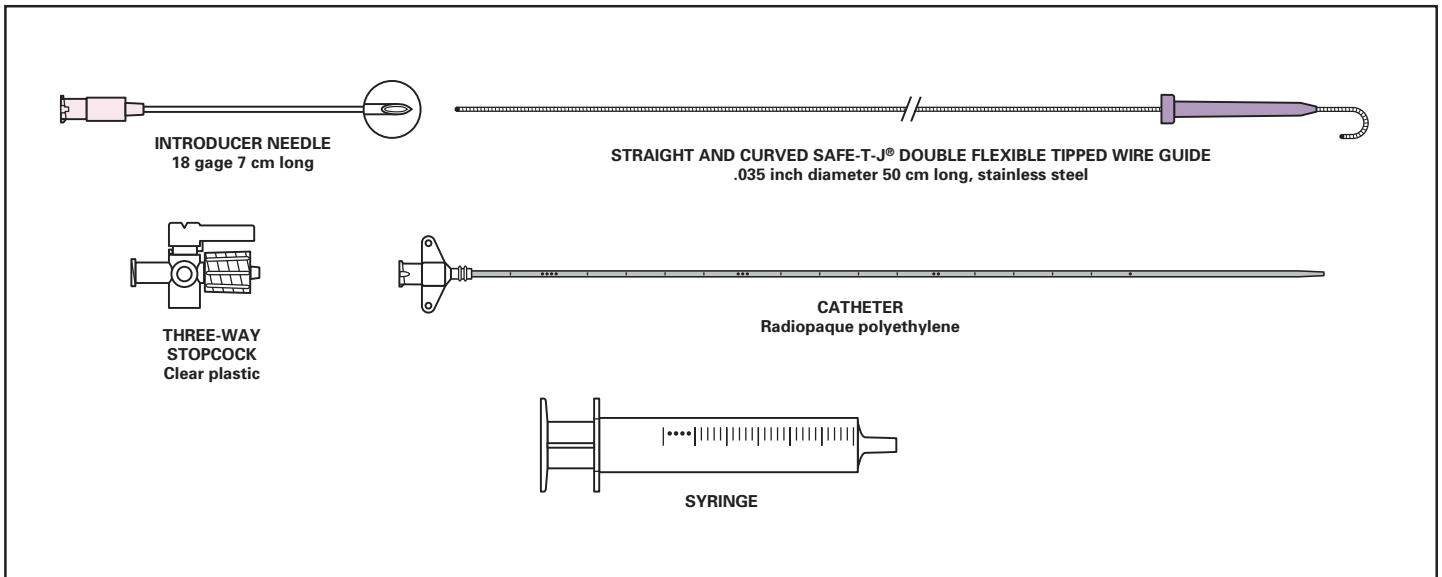
ORDER NUMBER	CATHETER			WIRE GUIDE		Quick Reorder Number ¹
	French Size	Equivalent Gage Size	Length	Diameter	Type	
C-KPMS-300	3.0	20	7.5 cm	.015 inch	straight	270232

¹The Quick Reorder Number is for U.S.A. domestic use only.

**FEMORAL/DISTAL AORTIC PRESSURE MONITORING SET AND TRAY
POLYETHYLENE**



Used for monitoring pressures and blood sampling from distal aorta. The catheter length permits percutaneous placement from femoral artery access site. Supplied sterile in peel-open packages. Intended for one-time use.



ORDER NUMBER	French Size	CATHETER		WIRE GUIDE		NEEDLE	Quick Reorder Number ¹
		Equivalent Gage Size	Length	Diameter	Type	Gage	
Set							
C-PMS-501J-DAP	5.0	16	22 cm	.035 inch	straight and 3 mm J	18T	145193
Tray							
C-PMSY-501J-DAP	5.0	16	22 cm	.035 inch	straight and 3 mm J	18T	145194

¹The Quick Reorder Number is for U.S.A. domestic use only.

COOK®

Interventional Critical Care Products

www.cookgroup.com

COOK CRITICAL CARE

P.O. Box 489, Bloomington, IN 47402-0489 U.S.A.
Phone: 812 339-2235, Toll Free: 800 457-4500, Toll Free FAX: 800 554-8335

COOK (CANADA) INC.

111 Sandiford Drive, Stouffville, Ontario, L4A 7X5 CANADA
Phone: 905 640-7110, Toll Free: 800 668-0300

WILLIAM A. COOK AUSTRALIA PTY. LTD.

Brisbane Technology Park, 12 Electronics Street, Eight Mile Plains
Brisbane, QLD 4113 AUSTRALIA, Phone: +61 7 38 41 11 88

WILLIAM COOK EUROPE ApS

Sandet 6, DK-4632, Bjaeverskov, DENMARK, Phone: +45 56 86 86 86

© COPYRIGHT COOK INCORPORATED 2002

C-CVCB602