

Endoscopy

2018-19 Product Catalog

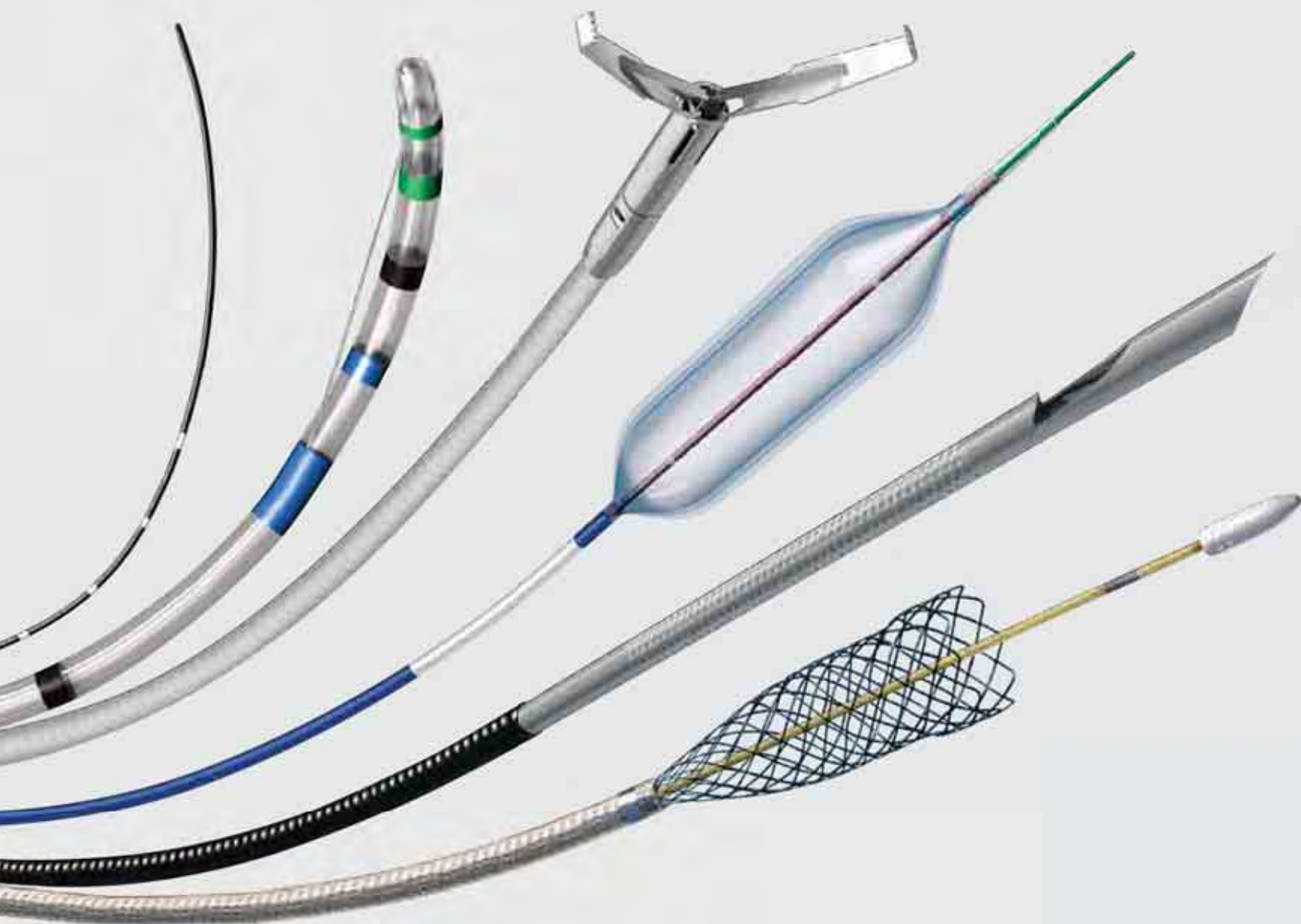


Table of Contents

General Information5

Fusion Dual Platform

Wire Guide Locking Device

Fusion® Wire Guide Locking Device..... 11

Wire Guides

Fusion® Wire Guide 12

Fusion® LoopTip™ Wire Guide..... 13

Sphincterotomes

Fusion® OMNI™ Sphincterotome with DomeTip® 14

Fusion® IDE-Tome Sphincterotome with DomeTip® 15

Fusion® Needle Knife 16

Catheters

Fusion® OMNI™ ERCP Catheter with DomeTip®..... 17

Fusion® ERCP Catheter with DomeTip® 18

Extraction

Fusion Quattro® Extraction Balloon 19

Fusion® Extraction Balloon 20

Fusion® Lithotripsy Extraction Basket 21

Fusion® Extraction Basket 22

Dilation

Fusion® Titan™ Biliary Dilation Balloon 23

Fusion® Biliary Dilation Catheter..... 24

Cytology

Fusion® Cytology Brush 25

Plastic Stents

Fusion OASIS® One Action Stent Introduction System..... 26

Fusion® Pushing Catheter..... 27

Biliary/Pancreatic

Wire Guides

Acrobat® 2 Calibrated Tip Wire Guide..... 29

Tracer Metro® Direct™ Wire Guide 30

Fusion® Wire Guide 31

Fusion® LoopTip™ Wire Guide..... 32

Roadrunner® Extra Support Wire Guide..... 33

Delta Wire® Fully Hydrophilic Coated Wire..... 34

Standard Wire Guide..... 35

Sphincterotomes

Fusion® OMNI™ Sphincterotome with DomeTip® .. 36

Fusion® IDE-Tome Sphincterotome with DomeTip® 37

D.A.S.H.® Sphincterotome with DomeTip® 38

Tri-Tome pc® Triple Lumen Sphincterotome 39

Cannulotome II® Double Lumen Sphincterotome.... 40

Cotton CannulaTome II® PreCurved Double Lumen Sphincterotome..... 41

Classic Cotton® CannulaTome® 42

UTS® Ultra Taper Sphincterotome 43

Billroth II Sphincterotome..... 44

Fusion® Needle Knife 45

Huibregtse® Single Lumen Needle Knife..... 46

Huibregtse® Triple Lumen Needle Knife..... 47

Zimmon® Needle Knife Papillotome 48

Catheters

Fusion® OMNI™ ERCP Catheter with DomeTip® 49

Fusion® ERCP Catheter with DomeTip® 50

Glo-Tip II® Double Lumen ERCP Catheter 51

Glo-Tip II® Double Lumen ERCP Catheter with Radiopaque Bands..... 52

Glo-Tip® ERCP Catheter..... 53

Glo-Tip® ERCP Catheter with Radiopaque Bands 54

Classic ERCP Catheter 55

Huibregtse-Katon® ERCP Catheter	56
Haber RAMP™ Catheter	57
Side Arm Adapter	58

Extraction

Fusion Quattro® Extraction Balloon	59
Fusion® Extraction Balloon.....	60
Tri-Ex® Multiple Size Extraction Balloon	61
Tri-Ex® Triple Lumen Extraction Balloon	62
Escort II® Double Lumen Extraction Balloon.....	63
D.A.S.H.® Extraction Balloon with Multiple Sizing ...	64
Fusion® Lithotripsy Extraction Basket.....	65
Fusion® Extraction Basket	66
The Web® Extraction Basket.....	67
Memory Basket® 7 Fr Soft Wire	68
The Web® II Double Lumen Extraction Basket.....	69
Memory Basket® 5 Fr Soft Wire	70
Memory Basket® 7 Fr Hard Wire.....	71
Memory Basket® Eight Wire.....	72
Mini Basket	73
Conquest TTC® Lithotripter Cable	74
Soehendra® Lithotripter	75

Dilation

Fusion® Titan™ Biliary Dilation Balloon	76
Quantum TTC® Biliary Balloon Dilator.....	77
Quantum™ Biliary Inflation Device	78
Cook Sphere® Inflation Device	79
Fusion® Biliary Dilation Catheter	80
Cotton® Graduated Dilation Catheter.....	81
Geenen® Graduated Dilation Catheter	82
Soehendra® Biliary Dilation Catheter	83

Cytology

Fusion® Cytology Brush	84
CytoMax II® Double Lumen Cytology Brush	85
Howell Biliary Aspiration Needle.....	86

Drainage

Nasal Biliary Drainage Sets.....	87
Nasal Pancreatic Drainage Set.....	88
Cystotome™ Cystoenterostomy Needle Knife	89

Manometry

Lehman Sphincter of Oddi Manometry Catheter	90
---	----

Metal Stents

Evolution® Biliary Controlled-Release Stent - Uncovered.....	91
Evolution® Biliary Controlled-Release Stent - Fully Covered.....	92
Evolution® Biliary Controlled-Release Stent - Partially Covered	93
Zilver 635® Biliary Self-Expanding Stent	94
Zilver® Biliary Self-Expanding Stent.....	95

Plastic Stents

Fusion OASIS® One Action Stent Introduction System.....	96
Fusion® Pushing Catheter.....	97
OASIS® One Action Stent Introduction System	98
Huibregtse® Guiding Catheter	99
Stent Introducer Sets	100
Oasis® One Action Stent Introduction System Preloaded with Cotton-Leung® Biliary Stent.....	101
Oasis® One Action Stent Introduction System Preloaded with ST-2 Soehendra Tannenbaum® Biliary Stent	102
Compass BDS™ Biliary Plastic Stent.....	103
Cotton-Huibregtse® Biliary Stent Sets.....	104
Cotton-Huibregtse® Biliary Stent Only.....	106
Cotton-Leung® Biliary Stent Sets	108
Cotton-Leung® Biliary Stent only	111
Cotton-Leung® Sof-Flex® Biliary Stent	114
ST-2 Soehendra Tannenbaum® Biliary Stent.....	115
Solus® Double Pigtail Stent with Introducer	117
Zimmon® Biliary Stent Sets.....	118
Zimmon® Biliary Stent only.....	120
Geenen® Pancreatic Stent Sets.....	122
Geenen® Pancreatic Stent only.....	125

Geenen® Pancreatic Stent Sets with No Internal Flap	128
Geenen® Pancreatic Stent only with No Internal Flap	129
Geenen® Sof-Flex® Pancreatic Stent.....	130
Geenen® Sof-Flex® Pancreatic Stent with No Internal Flap	131
Zimmon® Pancreatic Stent with No Ductal Flap.....	132
Zimmon® Pancreatic Stent Sets	133
Zimmon® Pancreatic Stent only	134
Zimmon® Pancreatic Stent Sets	135
Zimmon® Pancreatic Stent only	136
Zimmon® Pancreatic Stent.....	137
Johlin™ Pancreatic Wedge Stent	139
Soehendra® Stent Retriever	140

Endoscopic Ultrasound

Needles

EchoTip ProCore® HD Ultrasound Biopsy Needle.....	141
EchoTip® Ultra Endoscopic Ultrasound Needle.....	142
EchoTip® Ultra Fiducial Needle	143
EchoTip® Ultra Celiac Plexus Neurolysis Needle	144
EchoTip® Ultra HD Ultrasound Access Needle	145
EchoTip® Ultra Endobronchial HD Ultrasound Needle.....	146
EchoTip ProCore® Endobronchial HD Ultrasound Biopsy Needle.....	147

Hemostasis

Spray

Hemospray® Endoscopic Hemostat	149
--------------------------------------	-----

Clips

Instinct™ Endoscopic Hemoclip.....	150
------------------------------------	-----

Ligation

6 Shooter® Universal Saeed Multi-Band Ligator.....	151
6 Shooter® Saeed Multi-Band Ligator	152

ShortShot® Saeed Hemorrhoidal Multi-Band Ligator with TriView® Anoscope	153
--	-----

Probes

Quicksilver® BiPolar Probe	154
----------------------------------	-----

Needles

AcuJect® Variable Injection Needle	155
Disposable Varices Injector.....	156

Esophageal/Gastric/Colonic

EMR

Duette® Multi-Band Mucosectomy	157
--------------------------------------	-----

Forceps

Captura® Pro™ Biopsy Forceps.....	158
Captura® Biopsy Forceps	160
Captura® Disposable Hot Biopsy Forceps.....	163
Caesar® Grasping Forceps.....	164

Snares

AcuSnare® Polypectomy Device.....	165
AcuSnare® Polypectomy Device - Duck Bill.....	167
AcuSnare® Polypectomy Device - Needle Tip.....	168
Memory Basket® Polyp Retriever	169

Dilation

Hercules® 3 Stage Balloon.....	170
Hercules® 3 Stage Wire Guided Balloon.....	171
Quantum TTC® Balloon Dilator	172
Cook Sphere® Inflation Device	174
Quantum™ Inflation Device	175
Dilation Syringe	176
Eclipse™ TTC Wire-Guided Balloon Dilator	177
Savary Cleaning Brush	178
Savary-Gilliard® Dilator	179
Savary-Gilliard® Dilator Sets.....	180
Savary-Gilliard® Wire Guide.....	181
Achalasia Balloon	182

Cytology		
Cytology Brush	183	
Decompression		
14 Fr Colon Decompression Set	184	
Marcon Colon Decompression Set	185	
Metal Stents		
Evolution® Esophageal Controlled-Release Stent - Partially Covered	186	
Evolution® Esophageal Controlled-Release Stent - Fully Covered for Benign Indication	187	
Evolution® Esophageal Controlled-Release Stent - Fully Covered	188	
Evolution® Duodenal Controlled-Release Stent - Uncovered	189	
Evolution® Colonic Controlled-Release Stent - Uncovered	190	
Spray Catheter		
Glo-Tip® Spray Catheter	191	
Pulmonary		
Forceps		
Captura® Disposable Bronchoscope Biopsy Forceps	193	
Cytology Brush		
Cytology Brush	194	
Enteral		
PEG/PEGJ		
Entuit® Gastrostomy BR Balloon Retention Feeding Tube	195	
PEG 24® Push Method with Safety Sharps	197	
PEG 24® Pull Method with Safety Sharps	198	
Flow 20® Push Method with Safety Sharps	199	
Flow 20® Pull Method with Safety Sharps	200	
PEG 24® Push Method	201	
PEG 24® Pull Method	202	
Flow 20® Push Method	203	
		Flow 20® Pull Method
		PEG 24® Jejunal
		Flow 20® Jejunal
		Nasal Jejunal Feeding Tube
		Universal and Bolus Feeding Adapters
		Miscellaneous
		Diverticulum Overtube
		Zenker's Diverticulum Overtube
		Long Length Devices
		Classic Cotton® CannulaTome®
		Zimmon® Needle Knife Papillotome
		Tri-Ex® Multiple Size Extraction Balloon
		Soehendra® Biliary Dilation Catheter
		Glo-Tip® ERCP Catheter
		Tracer Metro® Direct™ Wire Guide
		OASIS® One Action Stent Introduction System
		Stent Introducer Sets
		Quantum TTC® Biliary Balloon Dilator
		Disposable Varices Injector
		Cleaning Brushes
		Disposable Endoscopic Cleaning Brush
		Active Cord
		Active Cord
		Quick Reference

General Information

How to Place an Order

All orders are processed by the appropriate Cook customer service center below, as determined by your location. **Please note: Not all products are available for sale in all regions. Please contact your local customer service center for more information.**

Customer Service Centers

Americas

Orders should be directed to Cook Medical Incorporated by mail, phone, fax, e-mail or EDI.

Cook Medical Incorporated

PO Box 4195
Bloomington, IN 47402-4195, USA
Phone: 812.339.2235
800.457.4500
Fax: 800.554.8335
E-mail: orders@cookmedical.com
EDI: cookmedical.com/edi.do

Customer service lines (800.457.4500) are available weekdays (excluding national holidays) between the hours of 8:00 am and 7:00 pm EST.

Australia

Orders should be directed to Cook Medical Australia Pty. Ltd. by mail, phone, fax or e-mail.

Cook Medical Australia Pty. Ltd.

Brisbane Technology Park
95 Brandl Street, Eight Mile Plains
Brisbane, QLD 4113 AUSTRALIA
Phone: +61 734346000
1800777222
Fax: 1800077283
E-mail: cau.custserv@cookmedical.com
E-mail: cau.intl@cookmedical.com

Customer service phone lines are available (excluding national holidays) weekdays between the hours of 07:00 and 17:00 AEST.

Europe

Orders should be directed to Cook Europe Shared Service Centre by mail, phone, fax, e-mail or EDI.

Cook Europe Shared Service Centre

O'Halloran Road
National Technology Park
Limerick, Ireland
Phone: +353 61 334440
Fax: +353 61 334441
E-mail: EMEAenquiry@CookMedical.com
EDI: cookmedical.eu/edi.do

Customer service lines are available (excluding national holidays) Monday through Thursday between the hours of 08:00 GMT and 17:00 GMT, and from 08:00 GMT to 16:00 GMT on Fridays.

Shared Service Centre by Country:

Country	Phone	Fax	E-mail
Austria	+43 179567121	+43 179567126	oe.orders@cookmedical.com
Belgium/French	+32 27001633	+32 27001634	be.orders@cookmedical.com
Belgium/Flemish	+32 27001633	+32 27001634	nl.orders@cookmedical.com
Denmark	+45 38487607	+45 38487608	da.orders@cookmedical.com
Distributors	+353 61239240	+353 61239227	ssc.distributors@cookmedical.com
Finland	+358 9 7251 9996	+358 9 7251 9997	fi.orders@cookmedical.com
France	+33 171230269	+33 171230270	fr.orders@cookmedical.com
Germany	+49 6950072804	+49 6950072805	de.orders@cookmedical.com
Hungary	+36 17779199	+36 17779200	hu.orders@cookmedical.com
Iceland	+800-7615	+800-7616	is.orders@cookmedical.com
Ireland	+353 61239252	+353 61239253	ie.orders@cookmedical.com
Italy	+39 0269682853	+39 0269682854	it.orders@cookmedical.com
Netherlands	+31 202013367	+31 202013368	nl.orders@cookmedical.com
Norway	+47 23162968	+47 23162969	no.orders@cookmedical.com
Spain	+34 912702691	+34 912702692	es.orders@cookmedical.com
Sweden	+46 858769468	+46 858769467	se.orders@cookmedical.com
Switzerland/French	+41 448009609	+41 448009610	fr.orders@cookmedical.com
Switzerland/Italian	+41 448009609	+41 448009610	it.orders@cookmedical.com
Switzerland/German	+41 448009609	+41 448009610	de.orders@cookmedical.com
United Kingdom	+44 2073654183	+44 2073654184	uk.orders@cookmedical.com

Customer service lines are available (excluding national holidays)
Monday through Thursday between the hours of 08:00 GMT and
17:00 GMT, and from 08:00 GMT to 16:00 GMT on Fridays.

**Please note: For all other countries, contact the nearest
customer service center, your local Cook Medical representative
or distributor.**

Healthcare Business Solutions

Cook Medical's Healthcare Business Solutions (HBS) team is available to collaborate with you to address your hospital's specific needs and help you achieve maximum business performance. We have identified significant opportunities to improve supply challenges by streamlining operations, standardizing your products and optimizing utilization of existing resources. For more information, please contact us at 800.457.4500 or hbs@cookmedical.com (U.S. only). For customers outside the U.S., please contact your local customer service center to be connected with the appropriate HBS contact.

Order Number

Every catalog item has both a six-character order number and a reference part number. Either of these numbers can be used when placing orders.

Special Order Items (Non-Stock)

Cook manufactures special order (nonstock) items to help meet your institution's individual needs. These items may be subject to a price increase and a minimum order quantity to cover order processing considerations. Please note: Special order items are nonreturnable and require longer lead times.

EDI Ordering

By ordering through Cook's EDI system, you can eliminate document rekeying and paper, and reduce ordering lead time, stock handling and many other manual processes. Using your Cook customer account and global product number, we work directly with you or your distributor to provide start-to-finish electronic ordering. For more information on EDI connection protocols, please contact us at 800.457.4500 ext. 6353 or ediadmin@cookmedical.com (U.S. only). For customers outside the U.S., please contact your local customer service center to determine whether EDI is available in your area.

Shipments and Terms

Delivery Information and Fees

North America

Items are normally shipped Federal Express standard overnight or UPS. There are no shipping charges associated with orders of \$200 or more. Domestic orders less than \$200, priority shipments and all international shipments are shipped FOB Bloomington, Indiana. Terms are net 30 days. All prices are subject to change without notice.

Latin America

Please consult your local Cook Medical representative or distributor.

Europe

Orders for stock items are usually shipped on the day of order confirmation. Nonstock items will be subject to longer delivery times. For standard delivery terms, please refer to your local customer service center. Express deliveries of stock items can be arranged for and will be subject to additional freight charges. For European shipping terms, please refer to the relevant country's standard business procedures or contact your local customer service office.

Australia

Stock item orders are usually shipped within 48 hours. Nonstock item orders will be subject to longer lead times. There are no shipping charges associated with orders of a net value of \$500 (AUD) or greater; a \$30 + GST charge will be placed on orders with a net value below \$500 (AUD). Urgent deliveries of stock items can be arranged by contacting Customer Service by telephone and may be subject to additional handling and delivery charges. Terms are 30 days net from the end of the invoice month. For full terms, please contact customer service at cau.custserv@cookmedical.com.

Asia Pacific

Please consult your local Cook Medical representative or distributor.

Standing Order Shipments

The standing order shipments (SOS) program simplifies ordering and shipping of regularly purchased products. Products ordered routinely and in predictable quantities, or special order (nonstock) products needed on a regular basis can be scheduled to ship monthly or at a different interval of your choice. This ensures that your order will be received routinely at the designated time. If you are overstocked and do not need your next SOS shipment, simply call 30 days prior to the scheduled ship date and have the order held until your next scheduled shipment. As a customer of the SOS program, your pricing is held firm for the 12-month period from when you first start ordering, during which time you are protected from price increases. The SOS program is not a contract and can be cancelled in its entirety with a 30-day notice prior to your next scheduled shipment. If you would like to know more about our standing order shipments program, or if you are interested in establishing an SOS order, please contact your local customer service center or your Cook representative.

Returned Goods Policy

Cook will accept return of any stock item within 90 days of the original invoice date; however, we will not accept return of nonstock items. Prior authorization for all returned items is required. To obtain a return authorization number, contact your local customer service center or distributor. A request for return of products must specify reason for return, order number, quantity, lot number and invoice number. All returned products must be received in their original, unopened packages,

undamaged and packed appropriately for shipping. Items must be in salable condition and suitable for restocking. Returned products must be accompanied by the original order invoice, packing slip or facsimile. Returned items may be subject to a reprocessing charge that varies by geographic location. Full credit will be given for any item returned due to a processing error by Cook. Packages returned to Cook should be marked with the return authorization number on the outside of the package and shipped to the appropriate Cook location to the attention of Returned Goods.

Product Information

Product Use Information

For information concerning indications, contraindications, warnings, precautions and suggested instructions for use, refer to appropriate product-specific labeling.

Product Testing

All products for embryo culture, embryo transfer, gamete intrafallopian transfer, micro-manipulation and ovum aspiration are batch tested for toxicity using one- or two-cell mouse embryo assay (MEA) and endotoxin tested using limulus amoebocyte lysate (LAL) assay unless otherwise noted. Please refer to packaging label for specific testing information.

Packaging and Sterilization Notice

All products are supplied sterile in peel-open packages and are intended for one-time use unless otherwise noted.

Product Storage

Cook products should be stored in a dark, cool and dry place or refrigerated where indicated. Extended periods of exposure to light may result in degradation of some plastic materials and should be avoided. Extended periods of elevated temperature can reduce a product's shelf life and should also be avoided.

Product Expiration

Most Cook products carry an expiration date on the label that is based on concerns for product integrity. The expiration date is typically given as year/month or year/month/day and indicates the date by which the product should be used. Use during the month or day indicated is acceptable.

Product Changes

Cook reserves the right to change or discontinue any product without notice; however, we can recommend alternatives if one of your products has been discontinued.

Product Warranty




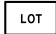





Cook warrants that at the time of manufacture, products were prepared and tested in accordance with quality system regulations specified by the appropriate global regulatory body and were true to label. Because of biological differences in individuals, no product is 100% effective under all circumstances. In addition, because we have no control of the conditions under which the product is used, diagnosis of the patient, and the method of use or administration and handling of the product after it leaves our possession, we do not warrant either a good effect or against an ill effect following the product's use. The foregoing warranty is exclusive and in lieu of all other warranties either written, oral or implied (including any warranties of merchantability or fitness for purpose). No representative of the company may change any of the foregoing, and the buyer accepts the product subject to all terms hereof.

Product Performance

Cook is dedicated to providing our customers with excellent quality products delivered in a manner that meets their needs and expectations. However, we understand that in some cases, a service or product quality issue may occur. In these situations, it is requested that the customer communicate the issue to the Cook customer relations department. Customers outside of the U.S. should contact their local Customer Service department or distributor. If product is to be returned as a result of any failure to meet customer expectations, the appropriate return address and shipping information will be provided.

Product Label

The information provided below is an explanation of reference symbols that can be found on a product label.

-  Catalog/Reference Part Number and Order Number
-  Non-sterile
-  Sterilization using ethylene oxide.
-  Manufacturer's Lot Number.
-  Date of Manufacture
-  Manufacturer
-  Use-by-Date
-  Do Not Reuse/Single Use Only (for disposable one-time use products)
-  Caution, Consult Instructions For Use

-  Consult Instructions For Use
-  Authorized representative in the European Union
-  Keep Away from Sunlight
-  Keep Dry
-  Phthalate
-  MR Conditional
-  Product Contains Latex
-  Not Lithotripsy Compatible
-  Wire Guide Compatibility
-  Maximum Insertion Portion Width
-  Minimum Accessory Channel
-  Quantity Per Box

Order Number Description

Products may be ordered using the Order Number (Global Part Number) as well as the traditional Reference Part Number. A sample of the ordering information is below.

Order Number	Reference Part Number
G48675	FS-OMNI-21
G56103	FS-OMNI-21-260
G48676	FS-OMNI-21-480
G31903	FS-OMNI
G31911	FS-OMNI-35

Mark V System

All Cook products with the Mark V System have markings in 5 cm increments for endoscopic visualization.

Color Connection

Cook developed the unique Color Connection method to provide instant recognition of compatible devices placed over specific-size wire guides.

Wire guide holders and accompanying devices display a corresponding color band. Employing a compatible, color-coded wire guide and accessory allows for smoother, more organized delivery of your over-the-wire accessories and the potential for improved patient care.

Fusion Dual Platform



Fusion Dual Platform

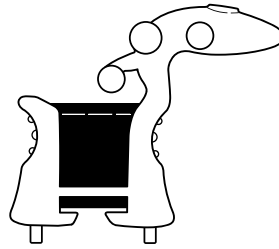
Fusion Dual Platform

Wire Guide Locking Device	11
Wire Guides	12
Sphincterotomes.....	14
Catheters.....	17
Extraction.....	19
Dilation	23
Cytology	25
Plastic Stents.....	26



Fusion® Wire Guide Locking Device

Used with endoscopic biliary devices to lock wire guide(s) in place during ERCP procedures.



Order Number	Reference Part Number	Scope Compatibility	Box Quantity
G31522	FS-WL-O-S	Olympus® Fujinon®	10
G31540	FS-WL-P-S	Pentax®	10

Some products or part numbers may not be available in all markets. Contact your local Cook representative or Customer Service for details regarding: stock/non-stock status (expect longer lead time if non-stock), pricing and/or availability.

Olympus® is a registered trademark of Olympus Corporation (Tokyo, Japan), Olympus America Inc. or their affiliated entities.

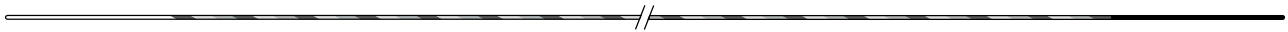
Fujinon® is a registered trademark of Fujinon Inc.

Pentax® is a registered trademark of Pentax Imaging Company.



Fusion® Wire Guide

Used to assist in cannulation of the biliary and pancreatic ducts and to aid in bridging difficult strictures during ERCP.



Order Number	Reference Part Number	Wire Guide Diameter inch	Wire Guide Length cm	Radiopaque Tip Length cm	Hydrophilic Coating Length cm	Tip Shape
G31910	FSW-35	.035	205	5	5	straight

Some products or part numbers may not be available in all markets. Contact your local Cook representative or Customer Service for details regarding: stock/non-stock status (expect longer lead time if non-stock), pricing and/or availability.

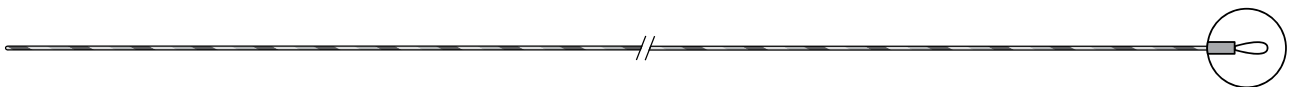
May be left in place during sphincterotomy.

Caution: Not for use with metal tip devices.



Fusion® LoopTip™ Wire Guide

Used to assist in cannulation of the biliary and pancreatic ducts and to aid in bridging difficult strictures during ERCP.

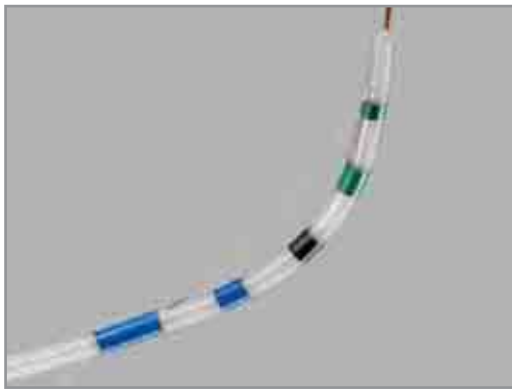


Order Number	Reference Part Number	Wire Guide Diameter inch	Wire Guide Length cm	LoopTip Size mm
G50975	FS-LT-35-205	.035	205	2 x 4
G50976	FS-LT-35-260	.035	260	2 x 4
G50977	FS-LT-35-480	.035	480	2 x 4

Some products or part numbers may not be available in all markets. Contact your local Cook representative or Customer Service for details regarding: stock/non-stock status (expect longer lead time if non-stock), pricing and/or availability.

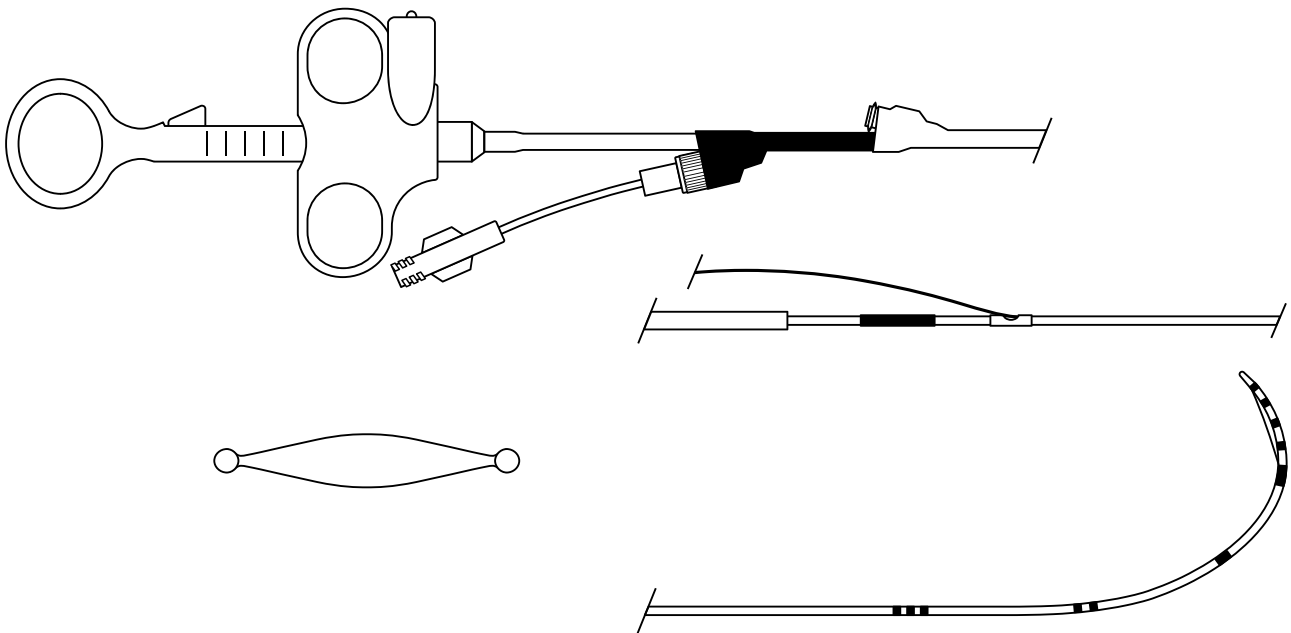
May be left in place during sphincterotomy.

Caution: Not for use with metal tip devices.



Fusion® OMNI™ Sphincterotome with DomeTip®

Used for cannulation of the ductal system and for sphincterotomy. If preloaded, also aids in bridging difficult strictures during ERCP.



Order Number	Reference Part Number	Catheter Size Fr	Tip Shape	Wire Guide Diameter inch	Wire Guide Length cm	Preloaded Wire Guide	Monofilament Cutting Wire Length mm	Minimum Accessory Channel mm
G48675	FS-OMNI-21	5.5	DomeTip	.021	n/a	n/a	25	2.8
G56103	FS-OMNI-21-260	5.5	DomeTip	.021	260	Tracer Metro Direct	25	2.8
G48676	FS-OMNI-21-480	5.5	DomeTip	.021	480	Tracer Metro Direct	25	2.8
G31903	FS-OMNI	7	DomeTip	.035	n/a	n/a	25	3.2
G31911	FS-OMNI-35	7	DomeTip	.035	205	Fusion	25	3.2
G55814	FS-OMNI-35-260	7	DomeTip	.035	260	Tracer Metro Direct	25	3.2
G55815	FS-OMNI-35-480	7	DomeTip	.035	480	Tracer Metro Direct	25	3.2
G34601	FS-OMNI-ACRO-35-205	7	DomeTip	.035	205	Acrobat	25	3.2
G34693	FS-OMNI-ACRO-35-260	7	DomeTip	.035	260	Acrobat	25	3.2
G34711	FS-OMNI-ACRO-35-450	7	DomeTip	.035	450	Acrobat	25	3.2

Some products or part numbers may not be available in all markets. Contact your local Cook representative or Customer Service for details regarding: stock/non-stock status (expect longer lead time if non-stock), pricing and/or availability.

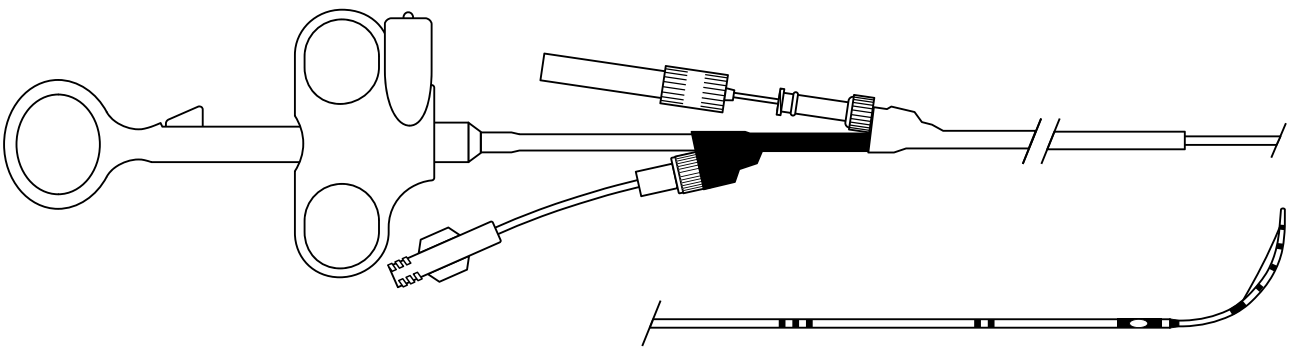
Active cord (page 214) available separately.

Catheter length 190 cm.



Fusion® IDE-Tome Sphincterotome with DomeTip®

Used for cannulation of the ductal system and for sphincterotomy.



Order Number	Reference Part Number	Catheter Size Fr	Tip Shape	Catheter Length cm	Wire Guide Diameter inch	Monofilament Cutting Wire Length mm	Minimum Accessory Channel mm
G31533	FS-25M-35	7	DomeTip	200	.035	25	4.2

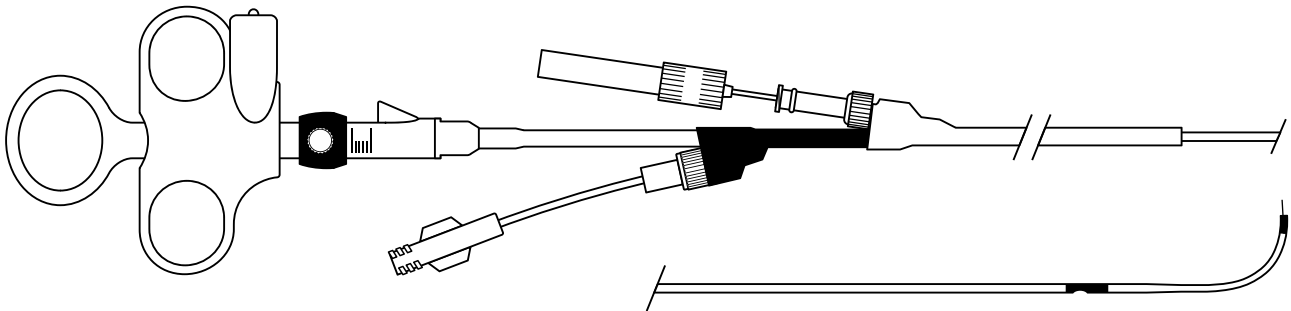
Some products or part numbers may not be available in all markets. Contact your local Cook representative or Customer Service for details regarding: stock/non-stock status (expect longer lead time if non-stock), pricing and/or availability.

Active cord (page 214) available separately.



Fusion® Needle Knife

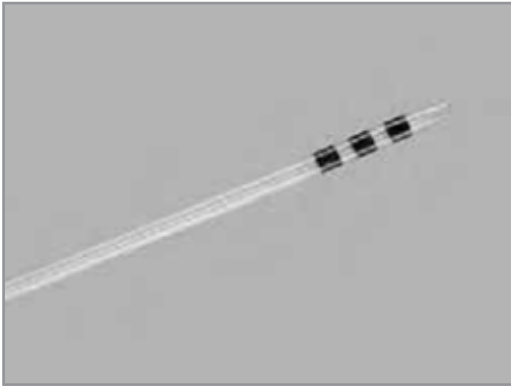
Used for accessing the common bile duct when standard cannulation methods have been exhausted.



Order Number	Reference Part Number	Catheter Size Fr	Catheter Tip Size Fr	Catheter Length cm	Wire Guide Diameter inch	Cutting Wire Length mm	Minimum Accessory Channel mm
G31539	FS-PRE CUT	7	6	200	.035	4	4.2

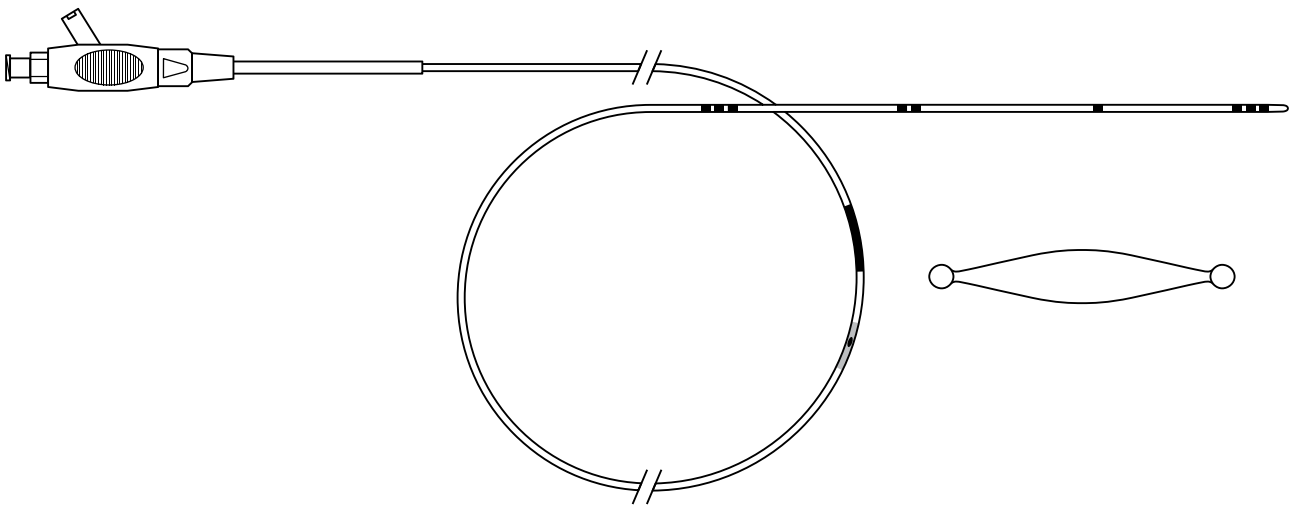
Some products or part numbers may not be available in all markets. Contact your local Cook representative or Customer Service for details regarding: stock/non-stock status (expect longer lead time if non-stock), pricing and/or availability.

Active cord (page 214) available separately.



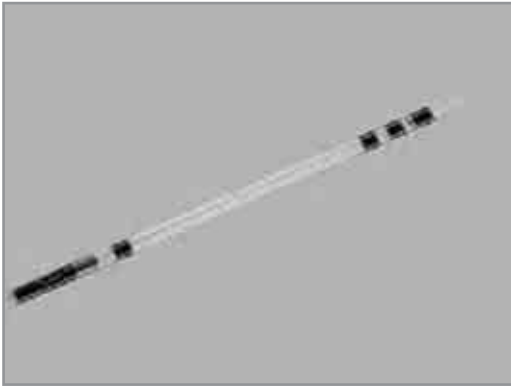
Fusion® OMNI™ ERCP Catheter with DomeTip®

Used for endoscopic cannulation of the ductal system.



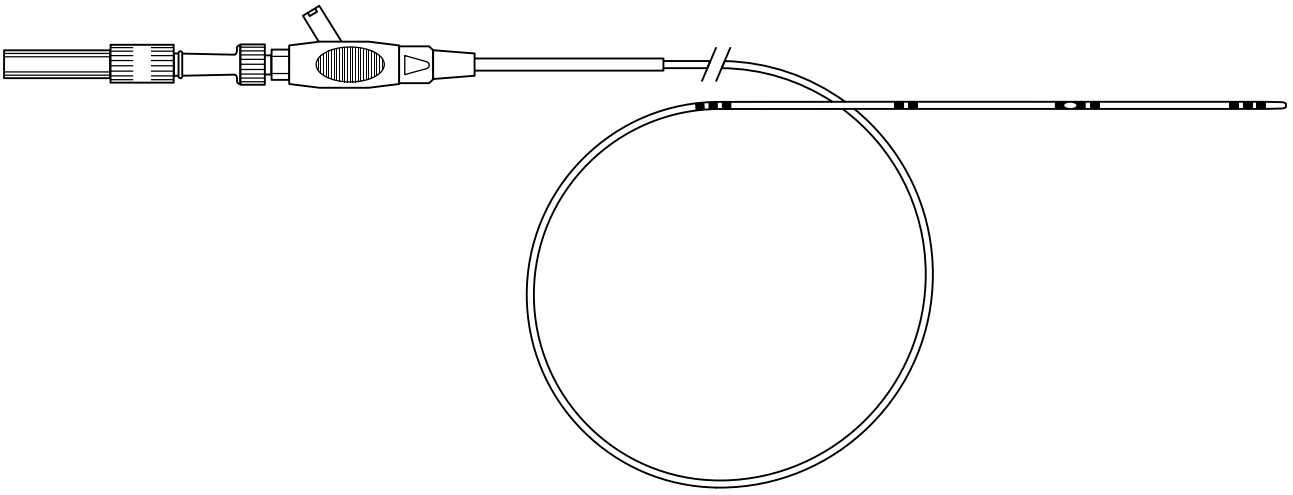
Order Number	Reference Part Number	Catheter Size Fr	Tip Shape	Catheter Length cm	Wire Guide Diameter inch	Minimum Accessory Channel mm
G31590	FS-GT-OMNI	7	DomeTip	200	.035	4.2

Some products or part numbers may not be available in all markets. Contact your local Cook representative or Customer Service for details regarding: stock/non-stock status (expect longer lead time if non-stock), pricing and/or availability.



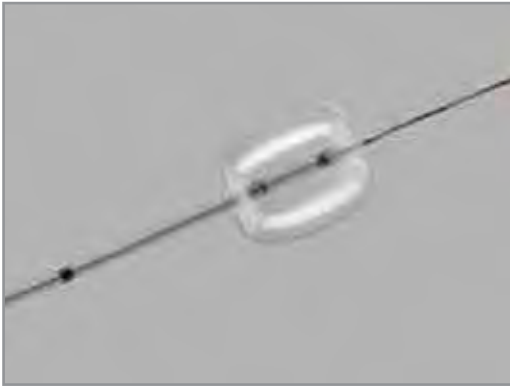
Fusion® ERCP Catheter with DomeTip®

Used for endoscopic cannulation of the ductal system.



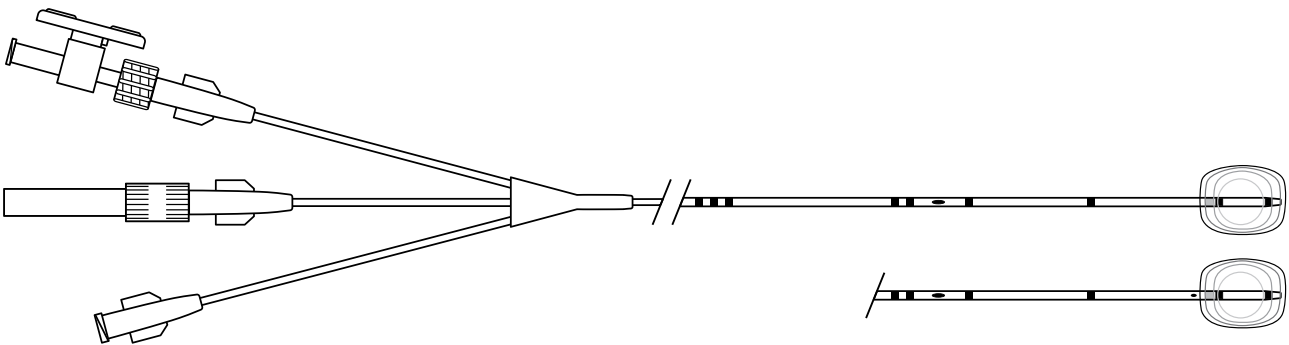
Order Number	Reference Part Number	Catheter Size Fr	Tip Shape	Catheter Length cm	Wire Guide Diameter inch	Minimum Accessory Channel mm
G31528	FS-GT-2	6	DomeTip	200	.035	3.2

Some products or part numbers may not be available in all markets. Contact your local Cook representative or Customer Service for details regarding: stock/non-stock status (expect longer lead time if non-stock), pricing and/or availability.



Fusion Quattro® Extraction Balloon

Used for endoscopic removal of stones in the biliary system and for contrast injection.



Order Number	Reference Part Number	Catheter Size Fr	Catheter Length cm	Wire Guide Diameter inch	Balloon Diameter mm	Injection Port	Minimum Accessory Channel mm
G48225	FS-QEB-A	6.6	200	.035	8.5 10 12 15	above balloon	3.2
G48226	FS-QEB-B	6.6	200	.035	8.5 10 12 15	below balloon	3.2
G31921	FS-QEB-XL-A	6.6	200	.035	12 15 18 20	above balloon	3.2
G31922	FS-QEB-XL-B	6.6	200	.035	12 15 18 20	below balloon	3.2

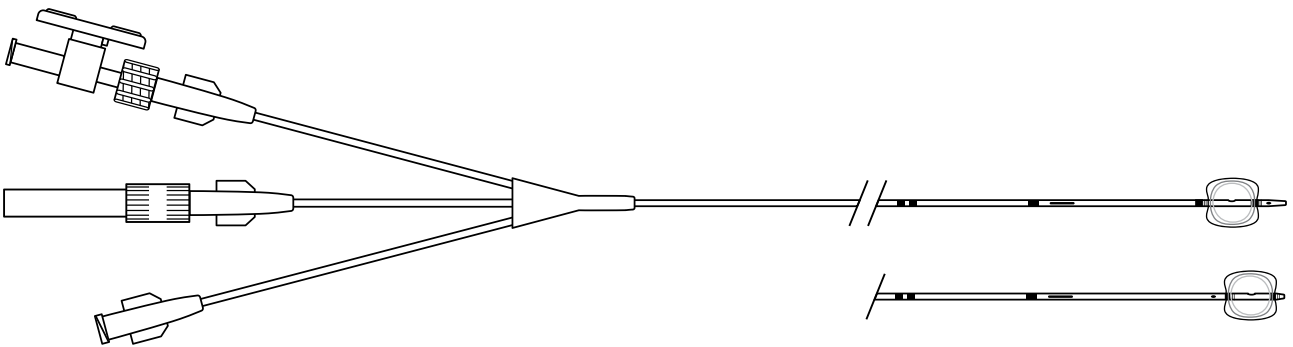
Some products or part numbers may not be available in all markets. Contact your local Cook representative or Customer Service for details regarding: stock/non-stock status (expect longer lead time if non-stock), pricing and/or availability.

Caution: This product contains natural rubber latex, which may cause allergic reactions.



Fusion® Extraction Balloon

Used for endoscopic removal of stones in the biliary system and for contrast injection.



Order Number	Reference Part Number	Catheter Size Fr	Catheter Length cm	Wire Guide Diameter inch	Balloon Diameter mm	Injection Port	Minimum Accessory Channel mm
G31537	FS-8.5-12-15-A	7-5	200	.035	8.5 12 15	above balloon	3.2
G31538	FS-8.5-12-15-B	7-5	200	.035	8.5 12 15	below balloon	3.2

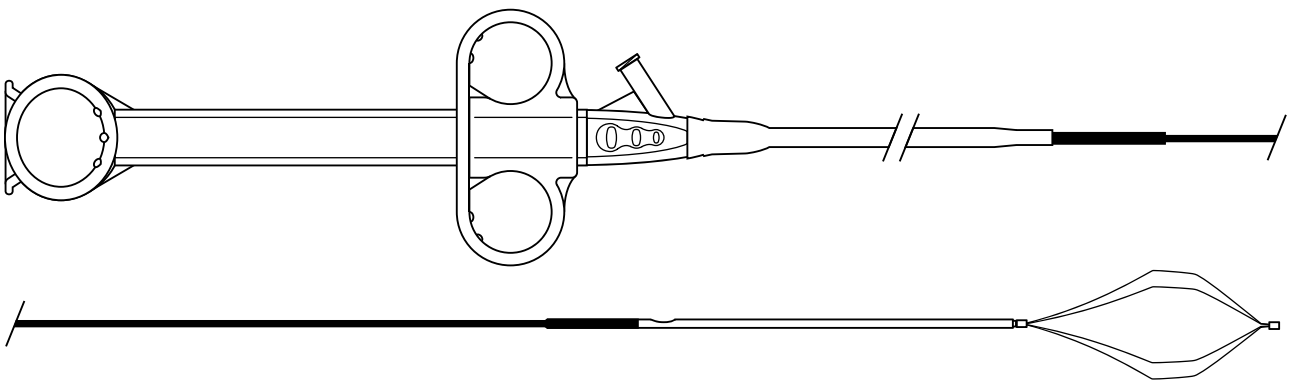
Some products or part numbers may not be available in all markets. Contact your local Cook representative or Customer Service for details regarding: stock/non-stock status (expect longer lead time if non-stock), pricing and/or availability.

Caution: *This product contains natural rubber latex, which may cause allergic reactions.*



Fusion® Lithotripsy Extraction Basket

Used for endoscopic removal of biliary stones and foreign bodies.



Order Number	Reference Part Number	Basket Diameter cm	Basket Length cm	Sheath Size Fr	Sheath Length cm	Wire Guide Diameter inch	Minimum Accessory Channel mm
G48277	FS-LXB-2X4	2	4	10	208	.035	4.2
G48278	FS-LXB-3X6	3	6	10	208	.035	4.2

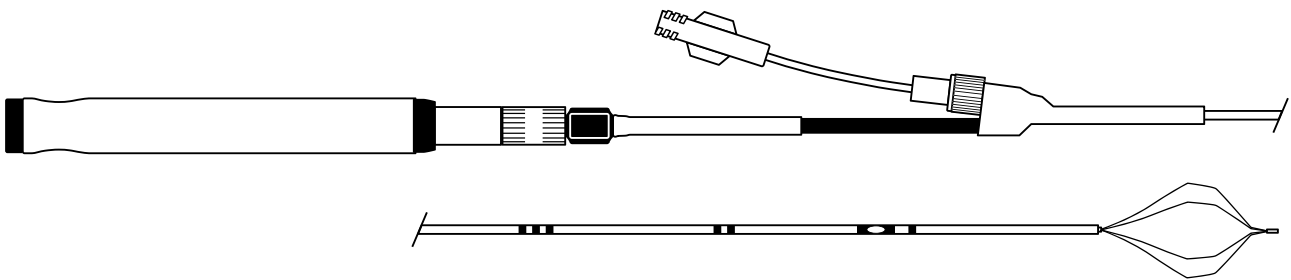
Some products or part numbers may not be available in all markets. Contact your local Cook representative or Customer Service for details regarding: stock/non-stock status (expect longer lead time if non-stock), pricing and/or availability.

Compatible with Conquest TTC (page 74) and Soehendra Lithotripter Handle (page 75).



Fusion® Extraction Basket

Used for endoscopic removal of biliary stones and foreign bodies.



Order Number	Reference Part Number	Basket Diameter cm	Basket Length cm	Sheath Size Fr	Sheath Length cm	Wire Guide Diameter inch	Minimum Accessory Channel mm
G31905	FS-XB-2X4	2	4	8	200	.035	4.2

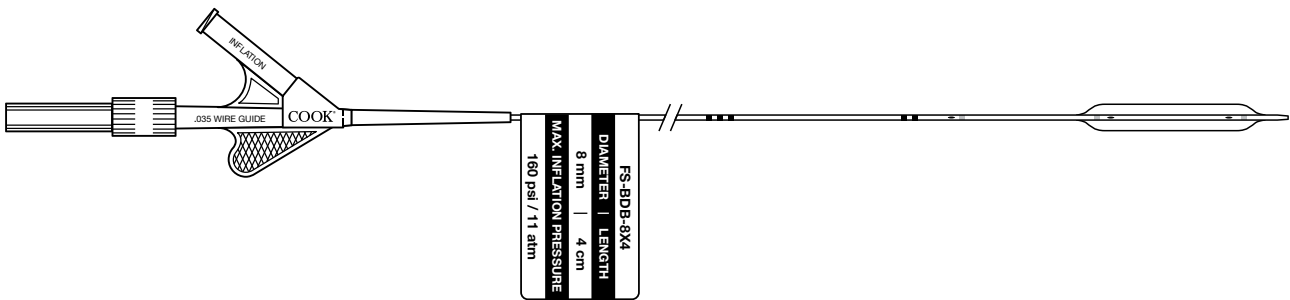
Some products or part numbers may not be available in all markets. Contact your local Cook representative or Customer Service for details regarding: stock/non-stock status (expect longer lead time if non-stock), pricing and/or availability.

Not for use with mechanical lithotripter.



Fusion® Titan™ Biliary Dilation Balloon

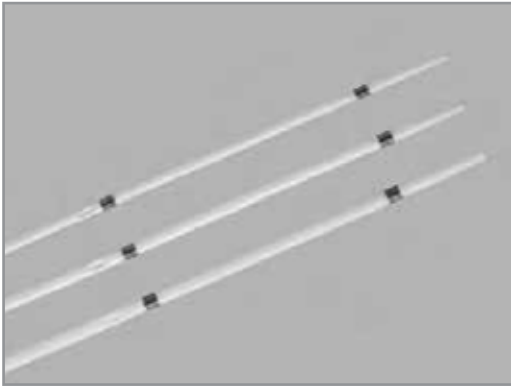
Used to dilate strictures of the biliary tree.



Order Number	Reference Part Number	Catheter Length cm	Wire Guide Diameter inch	Balloon Diameter mm	Balloon Diameter Fr	Balloon Length cm	Minimum Accessory Channel mm
G49219	FS-BDB-4X4	190	.035	4	12	4	3.2
G49220	FS-BDB-6X4	190	.035	6	18	4	3.2
G49221AA	FS-BDB-8X4	190	.035	8	24	4	3.2
G49222	FS-BDB-10X4	190	.035	10	30	4	3.2

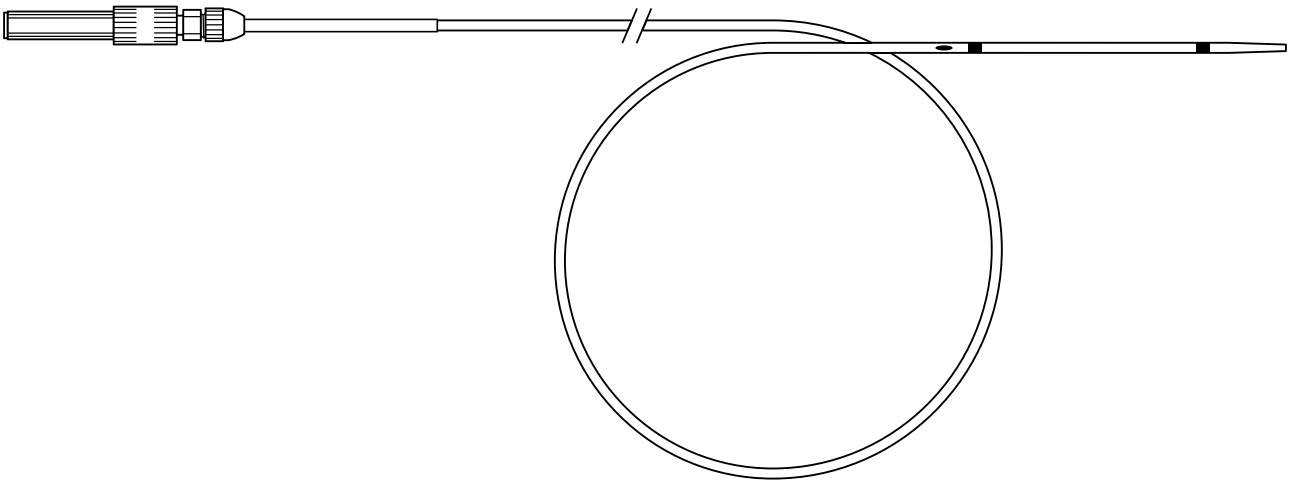
Some products or part numbers may not be available in all markets. Contact your local Cook representative or Customer Service for details regarding: stock/non-stock status (expect longer lead time if non-stock), pricing and/or availability.

Compatible with the Quantum Biliary Inflation Device (page 78).



Fusion® Biliary Dilation Catheter

Used to dilate biliary strictures. This device is indicated for adult use only.



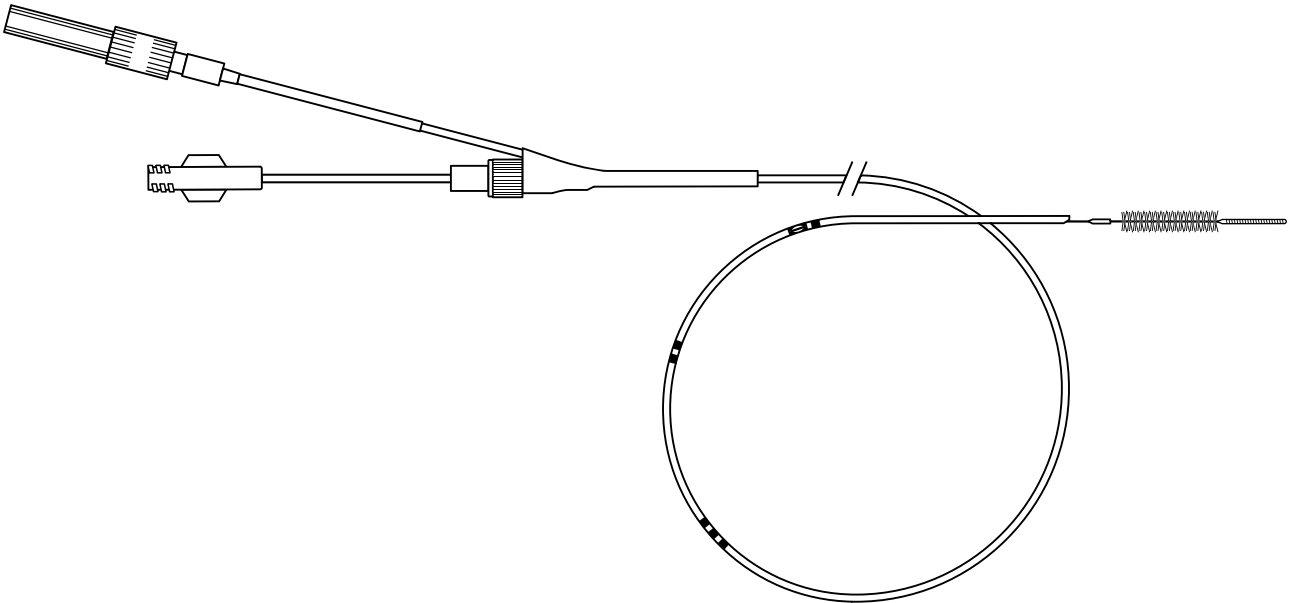
Order Number	Reference Part Number	Catheter Size Fr	Catheter Length cm	Wire Guide Diameter inch	Tip Shape	Minimum Accessory Channel mm
G49571	FS-BDC-7	6.9-5	195	.035	DomeTip	4.2
G49572	FS-BDC-8.5	8.4-6	195	.035	DomeTip	4.2
G49573	FS-BDC-10	9.6-7	195	.035	DomeTip	4.2

Some products or part numbers may not be available in all markets. Contact your local Cook representative or Customer Service for details regarding: stock/non-stock status (expect longer lead time if non-stock), pricing and/or availability.



Fusion® Cytology Brush

Used for the collection of cells in the biliary system.



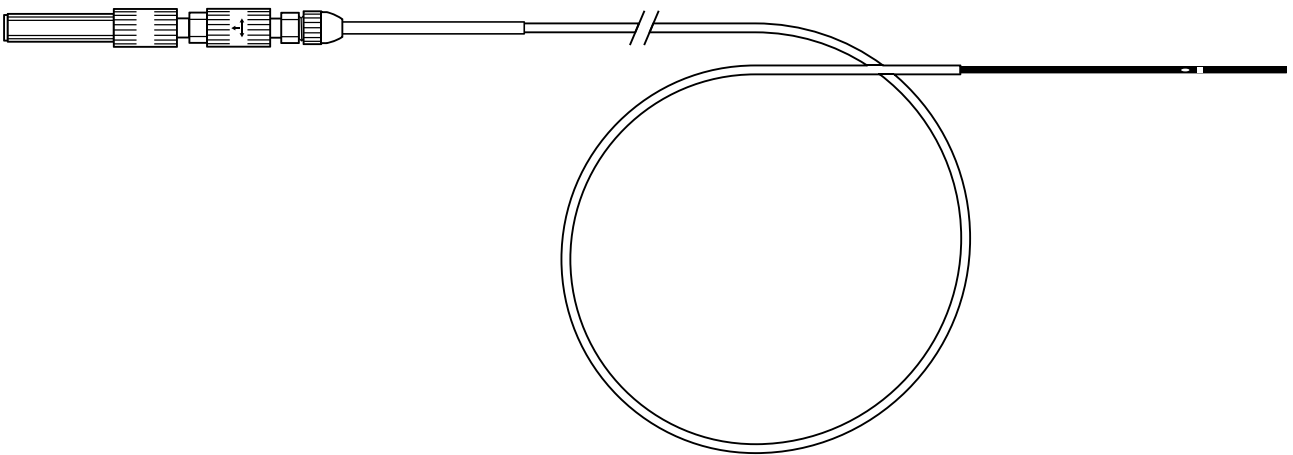
Order Number	Reference Part Number	Catheter Size Fr	Catheter Length cm	Wire Guide Diameter inch	Brush Diameter mm	Brush Length cm	Filiform Tip Size cm	Minimum Accessory Channel mm
G31525	FS-CB-1.5-S	8	200	.035	3	2.5	1.5	4.2
G49091	FS-CB-6	6	200	.035	3	2.5	none	3.2

Some products or part numbers may not be available in all markets. Contact your local Cook representative or Customer Service for details regarding: stock/non-stock status (expect longer lead time if non-stock), pricing and/or availability.



Fusion OASIS® One Action Stent Introduction System

Used for endoscopic biliary stent placement to drain obstructed bile ducts.



Order Number	Reference Part Number	Pushing Catheter Size Fr	Pushing Catheter Length cm	Guiding Catheter Size Fr	Guiding Catheter Length cm	Wire Guide Diameter inch	Minimum Accessory Channel mm
G31526	FS-OA-8.5	8.5	170	5	195	.035	4.2
G31527	FS-OA-10	9	170	5.5	195	.035	4.2

Some products or part numbers may not be available in all markets. Contact your local Cook representative or Customer Service for details regarding stock/non-stock status (expect longer lead time if non-stock), pricing and/or availability.

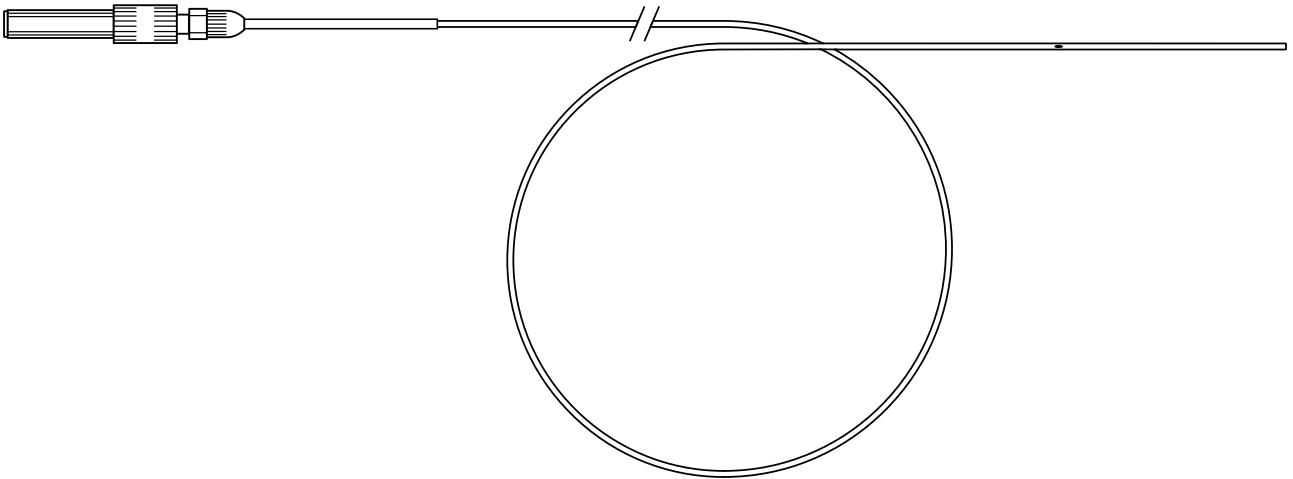
Not for use with pigtail stents.

Compatible with ST-2 Soehendra Tannenbaum® (page 115), Cotton-Huibregtse® (page 104) and Cotton-Leung® (page 108) stents.



Fusion® Pushing Catheter

Used for endoscopic biliary stent placement to drain obstructed bile ducts.



Order Number	Reference Part Number	Pushing Catheter Size Fr	Pushing Catheter Length cm	Wire Guide Diameter inch	Minimum Accessory Channel mm
G31550	FS-PC-5	5	170	.035	3.2
G31551	FS-PC-7	6	170	.035	3.2

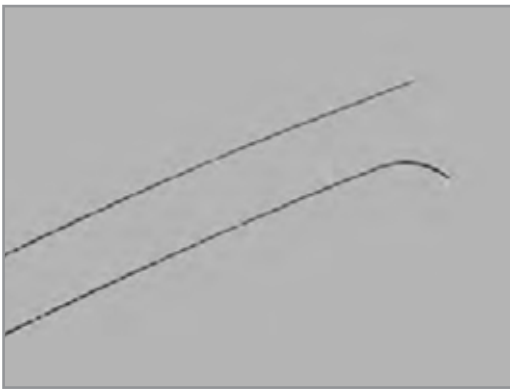
Some products or part numbers may not be available in all markets. Contact your local Cook representative or Customer Service for details regarding: stock/non-stock status (expect longer lead time if non-stock), pricing and/or availability.

Biliary/Pancreatic



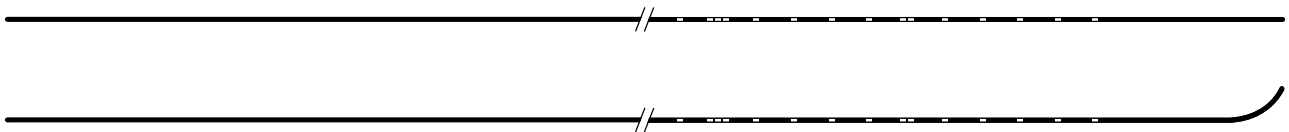
Biliary/Pancreatic

Wire Guides	29
Sphincterotomes.....	36
Catheters.....	49
Extraction.....	59
Dilation	76
Cytology	84
Drainage.....	87
Manometry	90
Metal Stents.....	91
Plastic Stents.....	96



Acrobat® 2 Calibrated Tip Wire Guide

Used to assist in cannulation of the biliary and pancreatic ducts and to aid in bridging difficult strictures during ERCP.

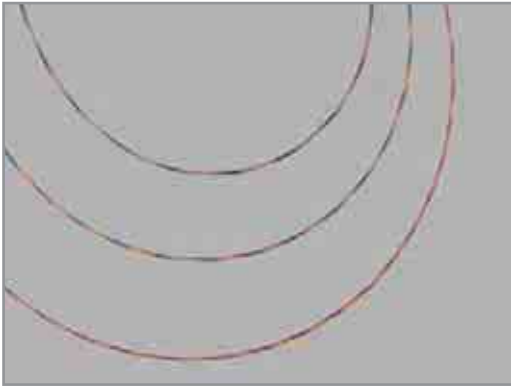


Order Number	Reference Part Number	Wire Guide Diameter inch	Wire Guide Length cm	Radiopaque Tip Length cm	Hydrophilic Coating Length cm	Tip Shape
G47608	AWG2-25-260	.025	260	4	5.8	Straight
G47609	AWG2-25-260-A	.025	260	4	5.8	Angled
G47610	AWG2-25-450	.025	450	4	5.8	Straight
G47611	AWG2-25-450-A	.025	450	4	5.8	Angled
G47612	AWG2-35-205	.035	205	4	5.8	Straight
G47613	AWG2-35-205-A	.035	205	4	5.8	Angled
G47614	AWG2-35-260	.035	260	4	5.8	Straight
G47615	AWG2-35-260-A	.035	260	4	5.8	Angled
G47616	AWG2-35-450	.035	450	4	5.8	Straight
G47617	AWG2-35-450-A	.035	450	4	5.8	Angled

Some products or part numbers may not be available in all markets. Contact your local Cook representative or Customer Service for details regarding: stock/non-stock status (expect longer lead time if non-stock), pricing and/or availability.

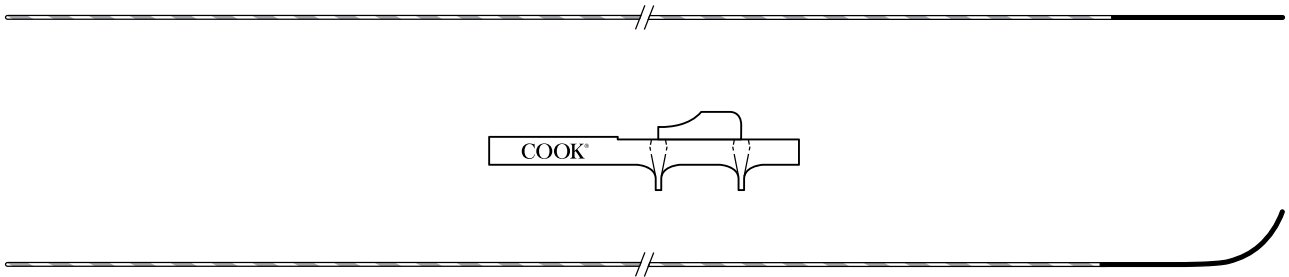
May be left in place during sphincterotomy.

Caution: Not for use with metal tip devices.



Tracer Metro® Direct™ Wire Guide

Used to assist in cannulation of the biliary and pancreatic ducts and to aid in bridging difficult strictures during ERCP.



Order Number	Reference Part Number	Wire Guide Diameter inch	Wire Guide Length cm	Radiopaque Tip Length cm	Hydrophilic Coating Length cm	Tip Shape
G55705	METII-21-260	.021	260	5	5	straight
G26862	METII-21-480	.021	480	5	5	straight
G31913	METII-25-260	.025	260	5	5	straight
G25785	METII-25-480	.025	480	5	5	straight
G31914	METII-35-260	.035	260	5	5	straight
G25686	METII-35-480	.035	480	5	5	straight
G25687	METII-35-480-A	.035	480	5	5	angled
G50660	METII-35-600E	.035	600	5	5	straight

Some products or part numbers may not be available in all markets. Contact your local Cook representative or Customer Service for details regarding: stock/non-stock status (expect longer lead time if non-stock), pricing and/or availability.

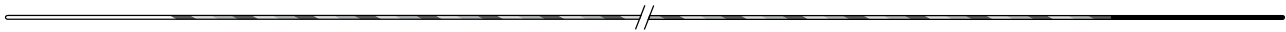
May be left in place during sphincterotomy.

Caution: Not for use with metal tip devices.



Fusion® Wire Guide

Used to assist in cannulation of the biliary and pancreatic ducts and to aid in bridging difficult strictures during ERCP.



Order Number	Reference Part Number	Wire Guide Diameter inch	Wire Guide Length cm	Radiopaque Tip Length cm	Hydrophilic Coating Length cm	Tip Shape
G31910	FSW-35	.035	205	5	5	straight

Some products or part numbers may not be available in all markets. Contact your local Cook representative or Customer Service for details regarding: stock/non-stock status (expect longer lead time if non-stock), pricing and/or availability.

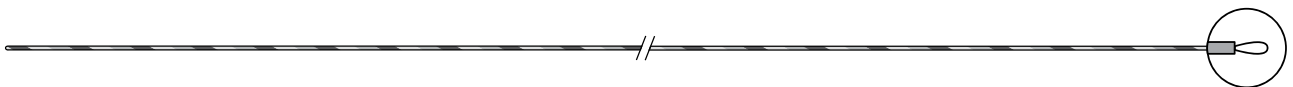
May be left in place during sphincterotomy.

Caution: Not for use with metal tip devices.



Fusion® LoopTip™ Wire Guide

Used to assist in cannulation of the biliary and pancreatic ducts and to aid in bridging difficult strictures during ERCP.

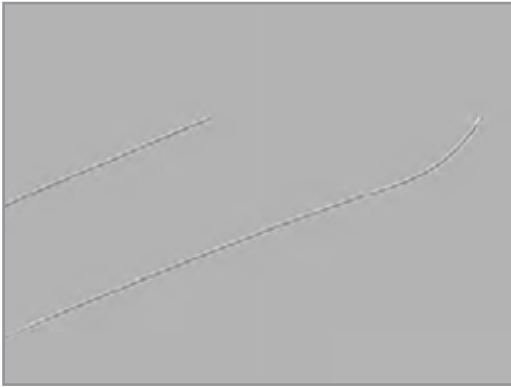


Order Number	Reference Part Number	Wire Guide Diameter inch	Wire Guide Length cm	LoopTip Size mm
G50975	FS-LT-35-205	.035	205	2 x 4
G50976	FS-LT-35-260	.035	260	2 x 4
G50977	FS-LT-35-480	.035	480	2 x 4

Some products or part numbers may not be available in all markets. Contact your local Cook representative or Customer Service for details regarding: stock/non-stock status (expect longer lead time if non-stock), pricing and/or availability.

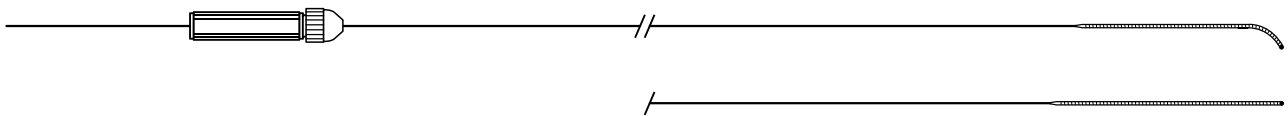
May be left in place during sphincterotomy.

Caution: Not for use with metal tip devices.



Roadrunner® Extra Support Wire Guide

Used to assist in cannulation of the biliary and pancreatic ducts and to aid in bridging difficult strictures during ERCP.

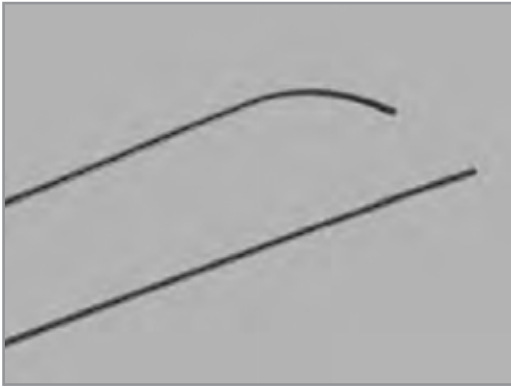


Order Number	Reference Part Number	Wire Guide Diameter inch	Wire Guide Length cm	Radiopaque Tip Length cm	Tip Shape
G23038	RR-18-260	.018	260	3	straight
G23039	RR-18-260-A	.018	260	3	angled
G22419	RR-18-480	.018	480	3	straight
G22416	RR-18-480-A	.018	480	3	angled

Some products or part numbers may not be available in all markets. Contact your local Cook representative or Customer Service for details regarding: stock/non-stock status (expect longer lead time if non-stock), pricing and/or availability.

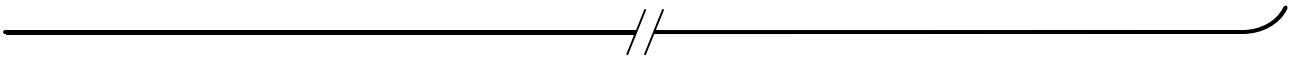
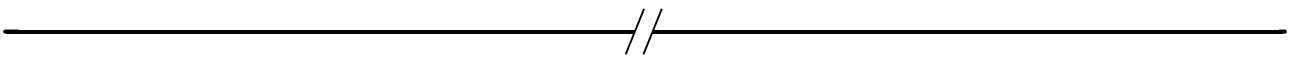
Must remove prior to sphincterotomy.

Caution: Not for use with metal tip devices.



Delta Wire® Fully Hydrophilic Coated Wire

Used to assist in cannulation of the biliary and pancreatic ducts and to aid in bridging difficult strictures during ERCP.

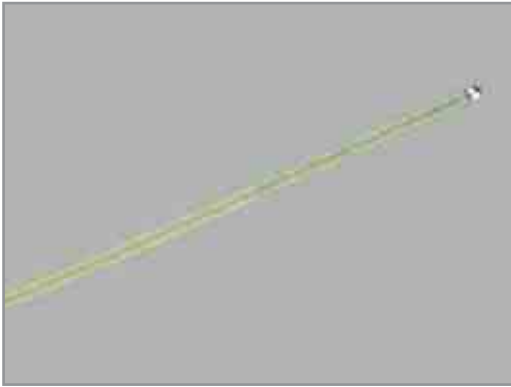


Order Number	Reference Part Number	Wire Guide Diameter inch	Wire Guide Length cm	Tip Shape
G31595	DWG-25-260-S	.025	260	straight
G31597	DWG-25-260-A-S	.025	260	angled
G31900	DWG-35-260-S	.035	260	straight
G31901	DWG-35-260-A-S	.035	260	angled

Some products or part numbers may not be available in all markets. Contact your local Cook representative or Customer Service for details regarding: stock/non-stock status (expect longer lead time if non-stock), pricing and/or availability.

Must remove prior to sphincterotomy.

Caution: Not for use with metal tip devices.



Standard Wire Guide

Used to assist in cannulation of the biliary and pancreatic ducts and to aid in bridging difficult strictures during ERCP.

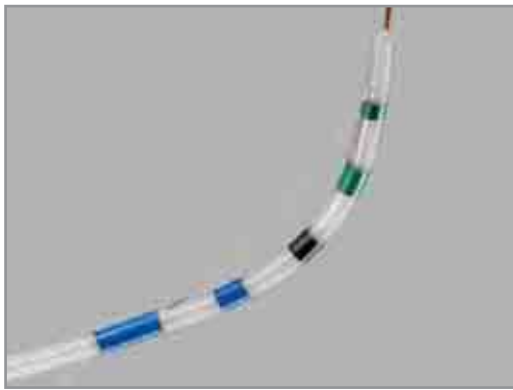


Order Number	Reference Part Number	Wire Guide Diameter inch	Wire Guide Length cm	Tip Shape
G13815	THSF-35-400	.035	400	straight
G13816	THSF-35-480	.035	480	straight

Some products or part numbers may not be available in all markets. Contact your local Cook representative or Customer Service for details regarding: stock/non-stock status (expect longer lead time if non-stock), pricing and/or availability.

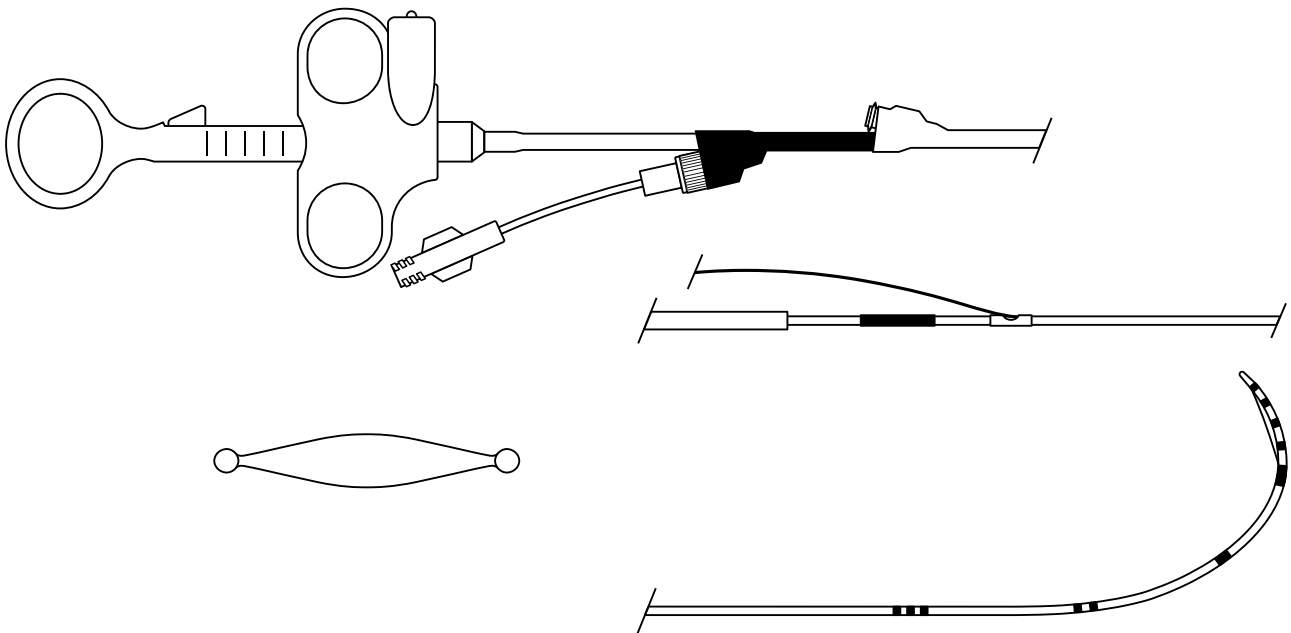
Must remove prior to sphincterotomy.

Not compatible with Fusion, Evolution Biliary or DomeTip devices.



Fusion® OMNI™ Sphincterotome with DomeTip®

Used for cannulation of the ductal system and for sphincterotomy. If preloaded, also aids in bridging difficult strictures during ERCP.



Order Number	Reference Part Number	Catheter Size Fr	Tip Shape	Wire Guide Diameter inch	Wire Guide Length cm	Preloaded Wire Guide	Monofilament Cutting Wire Length mm	Minimum Accessory Channel mm
G48675	FS-OMNI-21	5.5	DomeTip	.021	n/a	n/a	25	2.8
G56103	FS-OMNI-21-260	5.5	DomeTip	.021	260	Tracer Metro Direct	25	2.8
G48676	FS-OMNI-21-480	5.5	DomeTip	.021	480	Tracer Metro Direct	25	2.8
G31903	FS-OMNI	7	DomeTip	.035	n/a	n/a	25	3.2
G31911	FS-OMNI-35	7	DomeTip	.035	205	Fusion	25	3.2
G55814	FS-OMNI-35-260	7	DomeTip	.035	260	Tracer Metro Direct	25	3.2
G55815	FS-OMNI-35-480	7	DomeTip	.035	480	Tracer Metro Direct	25	3.2
G34601	FS-OMNI-ACRO-35-205	7	DomeTip	.035	205	Acrobat	25	3.2
G34693	FS-OMNI-ACRO-35-260	7	DomeTip	.035	260	Acrobat	25	3.2
G34711	FS-OMNI-ACRO-35-450	7	DomeTip	.035	450	Acrobat	25	3.2

Some products or part numbers may not be available in all markets. Contact your local Cook representative or Customer Service for details regarding: stock/non-stock status (expect longer lead time if non-stock), pricing and/or availability.

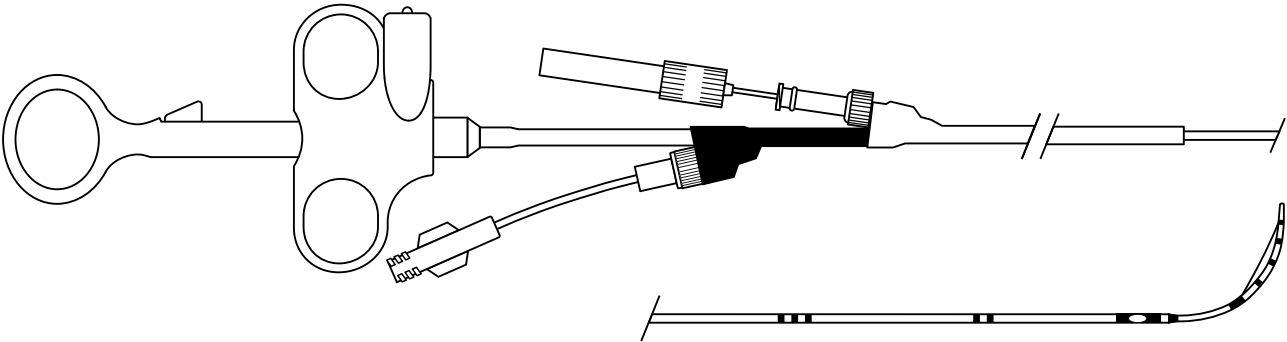
Active cord (page 214) available separately.

Catheter length is 190 cm.



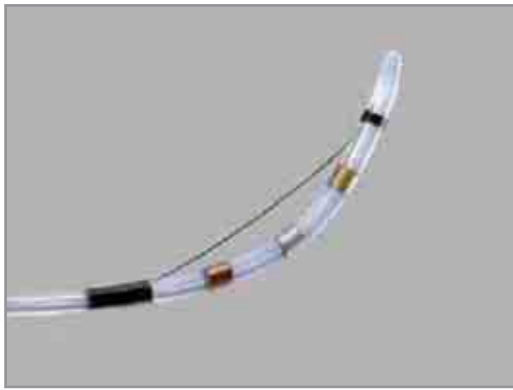
Fusion® IDE-Tome Sphincterotome with DomeTip®

Used for cannulation of the ductal system and for sphincterotomy.



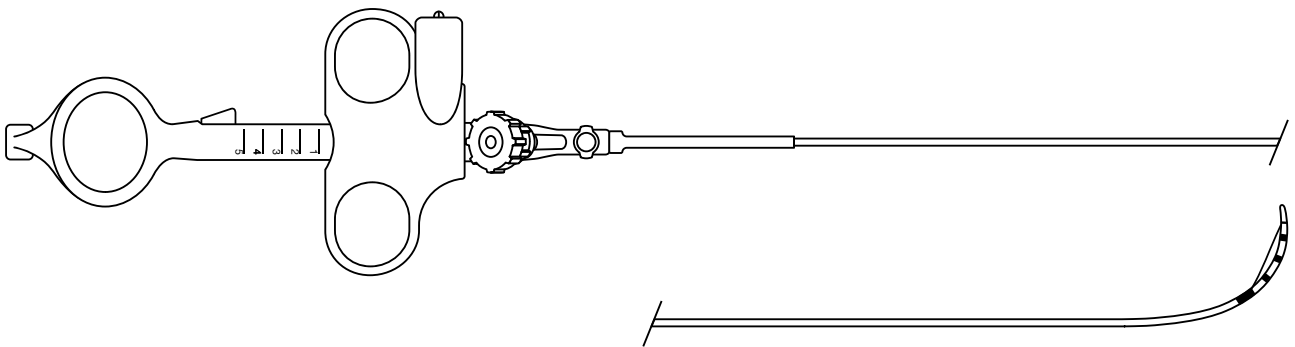
Order Number	Reference Part Number	Catheter Size Fr	Tip Shape	Catheter Length cm	Wire Guide Diameter inch	Monofilament Cutting Wire Length mm	Minimum Accessory Channel mm
G31533	FS-25M-35	7	DomeTip	200	.035	25	4.2

Some products or part numbers may not be available in all markets. Contact your local Cook representative or Customer Service for details regarding: stock/non-stock status (expect longer lead time if non-stock), pricing and/or availability.
Active cord (page 214) available separately.



D.A.S.H.® Sphincterotome with DomeTip®

Used for cannulation of the ductal system and for sphincterotomy. If preloaded, also aids in bridging difficult strictures during ERCP.



Order Number	Reference Part Number	Catheter Size Fr	Tip Shape	Wire Guide Diameter inch	Preloaded Wire Guide	Wire Guide Length cm	Monofilament Cutting Wire Length mm	Minimum Accessory Channel mm
G26850	DASH-21	5.5	DomeTip	.021	n/a	n/a	25	2.8
G25790	DASH-21-480	5.5	DomeTip	.021	Tracer Metro Direct	480	25	2.8
G25224	DASH-1	6	DomeTip	.025	n/a	n/a	25	2.8
G25225	DASH-260	6	DomeTip	.025	Tracer Metro Direct	260	25	2.8
G25227	DASH-480	6	DomeTip	.025	Tracer Metro Direct	480	25	2.8
G34779	DASH-ACRO-25-450	6	DomeTip	.025	Acrobat	450	25	2.8
G54193	DASH-35	6.5	DomeTip	.035	n/a	n/a	25	2.8
G34780	DASH-ACRO-35-260	6.5	DomeTip	.035	Acrobat	260	25	2.8
G25666	DASH-35-480	6.5	DomeTip	.035	Tracer Metro Direct	480	25	2.8
G34778	DASH-ACRO-35-450	6.5	DomeTip	.035	Acrobat	450	25	2.8

Some products or part numbers may not be available in all markets. Contact your local Cook representative or Customer Service for details regarding: stock/non-stock status (expect longer lead time if non-stock), pricing and/or availability.

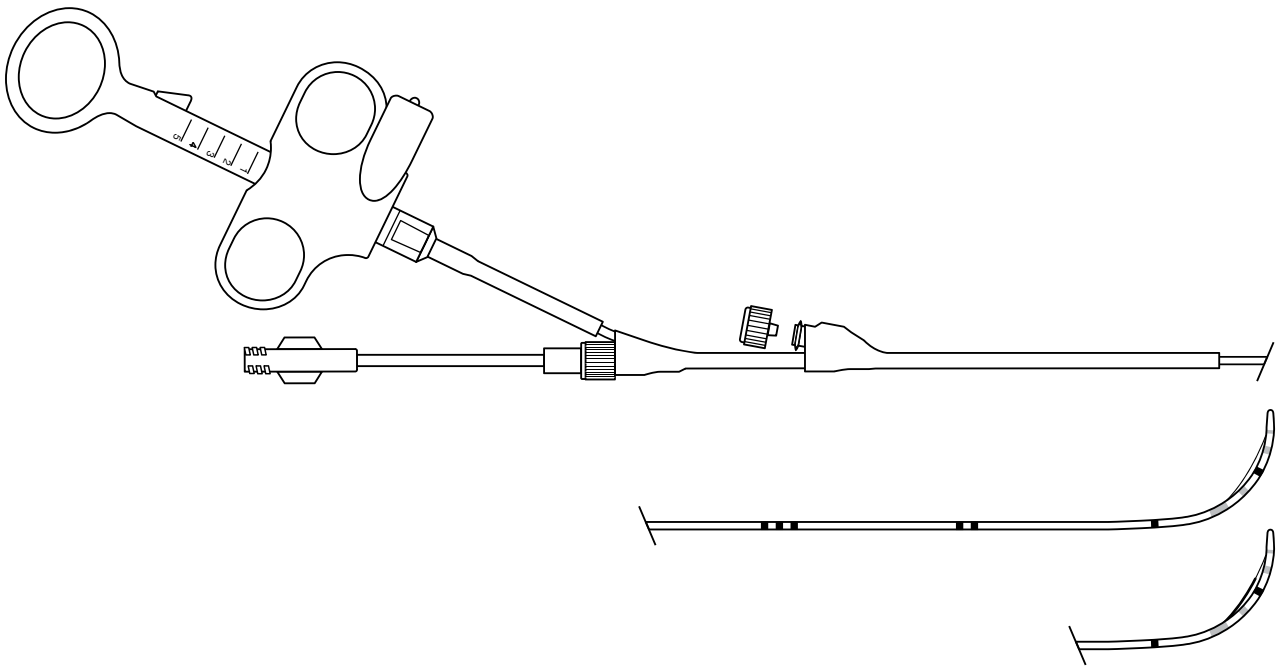
Active cord (page 214) available separately.

Catheter length is 196 cm.



Tri-Tome pc® Triple Lumen Sphincterotome

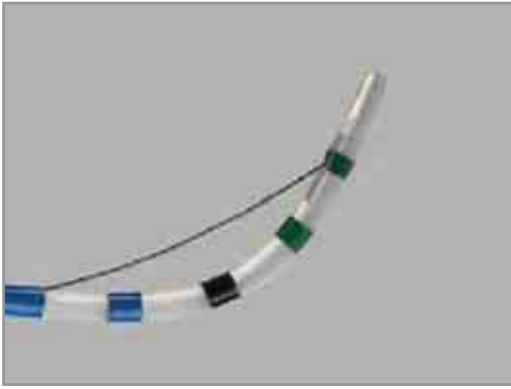
Used for endoscopic cannulation of the ductal system and for sphincterotomy.



Order Number	Reference Part Number	Catheter Size Fr	Tip Shape	Catheter Length cm	Wire Guide Diameter inch	Cutting Wire Length mm	Cutting Wire Type	Minimum Accessory Channel mm
Tri-Tome® Protector™								
G49197	TRI-25M-P	7	DomeTip	200	.035	25	monofilament Protector	2.8
Tri-Tome®								
G22583	TRI-20	7	DomeTip	200	.035	20	braided	2.8
G22584	TRI-20M	7	DomeTip	200	.035	20	monofilament	2.8
G22554	TRI-25	7	DomeTip	200	.035	25	braided	2.8
G22555	TRI-25M	7	DomeTip	200	.035	25	monofilament	2.8
G26826	TRI-25M-SLT with Physician Control Ports	7	DomeTip	200	.035	25	monofilament	2.8
G22556	TRI-30	7	DomeTip	200	.035	30	braided	2.8
G22557	TRI-30M	7	DomeTip	200	.035	30	monofilament	2.8

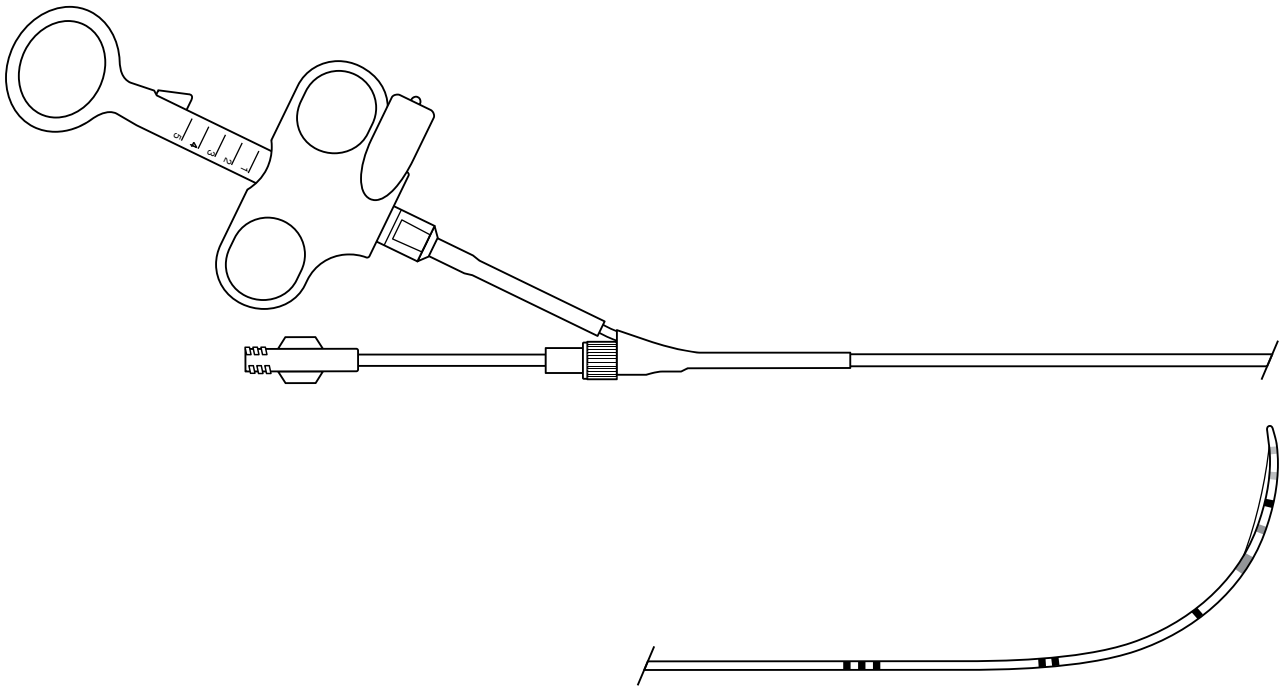
Some products or part numbers may not be available in all markets. Contact your local Cook representative or Customer Service for details regarding: stock/non-stock status (expect longer lead time if non-stock), pricing and/or availability.

Active cord (page 214) available separately.



Cannulatome II® Double Lumen Sphincterotome

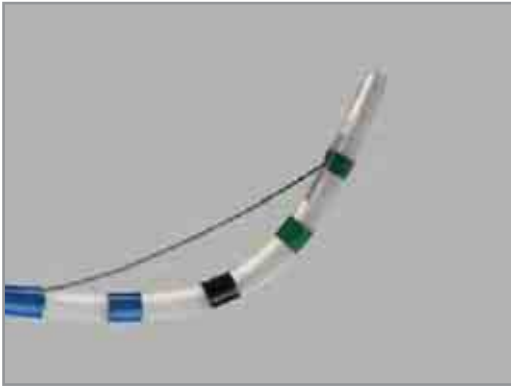
Used for cannulation of the ductal system and for sphincterotomy.



Order Number	Reference Part Number	Catheter Size Fr	Tip Shape	Catheter Length cm	Wire Guide Diameter inch	Cutting Wire Length mm	Cutting Wire Type	Minimum Accessory Channel mm
G22240	CT-20	6	DomeTip	200	.035	20	braided	2.8
G22536	CT-20M	6	DomeTip	200	.035	20	monofilament	2.8
G25801	CT-30	6	DomeTip	200	.035	30	braided	2.8
G22538	CT-30M	6	DomeTip	200	.035	30	monofilament	2.8

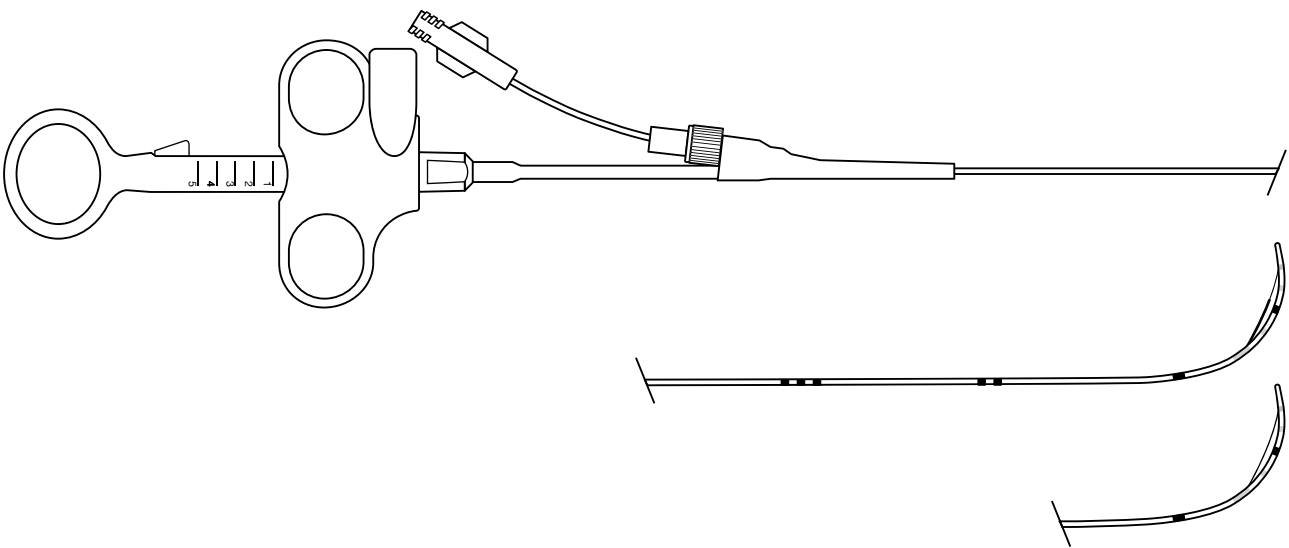
Some products or part numbers may not be available in all markets. Contact your local Cook representative or Customer Service for details regarding: stock/non-stock status (expect longer lead time if non-stock), pricing and/or availability.

Active cord (page 214) available separately.



Cotton CannulaTome II® PreCurved Double Lumen Sphincterotome

Used for cannulation of the ductal system and for sphincterotomy.



Order Number	Reference Part Number	Catheter Size Fr	Tip Shape	Catheter Length cm	Wire Guide Diameter inch	Cutting Wire Length mm	Cutting Wire Type	Minimum Accessory Channel mm
Cotton CannulaTome II® Protector™								
G49196	CT-25M-P	6	DomeTip	200	.035	25	monofilament Protector	2.8
Cotton CannulaTome II®								
G22241	CT-25	6	DomeTip	200	.035	25	braided	2.8
G22537	CT-25M	6	DomeTip	200	.035	25	monofilament	2.8

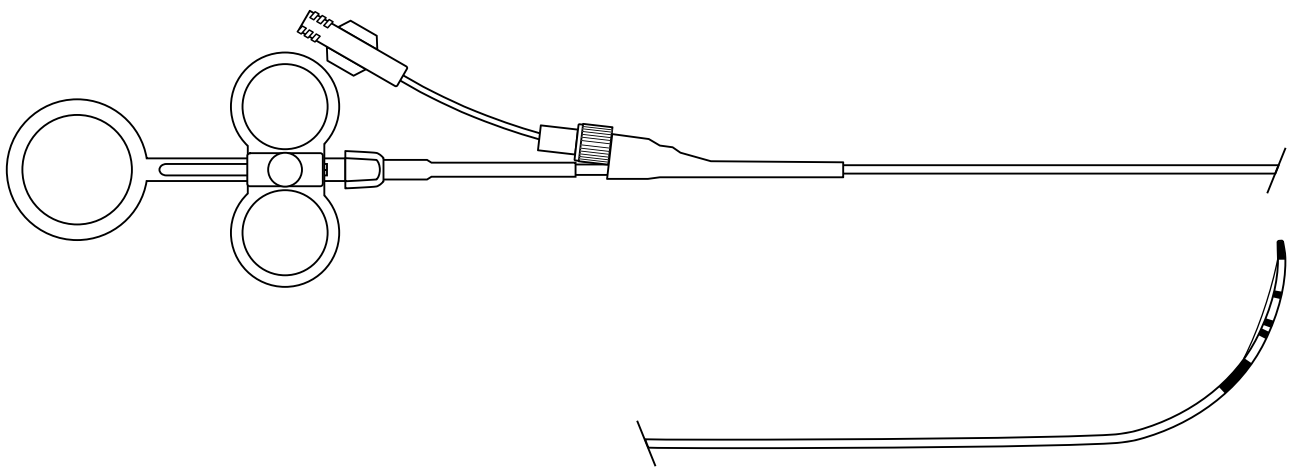
Some products or part numbers may not be available in all markets. Contact your local Cook representative or Customer Service for details regarding: stock/non-stock status (expect longer lead time if non-stock), pricing and/or availability.

Active cord (page 214) available separately.



Classic Cotton® CannulaTome®

Used for cannulation of the ductal system and for sphincterotomy.



Order Number	Reference Part Number	Catheter Size Fr	Tip Shape	Catheter Length cm	Wire Guide Diameter inch	Cutting Wire Length mm	Cutting Wire Type	Minimum Accessory Channel mm
G21944	CCPT-25	6-5	taper	200	.035	25	braided	2.8
G21969	CCPT-25-MONO	6-5	taper	200	.035	25	monofilament	2.8
G22732	CCPT-25ME	6-5	taper	320	.035	25	monofilament	2.8

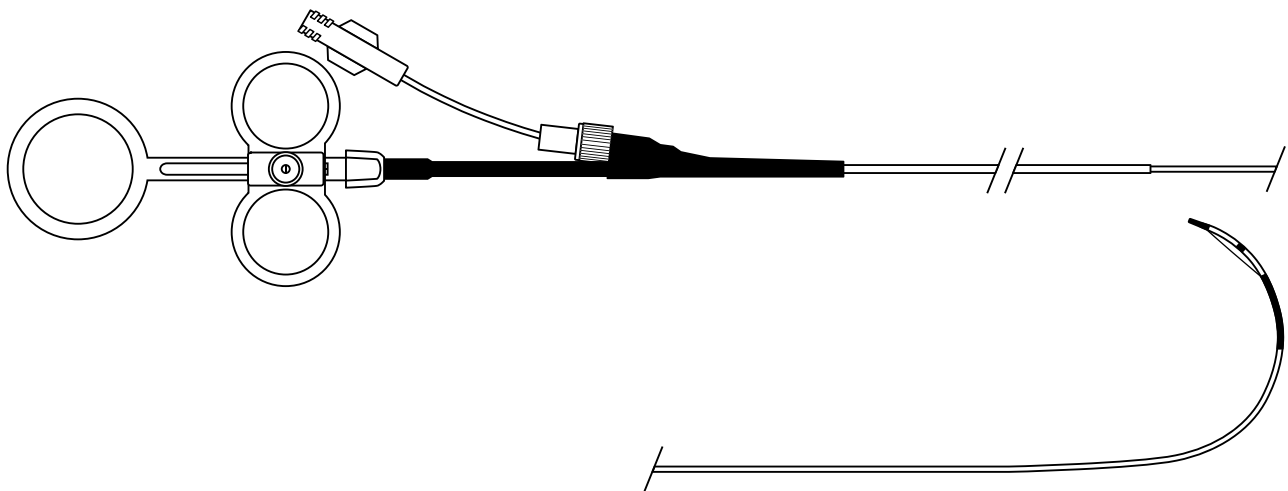
Some products or part numbers may not be available in all markets. Contact your local Cook representative or Customer Service for details regarding: stock/non-stock status (expect longer lead time if non-stock), pricing and/or availability.

Active cord (page 214) available separately.



UTS® Ultra Taper Sphincterotome

Used for cannulation of the ductal system and for sphincterotomy.



Order Number	Reference Part Number	Catheter Size Fr	Tip Shape	Catheter Length cm	Wire Guide Diameter inch	Cutting Wire Length mm	Cutting Wire Type	Minimum Accessory Channel mm
G22503	UTS-15	5-4	taper	200	.021	15	braided	2
G22427	UTS-20	5-4	taper	200	.021	20	braided	2
G22429	UTS-20M	5-4	taper	200	.021	20	monofilament	2
G22489	UTS-25	5-4	taper	200	.021	25	braided	2
G22490	UTS-25M	5-4	taper	200	.021	25	monofilament	2
G22428	UTS-30	5-4	taper	200	.021	30	braided	2
G22430	UTS-30M	5-4	taper	200	.021	30	monofilament	2

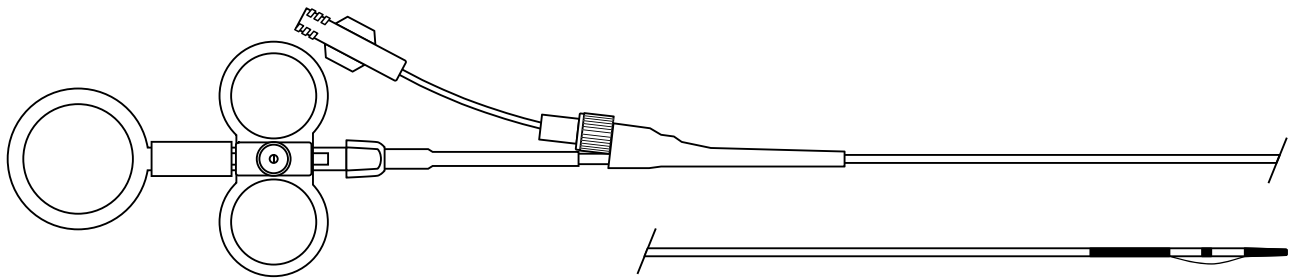
Some products or part numbers may not be available in all markets. Contact your local Cook representative or Customer Service for details regarding: stock/non-stock status (expect longer lead time if non-stock), pricing and/or availability.

Active cord (page 214) available separately.



Billroth II Sphincterotome

Used for cannulation of the ductal system and for sphincterotomy.



Order Number	Reference Part Number	Catheter Size Fr	Tip Shape	Catheter Length cm	Wire Guide Diameter inch	Cutting Wire Length mm	Cutting Wire Type	Minimum Accessory Channel mm
G22143	PTG-20-6-BII-NG	6-5	taper	200	.035	20	braided	2.8

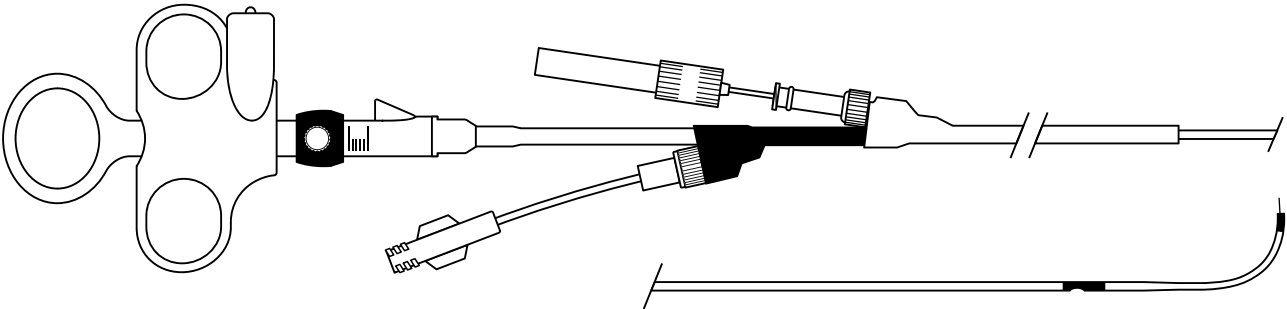
Some products or part numbers may not be available in all markets. Contact your local Cook representative or Customer Service for details regarding: stock/non-stock status (expect longer lead time if non-stock), pricing and/or availability.

Active cord (page 214) available separately.



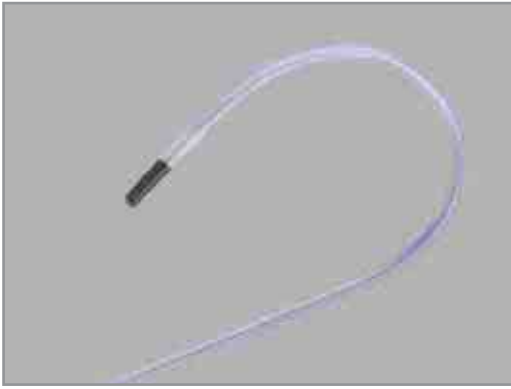
Fusion® Needle Knife

Used for accessing the common bile duct when standard cannulation methods have been exhausted.



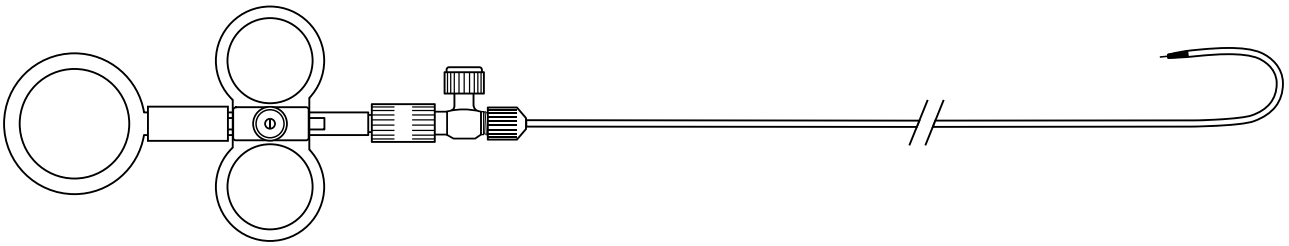
Order Number	Reference Part Number	Catheter Size Fr	Catheter Tip Size Fr	Catheter Length cm	Wire Guide Diameter inch	Cutting Wire Length mm	Minimum Accessory Channel mm
G31539	FS-PRE CUT	7	6	200	.035	4	4.2

Some products or part numbers may not be available in all markets. Contact your local Cook representative or Customer Service for details regarding: stock/non-stock status (expect longer lead time if non-stock), pricing and/or availability. Active cord (page 214) available separately.



Huibregtse® Single Lumen Needle Knife

Used for accessing the common bile duct when standard methods of cannulation have been exhausted.



Order Number	Reference Part Number	Catheter Size Fr	Catheter Length cm	Wire Guide Diameter inch	Cutting Wire Length mm	Minimum Accessory Channel mm
G22037	HPC-2	5	200	.035	4	2

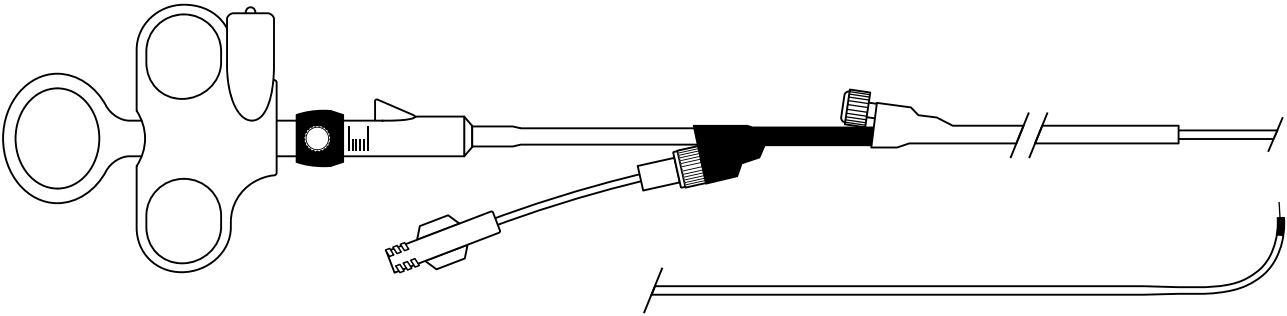
Some products or part numbers may not be available in all markets. Contact your local Cook representative or Customer Service for details regarding: stock/non-stock status (expect longer lead time if non-stock), pricing and/or availability.

Active cord (page 214) available separately.



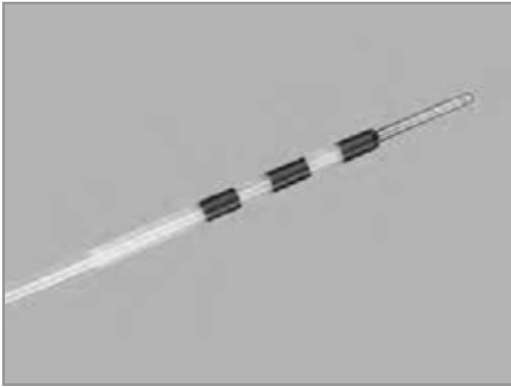
Huibregtse® Triple Lumen Needle Knife

Used for accessing the common bile duct when standard methods of cannulation have been exhausted.



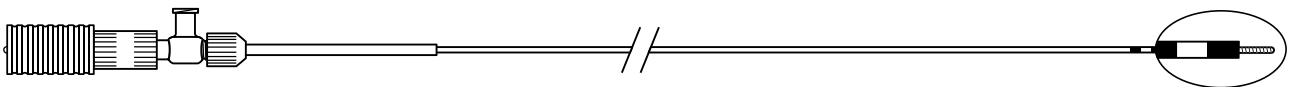
Order Number	Reference Part Number	Catheter Size Fr	Catheter Length cm	Tip Shape	Wire Guide Diameter inch	Cutting Wire Length mm	Minimum Accessory Channel mm
G24885	HPC-3	7-5	200	taper	.035	4	2.8

Some products or part numbers may not be available in all markets. Contact your local Cook representative or Customer Service for details regarding: stock/non-stock status (expect longer lead time if non-stock), pricing and/or availability.
Active cord (page 214) available separately.



Zimmon® Needle Knife Papillotome

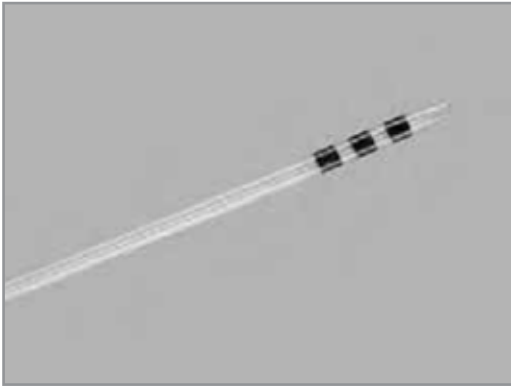
Used for accessing the common bile duct when standard methods of cannulation have been exhausted.



Order Number	Reference Part Number	Catheter Size Fr	Catheter Length cm	Wire Guide Diameter inch	Cutting Wire Length mm	Minimum Accessory Channel mm
G21822	PTW-1	5	200	.035	7	2
G22717	PTW-1E	5	320	.035	7	2

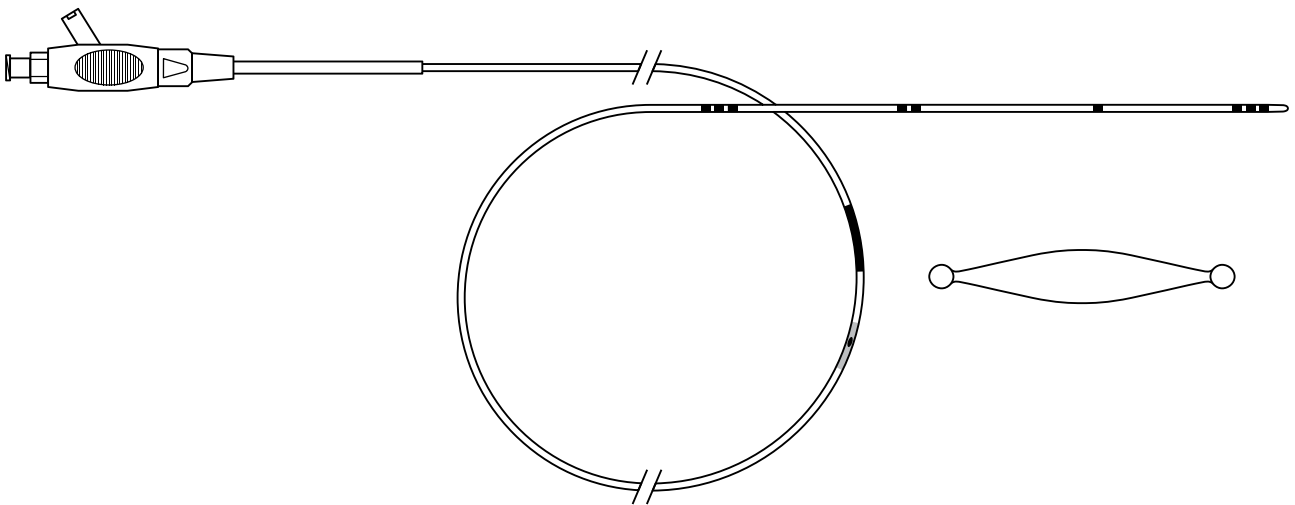
Some products or part numbers may not be available in all markets. Contact your local Cook representative or Customer Service for details regarding: stock/non-stock status (expect longer lead time if non-stock), pricing and/or availability.

Active cord (page 214) available separately.



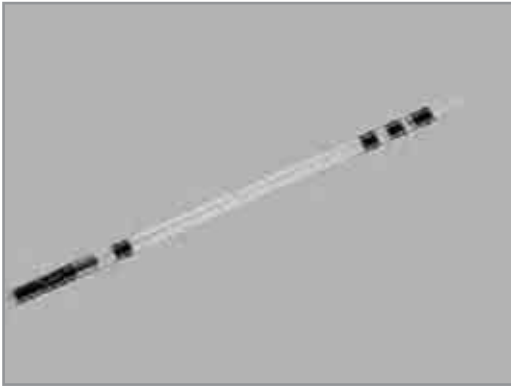
Fusion® OMNI™ ERCP Catheter with DomeTip®

Used for endoscopic cannulation of the ductal system.



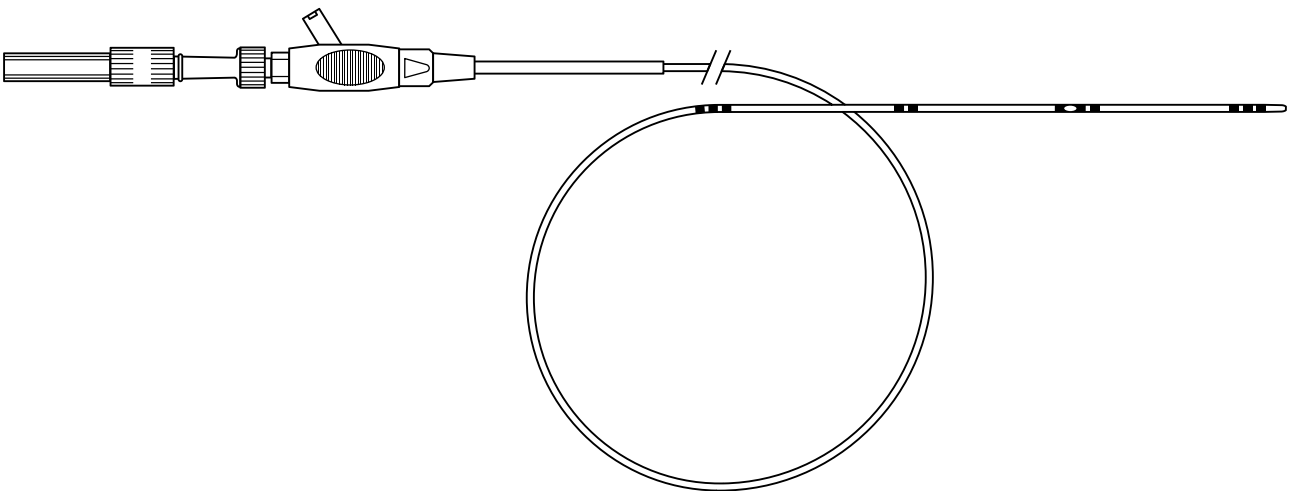
Order Number	Reference Part Number	Catheter Size Fr	Tip Shape	Catheter Length cm	Wire Guide Diameter inch	Minimum Accessory Channel mm
G31590	FS-GT-OMNI	7	DomeTip	200	.035	4.2

Some products or part numbers may not be available in all markets. Contact your local Cook representative or Customer Service for details regarding: stock/non-stock status (expect longer lead time if non-stock), pricing and/or availability.



Fusion® ERCP Catheter with DomeTip®

Used for endoscopic cannulation of the ductal system.



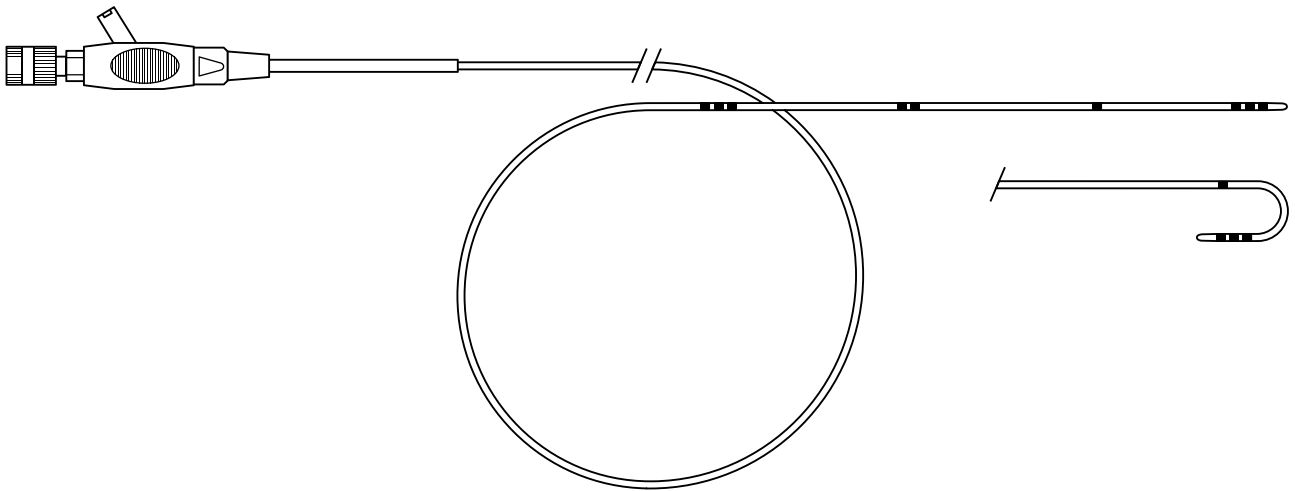
Order Number	Reference Part Number	Catheter Size Fr	Tip Shape	Catheter Length cm	Wire Guide Diameter inch	Minimum Accessory Channel mm
G31528	FS-GT-2	6	DomeTip	200	.035	3.2

Some products or part numbers may not be available in all markets. Contact your local Cook representative or Customer Service for details regarding: stock/non-stock status (expect longer lead time if non-stock), pricing and/or availability.



Glo-Tip II® Double Lumen ERCP Catheter

This device is used for endoscopic cannulation of the ductal system.



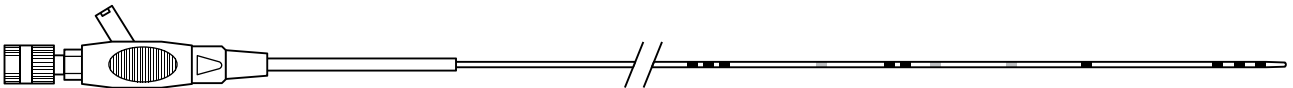
Order Number	Reference Part Number	Catheter Size Fr	Tip Shape	Catheter Length cm	Stylet Length cm	Wire Guide Diameter inch	Minimum Accessory Channel mm
G22226	GT-2-T	6	DomeTip	200	100	.035	2.8
G24506	GT-2-T-ANG	6	DomeTip	200	100	.035	2.8

Some products or part numbers may not be available in all markets. Contact your local Cook representative or Customer Service for details regarding: stock/non-stock status (expect longer lead time if non-stock), pricing and/or availability.



Glo-Tip II® Double Lumen ERCP Catheter with Radiopaque Bands

Used for endoscopic cannulation of the ductal system.



Order Number	Reference Part Number	Catheter Size Fr	Tip Shape	Catheter Length cm	Stylet Length cm	Wire Guide Diameter inch	Minimum Accessory Channel mm
G24694	GT-2-T-RB	6	DomeTip	200	100	.035	2.8

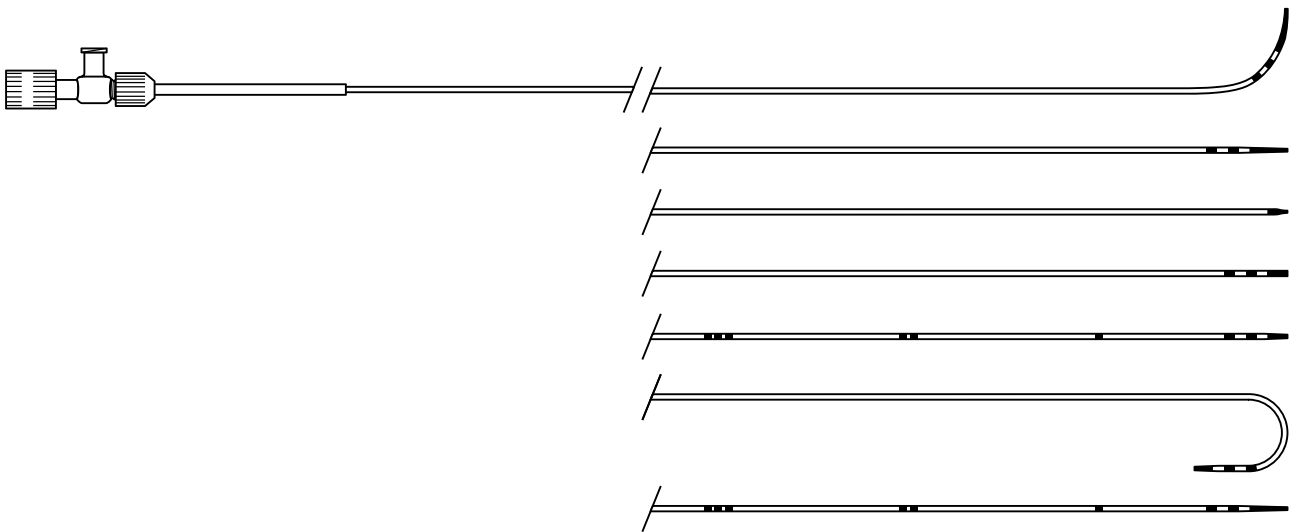
Some products or part numbers may not be available in all markets. Contact your local Cook representative or Customer Service for details regarding: stock/non-stock status (expect longer lead time if non-stock), pricing and/or availability.

Radiopaque bands at 5, 7, 9 and 12 cm.



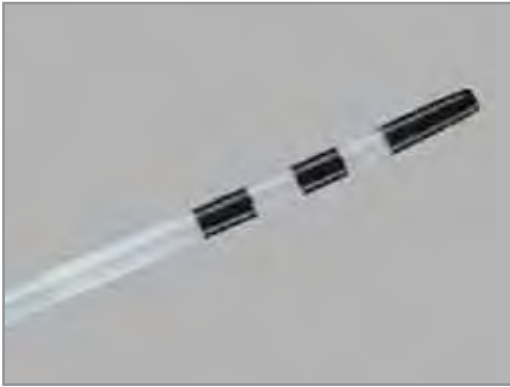
Glo-Tip® ERCP Catheter

Used for endoscopic cannulation of the ductal system.



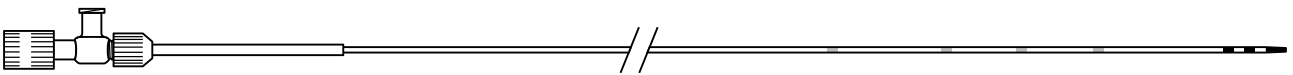
Order Number	Reference Part Number	Catheter Size Fr	Tip Shape	Catheter Length cm	Stylet Length cm	Wire Guide Diameter inch	Minimum Accessory Channel mm
G22302	GT-5-4-3	5.5-3	precurved graduated taper	200	100	.018	2.8
G21452	GT-1-LT	5.5-3.5	long taper	200	100	.021	2.8
G21500	GT-1-ST	5.5-3.5	short taper	200	100	.025	2.8
G22093	GT-1	5.5	standard	200	100	.035	2.8
G22621	GT-1-T	5.5-4.5	taper	200	100	.035	2.8
G22719	GT-1-TE	5.5-4.5	taper	320	220	.035	2.8
G21965	GT-1-T-ANG	5.5-4.5	angled taper	200	100	.035	2.8
G22305	GT-1-UT	5.5-4	ultra taper	200	100	.035	2.8

Some products or part numbers may not be available in all markets. Contact your local Cook representative or Customer Service for details regarding: stock/non-stock status (expect longer lead time if non-stock), pricing and/or availability.



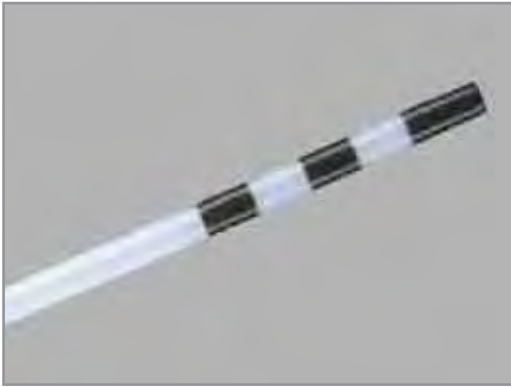
Glo-Tip® ERCP Catheter with Radiopaque Bands

Used for endoscopic cannulation of the ductal system.



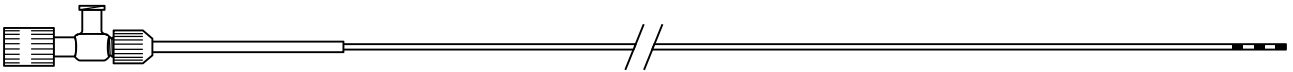
Order Number	Reference Part Number	Catheter Size Fr	Tip Shape	Catheter Length cm	Stylet Length cm	Wire Guide Diameter inch	Minimum Accessory Channel mm
G24693	GT-1-T-RB	5.5-4.5	taper	200	100	.035	2.8

Some products or part numbers may not be available in all markets. Contact your local Cook representative or Customer Service for details regarding: stock/non-stock status (expect longer lead time if non-stock), pricing and/or availability.



Classic ERCP Catheter

Used for endoscopic cannulation of the ductal system.



Order Number	Reference Part Number	Catheter Size Fr	Tip Shape	Catheter Length cm	Stylet Length cm	Wire Guide Diameter inch	Minimum Accessory Channel mm
G22103	ERCP-1-LT	5.5-3.5	long taper	200	100	.021	2.8
G25791	ERCP-1	5.5	standard	200	100	.035	2.8
G22030	ERCP-1-BT*	5.5	metal radiopaque bullet	200	100	.035	2.8
G21765	ERCP-1-CRAMER	5.5	metal cannula	200	100	N/A	2.8

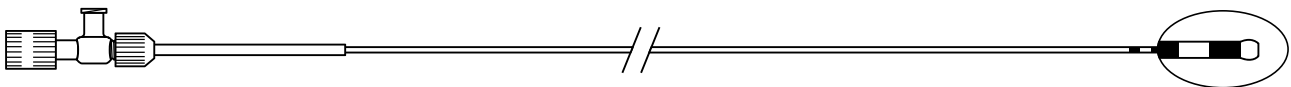
Some products or part numbers may not be available in all markets. Contact your local Cook representative or Customer Service for details regarding: stock/non-stock status (expect longer lead time if non-stock), pricing and/or availability.

*Recommend Standard wire guide (page 35) for metal tip devices, all sold separately.



Huibregtse-Katon® ERCP Catheter

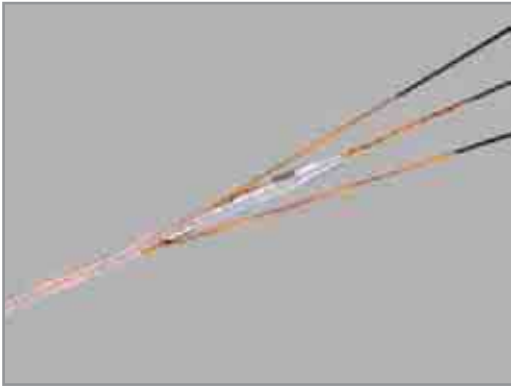
Used for endoscopic cannulation of the ductal system.



Order Number	Reference Part Number	Catheter Size Fr	Tip Shape	Catheter Length cm	Stylet Length cm	Wire Guide Diameter inch	Minimum Accessory Channel mm
G21868	ERCP-1-HKB	5.5	metal ball	200	100	.035	2.8

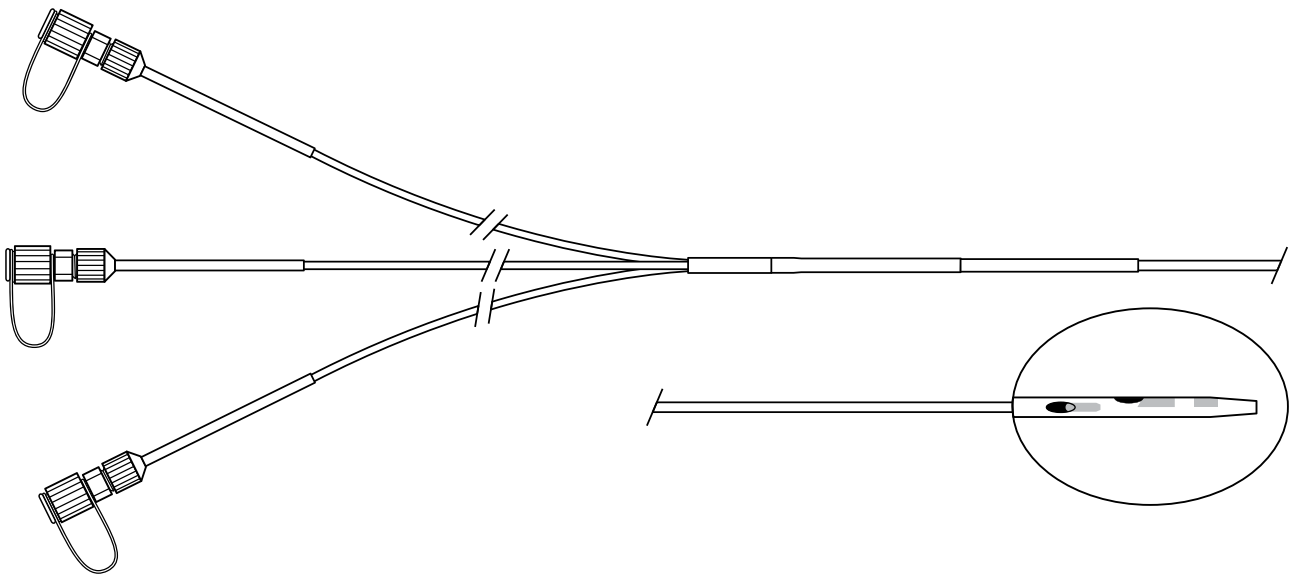
Some products or part numbers may not be available in all markets. Contact your local Cook representative or Customer Service for details regarding: stock/non-stock status (expect longer lead time if non-stock), pricing and/or availability.

Recommend Standard wire guide (page 35), sold separately.



Haber RAMP™ Catheter

Used for endoscopic cannulation of the ductal system.



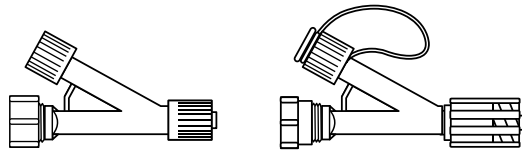
Order Number	Reference Part Number	Catheter Size Fr	Tip Shape	Catheter Length cm	Wire Guide Diameter inch	Description	Minimum Accessory Channel mm
G25194	HRC-1	8-6	taper	200	.035	triple lumen with radiopaque tip and side ramps	3.2

Some products or part numbers may not be available in all markets. Contact your local Cook representative or Customer Service for details regarding: stock/non-stock status (expect longer lead time if non-stock), pricing and/or availability.



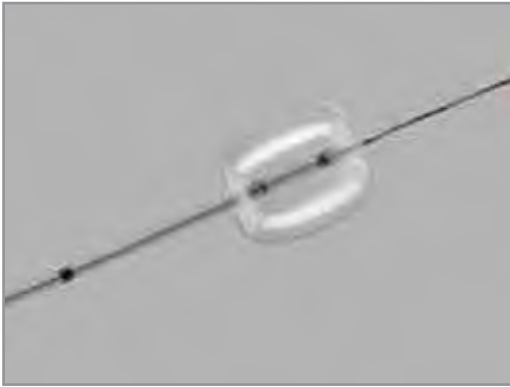
Side Arm Adapter

Used for injection of sterile water or contrast through catheters during wire guide use.



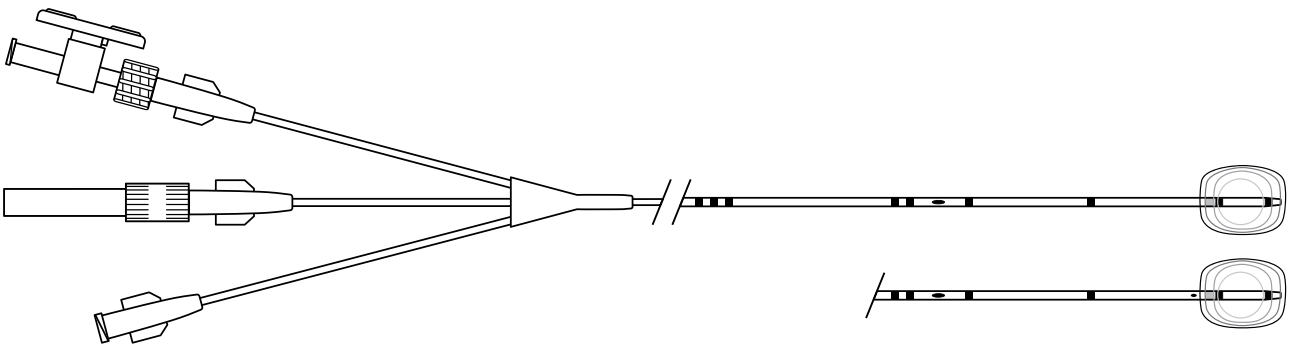
Order Number	Reference Part Number	Description	Wire Guide Diameter inch	Box Quantity
G22676	DSA-1-S	non-rotating	.018 .021 .025 .035	10
G22677	DSA-RA-S	rotatable	.018 .021 .025 .035	10

Some products or part numbers may not be available in all markets. Contact your local Cook representative or Customer Service for details regarding: stock/non-stock status (expect longer lead time if non-stock), pricing and/or availability.



Fusion Quattro® Extraction Balloon

Used for endoscopic removal of stones in the biliary system and for contrast injection.



Order Number	Reference Part Number	Catheter Size Fr	Catheter Length cm	Wire Guide Diameter inch	Balloon Diameter mm	Injection Port	Minimum Accessory Channel mm
G48225	FS-QEB-A	6.6	200	.035	8.5 10 12 15	above balloon	3.2
G48226	FS-QEB-B	6.6	200	.035	8.5 10 12 15	below balloon	3.2
G31921	FS-QEB-XL-A	6.6	200	.035	12 15 18 20	above balloon	3.2
G31922	FS-QEB-XL-B	6.6	200	.035	12 15 18 20	below balloon	3.2

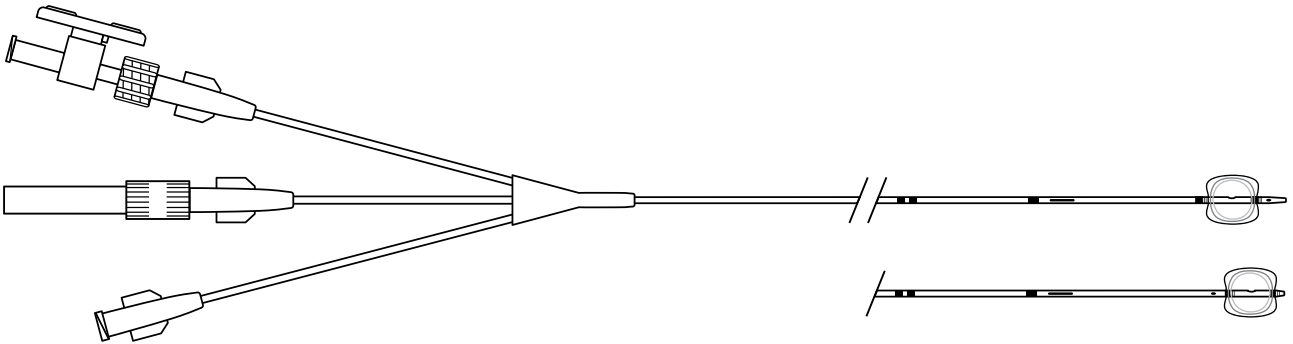
Some products or part numbers may not be available in all markets. Contact your local Cook representative or Customer Service for details regarding: stock/non-stock status (expect longer lead time if non-stock), pricing and/or availability.

Caution: This product contains natural rubber latex, which may cause allergic reactions.



Fusion® Extraction Balloon

Used for endoscopic removal of stones in the biliary system and for contrast injection.



Order Number	Reference Part Number	Catheter Size Fr	Catheter Length cm	Wire Guide Diameter inch	Balloon Diameter mm	Injection Port	Minimum Accessory Channel mm
G31537	FS-8.5-12-15-A	7-5	200	.035	8.5 12 15	above balloon	3.2
G31538	FS-8.5-12-15-B	7-5	200	.035	8.5 12 15	below balloon	3.2

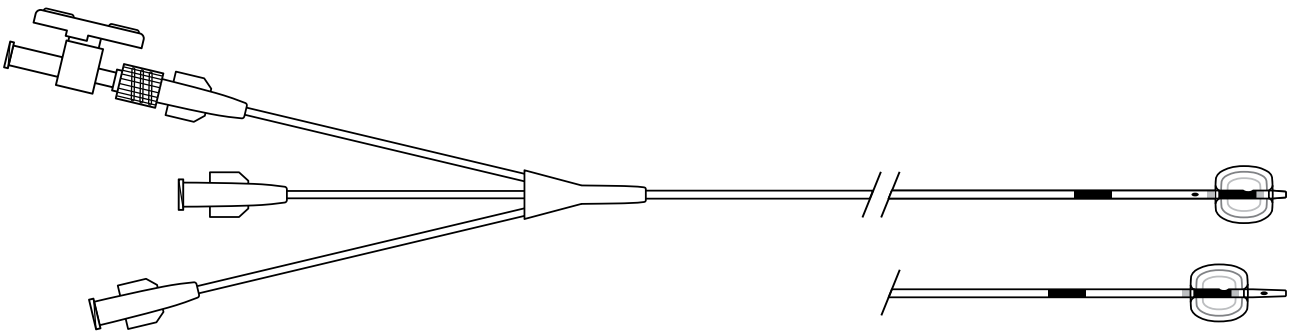
Some products or part numbers may not be available in all markets. Contact your local Cook representative or Customer Service for details regarding: stock/non-stock status (expect longer lead time if non-stock), pricing and/or availability.

Caution: *This product contains natural rubber latex, which may cause allergic reactions.*



Tri-Ex® Multiple Size Extraction Balloon

Used for endoscopic removal of biliary stones.



Order Number	Reference Part Number	Catheter Size Fr	Catheter Length cm	Balloon Diameter mm	Wire Guide Diameter inch	Injection Port	Minimum Accessory Channel mm
G26856	TXR-8.5-12-15-A	7-5	200	8.5 12 15	.035	above balloon	2.8
G26857	TXR-8.5-12-15-B	7-5	200	8.5 12 15	.035	below balloon	2.8
G50695	TXR-ME	6.6	275	8.5 12 15	.035	above balloon	3.2

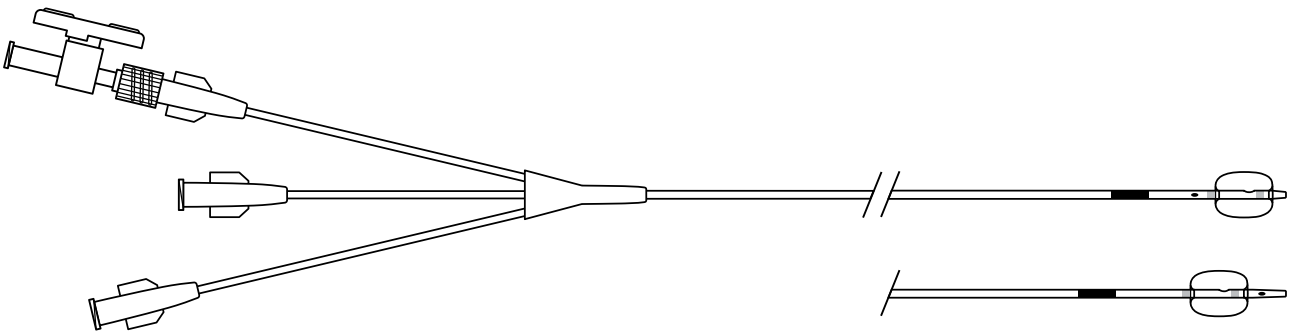
Some products or part numbers may not be available in all markets. Contact your local Cook representative or Customer Service for details regarding: stock/non-stock status (expect longer lead time if non-stock), pricing and/or availability.

Caution: This product contains natural rubber latex, which may cause allergic reactions.



Tri-Ex® Triple Lumen Extraction Balloon

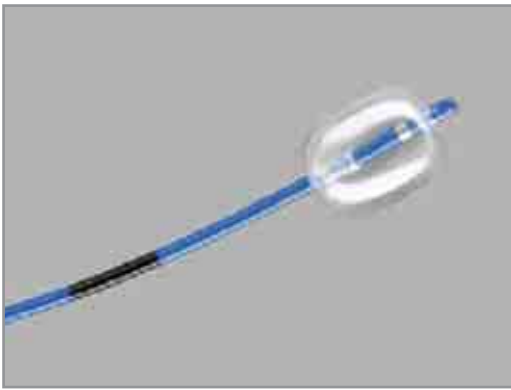
Used for endoscopic removal of biliary stones.



Order Number	Reference Part Number	Catheter Size Fr	Catheter Length cm	Balloon Diameter mm	Wire Guide Diameter inch	Injection Port	Minimum Accessory Channel mm
G22530	TX-8.5-A	7-5	200	8.5	.035	above balloon	2.8
G22531	TX-8.5-B	7-5	200	8.5	.035	below balloon	2.8
G22532	TX-12-A	7-5	200	12	.035	above balloon	2.8
G22533	TX-12-B	7-5	200	12	.035	below balloon	2.8
G22534	TX-15-A	7-5	200	15	.035	above balloon	2.8
G22535	TX-15-B	7-5	200	15	.035	below balloon	2.8

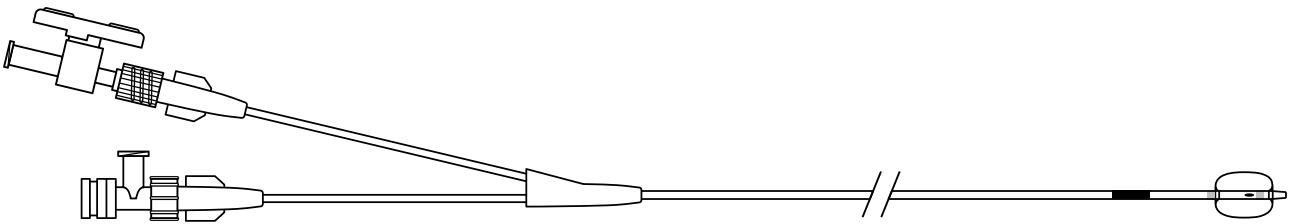
Some products or part numbers may not be available in all markets. Contact your local Cook representative or Customer Service for details regarding: stock/non-stock status (expect longer lead time if non-stock), pricing and/or availability.

Caution: This product contains natural rubber latex, which may cause allergic reactions.



Escort II® Double Lumen Extraction Balloon

Used for endoscopic removal of biliary stones.



Order Number	Reference Part Number	Catheter Size Fr	Catheter Length cm	Balloon Diameter mm	Wire Guide Diameter inch	Tip Shape	Minimum Accessory Channel mm
G21664	EBL-8.5-200	6.8-5	200	8.5	.035	taper	2.8
G21603	EBL-12-200	6.8-5	200	12	.035	taper	2.8
G22262	EBL-15-200	6.8-5	200	15	.035	taper	2.8

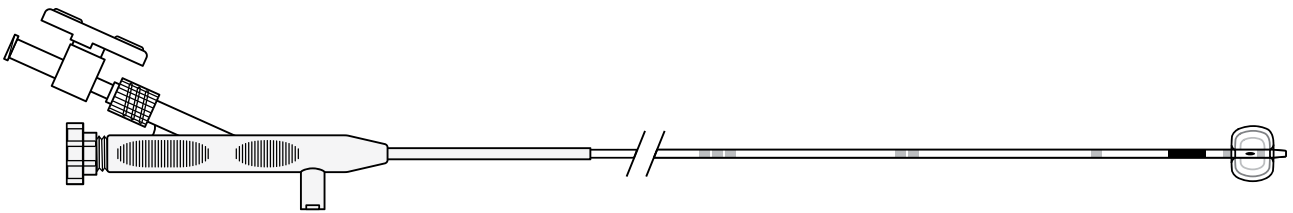
Some products or part numbers may not be available in all markets. Contact your local Cook representative or Customer Service for details regarding: stock/non-stock status (expect longer lead time if non-stock), pricing and/or availability.

Caution: This product contains natural rubber latex, which may cause allergic reactions.



D.A.S.H.® Extraction Balloon with Multiple Sizing

Used for endoscopic removal of biliary stones.



Order Number	Reference Part Number	Catheter Size Fr	Catheter Length cm	Balloon Diameter mm	Wire Guide Diameter inch	Minimum Accessory Channel mm
G25620	DASH-8.5-12-15	6	200	8.5 12 15	.025	2.8

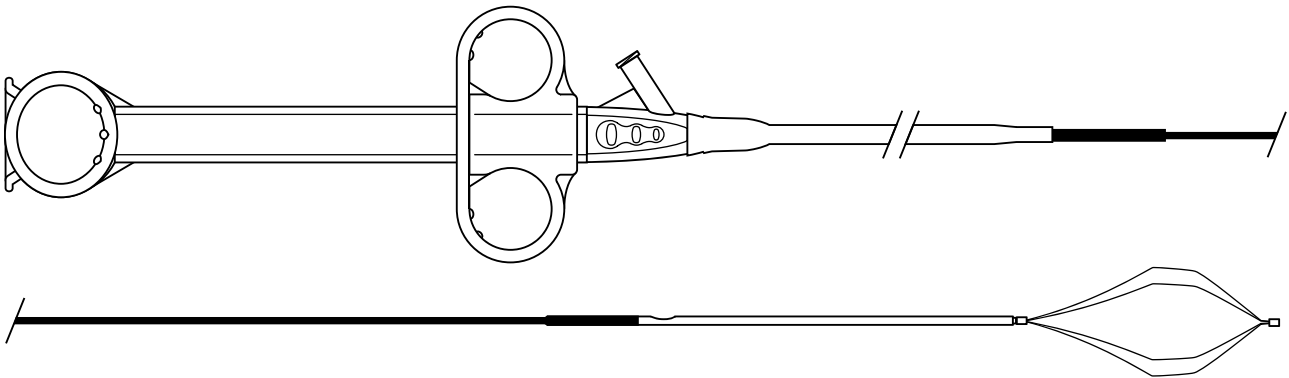
Some products or part numbers may not be available in all markets. Contact your local Cook representative or Customer Service for details regarding: stock/non-stock status (expect longer lead time if non-stock), pricing and/or availability.

Caution: This product contains natural rubber latex, which may cause allergic reactions.



Fusion® Lithotripsy Extraction Basket

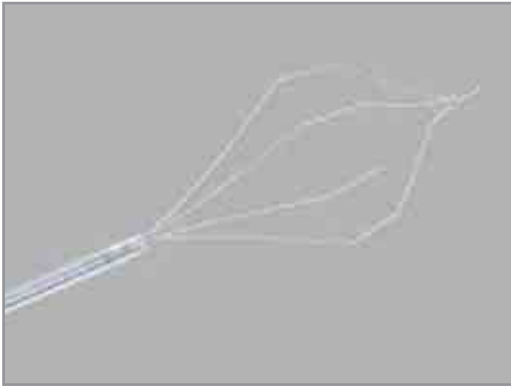
Used for endoscopic removal of biliary stones and foreign bodies.



Order Number	Reference Part Number	Basket Diameter cm	Basket Length cm	Sheath Size Fr	Sheath Length cm	Wire Guide Diameter inch	Minimum Accessory Channel mm
G48277	FS-LXB-2X4	2	4	10	208	.035	4.2
G48278	FS-LXB-3X6	3	6	10	208	.035	4.2

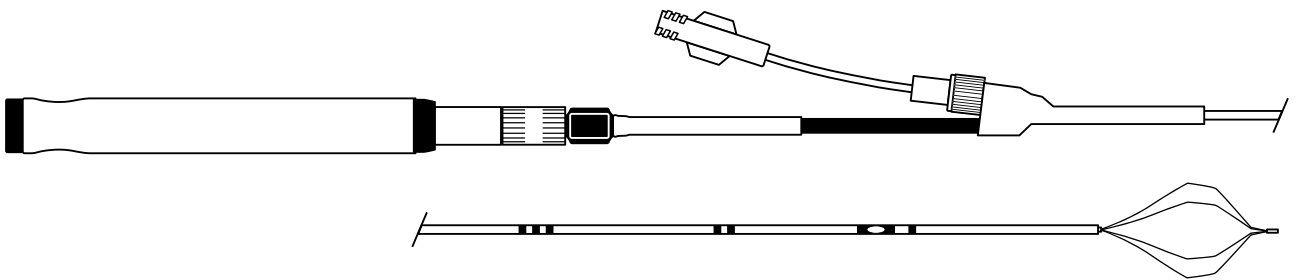
Some products or part numbers may not be available in all markets. Contact your local Cook representative or Customer Service for details regarding: stock/non-stock status (expect longer lead time if non-stock), pricing and/or availability.

Compatible with Conquest TTC (page 74) and Soehendra Lithotripter Handle (page 75).



Fusion® Extraction Basket

Used for endoscopic removal of biliary stones and foreign bodies.



Order Number	Reference Part Number	Basket Diameter cm	Basket Length cm	Sheath Size Fr	Sheath Length cm	Wire Guide Diameter inch	Minimum Accessory Channel mm
G31905	FS-XB-2X4	2	4	8	200	.035	4.2

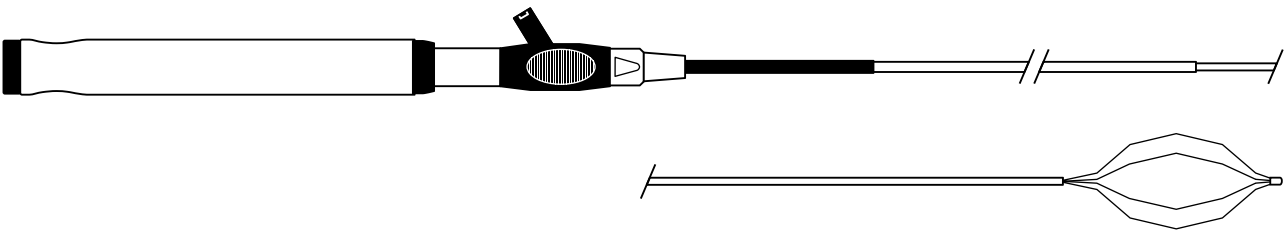
Some products or part numbers may not be available in all markets. Contact your local Cook representative or Customer Service for details regarding: stock/non-stock status (expect longer lead time if non-stock), pricing and/or availability.

Not to be used with mechanical lithotripter.



The Web® Extraction Basket

Used for endoscopic removal of biliary stones and foreign bodies.



Order Number	Reference Part Number	Sheath Size Fr	Sheath Length cm	Multifilament Basket Size cm	Minimum Accessory Channel mm
G22775	WEB-1.5X3.5	7	220	1.5 x 3.5	2.8
G22776	WEB-2X4	7	220	2 x 4	2.8
G22777	WEB-2.5X5	7	220	2.5 x 5	2.8
G22778	WEB-3X6	7	220	3 x 6	2.8

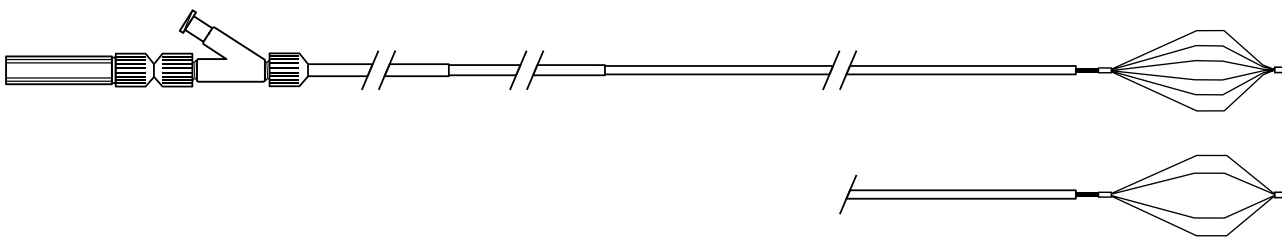
Some products or part numbers may not be available in all markets. Contact your local Cook representative or Customer Service for details regarding: stock/non-stock status (expect longer lead time if non-stock), pricing and/or availability.

Compatible with Conquest TTC (page 74) and Soehendra Lithotripter Handle (page 75).



Memory Basket® 7 Fr Soft Wire

Used for endoscopic removal of biliary stones and foreign bodies.



Order Number	Reference Part Number	Sheath Size Fr	Sheath Length cm	Multifilament Basket Size cm	Number of Wires	Handle Type	Minimum Accessory Channel mm
G22136	MSB-1.5X3.5	7	220	1.5 x 3.5	4	rotatable pin vise	2.8
G21525	MSB-2X4	7	220	2 x 4	4	rotatable pin vise	2.8
G21544	MSB-2X4-6	7	220	2 x 4	6	rotatable pin vise	2.8
G22019	MSB-2.5X5	7	220	2.5 x 5	4	rotatable pin vise	2.8
G21562	MSB-3X6	7	220	3 x 6	4	rotatable pin vise	2.8
G21913	MSB-3X6-6	7	220	3 x 6	6	rotatable pin vise	2.8

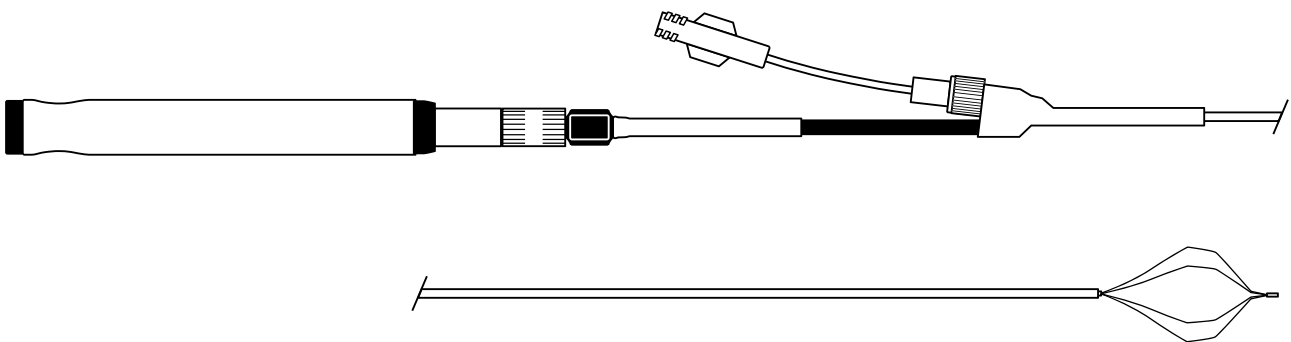
Some products or part numbers may not be available in all markets. Contact your local Cook representative or Customer Service for details regarding: stock/non-stock status (expect longer lead time if non-stock), pricing and/or availability.

Compatible with Conquest TTC (page 74) and Soehendra Lithotripter (page 75).



The Web® II Double Lumen Extraction Basket

Used for endoscopic removal of biliary stones and foreign bodies.



Order Number	Reference Part Number	Sheath Size Fr	Sheath Length cm	Wire Guide Diameter inch	Multifilament Basket Size cm	Minimum Accessory Channel mm
G22303	MSB-35-2X4	8	200	.035	2 x 4	3.2

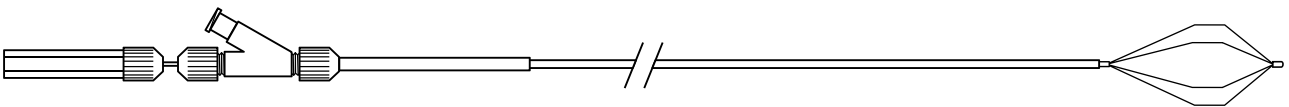
Some products or part numbers may not be available in all markets. Contact your local Cook representative or Customer Service for details regarding: stock/non-stock status (expect longer lead time if non-stock), pricing and/or availability.

Not for use with mechanical lithotripter.



Memory Basket® 5 Fr Soft Wire

Used for endoscopic removal of biliary stones and foreign bodies.



Order Number	Reference Part Number	Sheath Size Fr	Sheath Length cm	Multifilament Basket Size cm	Handle Type	Minimum Accessory Channel mm
G21547	MSB5-2X4	5	200	2 x 4	rotatable pin vise	2

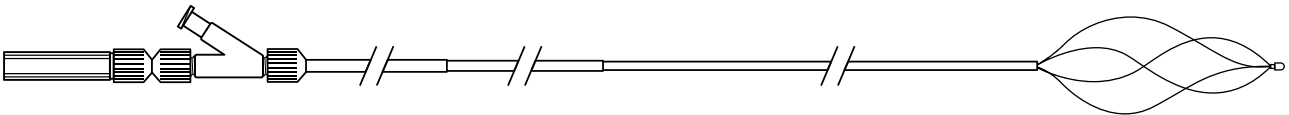
Some products or part numbers may not be available in all markets. Contact your local Cook representative or Customer Service for details regarding: stock/non-stock status (expect longer lead time if non-stock), pricing and/or availability.

Not for use with mechanical lithotripter.



Memory Basket® 7 Fr Hard Wire

Used for endoscopic removal of biliary stones and foreign bodies.



Order Number	Reference Part Number	Sheath Size Fr	Sheath Length cm	Monofilament Basket Size cm	Handle Type	Minimum Accessory Channel mm
G22002	MWB-2X4	7	200	2 x 4	rotatable pin vise	2.8
G22074	MWB-3X6	7	200	3 x 6	rotatable pin vise	2.8

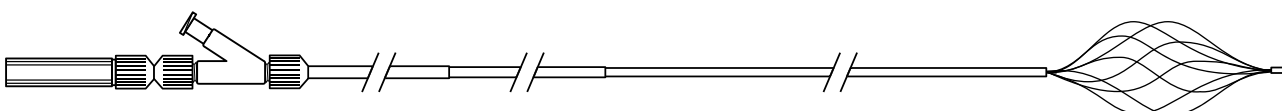
Some products or part numbers may not be available in all markets. Contact your local Cook representative or Customer Service for details regarding: stock/non-stock status (expect longer lead time if non-stock), pricing and/or availability.

Not for use with mechanical lithotripter.



Memory Basket® Eight Wire

Used for endoscopic removal of biliary stones and foreign bodies.



Order Number	Reference Part Number	Sheath Size Fr	Sheath Length cm	Monofilament Basket Size cm	Handle Type	Minimum Accessory Channel mm
G21538	MB5-2X4-8	5	200	2 x 4	rotatable pin vise	2
G21910	MB5-3X6-8	5	200	3 x 6	rotatable pin vise	2

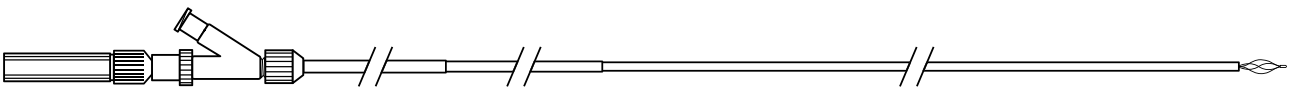
Some products or part numbers may not be available in all markets. Contact your local Cook representative or Customer Service for details regarding: stock/non-stock status (expect longer lead time if non-stock), pricing and/or availability.

Not for use with mechanical lithotripter.



Mini Basket

Used for endoscopic removal of biliary stones and foreign bodies.



Order Number	Reference Part Number	Sheath Size Fr	Sheath Length cm	Monofilament Basket Size cm	Handle Type	Minimum Accessory Channel mm
G21618	WCMB-200-4	5	200	5 mm x 1.3	rotatable pin vise	2

Some products or part numbers may not be available in all markets. Contact your local Cook representative or Customer Service for details regarding: stock/non-stock status (expect longer lead time if non-stock), pricing and/or availability.

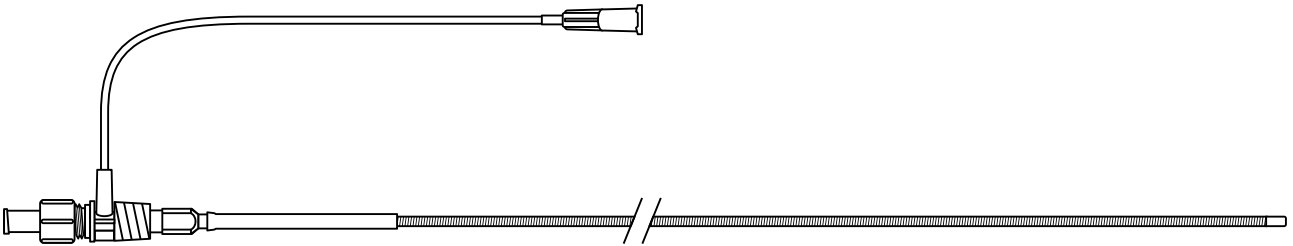
Not for use with mechanical lithotripter.



Conquest TTC® Lithotripter Cable

Used to mechanically crush stones in the biliary duct when other methods of endoscopic removal have failed.

This device is supplied non-sterile and is disposable - intended for single use only.



Order Number	Reference Part Number	Cable Size Fr	Cable Length cm	Minimum Accessory Channel mm
G25472	TTCL-1	8.5	170	3.2
G25518	TTCL-10	10	170	3.7

Some products or part numbers may not be available in all markets. Contact your local Cook representative or Customer Service for details regarding: stock/non-stock status (expect longer lead time if non-stock), pricing and/or availability.

Soehendra Lithotripter Handle (page 75) sold separately.

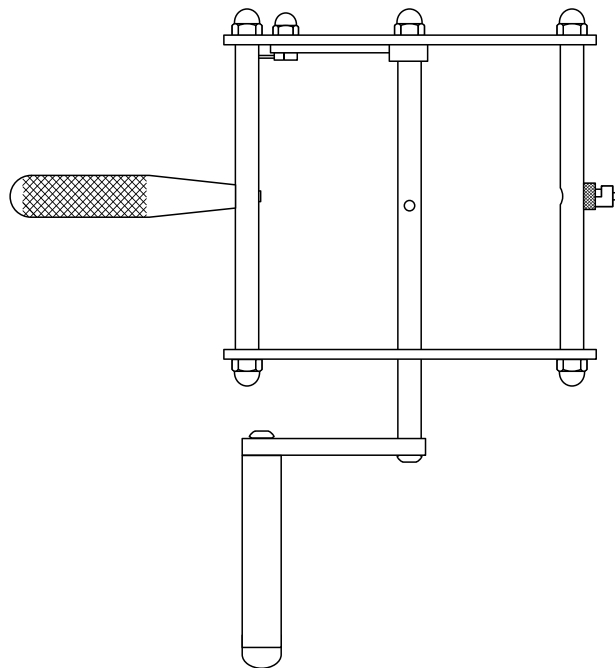
Compatible with Memory Basket 7 Fr Soft Wire (page 68), The Web Extraction Baskets (page 67) and Fusion Lithotripsy Extraction Basket (page 65), sold separately.



Soehendra® Lithotripter

Used to mechanically crush stones in the bile duct when other methods of endoscopic removal have failed.

This device is supplied non-sterile.



Order Number	Reference Part Number	Cable Size Fr	Cable Length cm	Description
G21860	SLH-1	n/a	n/a	aluminum lithotripsy handle
G21604	SLC-2	14	82	lithotripsy cable

Some products or part numbers may not be available in all markets. Contact your local Cook representative or Customer Service for details regarding: stock/non-stock status (expect longer lead time if non-stock), pricing and/or availability.

Compatible with Memory Basket 7 Fr Soft Wire (page 68), The Web Extraction Baskets (page 67) and Fusion Lithotripsy Extraction Basket (page 65), sold separately.

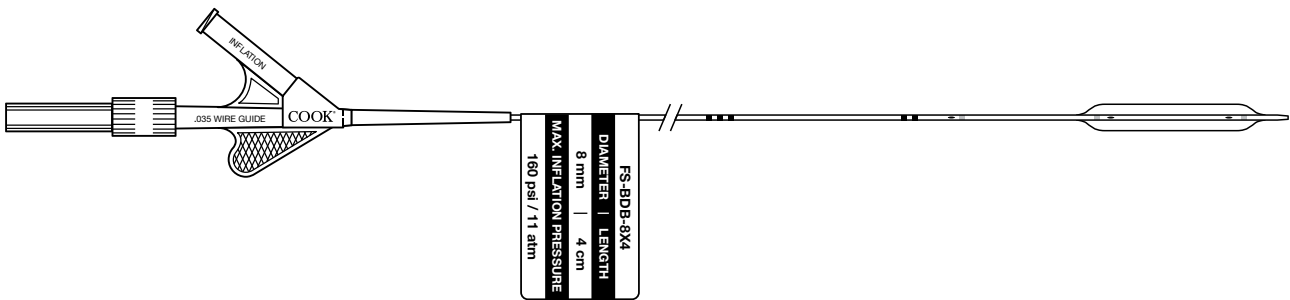
SLH-1 compatible with Conquest TTC (page 74).

SLC-2 not compatible with Fusion Lithotripsy Extraction Basket.



Fusion® Titan™ Biliary Dilation Balloon

Used to dilate strictures of the biliary tree.



Order Number	Reference Part Number	Catheter Length cm	Wire Guide Diameter inch	Balloon Diameter mm	Balloon Diameter Fr	Balloon Length cm	Minimum Accessory Channel mm
G49219	FS-BDB-4X4	190	.035	4	12	4	3.2
G49220	FS-BDB-6X4	190	.035	6	18	4	3.2
G49221	FS-BDB-8X4	190	.035	8	24	4	3.2
G49222	FS-BDB-10X4	190	.035	10	30	4	3.2

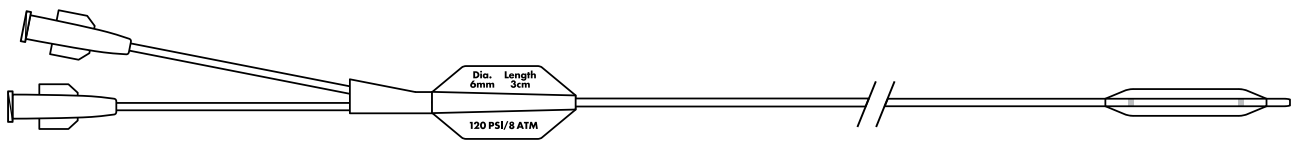
Some products or part numbers may not be available in all markets. Contact your local Cook representative or Customer Service for details regarding: stock/non-stock status (expect longer lead time if non-stock), pricing and/or availability.

Compatible with the Quantum Biliary Inflation Device (page 78).



Quantum TTC® Biliary Balloon Dilator

Used to dilate strictures of the biliary tree.



Order Number	Reference Part Number	Catheter Size Fr	Catheter Length cm	Wire Guide Diameter inch	Balloon Diameter mm/Fr	Pressure atm	Pressure psi	Minimum Accessory Channel mm
G22654	QBD-4X3	6.8-5.5	180	.035	4/12	10	150	2.8
G22655	QBD-6X3	6.8-5.5	180	.035	6/18	8	120	2.8
G22765	QBD-6X3-E	6.8-5.5	320	.035	6/18	8	120	2.8
G22656	QBD-8X3	6.8-5.5	180	.035	8/24	8	120	2.8
G22766	QBD-8X3-E	6.8-5.5	320	.035	8/24	8	120	2.8
G22657	QBD-10X3	6.8-5.5	180	.035	10/30	6	90	2.8
G22767	QBD-10X3-E	6.8-5.5	320	.035	10/30	6	90	2.8

Some products or part numbers may not be available in all markets. Contact your local Cook representative or Customer Service for details regarding: stock/non-stock status (expect longer lead time if non-stock), pricing and/or availability.

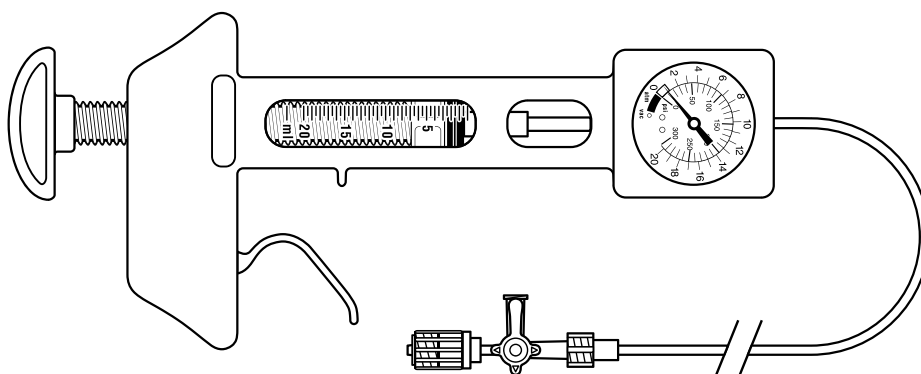
Balloon length 3 cm.

Compatible with the Quantum Biliary Inflation Device (page 78).



Quantum™ Biliary Inflation Device

Used to inflate, deflate and monitor pressure for biliary dilation balloons.



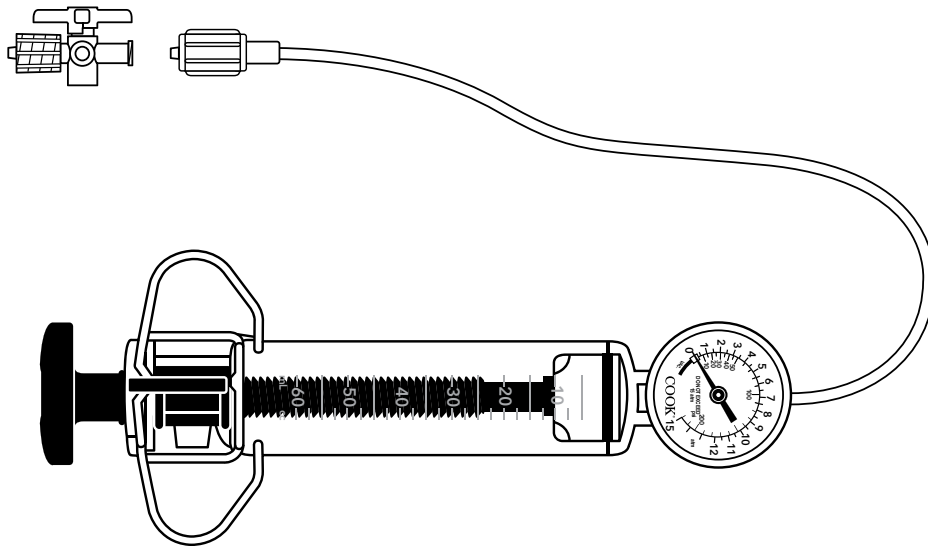
Order Number	Reference Part Number	Fluid Capacity	Gauge Accuracy
G22658	QBID-1	20 cc	± .5 atm or 7 psi

Some products or part numbers may not be available in all markets. Contact your local Cook representative or Customer Service for details regarding: stock/non-stock status (expect longer lead time if non-stock), pricing and/or availability.



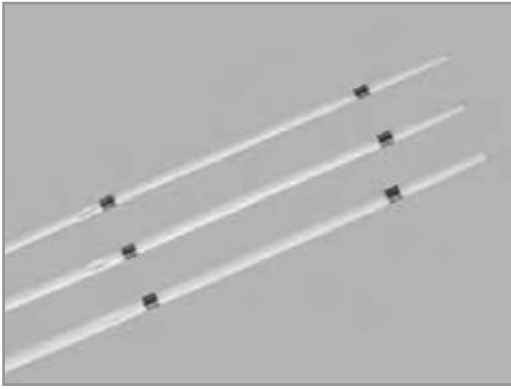
Cook Sphere® Inflation Device

Used to inflate the balloon with fluid, to monitor the pressure in the balloon during the procedure, and to deflate the balloon after dilation.



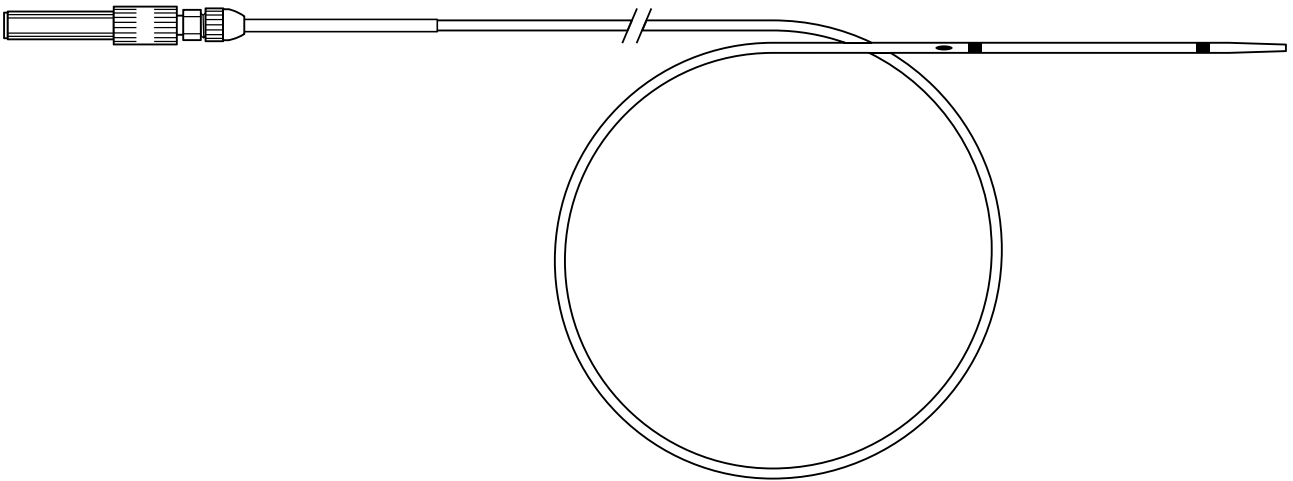
Order Number	Reference Part Number	Fluid Capacity	Maximum Pressure atm
G34903	CID-60-15	60 cc	15

Some products or part numbers may not be available in all markets. Contact your local Cook representative or Customer Service for details regarding: stock/non-stock status (expect longer lead time if non-stock), pricing and/or availability.



Fusion® Biliary Dilation Catheter

Used to dilate biliary strictures. This device is indicated for adult use only.



Order Number	Reference Part Number	Catheter Size Fr	Catheter Length cm	Wire Guide Diameter inch	Tip Shape	Minimum Accessory Channel mm
G49571	FS-BDC-7	6.9-5	195	.035	DomeTip	4.2
G49572	FS-BDC-8.5	8.4-6	195	.035	DomeTip	4.2
G49573	FS-BDC-10	9.6-7	195	.035	DomeTip	4.2

Some products or part numbers may not be available in all markets. Contact your local Cook representative or Customer Service for details regarding: stock/non-stock status (expect longer lead time if non-stock), pricing and/or availability.



Cotton® Graduated Dilation Catheter

Used to dilate biliary strictures. This device is indicated for adult use only.



Order Number	Reference Part Number	Catheter Size Fr	Catheter Length cm	Taper Size Fr	Wire Guide Diameter inch	Minimum Accessory Channel mm
G22061	CGDC-8.5-7-5	8.4	195	7-5	.035	3.2
G22104	CGDC-10-7-5	9.6	195	7-5	.035	3.7

Some products or part numbers may not be available in all markets. Contact your local Cook representative or Customer Service for details regarding: stock/non-stock status (expect longer lead time if non-stock), pricing and/or availability.



Geenen® Graduated Dilation Catheter

Used to dilate stenotic minor papilla. This device is indicated for adult use only.



Order Number	Reference Part Number	Catheter Size Fr	Catheter Length cm	Taper Size Fr	Wire Guide Diameter inch	Minimum Accessory Channel mm
G21613	GGDC-7-5-4	6.9	195	5-4	.025	2.8

Some products or part numbers may not be available in all markets. Contact your local Cook representative or Customer Service for details regarding: stock/non-stock status (expect longer lead time if non-stock), pricing and/or availability.



Soehendra® Biliary Dilation Catheter

Used to dilate biliary strictures. This device is indicated for adult use only.



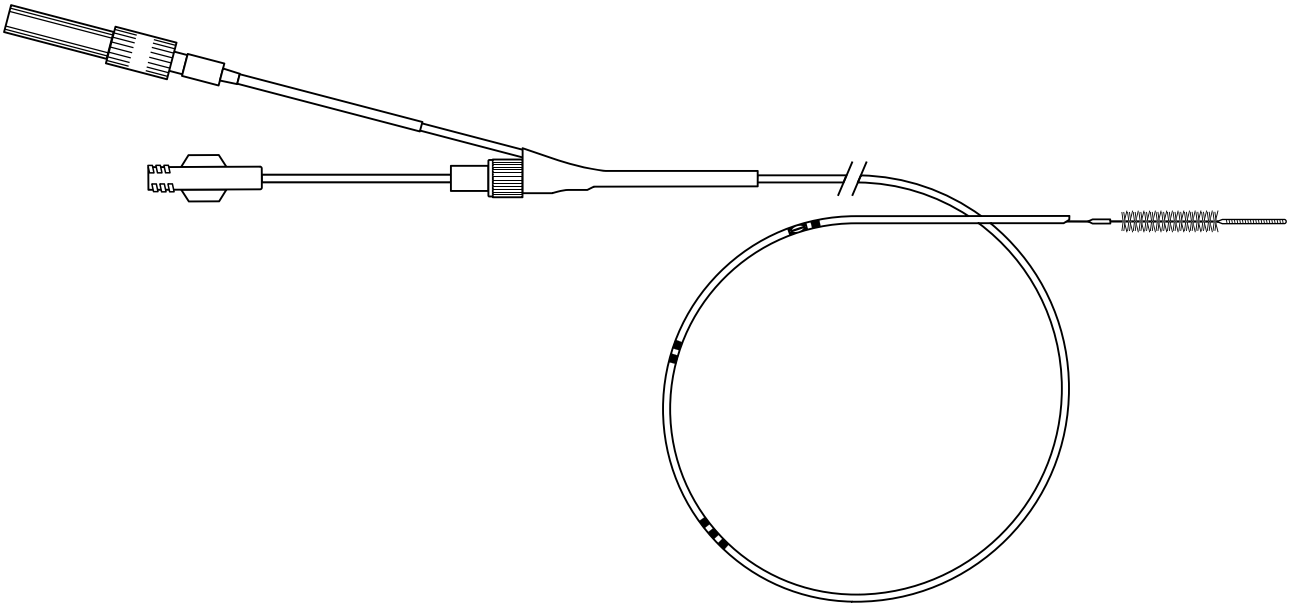
Order Number	Reference Part Number	Catheter Size Fr	Catheter Length cm	Wire Guide Diameter inch	Minimum Accessory Channel mm
G21571	SBDC-6	6-4	195	.035	2.8
G21573	SBDC-7	6.9-4	195	.035	2.8
G50800	SBDC-7E	6.9-4	278	.035	2.8
G22062	SBDC-8.5	8.4-5	195	.035	3.2
G21576	SBDC-9	9-6	195	.035	3.7
G21729	SBDC-10	9.6-6	195	.035	3.7
G22046	SBDC-11.5	11.4-7	195	.035	4.2

Some products or part numbers may not be available in all markets. Contact your local Cook representative or Customer Service for details regarding: stock/non-stock status (expect longer lead time if non-stock), pricing and/or availability.



Fusion® Cytology Brush

Used for the collection of cells in the biliary system.



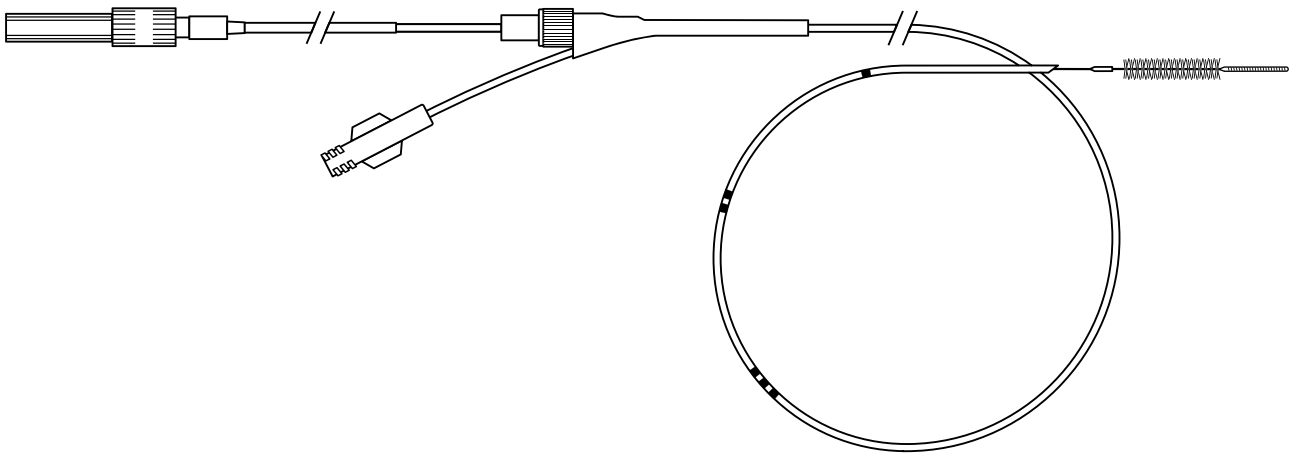
Order Number	Reference Part Number	Catheter Size Fr	Catheter Length cm	Wire Guide Diameter inch	Brush Diameter mm	Brush Length cm	Filiform Tip Size cm	Minimum Accessory Channel mm
G31525	FS-CB-1.5-S	8	200	.035	3	2.5	1.5	4.2
G49091	FS-CB-6	6	200	.035	3	2.5	none	3.2

Some products or part numbers may not be available in all markets. Contact your local Cook representative or Customer Service for details regarding: stock/non-stock status (expect longer lead time if non-stock), pricing and/or availability.



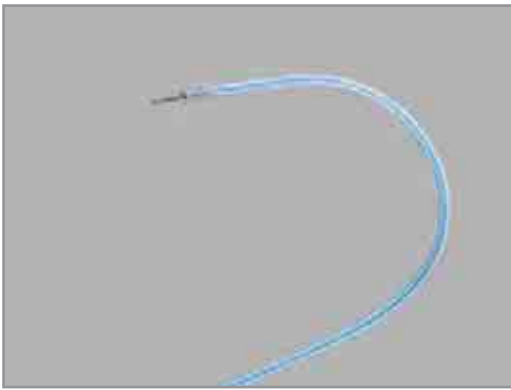
CytoMax II® Double Lumen Cytology Brush

Used to collect cells in the biliary system.



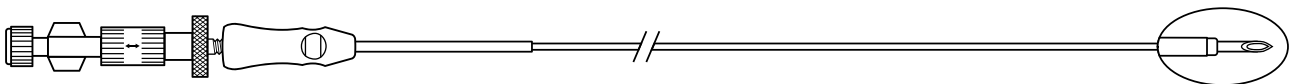
Order Number	Reference Part Number	Catheter Size Fr	Catheter Length cm	Wire Guide Diameter inch	Brush Diameter mm	Brush Length cm	Filiform Tip Size cm	Minimum Accessory Channel mm
G22672	DLB-21-1.5-S	6.6	185	.021	3	2.5	1.5	2.8
G22673	DLB-21-3.5-S	6.6	185	.021	3	2.5	3.5	2.8
G22674	DLB-35-1.5-S	8	200	.035	3	2.5	1.5	3.2
G22675	DLB-35-3.5-S	8	200	.035	3	2.5	3.5	3.2
G24741	DLB-35-S	8	200	.035	3	2.5	none	3.2

Some products or part numbers may not be available in all markets. Contact your local Cook representative or Customer Service for details regarding: stock/non-stock status (expect longer lead time if non-stock), pricing and/or availability.



Howell Biliary Aspiration Needle

Used for aspiration biopsy in the biliary system.



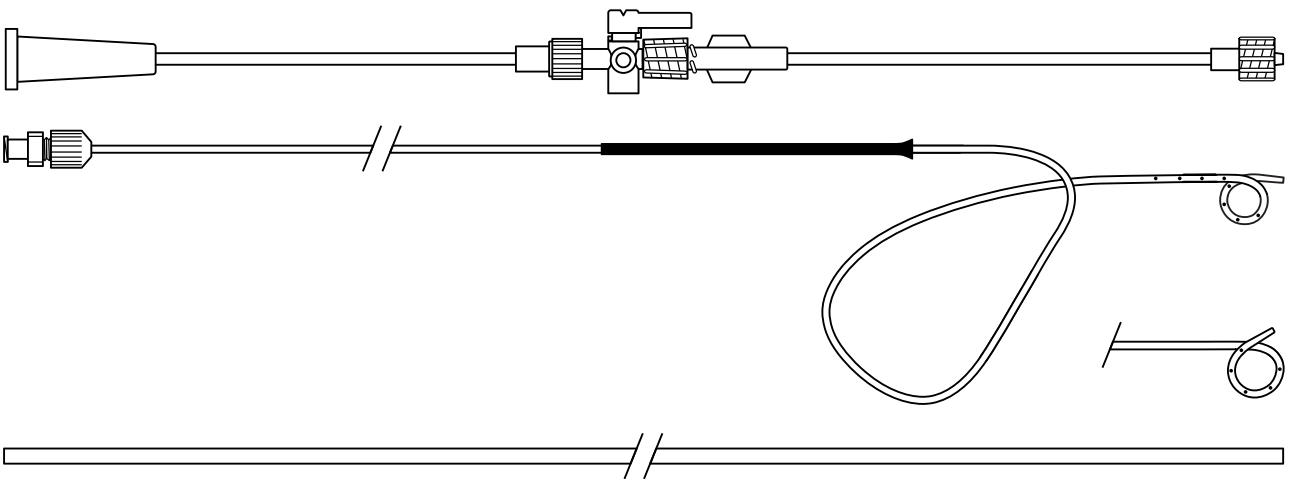
Order Number	Reference Part Number	Catheter Size Fr	Catheter Length cm	Needle Size gauge	Needle Extension Length mm	Minimum Accessory Channel mm
G21791	HBAN-1-22	7	200	22	7.5	2.8

Some products or part numbers may not be available in all markets. Contact your local Cook representative or Customer Service for details regarding: stock/non-stock status (expect longer lead time if non-stock), pricing and/or availability.



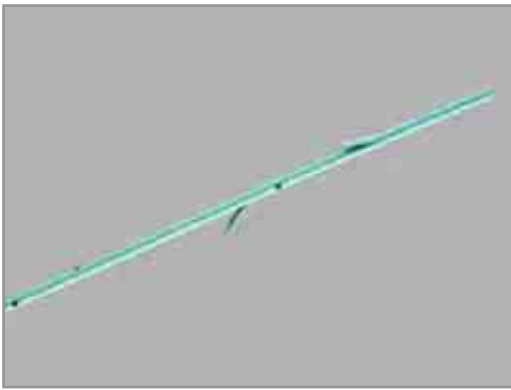
Nasal Biliary Drainage Sets

Used for temporary endoscopic drainage of the biliary duct through the nasal passage by use of an indwelling catheter.



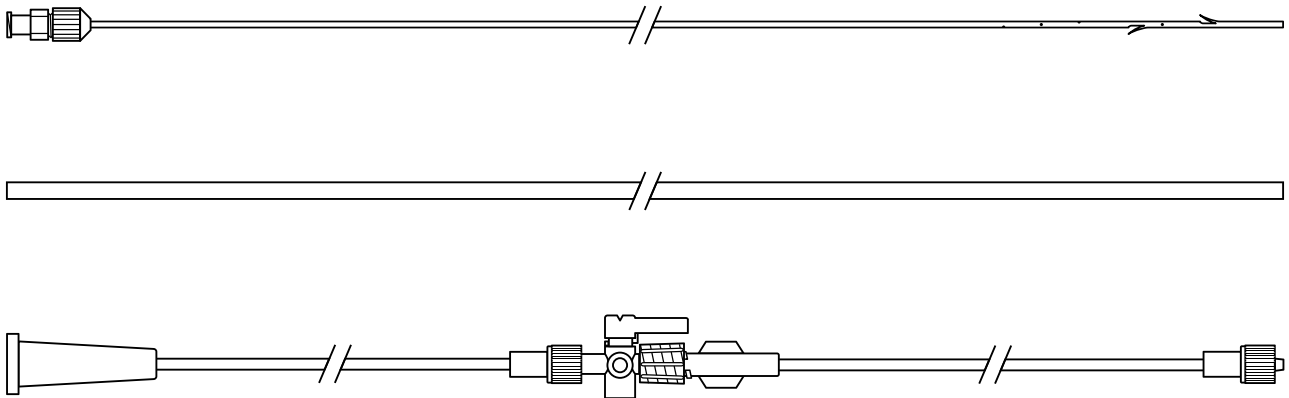
Order Number	Reference Part Number	Catheter Size Fr	Catheter Length cm	Wire Guide Diameter inch	Number of Sideholes	Drainage Catheter Configuration	Minimum Accessory Channel mm
G21583	ENBD-5	5	250	.035	5	pigtail	2
G21943	ENBD-5-LIGUORY	5	235	.035	9	pigtail with alpha curve	2
G22423	ENBD-5-LIGUORY-RT	5	235	.035	9	pigtail with alpha curve	2
G21585	ENBD-6	6	250	.035	5	pigtail	2.8
G21725	ENBD-6-LIGUORY	6	235	.035	9	pigtail with alpha curve	2.8
G21586	ENBD-7	7	250	.035	5	pigtail	2.8
G21521	ENBD-7-LIGUORY	7	235	.035	9	pigtail with alpha curve	2.8

Some products or part numbers may not be available in all markets. Contact your local Cook representative or Customer Service for details regarding: stock/non-stock status (expect longer lead time if non-stock), pricing and/or availability.



Nasal Pancreatic Drainage Set

Used for temporary endoscopic drainage of the pancreatic duct through the nasal passage by use of an indwelling catheter.



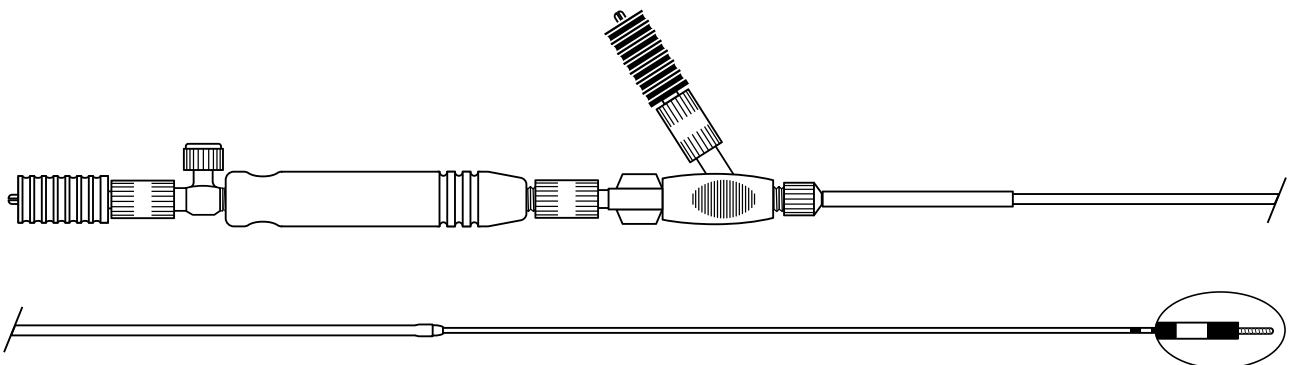
Order Number	Reference Part Number	Catheter Size Fr	Catheter Length cm	Catheter Type	Wire Guide Diameter inch	Minimum Accessory Channel mm
G21466	NPDS-5	5	250	straight with flaps	.035	2

Some products or part numbers may not be available in all markets. Contact your local Cook representative or Customer Service for details regarding: stock/non-stock status (expect longer lead time if non-stock), pricing and/or availability.



Cystotome™ Cystoenterostomy Needle Knife

Used to electrocauterize a hole in the transgastric or transduodenal wall and into a pancreatic pseudocyst, when it is visibly bulging into the gastrointestinal tract.



Order Number	Reference Part Number	Outer Catheter Size Fr	Outer Catheter Length cm	Inner Catheter Size Fr	Inner Catheter Length cm	Wire Guide Diameter inch	Diathermic Ring Size Fr	Minimum Accessory Channel mm
G30550	CST-10	10	165	5	190	.035	10	3.7

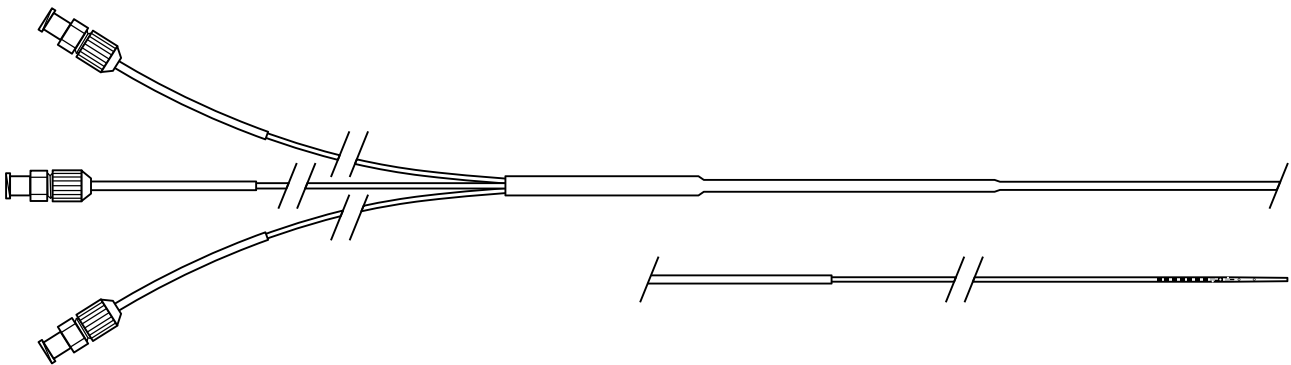
Some products or part numbers may not be available in all markets. Contact your local Cook representative or Customer Service for details regarding: stock/non-stock status (expect longer lead time if non-stock), pricing and/or availability.

Active cord (page 214) available separately.



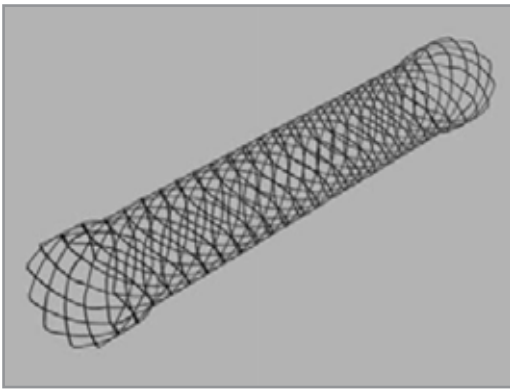
Lehman Sphincter of Oddi Manometry Catheter

Used for motility studies in the common bile duct, pancreatic duct, Sphincter of Oddi and duodenum.



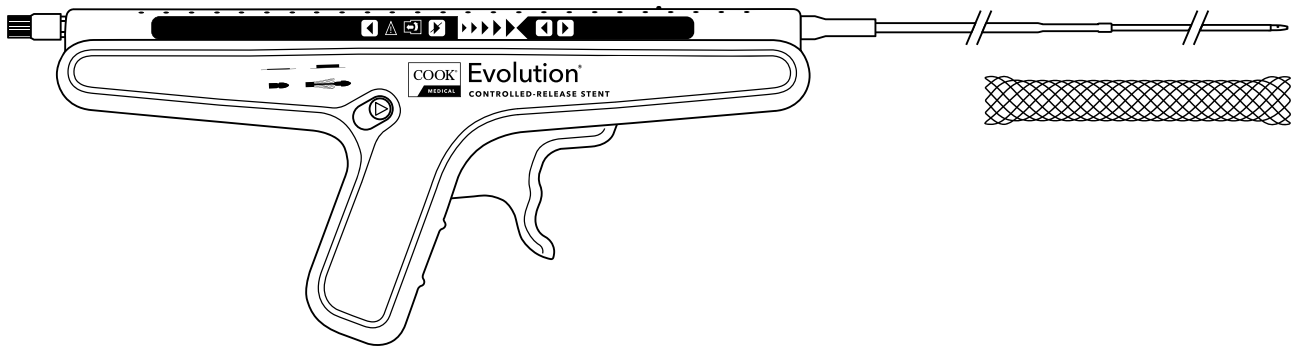
Order Number	Reference Part Number	Catheter Size Fr	Working Length cm	Wire Guide Diameter inch	Tip Length mm	Tip Shape	Minimum Accessory Channel mm
G24972	SOM-18-S-LEHMAN-NG	5.1-3.5	188	.018	short 5	taper	2.8
G24974	SOM-18-L-LEHMAN-NG	5.1-3.5	188	.018	long 15	taper	2.8

Some products or part numbers may not be available in all markets. Contact your local Cook representative or Customer Service for details regarding: stock/non-stock status (expect longer lead time if non-stock), pricing and/or availability.



Evolution® Biliary Controlled-Release Stent - Uncovered

Used in palliation of malignant neoplasms in the biliary tree.



Order Number	Reference Part Number	Introducer Size Fr	Body Diameter mm	Stent Flange Diameter mm	Stent Length cm	Wire Guide Diameter inch	MR Status	Minimum Accessory Channel mm
G23123	EVO-8-9-4-B	8.5	8	9	4	.035		3.2
G23124	EVO-8-9-6-B	8.5	8	9	6	.035		3.2
G23125	EVO-8-9-8-B	8.5	8	9	8	.035		3.2
G23126	EVO-8-9-10-B	8.5	8	9	10	.035		3.2
G23127	EVO-10-11-4-B	8.5	10	11	4	.035		3.2
G23128	EVO-10-11-6-B	8.5	10	11	6	.035		3.2
G23129	EVO-10-11-8-B	8.5	10	11	8	.035		3.2
G23130	EVO-10-11-10-B	8.5	10	11	10	.035		3.2

Some products or part numbers may not be available in all markets. Contact your local Cook representative or Customer Service for details regarding: stock/non-stock status (expect longer lead time if non-stock), pricing and/or availability.

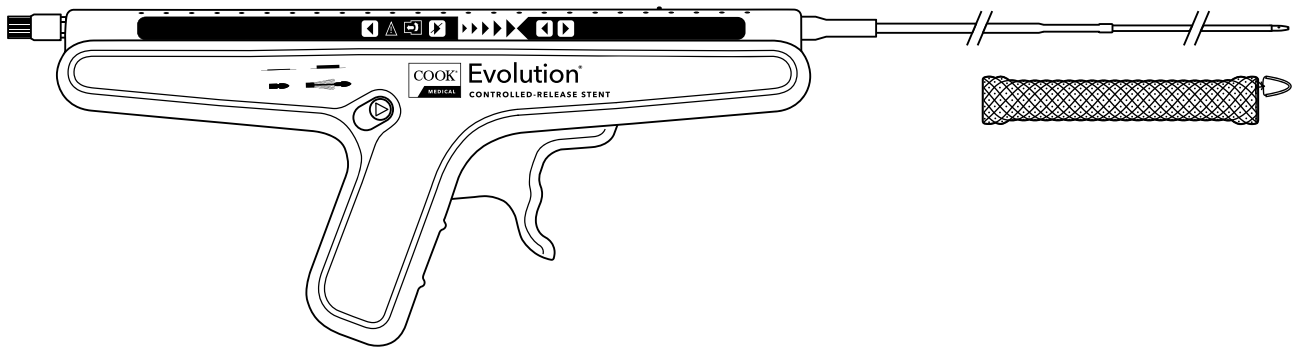
Warning: The safety and effectiveness of this device for use in the vascular system have not been established.



Evolution® Biliary Controlled-Release Stent - Fully Covered

Not for sale in the USA.

Used in palliation of malignant neoplasms in the biliary tree.



Order Number	Reference Part Number	Introducer Size Fr	Body Diameter mm	Stent Flange Diameter mm	Stent Length cm	Wire Guide Diameter inch	MR Status	Minimum Accessory Channel mm
G23131	EVO-FC-8-9-6-B*	8.5	8	9	6	.035		3.2
G23132	EVO-FC-8-9-8-B*	8.5	8	9	8	.035		3.2
G23133	EVO-FC-10-11-4-B*	8.5	10	11	4	.035		3.2
G23134	EVO-FC-10-11-6-B*	8.5	10	11	6	.035		3.2
G23135	EVO-FC-10-11-8-B*	8.5	10	11	8	.035		3.2

Some products or part numbers may not be available in all markets. Contact your local Cook representative or Customer Service for details regarding: stock/non-stock status (expect longer lead time if non-stock), pricing and/or availability.

Warning: The safety and effectiveness of this device for use in the vascular system have not been established.

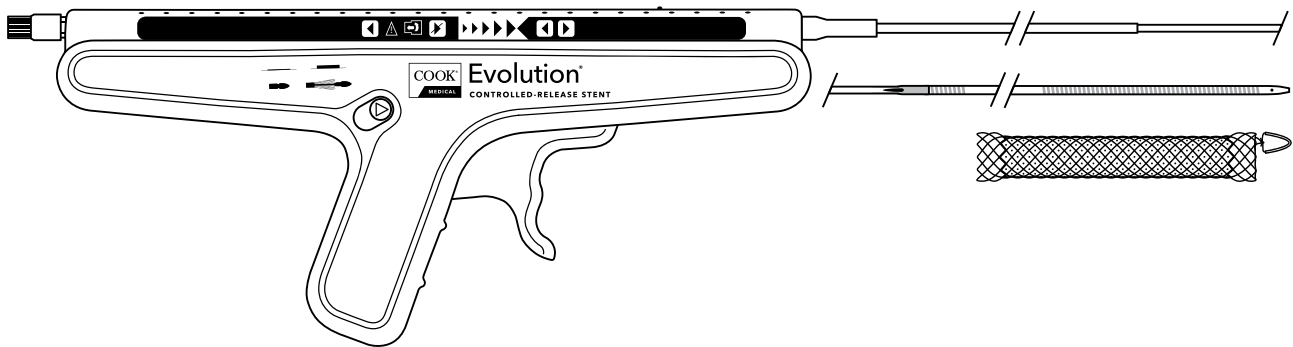
*Check for availability.



Evolution® Biliary Controlled-Release Stent - Partially Covered

Not for sale in the USA.

Used in palliation of malignant neoplasms in the biliary tree.

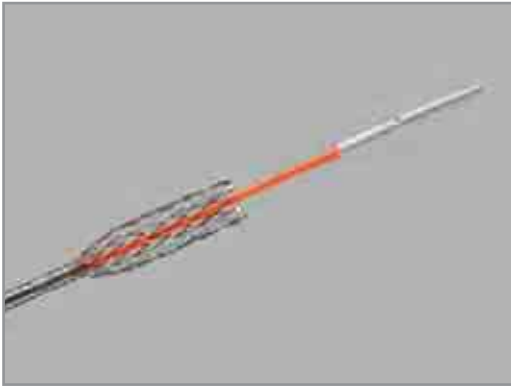


Order Number	Reference Part Number	Introducer Size Fr	Body Diameter mm	Stent Flange Diameter mm	Stent Length cm	Wire Guide Diameter inch	MR Status	Minimum Accessory Channel mm
G23136	EVO-PC-8-9-6-B*	8.5	8	9	6	.035		3.2
G23137	EVO-PC-8-9-8-B*	8.5	8	9	8	.035		3.2
G23138	EVO-PC-10-11-4-B*	8.5	10	11	4	.035		3.2
G23139	EVO-PC-10-11-6-B*	8.5	10	11	6	.035		3.2
G23140	EVO-PC-10-11-8-B*	8.5	10	11	8	.035		3.2

Some products or part numbers may not be available in all markets. Contact your local Cook representative or Customer Service for details regarding: stock/non-stock status (expect longer lead time if non-stock), pricing and/or availability.

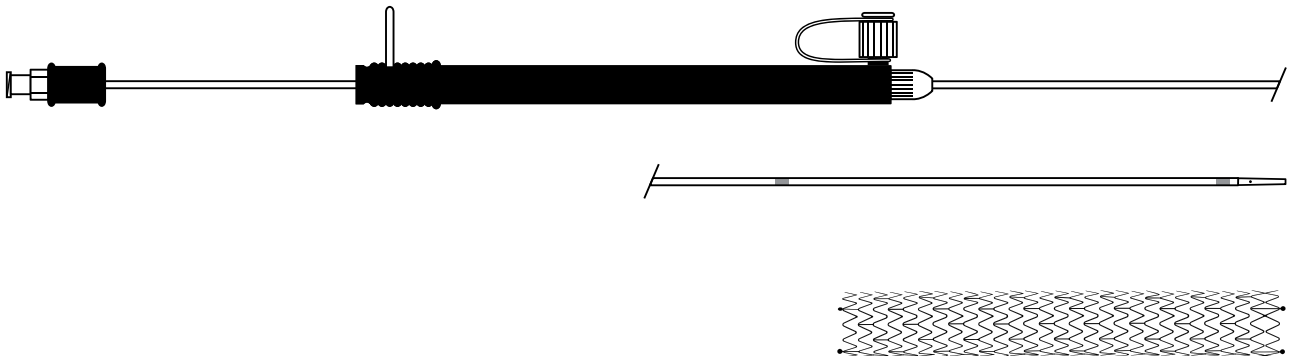
Warning: The safety and effectiveness of this device for use in the vascular system have not been established.

*Check for availability.



Zilver 635® Biliary Self-Expanding Stent

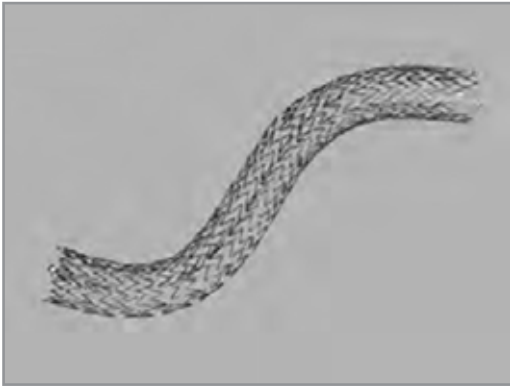
Used in the palliation of malignant neoplasms in the biliary tree.



Order Number	Reference Part Number	Stent Diameter mm	Stent Length cm	Flexor® Introducer Size Fr	Flexor® Introducer Length cm	Wire Guide Diameter inch	MR Status	Minimum Accessory Channel mm
G50616	ZILBS-635-6-4	6	4	6	200	.035		2.8
G50619	ZILBS-635-6-6	6	6	6	200	.035		2.8
G50622	ZILBS-635-6-8	6	8	6	200	.035		2.8
G50617	ZILBS-635-8-4	8	4	6	200	.035		2.8
G50620	ZILBS-635-8-6	8	6	6	200	.035		2.8
G50623	ZILBS-635-8-8	8	8	6	200	.035		2.8
G50618	ZILBS-635-10-4	10	4	6	200	.035		2.8
G50621	ZILBS-635-10-6	10	6	6	200	.035		2.8
G50624	ZILBS-635-10-8	10	8	6	200	.035		2.8

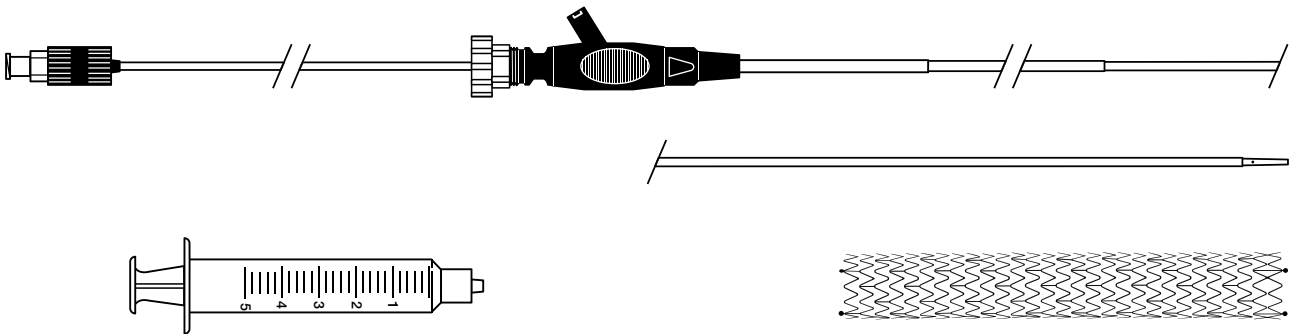
Some products or part numbers may not be available in all markets. Contact your local Cook representative or Customer Service for details regarding: stock/non-stock status (expect longer lead time if non-stock), pricing and/or availability.

Warning: The safety and effectiveness of this device for use in the vascular system have not been established.



Zilver® Biliary Self-Expanding Stent

Used in palliation of malignant neoplasms in the biliary tree.



Order Number	Reference Part Number	Stent Diameter mm	Stent Length cm	Introducer Size Fr	Introducer Length cm	Wire Guide Diameter inch	MR Status	Minimum Accessory Channel mm
G25723	ZILBS-6-4	6	4	7	208	.035		2.8
G25726	ZILBS-8-4	8	4	7	208	.035		2.8
G25729	ZILBS-10-4	10	4	7	208	.035		2.8
G25724	ZILBS-6-6	6	6	7	208	.035		2.8
G25727	ZILBS-8-6	8	6	7	208	.035		2.8
G25730	ZILBS-10-6	10	6	7	208	.035		2.8
G25725	ZILBS-6-8	6	8	7	208	.035		2.8
G25728	ZILBS-8-8	8	8	7	208	.035		2.8
G25731	ZILBS-10-8	10	8	7	208	.035		2.8

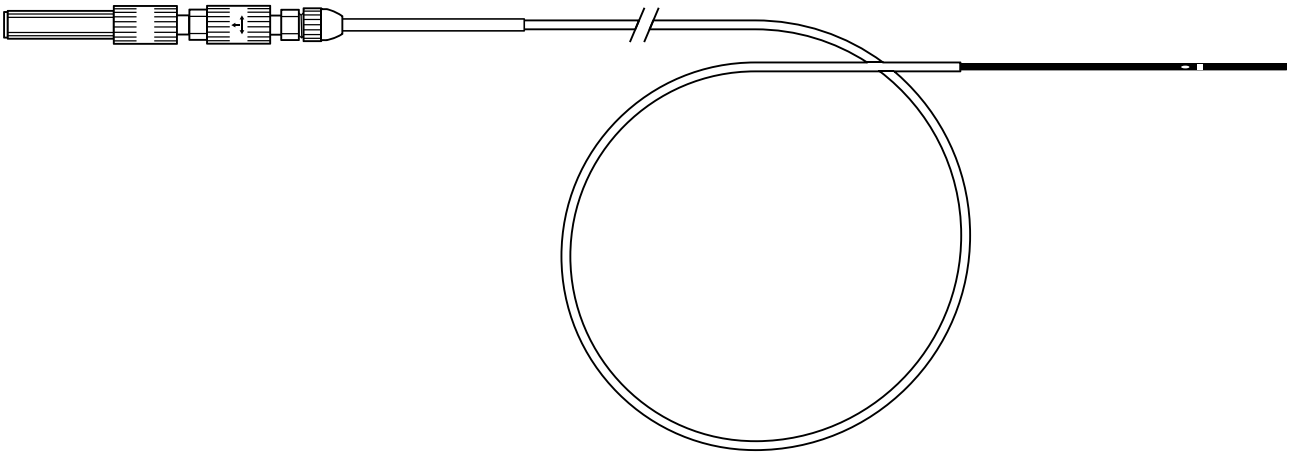
Some products or part numbers may not be available in all markets. Contact your local Cook representative or Customer Service for details regarding: stock/non-stock status (expect longer lead time if non-stock), pricing and/or availability.

Warning: The safety and effectiveness of this device for use in the vascular system have not been established.



Fusion® OASIS® One Action Stent Introduction System

Used for endoscopic biliary stent placement to drain obstructed bile ducts.



Order Number	Reference Part Number	Pushing Catheter Size Fr	Pushing Catheter Length cm	Guiding Catheter Size Fr	Guiding Catheter Length cm	Wire Guide Diameter inch	Minimum Accessory Channel mm
G31526	FS-OA-8.5	8.5	170	5	195	.035	4.2
G31527	FS-OA-10	9	170	5.5	195	.035	4.2

Some products or part numbers may not be available in all markets. Contact your local Cook representative or Customer Service for details regarding: stock/non-stock status (expect longer lead time if non-stock), pricing and/or availability.

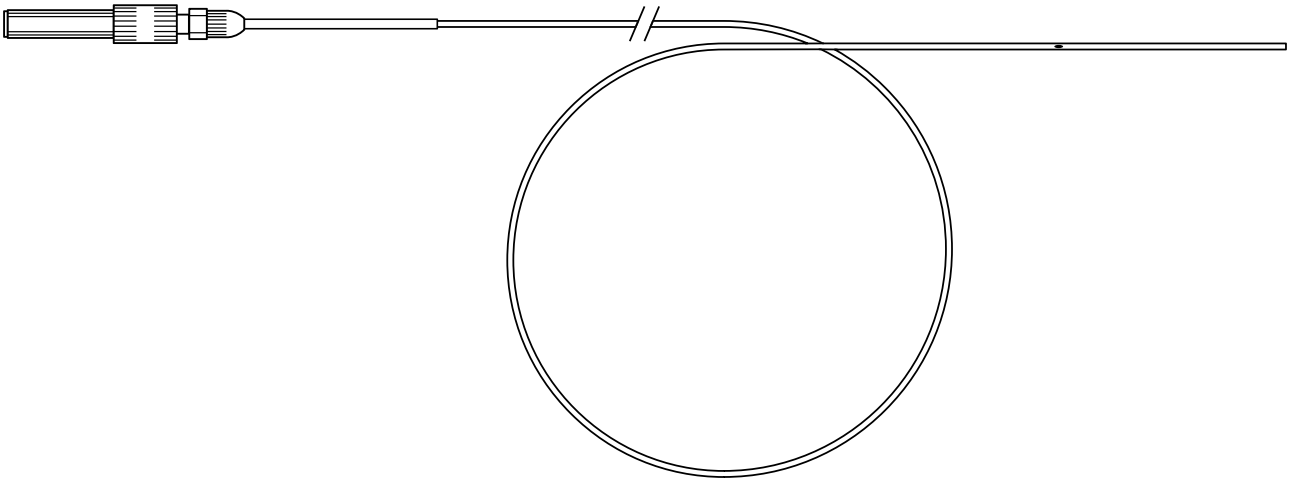
Not for use with pigtail stents.

Compatible with ST-2 Soehendra Tannenbaum® (page 115), Cotton-Huibregtse® (page 104) and Cotton-Leung® (page 108) stents.



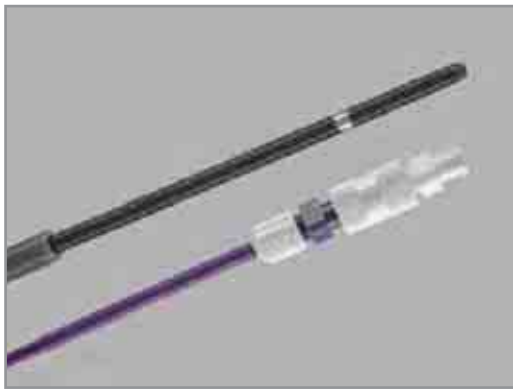
Fusion® Pushing Catheter

Used for endoscopic biliary stent placement to drain obstructed bile ducts.



Order Number	Reference Part Number	Pushing Catheter Size Fr	Pushing Catheter Length cm	Wire Guide Diameter inch	Minimum Accessory Channel mm
G31550	FS-PC-5	5	170	.035	3.2
G31551	FS-PC-7	6	170	.035	3.2

Some products or part numbers may not be available in all markets. Contact your local Cook representative or Customer Service for details regarding: stock/non-stock status (expect longer lead time if non-stock), pricing and/or availability.



OASIS® One Action Stent Introduction System

Used for endoscopic stent placement to drain obstructed biliary ducts.



Order Number	Reference Part Number	Pushing Catheter Size Fr	Guiding Catheter Size Fr	Guiding Catheter Length cm	Wire Guide Diameter inch	Minimum Accessory Channel mm
G22150	OA-8.5	8.5	5	205	.035	3.2
G25146	OA-8.5E	8.5	5	318	.035	3.2
G21739	OA-10	10	6	205	.035	3.7
G25147	OA-10E	10	6	320	.035	3.7
G21381	OA-11.5	11	6	205	.035	4.2

Some products or part numbers may not be available in all markets. Contact your local Cook representative or Customer Service for details regarding: stock/non-stock status (expect longer lead time if non-stock), pricing and/or availability.

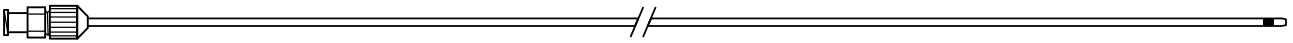
Compatible with ST-2 Soehendra Tannenbaum® (page 115), Cotton-Huibregtse® (page 104) and Cotton-Leung® (page 108) stents.

With four radiopaque bands 5 cm apart.



Huibregtse® Guiding Catheter

Used for endoscopic stent placement to drain obstructed biliary ducts.



Order Number	Reference Part Number	Catheter Size Fr	Catheter Length cm	Wire Guide Diameter inch
G21448	HGC-6	6	220	.035

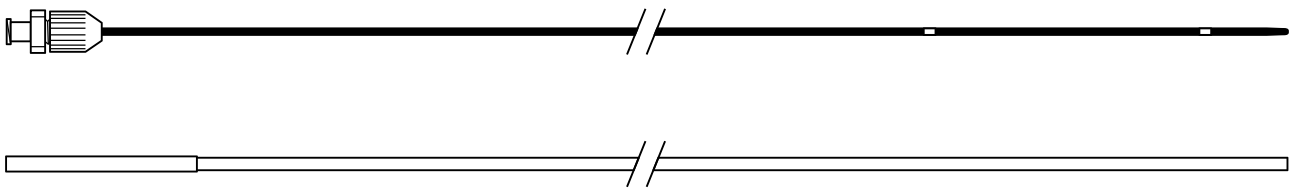
Some products or part numbers may not be available in all markets. Contact your local Cook representative or Customer Service for details regarding: stock/non-stock status (expect longer lead time if non-stock), pricing and/or availability.

Compatible with ST-2 Soehendra Tannenbaum® (page 115), Cotton-Huibregtse® (page 104) and Cotton-Leung® stents (page 108).



Stent Introducer Sets

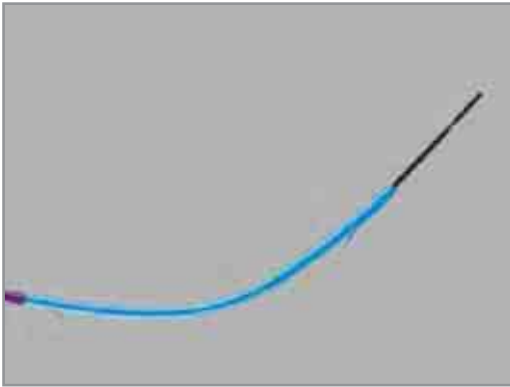
Used for endoscopic stent placement to drain obstructed biliary ducts.



Order Number	Reference Part Number	Pushing Catheter Size Fr	Pushing Catheter Length cm	Guiding Catheter Size Fr	Guiding Catheter Length cm	Wire Guide Diameter inch	Minimum Accessory Channel mm
Stent Introducer Sets							
G21532	SIS-8.5	8.5	170	5	320	.035	3.2
G22684	SIS-10	10	170	6	320	.035	3.7
G21749	SIS-11.5	11	170	6	320	.035	4.2
Pushing Catheter							
G25092	PC-3	3	170	n/a	n/a	.018	2
G21771	PC-5	5	170	n/a	n/a	.035	2
G22715	PC-5E	5	320	n/a	n/a	.035	2
G21774	PC-7	7	170	n/a	n/a	.035	2.8
G22716	PC-7E	7	320	n/a	n/a	.035	2.8
G21623	PC-8.5	8.5	170	n/a	n/a	.035	3.2
G21443	PC-10	10	170	n/a	n/a	.035	3.7
G22091	PC-11.5	11	170	n/a	n/a	.035	4.2
Guiding Catheter							
G22004	GC-5	n/a	n/a	5	320	.035	3.2
<i>Compatible with 8.5 Fr stent.</i>							
G22005	GC-6	n/a	n/a	6	320	.035	4.2
<i>Compatible with 10-11.5 Fr stent.</i>							

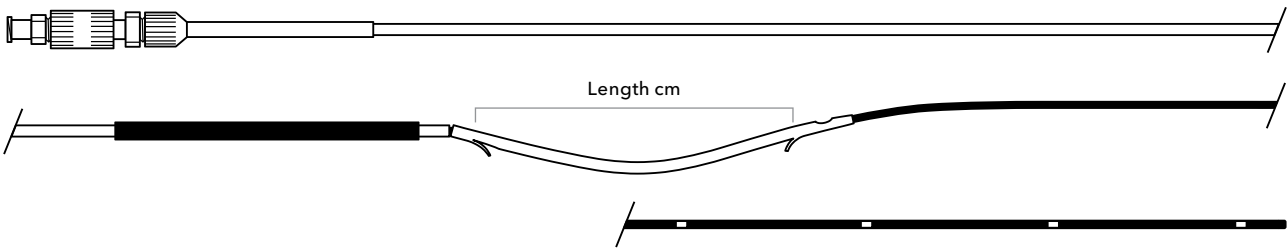
Some products or part numbers may not be available in all markets. Contact your local Cook representative or Customer Service for details regarding: stock/non-stock status (expect longer lead time if non-stock), pricing and/or availability.

Components sold separately.



**Oasis® One Action Stent Introduction System
Preloaded with Cotton-Leung® Biliary Stent**

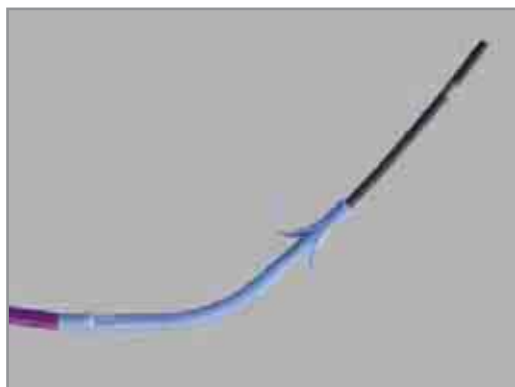
Used for endoscopic placement of a preloaded biliary stent to drain obstructed biliary ducts.



Order Number	Reference Part Number	Stent Size Fr	Stent Length cm	Pushing Catheter Length cm	Guiding Catheter Size Fr	Guiding Catheter Length cm	Wire Guide Diameter inch	Minimum Accessory Channel mm
G25656	OACL-7-5	7	5	170	5	205	.035	2.8
G25657	OACL-7-7	7	7	170	5	205	.035	2.8
G25658	OACL-7-9	7	9	170	5	205	.035	2.8
G25659	OACL-7-12	7	12	170	5	205	.035	2.8
G25660	OACL-7-15	7	15	170	5	205	.035	2.8
G25374	OACL-8.5-5	8.5	5	170	5	205	.035	3.2
G25375	OACL-8.5-7	8.5	7	170	5	205	.035	3.2
G25376	OACL-8.5-9	8.5	9	170	5	205	.035	3.2
G25377	OACL-8.5-12	8.5	12	170	5	205	.035	3.2
G25378	OACL-8.5-15	8.5	15	170	5	205	.035	3.2
G25379	OACL-10-5	10	5	170	6	205	.035	3.7
G25380	OACL-10-7	10	7	170	6	205	.035	3.7
G25381	OACL-10-9	10	9	170	6	205	.035	3.7
G25382	OACL-10-12	10	12	170	6	205	.035	3.7
G25383	OACL-10-15	10	15	170	6	205	.035	3.7
G25384	OACL-11.5-5	11.5	5	170	6	205	.035	4.2
G25385	OACL-11.5-7	11.5	7	170	6	205	.035	4.2
G25386	OACL-11.5-9	11.5	9	170	6	205	.035	4.2
G25387	OACL-11.5-12	11.5	12	170	6	205	.035	4.2
G25388	OACL-11.5-15	11.5	15	170	6	205	.035	4.2

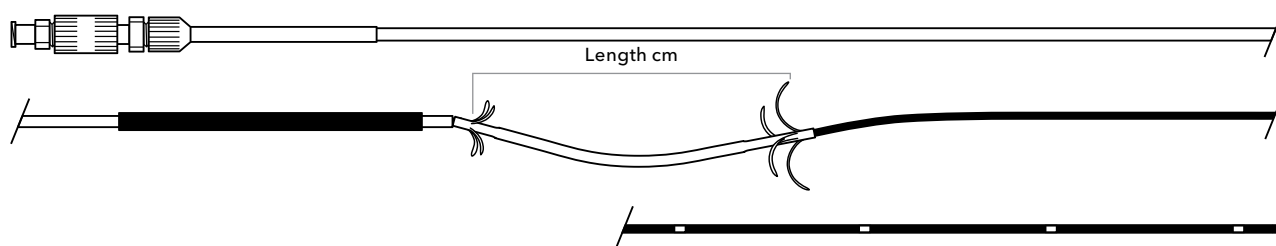
Some products or part numbers may not be available in all markets. Contact your local Cook representative or Customer Service for details regarding: stock/non-stock status (expect longer lead time if non-stock), pricing and/or availability.

Set Includes: Introducer with four radiopaque bands 5 cm apart, with preloaded Cotton-Leung stent, pushing catheter, guiding catheter and positioning sleeve.



**Oasis® One Action Stent Introduction System
Preloaded with ST-2 Soehendra Tannenbaum® Biliary Stent**

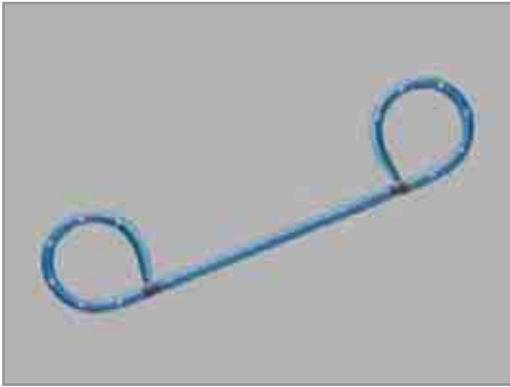
Used for endoscopic placement of a preloaded biliary stent to drain obstructed biliary ducts.



Order Number	Reference Part Number	Stent Size Fr	Stent Length cm	Pushing Catheter Length cm	Guiding Catheter Size Fr	Guiding Catheter Length cm	Wire Guide Diameter inch	Minimum Accessory Channel mm
G26846	OATS-8.5-5	8.5	5	170	5	205	.035	3.2
G26848	OATS-8.5-7	8.5	7	170	5	205	.035	3.2
G26849	OATS-8.5-9	8.5	9	170	5	205	.035	3.2
G26853	OATS-8.5-12	8.5	12	170	5	205	.035	3.2
G26854	OATS-8.5-15	8.5	15	170	5	205	.035	3.2
G26858	OATS-10-5	10	5	170	6	205	.035	3.7
G26859	OATS-10-7	10	7	170	6	205	.035	3.7
G26860	OATS-10-9	10	9	170	6	205	.035	3.7
G26863	OATS-10-12	10	12	170	6	205	.035	3.7
G26864	OATS-10-15	10	15	170	6	205	.035	3.7
G26836	OATS-11.5-5	11.5	5	170	6	205	.035	4.2
G26837	OATS-11.5-7	11.5	7	170	6	205	.035	4.2
G26838	OATS-11.5-9	11.5	9	170	6	205	.035	4.2
G26842	OATS-11.5-12	11.5	12	170	6	205	.035	4.2
G26843	OATS-11.5-15	11.5	15	170	6	205	.035	4.2

Some products or part numbers may not be available in all markets. Contact your local Cook representative or Customer Service for details regarding: stock/non-stock status (expect longer lead time if non-stock), pricing and/or availability.

Set Includes: Introducer with four radiopaque bands 5 cm apart, with preloaded ST-2 Soehendra Tannenbaum stent, pushing catheter, guiding catheter and positioning sleeve.



Compass BDS™ Biliary Plastic Stent

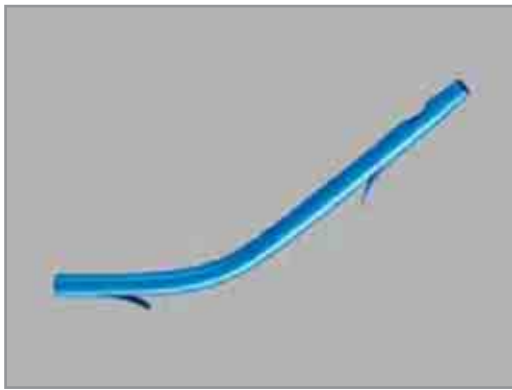
This device is used to drain obstructed biliary ducts.



Order Number	Reference Part Number	Stent Size Fr	Stent Length cm	Wire Guide Diameter inch	Minimum Accessory Channel mm
G55519	CBSO-7-5	7	5	.035	2.8
G55520	CBSO-7-10	7	10	.035	2.8
G55521	CBSO-7-15	7	15	.035	2.8

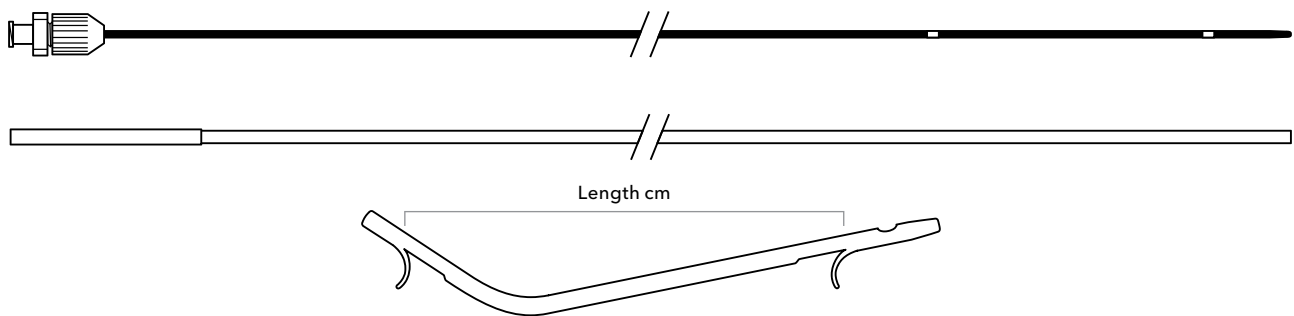
Some products or part numbers may not be available in all markets. Contact your local Cook representative or Customer Service for details regarding: stock/non-stock status (expect longer lead time if non-stock), pricing and/or availability.

Recommended for use with FS-PC-7 (page 97) or PC-7 (page 100).



Cotton-Huibregtse® Biliary Stent Sets

Used to drain obstructed biliary ducts.



Order Number	Reference Part Number	Stent Size Fr	Stent Length cm	Pushing Catheter Length cm	Guiding Catheter Length cm	Wire Guide Diameter inch	Minimum Accessory Channel mm
G22486	CHBS-7-3	7	3	170	n/a	.035	2.8
G21831	CHBS-7-5	7	5	170	n/a	.035	2.8
G22485	CHBS-7-6	7	6	170	n/a	.035	2.8
G21832	CHBS-7-7	7	7	170	n/a	.035	2.8
G21834	CHBS-7-9	7	9	170	n/a	.035	2.8
G22420	CHBS-7-10	7	10	170	n/a	.035	2.8
G21970	CHBS-7-12	7	12	170	n/a	.035	2.8
G21971	CHBS-7-15	7	15	170	n/a	.035	2.8
G21814	CHBS-8.5-5	8.5	5	170	320	.035	3.2
G21817	CHBS-8.5-7	8.5	7	170	320	.035	3.2
G21820	CHBS-8.5-9	8.5	9	170	320	.035	3.2
G21888	CHBS-8.5-12	8.5	12	170	320	.035	3.2
G21889	CHBS-8.5-15	8.5	15	170	320	.035	3.2
G21454	CHBS-10-3	10	3	170	320	.035	3.7
G21455	CHBS-10-5	10	5	170	320	.035	3.7
G21457	CHBS-10-7	10	7	170	320	.035	3.7

Some products or part numbers may not be available in all markets. Contact your local Cook representative or Customer Service for details regarding: stock/non-stock status (expect longer lead time if non-stock), pricing and/or availability.

Set Includes: Stent, pushing catheter, guiding catheter and positioning sleeve. Guiding catheter not included with 7 Fr stents. Components sold separately.

See page 99, 140, and 100 for introducer components, sold separately.

Continued on page 105

Cotton-Huibregtse® Biliary Stent Sets

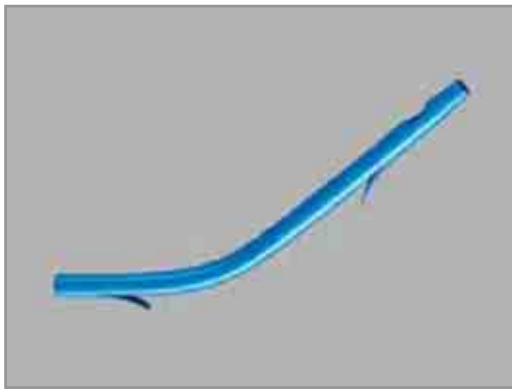
Continued from page 104

Order Number	Reference Part Number	Stent Size Fr	Stent Length cm	Pushing Catheter Length cm	Guiding Catheter Length cm	Wire Guide Diameter inch	Minimum Accessory Channel mm
G21459	CHBS-10-9	10	9	170	320	.035	3.7
G21996	CHBS-10-10	10	10	170	320	.035	3.7
G21997	CHBS-10-11	10	11	170	320	.035	3.7
G21999	CHBS-10-12	10	12	170	320	.035	3.7
G22000	CHBS-10-15	10	15	170	320	.035	3.7
G21541	CHBS-11.5-5	11.5	5	170	320	.035	4.2
G21542	CHBS-11.5-7	11.5	7	170	320	.035	4.2
G21545	CHBS-11.5-9	11.5	9	170	320	.035	4.2
G22118	CHBS-11.5-10	11.5	10	170	320	.035	4.2
G22121	CHBS-11.5-12	11.5	12	170	320	.035	4.2
G22123	CHBS-11.5-15	11.5	15	170	320	.035	4.2

Some products or part numbers may not be available in all markets. Contact your local Cook representative or Customer Service for details regarding: stock/non-stock status (expect longer lead time if non-stock), pricing and/or availability.

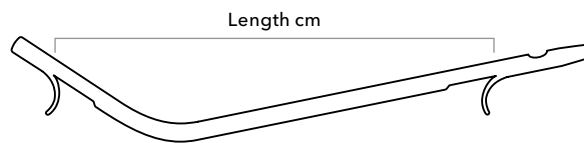
Set Includes: Stent, pushing catheter, guiding catheter and positioning sleeve. Guiding catheter not included with 7 Fr stents. Components sold separately.

See page 99, 140, and 100 for introducer components, sold separately.



Cotton-Huibregtse® Biliary Stent Only

Used to drain obstructed biliary ducts.



Order Number	Reference Part Number	Stent Size Fr	Stent Length cm	Wire Guide Diameter inch	Minimum Accessory Channel mm
G21719	CHBSO-7-4	7	4	.035	2.8
G21720	CHBSO-7-5	7	5	.035	2.8
G21721	CHBSO-7-7	7	7	.035	2.8
G21722	CHBSO-7-9	7	9	.035	2.8
G22211	CHBSO-7-10	7	10	.035	2.8
G22213	CHBSO-7-12	7	12	.035	2.8
G22217	CHBSO-7-15	7	15	.035	2.8
G27172	CHBSO-7-18	7	18	.035	2.8
G21699	CHBSO-8.5-5	8.5	5	.035	3.2
G21700	CHBSO-8.5-7	8.5	7	.035	3.2
G21702	CHBSO-8.5-9	8.5	9	.035	3.2
G22195	CHBSO-8.5-10	8.5	10	.035	3.2
G22196	CHBSO-8.5-12	8.5	12	.035	3.2
G22198	CHBSO-8.5-15	8.5	15	.035	3.2
G27173	CHBSO-8.5-18	8.5	18	.035	3.2
G21648	CHBSO-10-3	10	3	.035	3.7
G21650	CHBSO-10-4	10	4	.035	3.7
G21652	CHBSO-10-5	10	5	.035	3.7
G21654	CHBSO-10-6	10	6	.035	3.7
G21656	CHBSO-10-7	10	7	.035	3.7
G21657	CHBSO-10-8	10	8	.035	3.7

Some products or part numbers may not be available in all markets. Contact your local Cook representative or Customer Service for details regarding: stock/non-stock status (expect longer lead time if non-stock), pricing and/or availability.

Includes a positioning sleeve. Introducer components sold separately.

Continued on page 107

Cotton-Huibregtse® Biliary Stent Only

Continued from page 106

Order Number	Reference Part Number	Stent Size Fr	Stent Length cm	Wire Guide Diameter inch	Minimum Accessory Channel mm
G21658	CHBSO-10-9	10	9	.035	3.7
G21879	CHBSO-10-10	10	10	.035	3.7
G21880	CHBSO-10-11	10	11	.035	3.7
G21881	CHBSO-10-12	10	12	.035	3.7
G21883	CHBSO-10-15	10	15	.035	3.7
G22404	CHBSO-10-18	10	18	.035	3.7
G21797	CHBSO-11.5-5	11.5	5	.035	4.2
G21799	CHBSO-11.5-7	11.5	7	.035	4.2
G21800	CHBSO-11.5-8	11.5	8	.035	4.2
G21801	CHBSO-11.5-9	11.5	9	.035	4.2
G22197	CHBSO-11.5-10	11.5	10	.035	4.2
G22199	CHBSO-11.5-12	11.5	12	.035	4.2
G22200	CHBSO-11.5-15	11.5	15	.035	4.2
G27171	CHBSO-11.5-18	11.5	18	.035	4.2

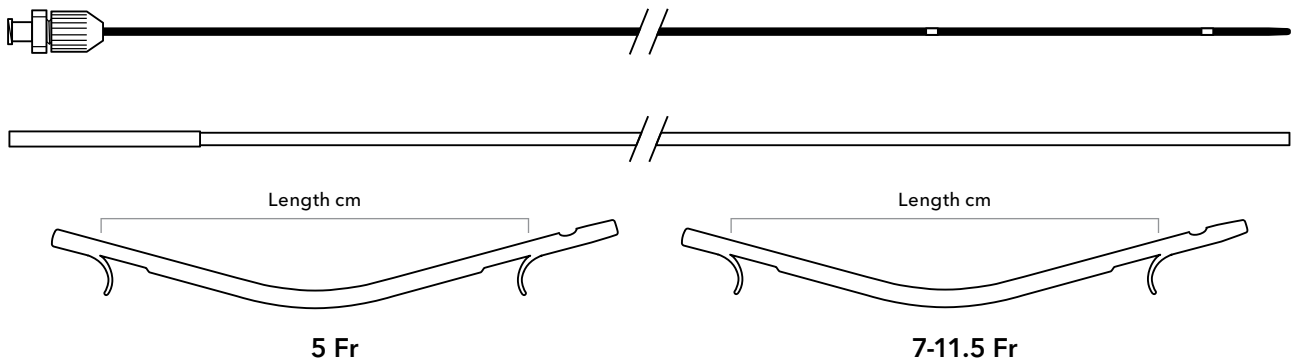
Some products or part numbers may not be available in all markets. Contact your local Cook representative or Customer Service for details regarding: stock/non-stock status (expect longer lead time if non-stock), pricing and/or availability.

Includes a positioning sleeve. Introducer components sold separately.



Cotton-Leung® Biliary Stent Sets

Used to drain obstructed biliary ducts.



Order Number	Reference Part Number	Stent Size Fr	Stent Length cm	Pushing Catheter Length cm	Guiding Catheter Length cm	Wire Guide Diameter inch	Minimum Accessory Channel mm
G22402	CLBS-5-5	5	5	170	n/a	.035	2
G22278	CLBS-5-7	5	7	170	n/a	.035	2
G22403	CLBS-5-9	5	9	170	n/a	.035	2
G22414	CLBS-5-12	5	12	170	n/a	.035	2
G21947	CLBS-7-3	7	3	170	n/a	.035	2.8
G21949	CLBS-7-4	7	4	170	n/a	.035	2.8
G21950	CLBS-7-5	7	5	170	n/a	.035	2.8
G21951	CLBS-7-6	7	6	170	n/a	.035	2.8
G21952	CLBS-7-7	7	7	170	n/a	.035	2.8
G27135	CLBS-7-8	7	8	170	n/a	.035	2.8
G21954	CLBS-7-9	7	9	170	n/a	.035	2.8
G21563	CLBS-7-10	7	10	170	n/a	.035	2.8
G27130	CLBS-7-11	7	11	170	n/a	.035	2.8
G21566	CLBS-7-12	7	12	170	n/a	.035	2.8
G27131	CLBS-7-13	7	13	170	n/a	.035	2.8

Some products or part numbers may not be available in all markets. Contact your local Cook representative or Customer Service for details regarding: stock/non-stock status (expect longer lead time if non-stock), pricing and/or availability.

Set Includes: Stent, pushing catheter, guiding catheter and positioning sleeve. Guiding catheter not included with 5 Fr and 7 Fr stents.

Components sold separately.

Continued on page 109

Cotton-Leung® Biliary Stent Sets

Continued from page 108

Order Number	Reference Part Number	Stent Size Fr	Stent Length cm	Pushing Catheter Length cm	Guiding Catheter Length cm	Wire Guide Diameter inch	Minimum Accessory Channel mm
G27132	CLBS-7-14	7	14	170	n/a	.035	2.8
G21569	CLBS-7-15	7	15	170	n/a	.035	2.8
G27133	CLBS-7-16	7	16	170	n/a	.035	2.8
G27134	CLBS-7-17	7	17	170	n/a	.035	2.8
G21574	CLBS-7-18	7	18	170	n/a	.035	2.8
G21487	CLBS-8.5-3	8.5	3	170	320	.035	3.2
G21489	CLBS-8.5-5	8.5	5	170	320	.035	3.2
G21490	CLBS-8.5-6	8.5	6	170	320	.035	3.2
G21492	CLBS-8.5-7	8.5	7	170	320	.035	3.2
G21495	CLBS-8.5-8	8.5	8	170	320	.035	3.2
G21496	CLBS-8.5-9	8.5	9	170	320	.035	3.2
G21598	CLBS-8.5-10	8.5	10	170	320	.035	3.2
G27136	CLBS-8.5-11	8.5	11	170	320	.035	3.2
G21599	CLBS-8.5-12	8.5	12	170	320	.035	3.2
G27137	CLBS-8.5-13	8.5	13	170	320	.035	3.2
G27138	CLBS-8.5-14	8.5	14	170	320	.035	3.2
G21600	CLBS-8.5-15	8.5	15	170	320	.035	3.2
G24648	CLBS-8.5-16	8.5	16	170	320	.035	3.2
G24649	CLBS-8.5-17	8.5	17	170	320	.035	3.2
G27139	CLBS-8.5-18	8.5	18	170	320	.035	3.2
G21841	CLBS-10-3	10	3	170	320	.035	3.7
G21843	CLBS-10-4	10	4	170	320	.035	3.7
G21844	CLBS-10-5	10	5	170	320	.035	3.7
G27124	CLBS-10-6	10	6	170	320	.035	3.7
G21847	CLBS-10-7	10	7	170	320	.035	3.7
G21848	CLBS-10-8	10	8	170	320	.035	3.7
G21850	CLBS-10-9	10	9	170	320	.035	3.7
G21668	CLBS-10-10	10	10	170	320	.035	3.7
G27121	CLBS-10-11	10	11	170	320	.035	3.7
G21670	CLBS-10-12	10	12	170	320	.035	3.7
G21672	CLBS-10-13	10	13	170	320	.035	3.7
G27122	CLBS-10-14	10	14	170	320	.035	3.7
G21673	CLBS-10-15	10	15	170	320	.035	3.7
G27123	CLBS-10-16	10	16	170	320	.035	3.7

Some products or part numbers may not be available in all markets. Contact your local Cook representative or Customer Service for details regarding: stock/non-stock status (expect longer lead time if non-stock), pricing and/or availability.

Set Includes: Stent, pushing catheter, guiding catheter and positioning sleeve. Guiding catheter not included with 5 Fr and 7 Fr stents.

Components sold separately.

Continued on page 110

Cotton-Leung® Biliary Stent Sets

Continued from page 109

Order Number	Reference Part Number	Stent Size Fr	Stent Length cm	Pushing Catheter Length cm	Guiding Catheter Length cm	Wire Guide Diameter inch	Minimum Accessory Channel mm
G21674	CLBS-10-17	10	17	170	320	.035	3.7
G21675	CLBS-10-18	10	18	170	320	.035	3.7
G22051	CLBS-11.5-3	11.5	3	170	320	.035	4.2
G22052	CLBS-11.5-5	11.5	5	170	320	.035	4.2
G22054	CLBS-11.5-6	11.5	6	170	320	.035	4.2
G22056	CLBS-11.5-7	11.5	7	170	320	.035	4.2
G22057	CLBS-11.5-8	11.5	8	170	320	.035	4.2
G22059	CLBS-11.5-9	11.5	9	170	320	.035	4.2
G27125	CLBS-11.5-10	11.5	10	170	320	.035	4.2
G22053	CLBS-11.5-11	11.5	11	170	320	.035	4.2
G22055	CLBS-11.5-12	11.5	12	170	320	.035	4.2
G27126	CLBS-11.5-13	11.5	13	170	320	.035	4.2
G27127	CLBS-11.5-14	11.5	14	170	320	.035	4.2
G22060	CLBS-11.5-15	11.5	15	170	320	.035	4.2
G27128	CLBS-11.5-16	11.5	16	170	320	.035	4.2
G27129	CLBS-11.5-17	11.5	17	170	320	.035	4.2
G22064	CLBS-11.5-18	11.5	18	170	320	.035	4.2

Some products or part numbers may not be available in all markets. Contact your local Cook representative or Customer Service for details regarding: stock/non-stock status (expect longer lead time if non-stock), pricing and/or availability.

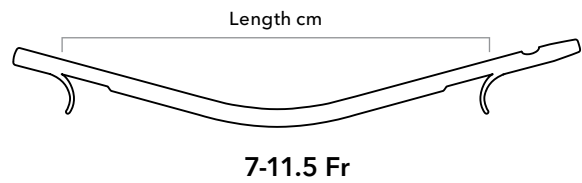
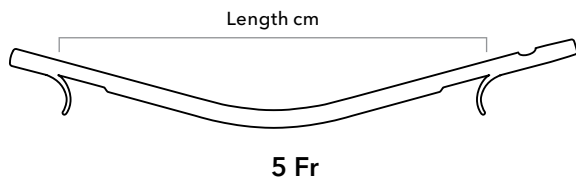
Set Includes: Stent, pushing catheter, guiding catheter and positioning sleeve. Guiding catheter not included with 5 Fr and 7 Fr stents.

Components sold separately.



Cotton-Leung® Biliary Stent only

Used to drain obstructed biliary ducts.



Order Number	Reference Part Number	Stent Size Fr	Stent Length cm	Wire Guide Diameter inch	Minimum Accessory Channel mm
G22383	CLSO-5-3	5	3	.035	2
G21565	CLSO-5-5	5	5	.035	2
G22384	CLSO-5-7	5	7	.035	2
G22385	CLSO-5-9	5	9	.035	2
G22398	CLSO-5-12	5	12	.035	2
G22399	CLSO-5-15	5	15	.035	2
G22392	CLSO-7-2	7	2	.035	2.8
G21679	CLSO-7-3	7	3	.035	2.8
G21680	CLSO-7-4	7	4	.035	2.8
G21681	CLSO-7-5	7	5	.035	2.8
G27143	CLSO-7-6	7	6	.035	2.8
G21683	CLSO-7-7	7	7	.035	2.8
G21684	CLSO-7-8	7	8	.035	2.8
G21685	CLSO-7-9	7	9	.035	2.8
G21979	CLSO-7-10	7	10	.035	2.8
G21981	CLSO-7-11	7	11	.035	2.8
G21983	CLSO-7-12	7	12	.035	2.8
G21984	CLSO-7-13	7	13	.035	2.8
G21987	CLSO-7-14	7	14	.035	2.8
G21988	CLSO-7-15	7	15	.035	2.8

Some products or part numbers may not be available in all markets. Contact your local Cook representative or Customer Service for details regarding: stock/non-stock status (expect longer lead time if non-stock), pricing and/or availability.

Includes a positioning sleeve.

See page 99, 140, and 100 for introducer components, sold separately.

Continued on page 112

Cotton-Leung® Biliary Stent only

Continued from page 111

Order Number	Reference Part Number	Stent Size Fr	Stent Length cm	Wire Guide Diameter inch	Minimum Accessory Channel mm
G27142	CLSO-7-16	7	16	.035	2.8
G22480	CLSO-7-17	7	17	.035	2.8
G21990	CLSO-7-18	7	18	.035	2.8
G21991	CLSO-7-19	7	19	.035	2.8
G21993	CLSO-7-20	7	20	.035	2.8
G24784	CLSO-7-21	7	21	.035	2.8
G21617	CLSO-8.5-3	8.5	3	.035	3.2
G21619	CLSO-8.5-5	8.5	5	.035	3.2
G27148	CLSO-8.5-6	8.5	6	.035	3.2
G21620	CLSO-8.5-7	8.5	7	.035	3.2
G22343	CLSO-8.5-8	8.5	8	.035	3.2
G21621	CLSO-8.5-9	8.5	9	.035	3.2
G22009	CLSO-8.5-10	8.5	10	.035	3.2
G27145	CLSO-8.5-11	8.5	11	.035	3.2
G22011	CLSO-8.5-12	8.5	12	.035	3.2
G27146	CLSO-8.5-13	8.5	13	.035	3.2
G27147	CLSO-8.5-14	8.5	14	.035	3.2
G22012	CLSO-8.5-15	8.5	15	.035	3.2
G22709	CLSO-8.5-16	8.5	16	.035	3.2
G22710	CLSO-8.5-17	8.5	17	.035	3.2
G22711	CLSO-8.5-18	8.5	18	.035	3.2
G22712	CLSO-8.5-20	8.5	20	.035	3.2
G21463	CLSO-10-2	10	2	.035	3.7
G21464	CLSO-10-3	10	3	.035	3.7
G21465	CLSO-10-4	10	4	.035	3.7
G22622	CLSO-10-5	10	5	.035	3.7
G21467	CLSO-10-6	10	6	.035	3.7
G21469	CLSO-10-7	10	7	.035	3.7
G21472	CLSO-10-8	10	8	.035	3.7
G21474	CLSO-10-9	10	9	.035	3.7
G21807	CLSO-10-10	10	10	.035	3.7
G21808	CLSO-10-11	10	11	.035	3.7
G21810	CLSO-10-12	10	12	.035	3.7
G21811	CLSO-10-13	10	13	.035	3.7

Some products or part numbers may not be available in all markets. Contact your local Cook representative or Customer Service for details regarding: stock/non-stock status (expect longer lead time if non-stock), pricing and/or availability.

Includes a positioning sleeve.

See page 99, 140, and 100 for introducer components, sold separately.

Continued on page 113

Cotton-Leung® Biliary Stent only

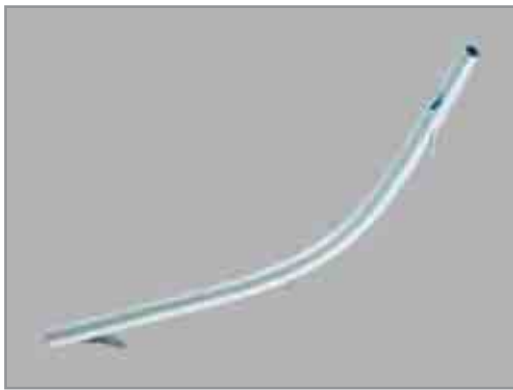
Continued from page 112

Order Number	Reference Part Number	Stent Size Fr	Stent Length cm	Wire Guide Diameter inch	Minimum Accessory Channel mm
G21812	CLSO-10-14	10	14	.035	3.7
G21813	CLSO-10-15	10	15	.035	3.7
G21815	CLSO-10-16	10	16	.035	3.7
G21816	CLSO-10-17	10	17	.035	3.7
G21818	CLSO-10-18	10	18	.035	3.7
G22479	CLSO-10-19	10	19	.035	3.7
G21821	CLSO-10-20	10	20	.035	3.7
G24785	CLSO-10-21	10	21	.035	3.7
G21639	CLSO-11.5-3	11.5	3	.035	4.2
G21643	CLSO-11.5-5	11.5	5	.035	4.2
G27141	CLSO-11.5-6	11.5	6	.035	4.2
G21646	CLSO-11.5-7	11.5	7	.035	4.2
G27104	CLSO-11.5-8	11.5	8	.035	4.2
G21647	CLSO-11.5-9	11.5	9	.035	4.2
G21761	CLSO-11.5-10	11.5	10	.035	4.2
G27103	CLSO-11.5-11	11.5	11	.035	4.2
G27140	CLSO-11.5-12	11.5	12	.035	4.2
G31508	CLSO-11.5-13	11.5	13	.035	4.2
G21763	CLSO-11.5-14	11.5	14	.035	4.2
G21764	CLSO-11.5-15	11.5	15	.035	4.2
G21766	CLSO-11.5-16	11.5	16	.035	4.2
G22400	CLSO-11.5-17	11.5	17	.035	4.2
G21767	CLSO-11.5-18	11.5	18	.035	4.2
G22713	CLSO-11.5-20	11.5	20	.035	4.2

Some products or part numbers may not be available in all markets. Contact your local Cook representative or Customer Service for details regarding: stock/non-stock status (expect longer lead time if non-stock), pricing and/or availability.

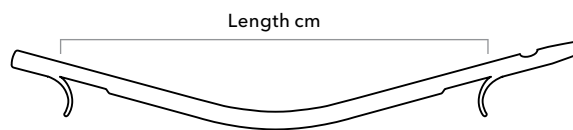
Includes a positioning sleeve.

See page 99, 140, and 100 for introducer components, sold separately.



Cotton-Leung® Sof-Flex® Biliary Stent

Used to drain obstructed biliary ducts.



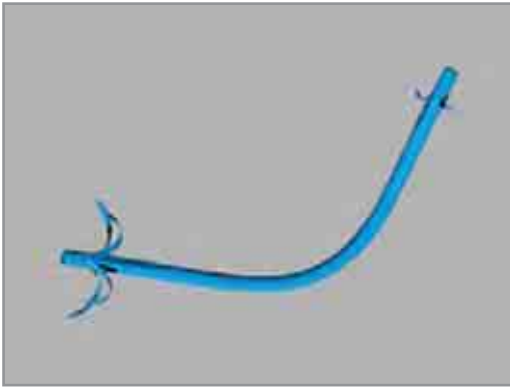
Order Number	Reference Part Number	Stent Size Fr	Stent Length cm	Wire Guide Diameter inch	Minimum Accessory Channel mm
G49658	CLSO-SF-7-5	7	5	.035	2.8
G49659	CLSO-SF-7-7	7	7	.035	2.8
G49660	CLSO-SF-7-9	7	9	.035	2.8
G49661	CLSO-SF-7-12	7	12	.035	2.8
G49662	CLSO-SF-7-15	7	15	.035	2.8
G49653	CLSO-SF-10-5*	10	5	.035	4.2
G49654	CLSO-SF-10-7*	10	7	.035	4.2
G49655	CLSO-SF-10-9*	10	9	.035	4.2
G49656	CLSO-SF-10-12*	10	12	.035	4.2
G49657	CLSO-SF-10-15*	10	15	.035	4.2

Some products or part numbers may not be available in all markets. Contact your local Cook representative or Customer Service for details regarding: stock/non-stock status (expect longer lead time if non-stock), pricing and/or availability.

*Use with FS-OA (page 96) or PC-10 and GC-5 (page 100).

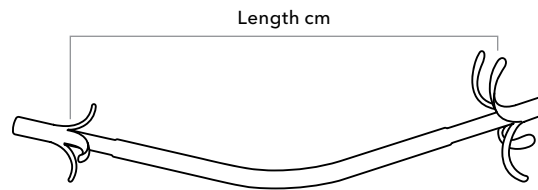
Introducer components sold separately.

Not compatible with Fusion Wire Guide Locking Device.



ST-2 Soehendra Tannenbaum® Biliary Stent

Used to drain obstructed biliary ducts.



Order Number	Reference Part Number	Stent Size Fr	Stent Length cm	Wire Guide Diameter inch	Minimum Accessory Channel mm
G22292	TTSO-8.5-5	8.5	5	.035	3.2
G22293	TTSO-8.5-6	8.5	6	.035	3.2
G22294	TTSO-8.5-7	8.5	7	.035	3.2
G22295	TTSO-8.5-8	8.5	8	.035	3.2
G22296	TTSO-8.5-9	8.5	9	.035	3.2
G22288	TTSO-8.5-10	8.5	10	.035	3.2
G22289	TTSO-8.5-11	8.5	11	.035	3.2
G22290	TTSO-8.5-12	8.5	12	.035	3.2
G27198	TTSO-8.5-13	8.5	13	.035	3.2
G27170	TTSO-8.5-14	8.5	14	.035	3.2
G22291	TTSO-8.5-15	8.5	15	.035	3.2
G21436	TTSO-10-5	10	5	.035	3.7
G21437	TTSO-10-6	10	6	.035	3.7
G21438	TTSO-10-7	10	7	.035	3.7
G21440	TTSO-10-8	10	8	.035	3.7
G21441	TTSO-10-9	10	9	.035	3.7
G22125	TTSO-10-10	10	10	.035	3.7
G22127	TTSO-10-11	10	11	.035	3.7

Some products or part numbers may not be available in all markets. Contact your local Cook representative or Customer Service for details regarding: stock/non-stock status (expect longer lead time if non-stock), pricing and/or availability.

Includes a positioning sleeve.

Recommend for use with the OASIS® One Action Stent Introduction System (page 98), sold separately.

Continued on page 116

ST-2 Soehendra Tannenbaum® Biliary Stent

Continued from page 115

Order Number	Reference Part Number	Stent Size Fr	Stent Length cm	Wire Guide Diameter inch	Minimum Accessory Channel mm
G22129	TTSO-10-12	10	12	.035	3.7
G27167	TTSO-10-13	10	13	.035	3.7
G27168	TTSO-10-14	10	14	.035	3.7
G22130	TTSO-10-15	10	15	.035	3.7
G22283	TTSO-11.5-5	11.5	5	.035	4.2
G22284	TTSO-11.5-6	11.5	6	.035	4.2
G22285	TTSO-11.5-7	11.5	7	.035	4.2
G22286	TTSO-11.5-8	11.5	8	.035	4.2
G22287	TTSO-11.5-9	11.5	9	.035	4.2
G22280	TTSO-11.5-10	11.5	10	.035	4.2
G27169	TTSO-11.5-11	11.5	11	.035	4.2
G22281	TTSO-11.5-12	11.5	12	.035	4.2
G27196	TTSO-11.5-13	11.5	13	.035	4.2
G27197	TTSO-11.5-14	11.5	14	.035	4.2
G22282	TTSO-11.5-15	11.5	15	.035	4.2

Some products or part numbers may not be available in all markets. Contact your local Cook representative or Customer Service for details regarding: stock/non-stock status (expect longer lead time if non-stock), pricing and/or availability.

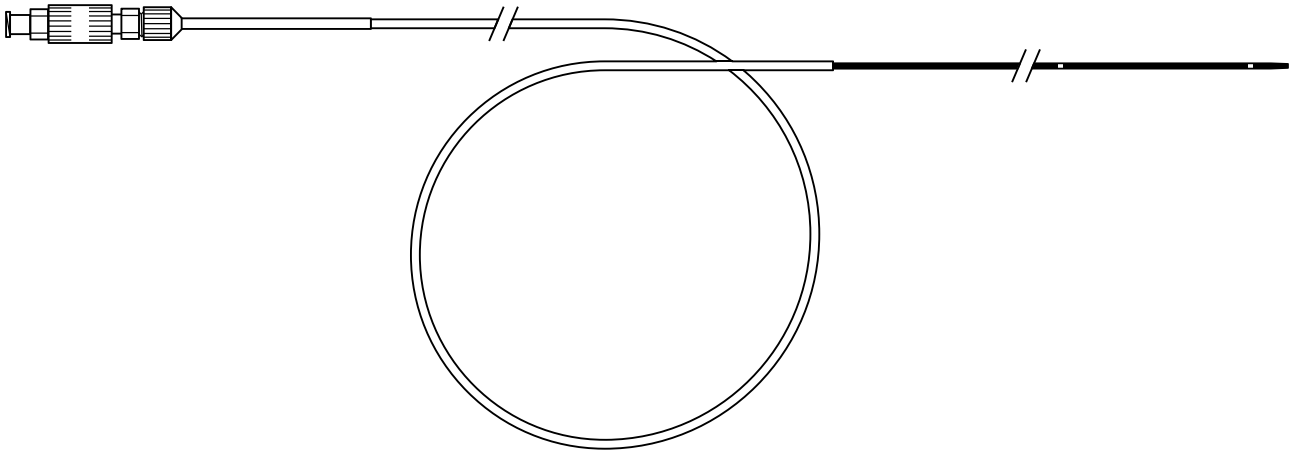
Includes a positioning sleeve.

Recommend for use with the OASIS® One Action Stent Introduction System (page 98), sold separately.



Solus® Double Pigtail Stent with Introducer

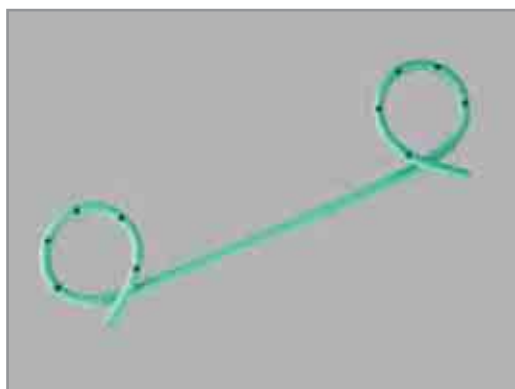
Used to drain obstructed biliary ducts.



Order Number	Reference Part Number	Stent Size Fr	Stent Length cm	Pushing Catheter Length cm	Guiding Catheter Length cm	Wire Guide Diameter inch	Minimum Accessory Channel mm
G26829	ZSS-10-1-RB	10	1	165	210	.035	3.7
G25670	ZSS-10-3-RB	10	3	165	210	.035	3.7
G25671	ZSS-10-4-RB	10	4	165	210	.035	3.7
G25672	ZSS-10-5-RB	10	5	165	210	.035	3.7
G25673	ZSS-10-7-RB	10	7	165	210	.035	3.7
G25674	ZSS-10-9-RB	10	9	165	210	.035	3.7
G25685	ZSS-10-10-RB	10	10	165	210	.035	3.7
G25675	ZSS-10-12-RB	10	12	165	210	.035	3.7
G25676	ZSS-10-15-RB	10	15	165	210	.035	3.7

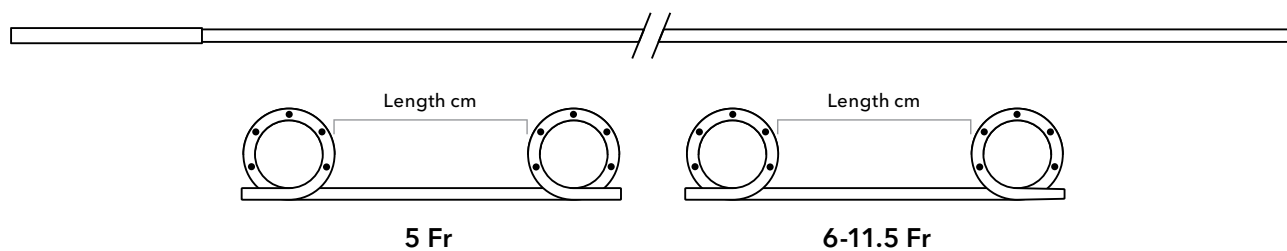
Some products or part numbers may not be available in all markets. Contact your local Cook representative or Customer Service for details regarding: stock/non-stock status (expect longer lead time if non-stock), pricing and/or availability.

Set Includes: Radiopaque stent, 10 Fr pushing catheter, 5 Fr guiding catheter, pigtail straightener.



Zimmon® Biliary Stent Sets

Used to drain obstructed biliary ducts.



Order Number	Reference Part Number	Stent Size Fr	Stent Length cm	Pushing Catheter Length cm	Wire Guide Diameter inch	Minimum Accessory Channel mm
G22436	ZEBD-5-3	5	3	170	.035	2
G22137	ZEBD-5-4	5	4	170	.035	2
G22138	ZEBD-5-5	5	5	170	.035	2
G22140	ZEBD-5-7	5	7	170	.035	2
G22141	ZEBD-5-9	5	9	170	.035	2
G22122	ZEBD-5-10	5	10	170	.035	2
G22437	ZEBD-5-12	5	12	170	.035	2
G22128	ZEBD-5-15	5	15	170	.035	2
G22191	ZEBD-6-4	6	4	170	.035	2.8
G22194	ZEBD-6-7	6	7	170	.035	2.8
G21795	ZEBD-6-10	6	10	170	.035	2.8
G21798	ZEBD-6-12	6	12	170	.035	2.8
G22438	ZEBD-7-2	7	2	170	.035	2.8
G22439	ZEBD-7-3	7	3	170	.035	2.8
G21393	ZEBD-7-4	7	4	170	.035	2.8
G21394	ZEBD-7-5	7	5	170	.035	2.8
G21395	ZEBD-7-6	7	6	170	.035	2.8
G21396	ZEBD-7-7	7	7	170	.035	2.8

Some products or part numbers may not be available in all markets. Contact your local Cook representative or Customer Service for details regarding: stock/non-stock status (expect longer lead time if non-stock), pricing and/or availability.

Set includes: Stent, pushing catheter and pigtail straightener (with exception of 10 Fr device). Components available separately.

Continued on page 119

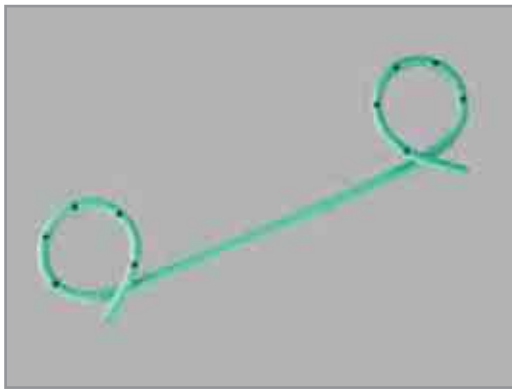
Zimmon® Biliary Stent Sets

Continued from page 118

Order Number	Reference Part Number	Stent Size Fr	Stent Length cm	Pushing Catheter Length cm	Wire Guide Diameter inch	Minimum Accessory Channel mm
G21397	ZEBD-7-8	7	8	170	.035	2.8
G21398	ZEBD-7-9	7	9	170	.035	2.8
G25794	ZEBD-7-10	7	10	170	.035	2.8
G21526	ZEBD-7-12	7	12	170	.035	2.8
G21529	ZEBD-7-15	7	15	170	.035	2.8
G21530	ZEBD-7-18	7	18	170	.035	2.8
G21460	ZEBD-8-5	8	5	170	.035	3.2
G21462	ZEBD-8-7	8	7	170	.035	3.2
G22440	ZEBD-8-9	8	9	170	.035	3.2
G22026	ZEBD-8-12	8	12	170	.035	3.2
G22027	ZEBD-8-15	8	15	170	.035	3.2
G22441	ZEBD-10-2	10	2	170	.035	3.7
G21780	ZEBD-10-3	10	3	170	.035	3.7
G21781	ZEBD-10-4	10	4	170	.035	3.7
G21783	ZEBD-10-5	10	5	170	.035	3.7
G21785	ZEBD-10-6	10	6	170	.035	3.7
G21787	ZEBD-10-7	10	7	170	.035	3.7
G21788	ZEBD-10-8	10	8	170	.035	3.7
G21789	ZEBD-10-9	10	9	170	.035	3.7
G21862	ZEBD-10-10	10	10	170	.035	3.7
G21864	ZEBD-10-12	10	12	170	.035	3.7
G21865	ZEBD-10-15	10	15	170	.035	3.7
G21439	ZEBD-11.5-5	11.5	5	170	.035	4.2
G21442	ZEBD-11.5-7	11.5	7	170	.035	4.2
G21446	ZEBD-11.5-9	11.5	9	170	.035	4.2
G22207	ZEBD-11.5-12	11.5	12	170	.035	4.2
G22442	ZEBD-11.5-15	11.5	15	170	.035	4.2

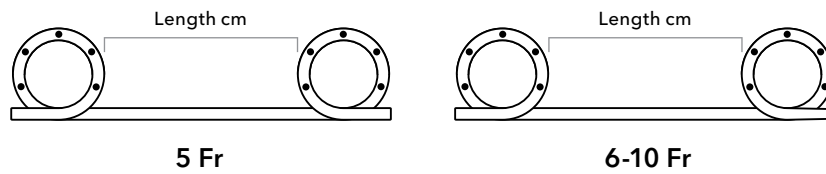
Some products or part numbers may not be available in all markets. Contact your local Cook representative or Customer Service for details regarding: stock/non-stock status (expect longer lead time if non-stock), pricing and/or availability.

Set includes: Stent, pushing catheter and pigtail straightener (with exception of 10 Fr device). Components available separately.



Zimmon® Biliary Stent only

Used to drain obstructed biliary ducts.



Order Number	Reference Part Number	Stent Size Fr	Stent Length cm	Wire Guide Diameter inch	Minimum Accessory Channel mm
G22032	ZSO-5-3	5	3	.035	2
G22034	ZSO-5-4	5	4	.035	2
G22036	ZSO-5-5	5	5	.035	2
G22038	ZSO-5-7	5	7	.035	2
G22040	ZSO-5-9	5	9	.035	2
G21499	ZSO-5-10	5	10	.035	2
G21501	ZSO-5-12	5	12	.035	2
G22443	ZSO-5-15	5	15	.035	2
G22105	ZSO-6-4	6	4	.035	2.8
G22109	ZSO-6-7	6	7	.035	2.8
G22112	ZSO-6-9	6	9	.035	2.8
G21998	ZSO-6-10	6	10	.035	2.8
G22159	ZSO-7-3	7	3	.035	2.8
G22161	ZSO-7-4	7	4	.035	2.8
G22163	ZSO-7-5	7	5	.035	2.8
G22164	ZSO-7-6	7	6	.035	2.8
G22167	ZSO-7-7	7	7	.035	2.8
G22170	ZSO-7-9	7	9	.035	2.8
G21707	ZSO-7-10	7	10	.035	2.8
G21708	ZSO-7-12	7	12	.035	2.8

Some products or part numbers may not be available in all markets. Contact your local Cook representative or Customer Service for details regarding: stock/non-stock status (expect longer lead time if non-stock), pricing and/or availability.

Includes a pigtail straightener (with exception of 10 Fr device).

Continued on page 121

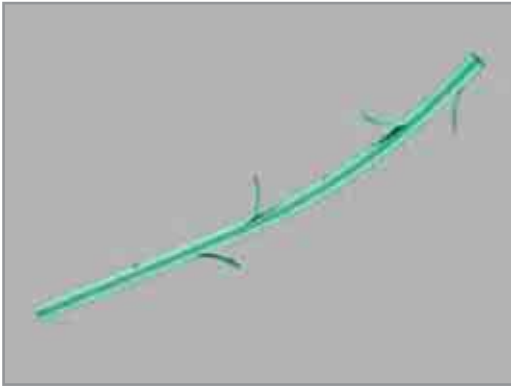
Zimmon® Biliary Stent only

Continued from page 120

Order Number	Reference Part Number	Stent Size Fr	Stent Length cm	Wire Guide Diameter inch	Minimum Accessory Channel mm
G21711	ZSO-7-15	7	15	.035	2.8
G23005	ZSO-7-16	7	16	.035	2.8
G23006	ZSO-7-18	7	18	.035	2.8
G21369	ZSO-8-4	8	4	.035	3.2
G21370	ZSO-8-5	8	5	.035	3.2
G21372	ZSO-8-7	8	7	.035	3.2
G21375	ZSO-8-9	8	9	.035	3.2
G21401	ZSO-8-10	8	10	.035	3.2
G21404	ZSO-8-12	8	12	.035	3.2
G21408	ZSO-8-15	8	15	.035	3.2
G25399	ZSO-10-2	10	2	.035	3.7
G21973	ZSO-10-3	10	3	.035	3.7
G21974	ZSO-10-4	10	4	.035	3.7
G21975	ZSO-10-5	10	5	.035	3.7
G21976	ZSO-10-6	10	6	.035	3.7
G21977	ZSO-10-7	10	7	.035	3.7
G21980	ZSO-10-8	10	8	.035	3.7
G21982	ZSO-10-9	10	9	.035	3.7
G21637	ZSO-10-10	10	10	.035	3.7
G21640	ZSO-10-12	10	12	.035	3.7
G21645	ZSO-10-15	10	15	.035	3.7

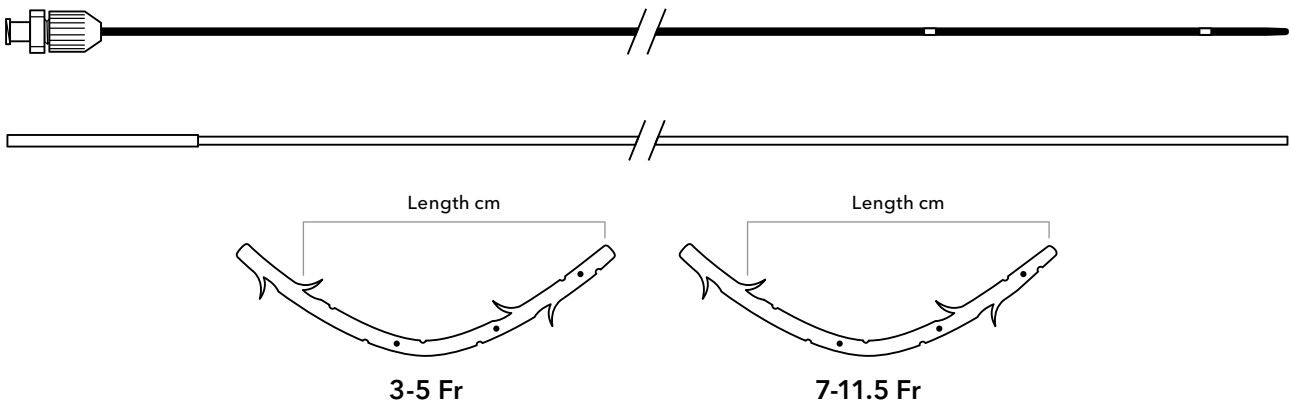
Some products or part numbers may not be available in all markets. Contact your local Cook representative or Customer Service for details regarding: stock/non-stock status (expect longer lead time if non-stock), pricing and/or availability.

Includes a pigtail straightener (with exception of 10 Fr device).



Geenen® Pancreatic Stent Sets

Used to drain obstructed pancreatic ducts.



Order Number	Reference Part Number	Stent Size Fr	Stent Length cm	Pushing Catheter Length cm	Wire Guide Diameter inch	Minimum Accessory Channel mm
G24552	GEPD-3-3	3	3	170	.018	2
G27180	GEPD-3-4	3	4	170	.018	2
G27181	GEPD-3-5	3	5	170	.018	2
G27149	GEPD-3-6	3	6	170	.018	2
G27182	GEPD-3-7	3	7	170	.018	2
G27183	GEPD-3-8	3	8	170	.018	2
G27184	GEPD-3-9	3	9	170	.018	2
G27174	GEPD-3-10	3	10	170	.018	2
G27175	GEPD-3-11	3	11	170	.018	2
G27176	GEPD-3-12	3	12	170	.018	2
G27177	GEPD-3-13	3	13	170	.018	2
G27178	GEPD-3-14	3	14	170	.018	2
G27179	GEPD-3-15	3	15	170	.018	2
G22478	GEPD-5-2	5	2	170	.035	2
G22206	GEPD-5-3	5	3	170	.035	2
G22208	GEPD-5-4	5	4	170	.035	2

Some products or part numbers may not be available in all markets. Contact your local Cook representative or Customer Service for details regarding: stock/non-stock status (expect longer lead time if non-stock), pricing and/or availability.

Set Includes: Stent, pushing catheter and guiding catheter. Guiding catheter not included in 3 Fr, 5 Fr and 7 Fr stent sets.

Continued on page 123

Geenen® Pancreatic Stent Sets

Continued from page 122

Order Number	Reference Part Number	Stent Size Fr	Stent Length cm	Pushing Catheter Length cm	Wire Guide Diameter inch	Minimum Accessory Channel mm
G22209	GEPD-5-5	5	5	170	.035	2
G22477	GEPD-5-6	5	6	170	.035	2
G22210	GEPD-5-7	5	7	170	.035	2
G22476	GEPD-5-8	5	8	170	.035	2
G22212	GEPD-5-9	5	9	170	.035	2
G27150	GEPD-5-10	5	10	170	.035	2
G27151	GEPD-5-11	5	11	170	.035	2
G22189	GEPD-5-12	5	12	170	.035	2
G27152	GEPD-5-13	5	13	170	.035	2
G27153	GEPD-5-14	5	14	170	.035	2
G22190	GEPD-5-15	5	15	170	.035	2
G21475	GEPD-7-3	7	3	170	.035	2.8
G21476	GEPD-7-4	7	4	170	.035	2.8
G21478	GEPD-7-5	7	5	170	.035	2.8
G27157	GEPD-7-6	7	6	170	.035	2.8
G21479	GEPD-7-7	7	7	170	.035	2.8
G27158	GEPD-7-8	7	8	170	.035	2.8
G21480	GEPD-7-9	7	9	170	.035	2.8
G21572	GEPD-7-10	7	10	170	.035	2.8
G27154	GEPD-7-11	7	11	170	.035	2.8
G21575	GEPD-7-12	7	12	170	.035	2.8
G27155	GEPD-7-13	7	13	170	.035	2.8
G27156	GEPD-7-14	7	14	170	.035	2.8
G21578	GEPD-7-15	7	15	170	.035	2.8
G22475	GEPD-8.5-3	8.5	3	170	.035	3.2
G22277	GEPD-8.5-5	8.5	5	170	.035	3.2
G22474	GEPD-8.5-7	8.5	7	170	.035	3.2
G22473	GEPD-8.5-9	8.5	9	170	.035	3.2
G24540	GEPD-8.5-12	8.5	12	170	.035	3.2
G22276	GEPD-10-3	10	3	170	.035	3.7
G21851	GEPD-10-5	10	5	170	.035	3.7
G22472	GEPD-10-7	10	7	170	.035	3.7
G22471	GEPD-10-9	10	9	170	.035	3.7
G22487	GEPD-10-12	10	12	170	.035	3.7

Some products or part numbers may not be available in all markets. Contact your local Cook representative or Customer Service for details regarding: stock/non-stock status (expect longer lead time if non-stock), pricing and/or availability.

Set Includes: Stent, pushing catheter and guiding catheter. Guiding catheter not included in 3 Fr, 5 Fr and 7 Fr stent sets.

Continued on page 124

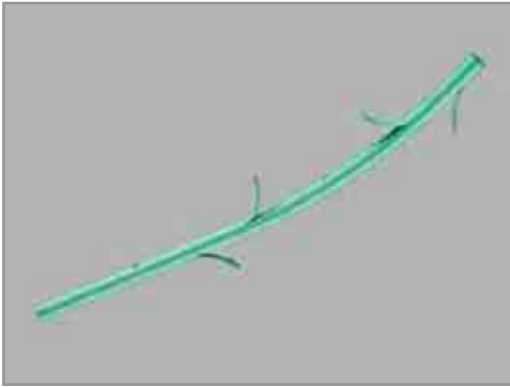
Geenen® Pancreatic Stent Sets

Continued from page 123

Order Number	Reference Part Number	Stent Size Fr	Stent Length cm	Pushing Catheter Length cm	Wire Guide Diameter inch	Minimum Accessory Channel mm
G22488	GEPD-10-15	10	15	170	.035	3.7
G22470	GEPD-11.5-6	11.5	6	170	.035	4.2
G22469	GEPD-11.5-8	11.5	8	170	.035	4.2
G22468	GEPD-11.5-10	11.5	10	170	.035	4.2
G22386	GEPD-11.5-12	11.5	12	170	.035	4.2

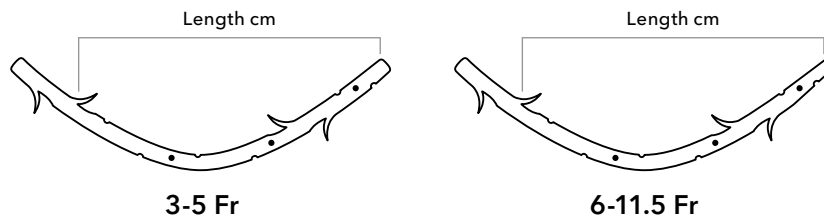
Some products or part numbers may not be available in all markets. Contact your local Cook representative or Customer Service for details regarding: stock/non-stock status (expect longer lead time if non-stock), pricing and/or availability.

Set Includes: Stent, pushing catheter and guiding catheter. Guiding catheter not included in 3 Fr, 5 Fr and 7 Fr stent sets.



Geenen® Pancreatic Stent only

Used to drain obstructed pancreatic ducts.



Order Number	Reference Part Number	Stent Size Fr	Stent Length cm	Wire Guide Diameter inch	Minimum Accessory Channel mm
G27105	GPSO-3-2	3	2	.018	2
G27190	GPSO-3-3	3	3	.018	2
G24543	GPSO-3-4	3	4	.018	2
G24545	GPSO-3-5	3	5	.018	2
G27191	GPSO-3-6	3	6	.018	2
G24523	GPSO-3-7	3	7	.018	2
G27192	GPSO-3-8	3	8	.018	2
G27193	GPSO-3-9	3	9	.018	2
G24542	GPSO-3-10	3	10	.018	2
G27185	GPSO-3-11	3	11	.018	2
G27186	GPSO-3-12	3	12	.018	2
G27187	GPSO-3-13	3	13	.018	2
G27188	GPSO-3-14	3	14	.018	2
G27189	GPSO-3-15	3	15	.018	2
G27106	GPSO-4-2	4	2	.021	2
G24525	GPSO-4-5	4	5	.021	2
G24529	GPSO-4-7	4	7	.021	2
G24801	GPSO-4-9	4	9	.021	2
G22434	GPSO-5-2	5	2	.035	2

Some products or part numbers may not be available in all markets. Contact your local Cook representative or Customer Service for details regarding: stock/non-stock status (expect longer lead time if non-stock), pricing and/or availability.

See page 100 for introducer components, sold separately.

All wire guides are sold separately.

Continued on page 126

Geenen® Pancreatic Stent only

Continued from page 125

Order Number	Reference Part Number	Stent Size Fr	Stent Length cm	Wire Guide Diameter inch	Minimum Accessory Channel mm
G22107	GPSO-5-3	5	3	.035	2
G22110	GPSO-5-4	5	4	.035	2
G22111	GPSO-5-5	5	5	.035	2
G27162	GPSO-5-6	5	6	.035	2
G22113	GPSO-5-7	5	7	.035	2
G27163	GPSO-5-8	5	8	.035	2
G22114	GPSO-5-9	5	9	.035	2
G22097	GPSO-5-10	5	10	.035	2
G27159	GPSO-5-11	5	11	.035	2
G22099	GPSO-5-12	5	12	.035	2
G27160	GPSO-5-13	5	13	.035	2
G27161	GPSO-5-14	5	14	.035	2
G22102	GPSO-5-15	5	15	.035	2
G24802	GPSO-5-18	5	18	.035	2
G22467	GPSO-6-2	6	2	.035	2.8
G22410	GPSO-6-3	6	3	.035	2.8
G22411	GPSO-6-5	6	5	.035	2.8
G22412	GPSO-6-7	6	7	.035	2.8
G22413	GPSO-6-9	6	9	.035	2.8
G22401	GPSO-6-12	6	12	.035	2.8
G24546	GPSO-6-15	6	15	.035	2.8
G22379	GPSO-7-2	7	2	.035	2.8
G21371	GPSO-7-3	7	3	.035	2.8
G21373	GPSO-7-4	7	4	.035	2.8
G21374	GPSO-7-5	7	5	.035	2.8
G21376	GPSO-7-6	7	6	.035	2.8
G21377	GPSO-7-7	7	7	.035	2.8
G27166	GPSO-7-8	7	8	.035	2.8
G21379	GPSO-7-9	7	9	.035	2.8
G21506	GPSO-7-10	7	10	.035	2.8
G22466	GPSO-7-11	7	11	.035	2.8
G21507	GPSO-7-12	7	12	.035	2.8
G27164	GPSO-7-13	7	13	.035	2.8

Some products or part numbers may not be available in all markets. Contact your local Cook representative or Customer Service for details regarding: stock/non-stock status (expect longer lead time if non-stock), pricing and/or availability.

See page 100 for introducer components, sold separately.

All wire guides are sold separately.

Continued on page 126

Geenen® Pancreatic Stent only

Continued from page 126

Order Number	Reference Part Number	Stent Size Fr	Stent Length cm	Wire Guide Diameter inch	Minimum Accessory Channel mm
G27165	GPSO-7-14	7	14	.035	2.8
G21509	GPSO-7-15	7	15	.035	2.8
G22984	GPSO-7-18	7	18	.035	2.8
G22985	GPSO-7-20	7	20	.035	2.8
G22314	GPSO-8.5-3	8.5	3	.035	3.2
G22315	GPSO-8.5-5	8.5	5	.035	3.2
G22316	GPSO-8.5-7	8.5	7	.035	3.2
G22317	GPSO-8.5-9	8.5	9	.035	3.2
G22318	GPSO-8.5-12	8.5	12	.035	3.2
G22986	GPSO-8.5-15	8.5	15	.035	3.2
G22465	GPSO-10-2	10	2	.035	3.7
G22319	GPSO-10-3	10	3	.035	3.7
G22275	GPSO-10-5	10	5	.035	3.7
G22320	GPSO-10-7	10	7	.035	3.7
G22322	GPSO-10-9	10	9	.035	3.7
G22321	GPSO-10-10	10	10	.035	3.7
G22323	GPSO-10-12	10	12	.035	3.7
G22987	GPSO-10-15	10	15	.035	3.7
G22464	GPSO-11.5-3	11.5	3	.035	4.2
G22389	GPSO-11.5-5	11.5	5	.035	4.2
G22463	GPSO-11.5-7	11.5	7	.035	4.2
G22462	GPSO-11.5-9	11.5	9	.035	4.2
G24541	GPSO-11.5-15	11.5	15	.035	4.2

Some products or part numbers may not be available in all markets. Contact your local Cook representative or Customer Service for details regarding: stock/non-stock status (expect longer lead time if non-stock), pricing and/or availability.

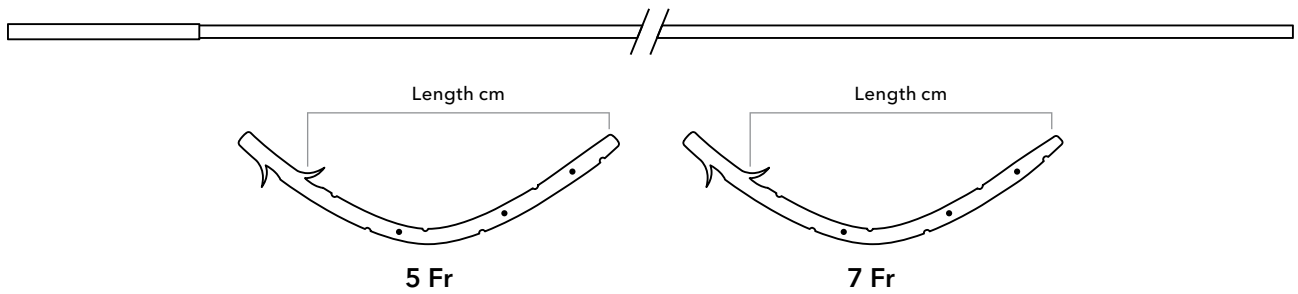
See page 100 for introducer components, sold separately.

All wire guides are sold separately.



Geenen® Pancreatic Stent Sets with No Internal Flap

Used to drain obstructed pancreatic ducts.



Order Number	Reference Part Number	Stent Size Fr	Stent Length cm	Pushing Catheter Length cm	Wire Guide Diameter inch	Minimum Accessory Channel mm
G22461	GPDS-5-2	5	2	170	.035	2
G21802	GPDS-5-3	5	3	170	.035	2
G21803	GPDS-5-5	5	5	170	.035	2
G21804	GPDS-5-7	5	7	170	.035	2
G21806	GPDS-5-9	5	9	170	.035	2
G21723	GPDS-5-12	5	12	170	.035	2
G21724	GPDS-5-15	5	15	170	.035	2
G21898	GPDS-7-3	7	3	170	.035	2.8
G21899	GPDS-7-5	7	5	170	.035	2.8
G21901	GPDS-7-7	7	7	170	.035	2.8
G21902	GPDS-7-9	7	9	170	.035	2.8
G21939	GPDS-7-12	7	12	170	.035	2.8

Some products or part numbers may not be available in all markets. Contact your local Cook representative or Customer Service for details regarding: stock/non-stock status (expect longer lead time if non-stock), pricing and/or availability.

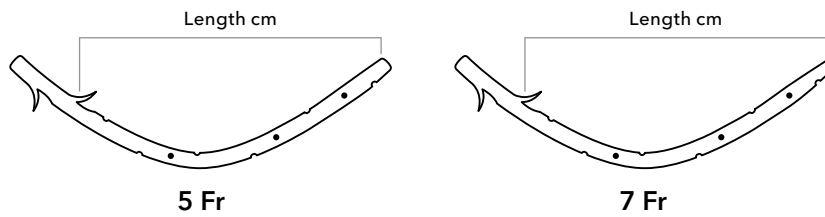
Set Includes: Stent and pushing catheter. Components sold separately.

All wire guides are sold separately.



Geenen® Pancreatic Stent only with No Internal Flap

Used to drain obstructed pancreatic ducts.



Order Number	Reference Part Number	Stent Size Fr	Stent Length cm	Wire Guide Diameter inch	Minimum Accessory Channel mm
G22460	GPSOS-5-2	5	2	.035	2
G21513	GPSOS-5-3	5	3	.035	2
G21514	GPSOS-5-4	5	4	.035	2
G21515	GPSOS-5-5	5	5	.035	2
G21517	GPSOS-5-7	5	7	.035	2
G21519	GPSOS-5-9	5	9	.035	2
G21633	GPSOS-5-12	5	12	.035	2
G21636	GPSOS-5-15	5	15	.035	2
G22459	GPSOS-7-2	7	2	.035	2.8
G21592	GPSOS-7-3	7	3	.035	2.8
G21594	GPSOS-7-5	7	5	.035	2.8
G21595	GPSOS-7-7	7	7	.035	2.8
G21597	GPSOS-7-9	7	9	.035	2.8
G21856	GPSOS-7-10	7	10	.035	2.8
G21858	GPSOS-7-12	7	12	.035	2.8
G25073	GPSOS-7-15	7	15	.035	2.8

Some products or part numbers may not be available in all markets. Contact your local Cook representative or Customer Service for details regarding: stock/non-stock status (expect longer lead time if non-stock), pricing and/or availability.

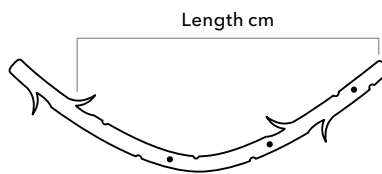
See page 100 for introducer components, sold separately.

All wire guides are sold separately.



Geenen® Sof-Flex® Pancreatic Stent

Used to drain obstructed pancreatic ducts.

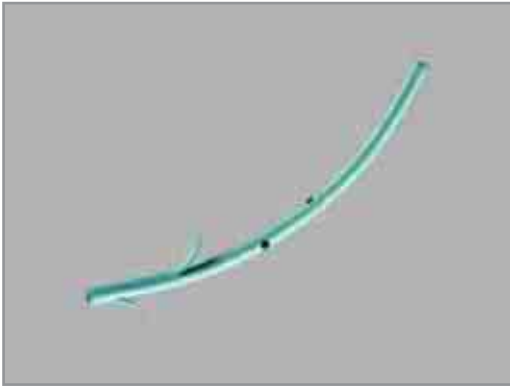


Order Number	Reference Part Number	Stent Size Fr	Stent Length cm	Wire Guide Diameter inch	Minimum Accessory Channel mm
G49663	GPSO-SF-5-3	5	3	.035	2
G49664	GPSO-SF-5-5	5	5	.035	2
G49665	GPSO-SF-5-7	5	7	.035	2
G49666	GPSO-SF-5-9	5	9	.035	2
G49667	GPSO-SF-5-12	5	12	.035	2

Some products or part numbers may not be available in all markets. Contact your local Cook representative or Customer Service for details regarding: stock/non-stock status (expect longer lead time if non-stock), pricing and/or availability.

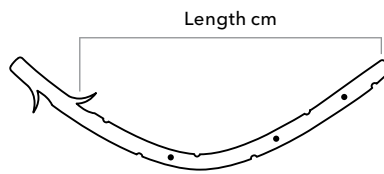
See page 100 for introducer components, sold separately.

All wire guides are sold separately.



Geenen® Sof-Flex® Pancreatic Stent with No Internal Flap

Used to drain obstructed pancreatic ducts.

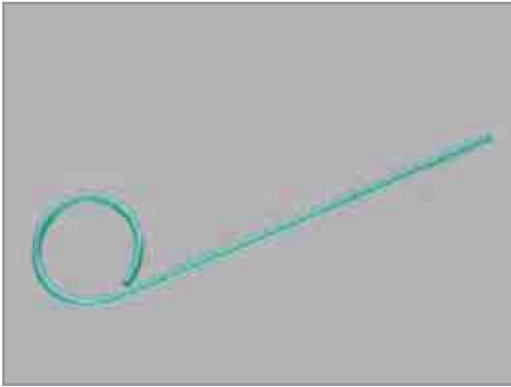


Order Number	Reference Part Number	Stent Size Fr	Stent Length cm	Wire Guide Diameter inch	Minimum Accessory Channel mm
G49668	GPSOS-SF-5-3	5	3	.035	2
G49669	GPSOS-SF-5-5	5	5	.035	2
G49670	GPSOS-SF-5-7	5	7	.035	2
G49671	GPSOS-SF-5-9	5	9	.035	2
G49672	GPSOS-SF-5-12	5	12	.035	2

Some products or part numbers may not be available in all markets. Contact your local Cook representative or Customer Service for details regarding: stock/non-stock status (expect longer lead time if non-stock), pricing and/or availability.

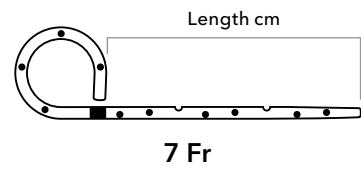
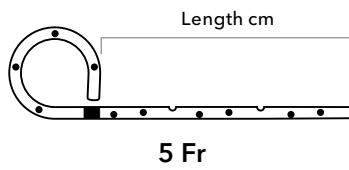
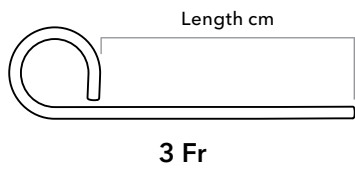
See page 100 for introducer components, sold separately.

All wire guides are sold separately.



Zimmon® Pancreatic Stent with No Ductal Flap

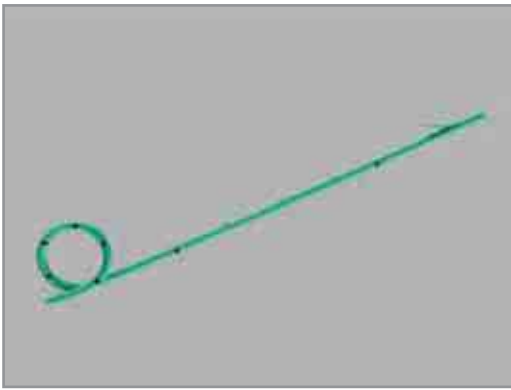
Used to drain obstructed pancreatic ducts.



Order Number	Reference Part Number	Stent Size Fr	Stent Length cm	Wire Guide Diameter inch	Minimum Accessory Channel mm
G24566	SPSOS-3-4-N	3	4	.018	2
G24567	SPSOS-3-6-N	3	6	.018	2
G24568	SPSOS-3-8-N	3	8	.018	2
G24564	SPSOS-3-10-N	3	10	.018	2
G24565	SPSOS-3-12-N	3	12	.018	2
G26847	SPSOS-3-18-N	3	18	.018	2
G24570	SPSOS-5-3	5	3	.035	2
G24574	SPSOS-5-5	5	5	.035	2
G24578	SPSOS-5-7	5	7	.035	2
G24587	SPSOS-7-3	7	3	.035	2.8
G24588	SPSOS-7-5	7	5	.035	2.8

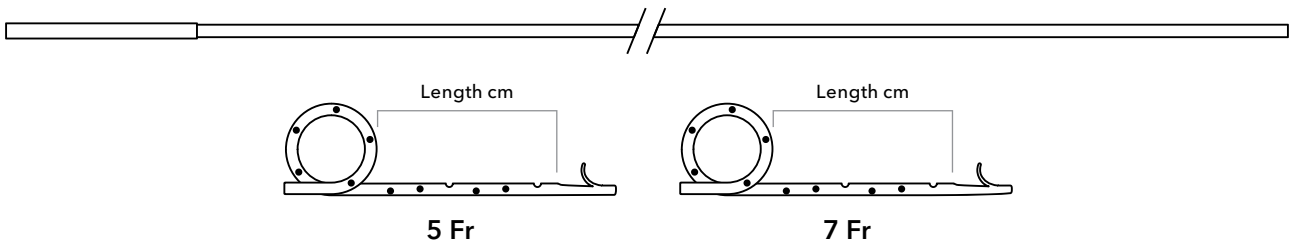
Some products or part numbers may not be available in all markets. Contact your local Cook representative or Customer Service for details regarding: stock/non-stock status (expect longer lead time if non-stock), pricing and/or availability.

Introducer components sold separately.



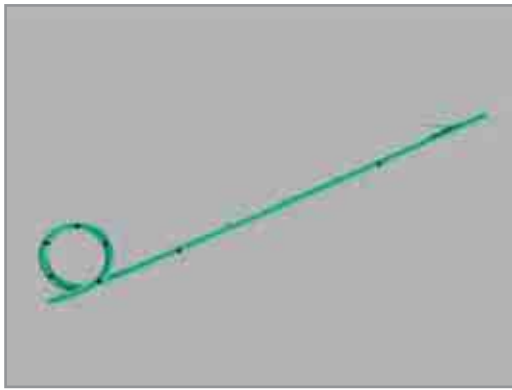
Zimmon® Pancreatic Stent Sets

Used to drain obstructed pancreatic ducts.



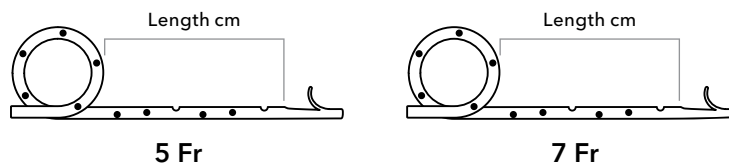
Order Number	Reference Part Number	Stent Size Fr	Stent Length cm	Wire Guide Diameter inch	Minimum Accessory Channel mm
G22162	ZEPDF-5-2	5	2	.035	2
G22165	ZEPDF-5-4	5	4	.035	2
G22444	ZEPDF-5-5	5	5	.035	2
G22169	ZEPDF-5-6	5	6	.035	2
G22171	ZEPDF-5-7	5	7	.035	2
G22173	ZEPDF-5-8	5	8	.035	2
G22445	ZEPDF-5-9	5	9	.035	2
G22115	ZEPDF-5-10	5	10	.035	2
G22116	ZEPDF-5-12	5	12	.035	2
G21425	ZEPDF-7-2	7	2	.035	2.8
G21426	ZEPDF-7-4	7	4	.035	2.8
G22446	ZEPDF-7-5	7	5	.035	2.8
G21427	ZEPDF-7-6	7	6	.035	2.8
G22447	ZEPDF-7-7	7	7	.035	2.8
G21428	ZEPDF-7-8	7	8	.035	2.8
G21429	ZEPDF-7-9	7	9	.035	2.8
G21522	ZEPDF-7-10	7	10	.035	2.8
G21524	ZEPDF-7-12	7	12	.035	2.8
G24563	ZEPDF-7-15	7	15	.035	2.8

Some products or part numbers may not be available in all markets. Contact your local Cook representative or Customer Service for details regarding: stock/non-stock status (expect longer lead time if non-stock), pricing and/or availability.



Zimmon® Pancreatic Stent only

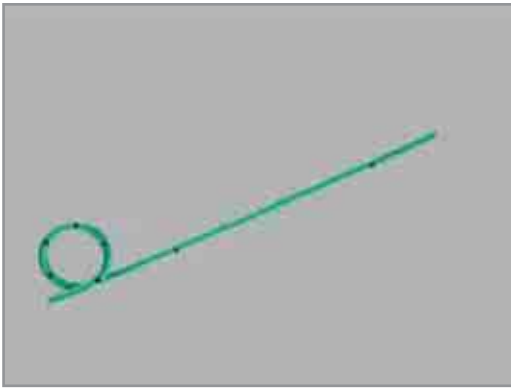
Used to drain obstructed pancreatic ducts.



Order Number	Reference Part Number	Stent Size Fr	Stent Length cm	Wire Guide Diameter inch	Minimum Accessory Channel mm
G22071	ZPSOF-5-2	5	2	.035	2
G22375	ZPSOF-5-3	5	3	.035	2
G22073	ZPSOF-5-4	5	4	.035	2
G22448	ZPSOF-5-5	5	5	.035	2
G22075	ZPSOF-5-6	5	6	.035	2
G22076	ZPSOF-5-7	5	7	.035	2
G22077	ZPSOF-5-8	5	8	.035	2
G22449	ZPSOF-5-9	5	9	.035	2
G21827	ZPSOF-5-10	5	10	.035	2
G21828	ZPSOF-5-12	5	12	.035	2
G22450	ZPSOF-5-15	5	15	.035	2
G22184	ZPSOF-7-2	7	2	.035	2.8
G22186	ZPSOF-7-4	7	4	.035	2.8
G22187	ZPSOF-7-6	7	6	.035	2.8
G22451	ZPSOF-7-7	7	7	.035	2.8
G22188	ZPSOF-7-8	7	8	.035	2.8
G22452	ZPSOF-7-9	7	9	.035	2.8
G22065	ZPSOF-7-10	7	10	.035	2.8
G22068	ZPSOF-7-12	7	12	.035	2.8
G22435	ZPSOF-7-15	7	15	.035	2.8

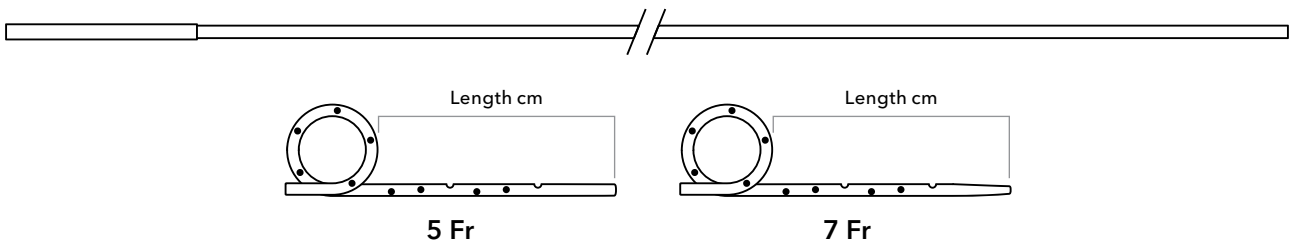
Some products or part numbers may not be available in all markets. Contact your local Cook representative or Customer Service for details regarding: stock/non-stock status (expect longer lead time if non-stock), pricing and/or availability.

Introducer components sold separately.



Zimmon® Pancreatic Stent Sets

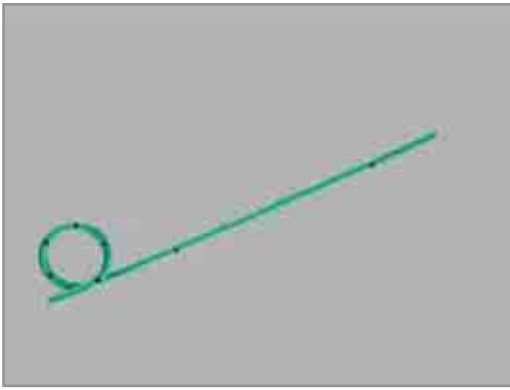
Used to drain obstructed pancreatic ducts.



Order Number	Reference Part Number	Stent Size Fr	Stent Length cm	Wire Guide Diameter inch	Minimum Accessory Channel mm
G21920	ZEPDS-5-2	5	2	.035	2
G21923	ZEPDS-5-4	5	4	.035	2
G21924	ZEPDS-5-6	5	6	.035	2
G21926	ZEPDS-5-8	5	8	.035	2
G21689	ZEPDS-5-10	5	10	.035	2
G21691	ZEPDS-5-12	5	12	.035	2
G22041	ZEPDS-7-4	7	4	.035	2.8
G22042	ZEPDS-7-6	7	6	.035	2.8
G22045	ZEPDS-7-8	7	8	.035	2.8
G21893	ZEPDS-7-10	7	10	.035	2.8
G21895	ZEPDS-7-12	7	12	.035	2.8

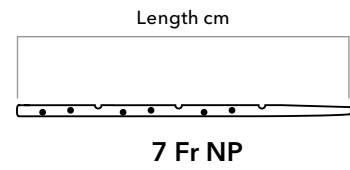
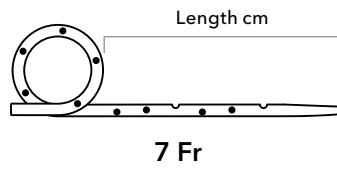
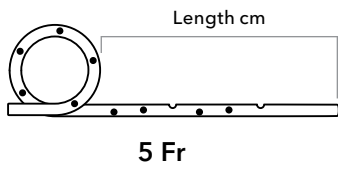
Some products or part numbers may not be available in all markets. Contact your local Cook representative or Customer Service for details regarding: stock/non-stock status (expect longer lead time if non-stock), pricing and/or availability.

Set includes: Introducer. Components available separately.



Zimmon® Pancreatic Stent only

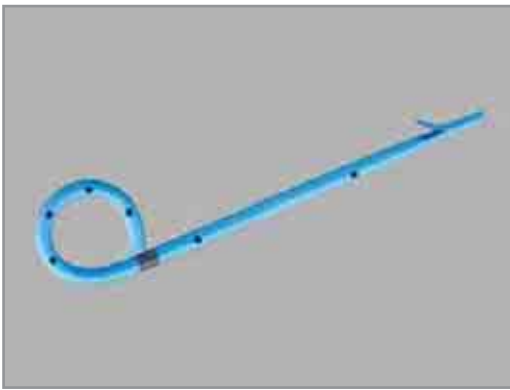
Used to drain obstructed pancreatic ducts.



Order Number	Reference Part Number	Stent Size Fr	Stent Length cm	Wire Guide Diameter inch	Minimum Accessory Channel mm
G22453	ZPSOS-5-3	5	3	.035	2
G22457	ZPSOS-5-5	5	5	.035	2
G21849	ZPSOS-5-7	5	7	.035	2
G22458	ZPSOS-5-9	5	9	.035	2
G21419	ZPSOS-5-12	5	12	.035	2
G21953	ZPSOS-7-4	7	4	.035	2.8
G21955	ZPSOS-7-6	7	6	.035	2.8
G21956	ZPSOS-7-8	7	8	.035	2.8
G21638	ZPSOS-7-10	7	10	.035	2.8
G21642	ZPSOS-7-12	7	12	.035	2.8
G24610	ZPSOS-7-25-NP	7	25	.035	2.8

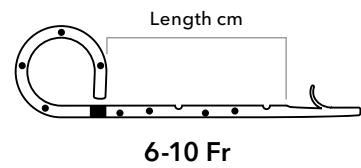
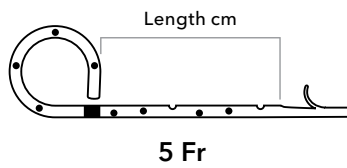
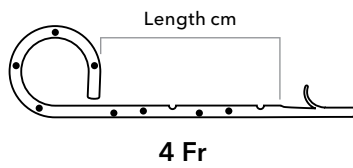
Some products or part numbers may not be available in all markets. Contact your local Cook representative or Customer Service for details regarding: stock/non-stock status (expect longer lead time if non-stock), pricing and/or availability.

Introducer components sold separately.



Zimmon® Pancreatic Stent

Used to drain obstructed pancreatic ducts.



Order Number	Reference Part Number	Stent Size Fr	Stent Length cm	Wire Guide Diameter inch	Minimum Accessory Channel mm
G24571	SPSOF-4-2	4	2	.021	2
G24575	SPSOF-4-4	4	4	.021	2
G24579	SPSOF-4-6	4	6	.021	2
G24582	SPSOF-4-8	4	8	.021	2
G24569	SPSOF-4-10	4	10	.021	2
G50281	SPSOF-4-12	4	12	.021	2
G50282	SPSOF-4-15	4	15	.021	2
G26839	SPSOF-4-18	4	18	.021	2
G22357	SPSOF-5-2	5	2	.035	2
G22376	SPSOF-5-2.5	5	2.5	.035	2
G22979	SPSOF-5-3	5	3	.035	2
G22358	SPSOF-5-4	5	4	.035	2
G22980	SPSOF-5-5	5	5	.035	2
G22359	SPSOF-5-6	5	6	.035	2
G22360	SPSOF-5-7	5	7	.035	2
G22361	SPSOF-5-8	5	8	.035	2
G22981	SPSOF-5-9	5	9	.035	2
G22362	SPSOF-5-10	5	10	.035	2
G27194	SPSOF-5-11	5	11	.035	2
G22363	SPSOF-5-12	5	12	.035	2

Some products or part numbers may not be available in all markets. Contact your local Cook representative or Customer Service for details regarding: stock/non-stock status (expect longer lead time if non-stock), pricing and/or availability. See page 100 for introducer components, sold separately.

Continued on page 138

Zimmon® Pancreatic Stent

Continued from page 137

Order Number	Reference Part Number	Stent Size Fr	Stent Length cm	Wire Guide Diameter inch	Minimum Accessory Channel mm
G22978	SPSOF-5-15	5	15	.035	2
G22364	SPSOF-6-2	6	2	.035	2.8
G22377	SPSOF-6-2.5	6	2.5	.035	2.8
G22365	SPSOF-6-4	6	4	.035	2.8
G22366	SPSOF-6-6	6	6	.035	2.8
G22367	SPSOF-6-8	6	8	.035	2.8
G22368	SPSOF-6-10	6	10	.035	2.8
G22369	SPSOF-6-12	6	12	.035	2.8
G24584	SPSOF-6-15	6	15	.035	2.8
G22350	SPSOF-7-2	7	2	.035	2.8
G22378	SPSOF-7-2.5	7	2.5	.035	2.8
G22454	SPSOF-7-3	7	3	.035	2.8
G22351	SPSOF-7-4	7	4	.035	2.8
G22455	SPSOF-7-5	7	5	.035	2.8
G22352	SPSOF-7-6	7	6	.035	2.8
G22353	SPSOF-7-7	7	7	.035	2.8
G22354	SPSOF-7-8	7	8	.035	2.8
G22456	SPSOF-7-9	7	9	.035	2.8
G22355	SPSOF-7-10	7	10	.035	2.8
G27195	SPSOF-7-11	7	11	.035	2.8
G22356	SPSOF-7-12	7	12	.035	2.8
G22983	SPSOF-7-15	7	15	.035	2.8
G24586	SPSOF-7-18	7	18	.035	2.8
G24590	SPSOF-8.5-7	8.5	7	.035	3.2
G24593	SPSOF-8.5-10	8.5	10	.035	3.2
G24594	SPSOF-8.5-12	8.5	12	.035	3.2
G22975	SPSOF-10-3	10	3	.035	3.7
G22976	SPSOF-10-4	10	4	.035	3.7
G24589	SPSOF-10-5	10	5	.035	3.7
G22977	SPSOF-10-6	10	6	.035	3.7
G24591	SPSOF-10-7	10	7	.035	3.7
G24707	SPSOF-10-8	10	8	.035	3.7
G22982	SPSOF-10-10	10	10	.035	3.7
G24592	SPSOF-10-12	10	12	.035	3.7
G24585	SPSOF-10-15	10	15	.035	3.7

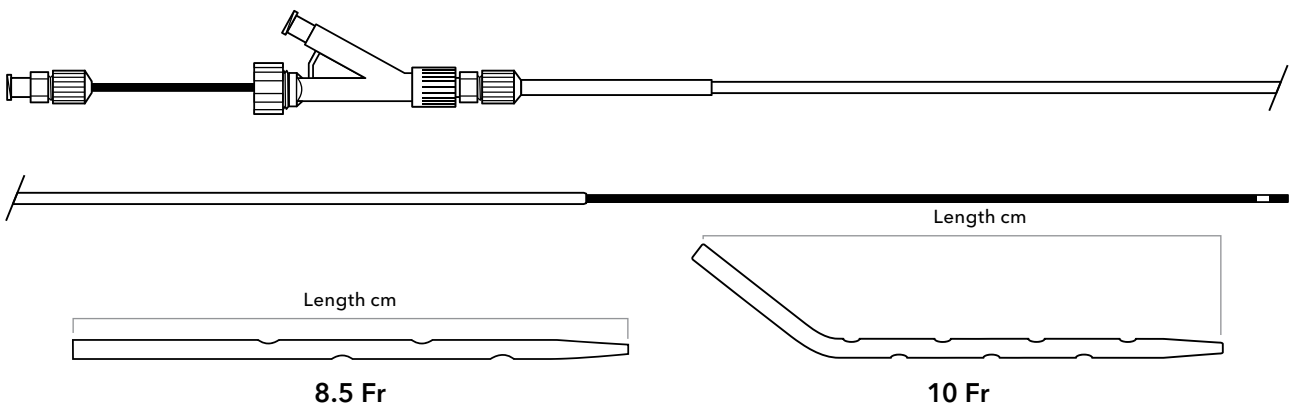
Some products or part numbers may not be available in all markets. Contact your local Cook representative or Customer Service for details regarding: stock/non-stock status (expect longer lead time if non-stock), pricing and/or availability.

See page 100 for introducer components, sold separately.



Johlin™ Pancreatic Wedge Stent

Used to drain obstructed pancreatic ducts.



Order Number	Reference Part Number	Stent Size Fr	Stent Length cm	Wire Guide Diameter inch	Minimum Accessory Channel mm
G25694	JPWS-8.5-8	8.5	8	.035	3.2
G25695	JPWS-8.5-10	8.5	10	.035	3.2
G25693	JPWS-8.5-12	8.5	12	.035	3.2
G25691	JPWS-8.5-14	8.5	14	.035	3.2
G25690	JPWS-8.5-16	8.5	16	.035	3.2
G26830	JPWS-8.5-18	8.5	18	.035	3.2
G26831	JPWS-8.5-20	8.5	20	.035	3.2
G26832	JPWS-8.5-22	8.5	22	.035	3.2
G25713	JPWS-10-8	10	8	.035	3.7
G25714	JPWS-10-10	10	10	.035	3.7
G25715	JPWS-10-12	10	12	.035	3.7
G25716	JPWS-10-14	10	14	.035	3.7
G25717	JPWS-10-16	10	16	.035	3.7
G26825	JPWS-10-18	10	18	.035	3.7
G26827	JPWS-10-20	10	20	.035	3.7
G26828	JPWS-10-22	10	22	.035	3.7

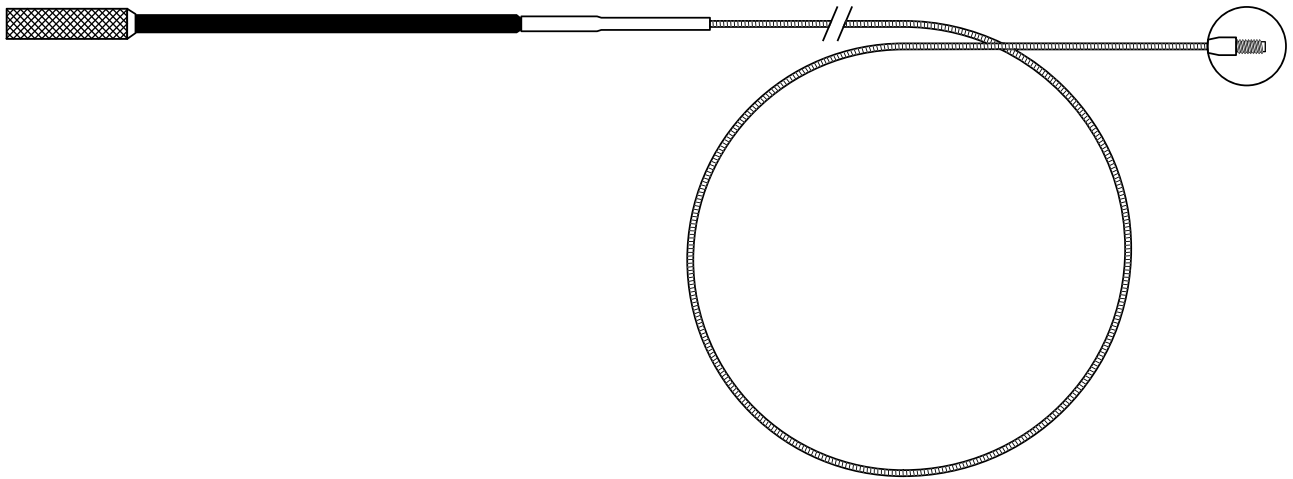
Some products or part numbers may not be available in all markets. Contact your local Cook representative or Customer Service for details regarding: stock/non-stock status (expect longer lead time if non-stock), pricing and/or availability.

Includes Wedge Stent Introducer, designed specifically for the Johlin Stent.



Soehendra® Stent Retriever

Used to remove stents from the biliary and pancreatic ducts while maintaining wire guide placement.



Order Number	Reference Part Number	Retrieved Stent Size Fr	Working Length cm	Wire Guide Diameter inch	Minimum Accessory Channel mm
G21934	SSR-5	5	168	.018	2.8
G21937	SSR-7	7	168	.035	2.8
G21661	SSR-8.5	8.5	168	.035	3.2
G22205	SSR-10	10	168	.035	4.2
G21535	SSR-11.5	11.5	168	.035	4.2

Some products or part numbers may not be available in all markets. Contact your local Cook representative or Customer Service for details regarding: stock/non-stock status (expect longer lead time if non-stock), pricing and/or availability.

Endoscopic Ultrasound



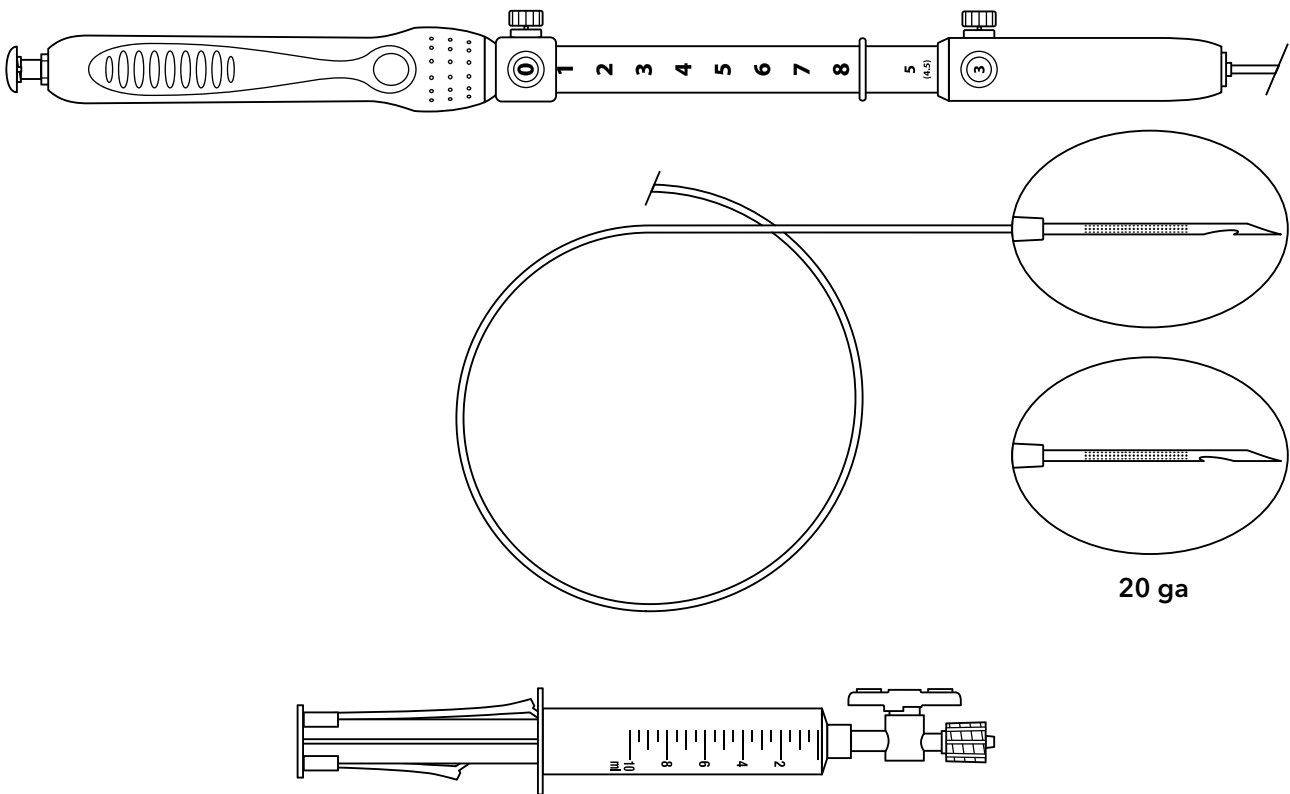
Endoscopic Ultrasound

Needles 141



EchoTip ProCore® HD Ultrasound Biopsy Needle

Used with an ultrasound endoscope for fine needle biopsy (FNB) of submucosal lesions, mediastinal masses, lymph nodes and intraperitoneal masses within or adjacent to the gastrointestinal tract.



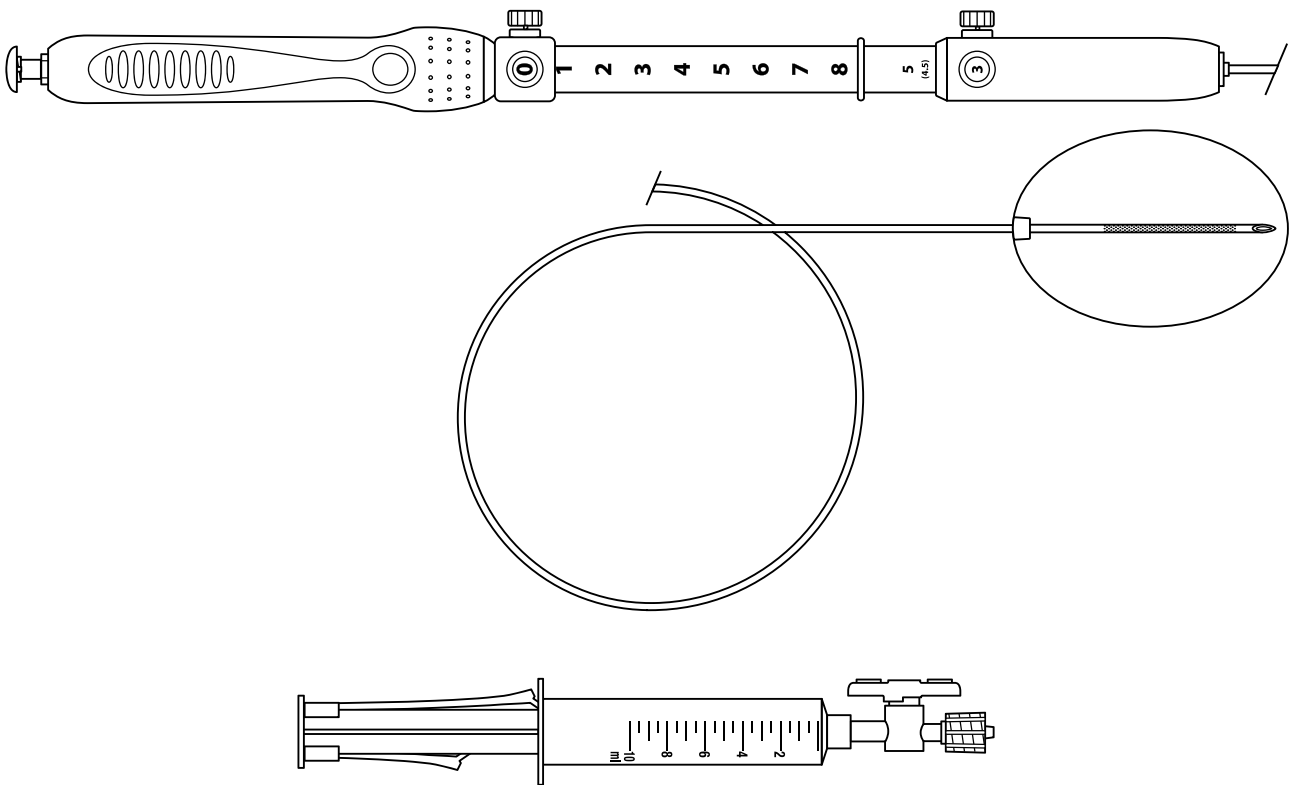
Order Number	Reference Part Number	Needle Size gauge	Sheath Size Fr	Adjustable Needle Extension cm	Stylet Tip	Minimum Accessory Channel mm
G53585	ECHO-HD-19-C	19	4.8	0-8	recessed ball tip	2
G34785	ECHO-HD-3-20-C	20	7.95	0-8	recessed ball tip	3.7
G55736	ECHO-HD-22-C	22	5.2	0-8	recessed ball tip	2
G55738	ECHO-HD-25-C	25	5.2	0-8	beveled	2

Some products or part numbers may not be available in all markets. Contact your local Cook representative or Customer Service for details regarding: stock/non-stock status (expect longer lead time if non-stock), pricing and/or availability.



EchoTip® Ultra Endoscopic Ultrasound Needle

Used to sample targeted submucosal gastrointestinal lesions through the accessory channel of an ultrasound endoscope.
 *This device is indicated for adult use only.



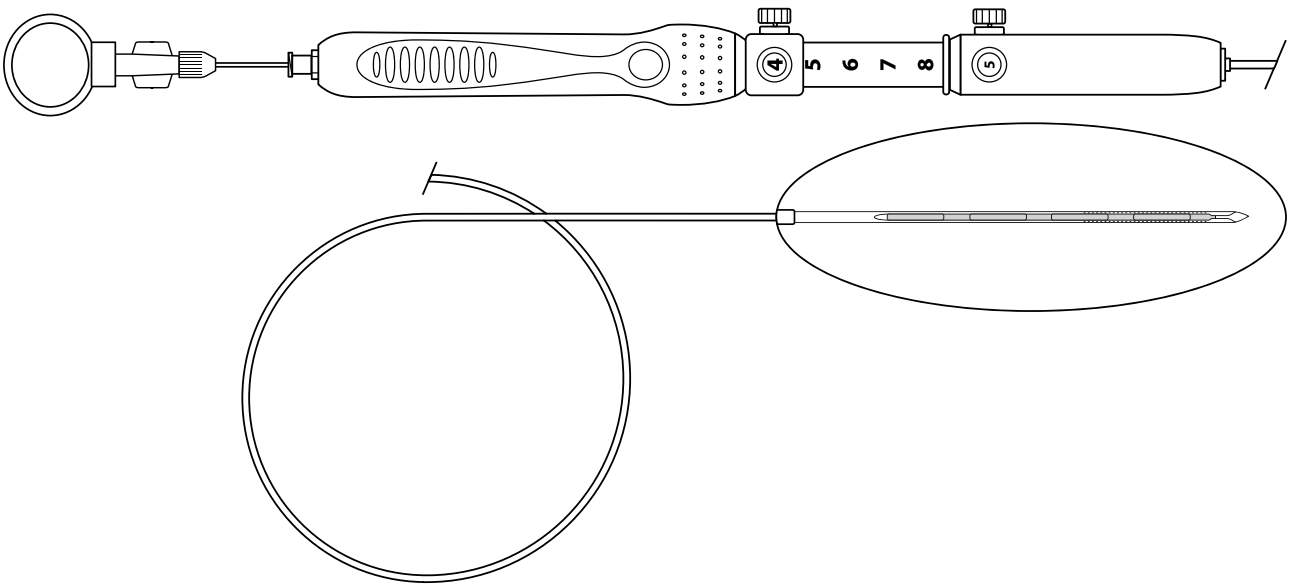
Order Number	Reference Part Number	Needle Size gauge	Sheath Size Fr	Adjustable Needle Extension cm	Stylet Tip	Minimum Accessory Channel mm
G31520	ECHO-19	19	5.2-4.2	0-8	ball tip	2
G31518	ECHO-1-22	22	5.2	0-8	ball tip	2
G31521	ECHO-3-22*	22	5.4	0-8	ball tip	2.8
G31519	ECHO-25	25	5.2	0-8	ball tip	2

Some products or part numbers may not be available in all markets. Contact your local Cook representative or Customer Service for details regarding: stock/non-stock status (expect longer lead time if non-stock), pricing and/or availability.



EchoTip® Ultra Fiducial Needle

Used to implant fiducials under endoscopic ultrasound to radiographically mark soft tissue for future therapeutic procedures.



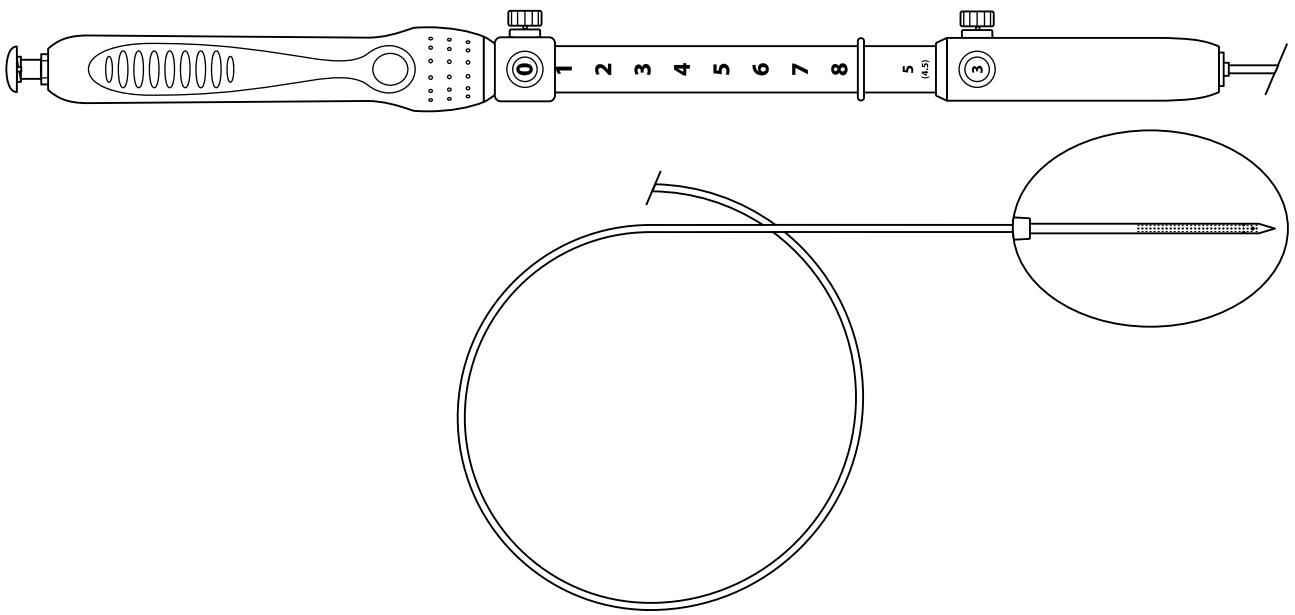
Order Number	Reference Part Number	Needle Size gauge	Fiducial Length mm	Fiducial Width mm	Number of Fiducials per Device	MR Status	Minimum Accessory Channel mm
G03793	ECHO-22-F	22	5	.43	4		3.7

Some products or part numbers may not be available in all markets. Contact your local Cook representative or Customer Service for details regarding: stock/non-stock status (expect longer lead time if non-stock), pricing and/or availability.



EchoTip® Ultra Celiac Plexus Neurolysis Needle

Used to deliver neurolysing agents to the Celiac Plexus under guidance by endoscopic ultrasound.



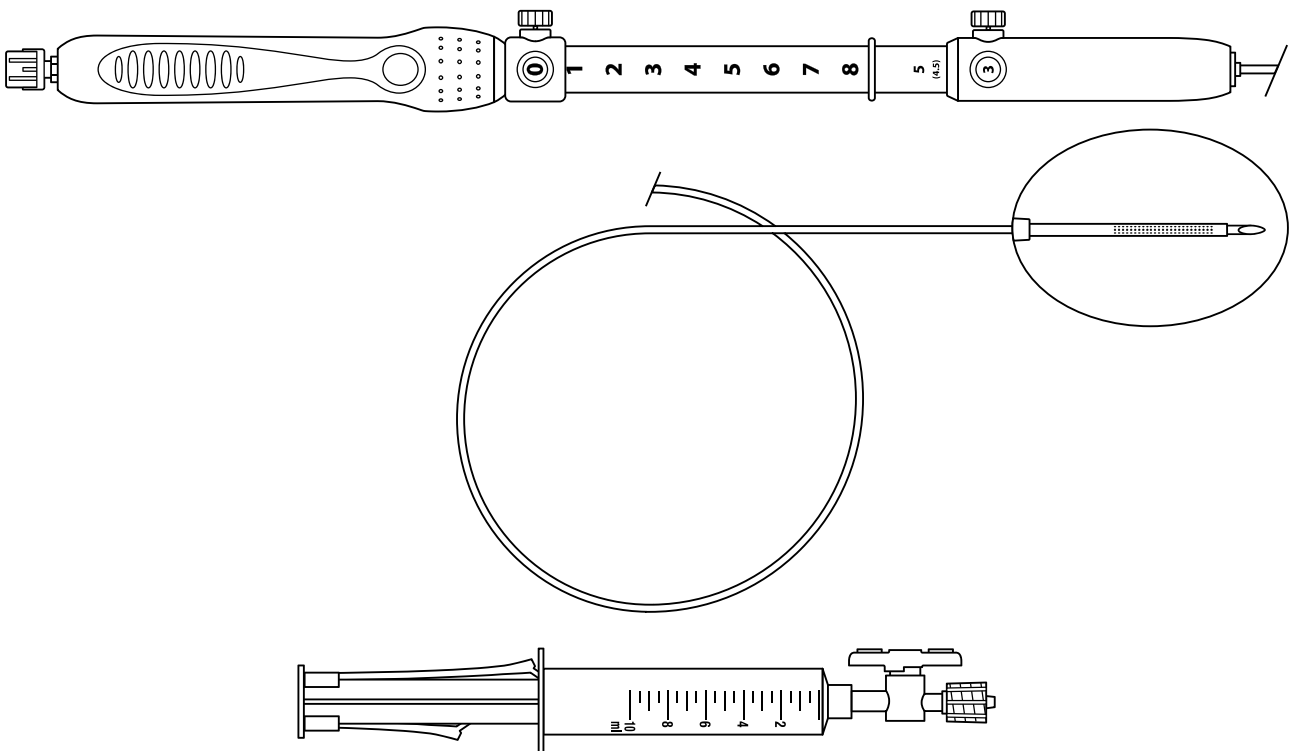
Order Number	Reference Part Number	Needle Size gauge	Sheath Size Fr	Adjustable Needle Extension cm	Needle Tip	Minimum Accessory Channel mm
G49257	ECHO-20-CPN	20	6	0-8	cone tip with side holes	2.4

Some products or part numbers may not be available in all markets. Contact your local Cook representative or Customer Service for details regarding: stock/non-stock status (expect longer lead time if non-stock), pricing and/or availability.



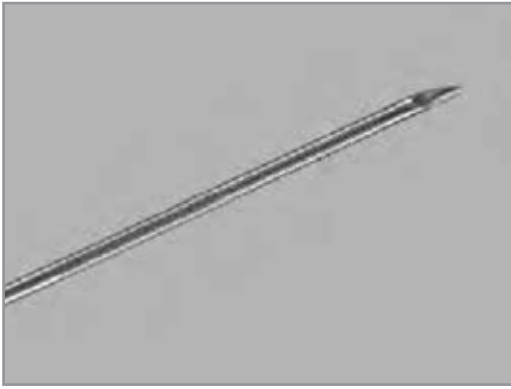
EchoTip® Ultra HD Ultrasound Access Needle

This device is used to access or sample submucosal and extramural lesions of the gastrointestinal tract, access of the following: the intra- or extra-hepatic bile ducts, pancreatic ducts, cystic duct, gallbladder or for delivery of injectable materials into tissues through the accessory channel of an ultrasound endoscope.



Order Number	Reference Part Number	Needle Size gauge	Sheath Size Fr	Adjustable Needle Extension cm	Stylet Tip	Minimum Accessory Channel mm
G52012	ECHO-HD-19-A	19	5.2-4.2	0-8	beveled	2

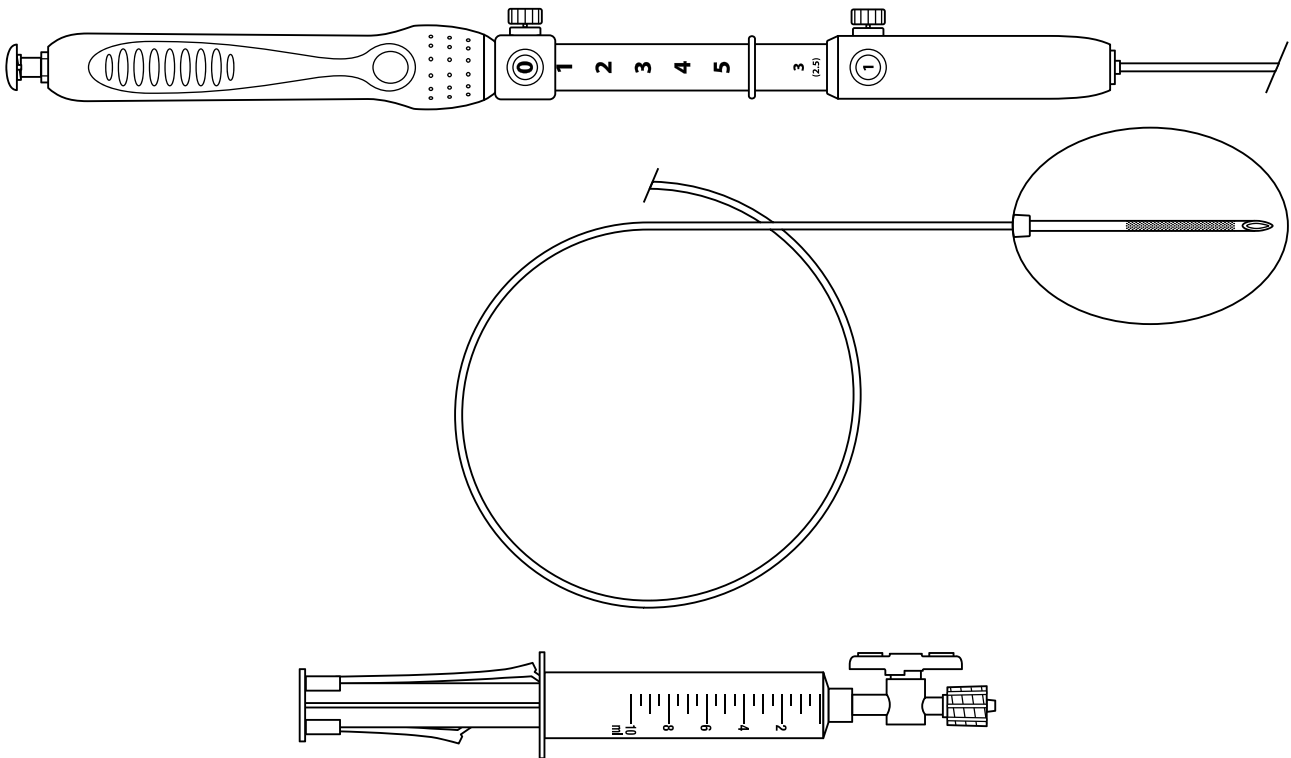
Some products or part numbers may not be available in all markets. Contact your local Cook representative or Customer Service for details regarding: stock/non-stock status (expect longer lead time if non-stock), pricing and/or availability.



EchoTip® Ultra Endobronchial HD Ultrasound Needle

Olympus® - Used to sample targeted submucosal and extramural lesions within or adjacent to the tracheobronchial tree or gastrointestinal tract through the accessory channel of an ultrasound endoscope for Fine Needle Aspiration.

Pentax® - Used to sample targeted submucosal and extramural lesions within or adjacent to the tracheobronchial tree through the accessory channel of an ultrasound endoscope for Fine Needle Aspiration.



Order Number	Reference Part Number	Needle Size gauge	Sheath Size Fr	Adjustable Needle Extension cm	Stylet Tip	Minimum Accessory Channel mm
G52011	ECHO-HD-22-EBUS-O*	22	4.1	0-5	beveled	2
G53408	ECHO-HD-22-EBUS-P**	22	4.1	0-5	beveled	2
G24062	ECHO-HD-25-EBUS-O*	25	4.1	0-5	beveled	2
G24061	ECHO-HD-25-EBUS-P**	25	4.1	0-5	beveled	2

Some products or part numbers may not be available in all markets. Contact your local Cook representative or Customer Service for details regarding: stock/non-stock status (expect longer lead time if non-stock), pricing and/or availability.

*Needle attaches to scope adapter on Olympus Endobronchial Ultrasound scope with non-luer metal hub.

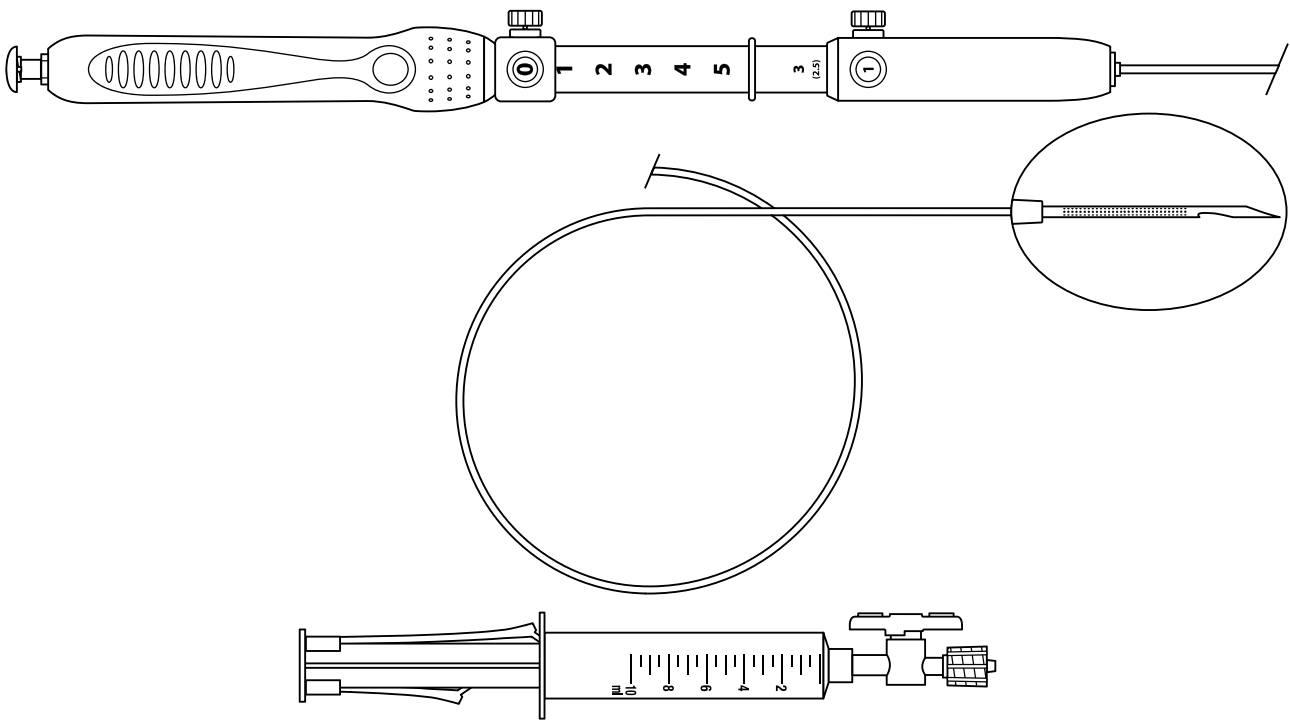
**Needle attaches to luer metal hub on Pentax Endobronchial Ultrasound scope.



EchoTip ProCore® Endobronchial HD Ultrasound Biopsy Needle

Olympus - Used with an ultrasound endoscope for fine needle biopsy, (FNB), of submucosal and extramural lesions within or adjacent to the tracheobronchial tree or gastrointestinal tract.

Pentax - Used with an ultrasound endoscope for fine needle biopsy, (FNB), of submucosal and extramural lesions within or adjacent to the tracheobronchial tree.



Order Number	Reference Part Number	Needle Size gauge	Sheath Size Fr	Adjustable Needle Extension cm	Stylet Tip	Minimum Accessory Channel mm
G34281	ECHO-HD-22-EBUS-O-C*	22	4.1	0-5	recessed ball tip	2
G34279	ECHO-HD-22-EBUS-P-C**	22	4.1	0-5	recessed ball tip	2
G34282	ECHO-HD-25-EBUS-O-C*	25	4.1	0-5	beveled	2
G34280	ECHO-HD-25-EBUS-P-C**	25	4.1	0-5	beveled	2

Some products or part numbers may not be available in all markets. Contact your local Cook representative or Customer Service for details regarding: stock/non-stock status (expect longer lead time if non-stock), pricing and/or availability.

*Needle attaches to scope adapter on Olympus Endobronchial Ultrasound scope with non-luer metal hub.

**Needle attaches to luer metal hub on Pentax Endobronchial Ultrasound scope.

Hemostasis



Hemostasis

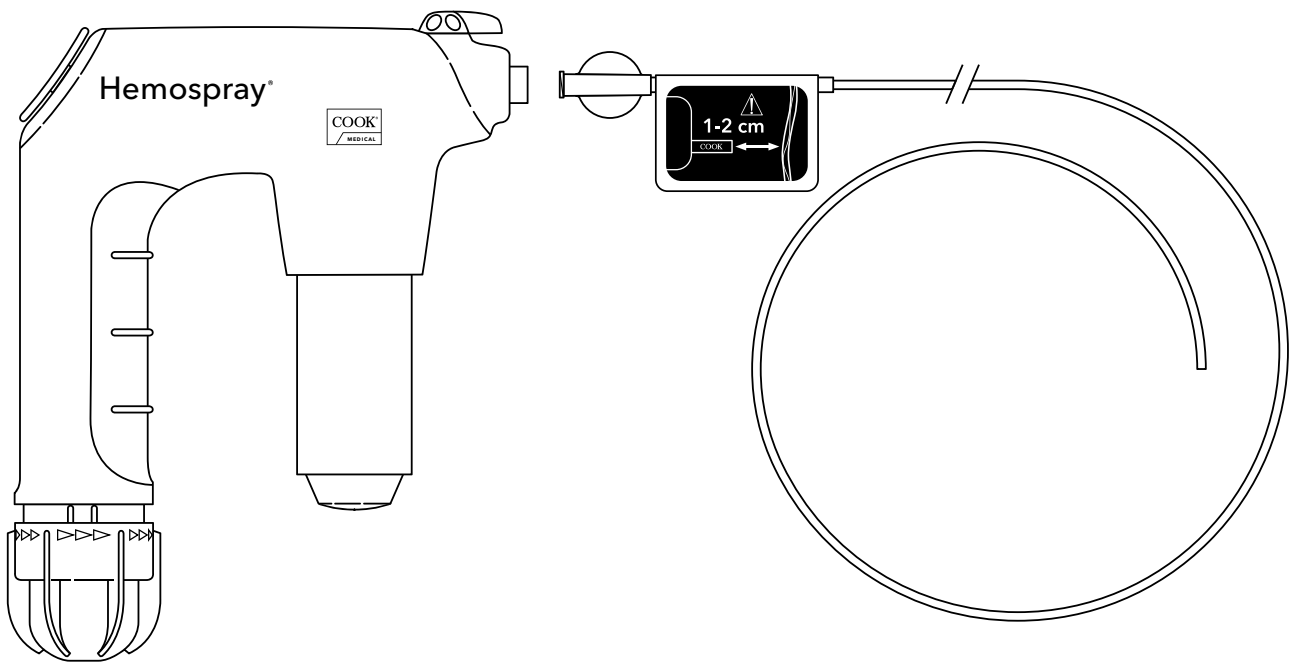
Spray	149
Clips	150
Ligation.....	151
Probes.....	154
Needles	155



Hemospray® Endoscopic Hemostat

HEMO-7, HEMO-10: Used for hemostasis of nonvariceal gastrointestinal bleeding.

HEMO-7-EU, HEMO-10-EU: Used for hemostasis of nonvariceal upper gastrointestinal bleeding.



Order Number	Reference Part Number	Catheter Size Fr	Catheter Length cm	Minimum Accessory Channel mm
G56572	HEMO-7*	7	220	2.8
G21049	HEMO-10*	10	220	3.7
G24663	HEMO-7-EU*	7	220	2.8
G21346	HEMO-10-EU*	10	220	3.7

Some products or part numbers may not be available in all markets. Contact your local Cook representative or Customer Service for details regarding: stock/non-stock status (expect longer lead time if non-stock), pricing and/or availability.

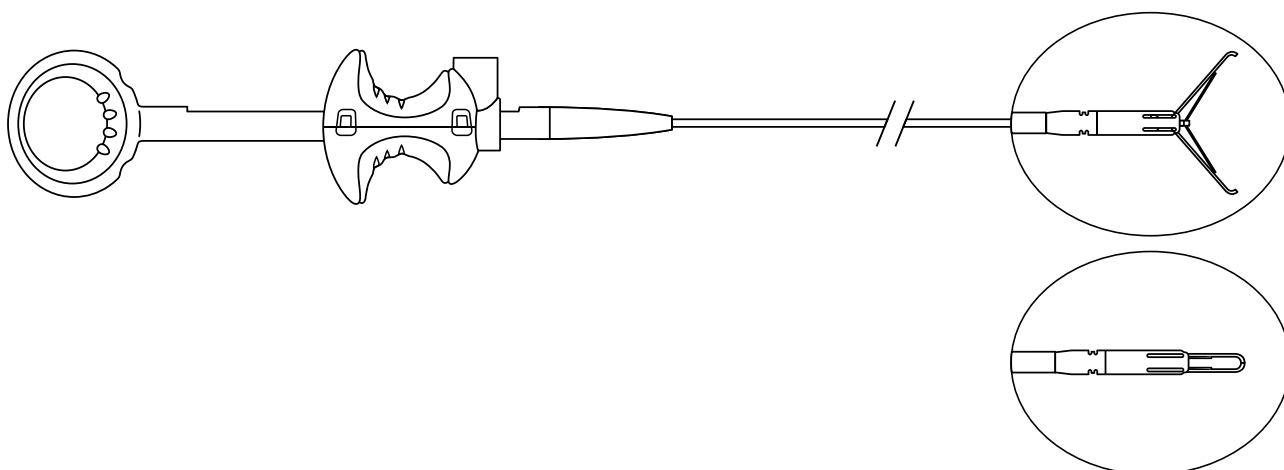
Device handle comes preassembled and each package contains an extra catheter. No additional materials required for usage.



**Check for availability.*



Instinct™ Endoscopic Hemoclip

This device is used for endoscopic clip placement within the gastrointestinal tract for the purpose of endoscopic marking, hemostasis for mucosal/submucosal defects less than 3 cm in the upper GI tract, bleeding ulcers, arteries less than 2 mm, and polyps less than 1.5 cm in diameter in the GI tract. This device is not intended for the repair of GI tract luminal perforations.



Order Number	Reference Part Number	Catheter Size Fr	Catheter Length cm	Box Quantity	MR Status	Minimum Accessory Channel mm
G18343	INSC-7-230-S	7	230	10		2.8
G18344	INSC-7-230-20-S	7	230	20		2.8

Some products or part numbers may not be available in all markets. Contact your local Cook representative or Customer Service for details regarding: stock/non-stock status (expect longer lead time if non-stock), pricing and/or availability.

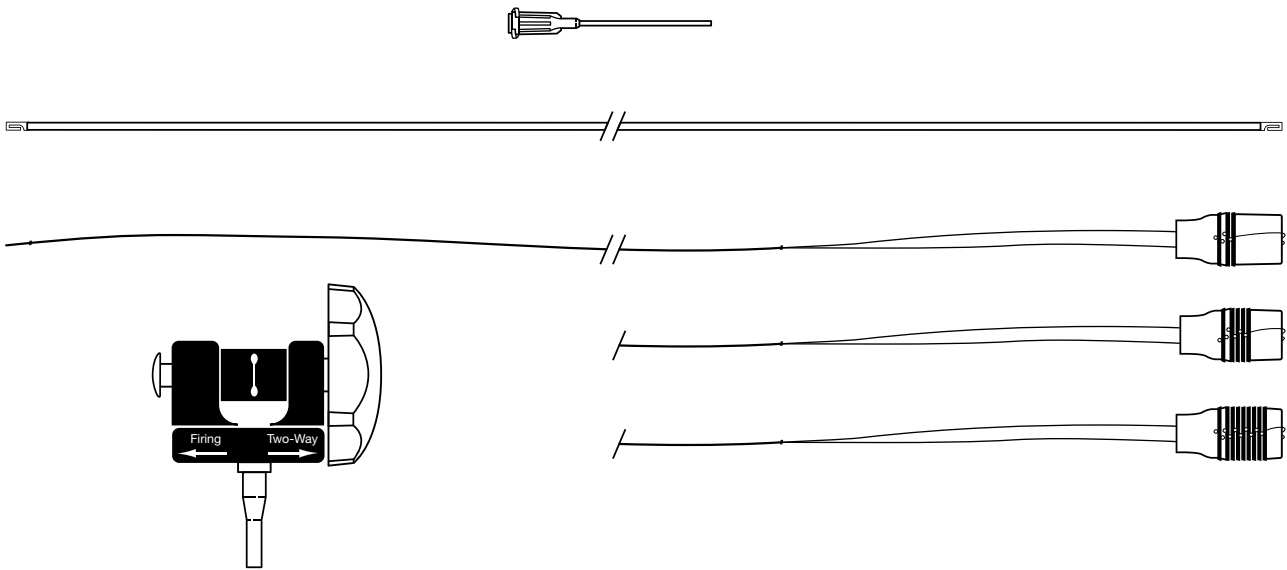
MR conditional up to 3 tesla.



6 Shooter® Universal Saeed Multi-Band Ligator

Used to endoscopically ligate esophageal varices at or above the gastroesophageal junction or to ligate internal hemorrhoids.

This device is supplied non-sterile and is disposable - intended for single use only.



Order Number	Reference Part Number	Endoscope Outer Diameter mm	Trigger Cord Length cm	Number of Bands	Minimum Accessory Channel mm
G31915	MBL-U-4	8.6-11.3	122	4	2.8
G31917	MBL-U-6	8.6-11.3	122	6	2.8
G31919	MBL-U-10	8.6-11.3	122	10	2.8
G31918	MBL-U-6-F	8.6-11.3	142	6	2.8

Some products or part numbers may not be available in all markets. Contact your local Cook representative or Customer Service for details regarding: stock/non-stock status (expect longer lead time if non-stock), pricing and/or availability.

Each kit includes Opti-Vu barrel with ligation bands and trigger cord, loading catheter, precision control handle and irrigation adapter.

Note: -F options are for use with Fuji endoscopes.

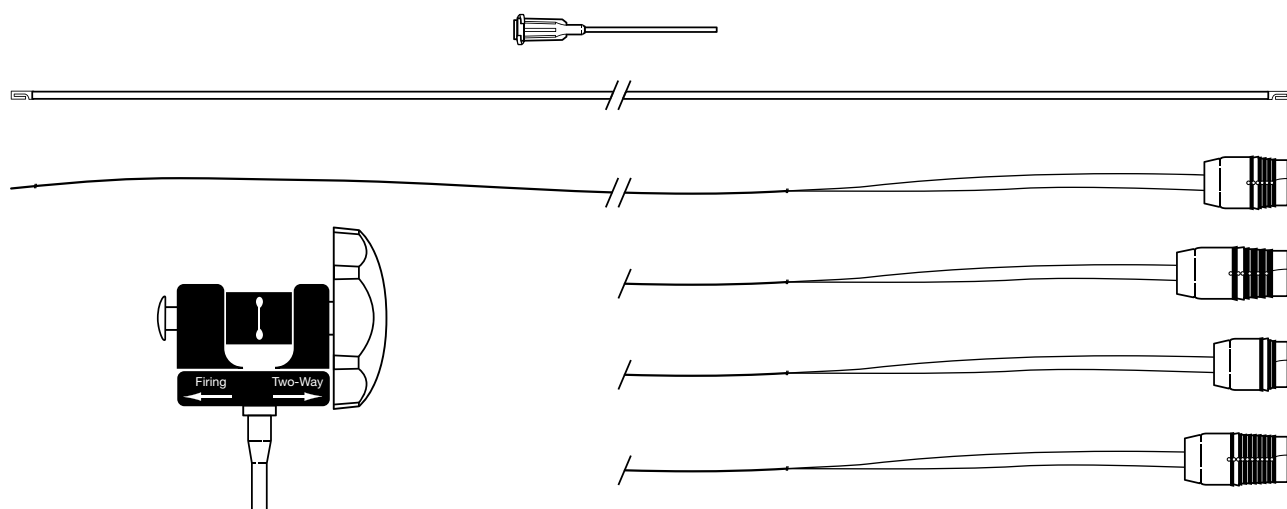
Caution: This product contains natural rubber latex, which may cause allergic reactions.



6 Shooter® Saeed Multi-Band Ligator

Used to endoscopically ligate esophageal varices at or above the gastroesophageal junction or to ligate internal hemorrhoids.

This device is supplied non-sterile and is disposable - intended for single use only.



Order Number	Reference Part Number	Endoscope Outer Diameter mm	Trigger Cord Length cm	Number of Bands	Minimum Accessory Channel mm
G24654	MBL-6-OV	9.5-11.5	122	6	2.8
G22613	MBL-4	9.5-13	122	4	2.8
G22553	MBL-6	9.5-13	122	6	2.8
G22614	MBL-10	9.5-11.5	122	10	2.8
G25424	MBL-6-XS	8.6-9.2	122	6	2.8
G25119	MBL-6-XL	11-14	122	6	2.8
G25221	MBL-6-XL-C	11-14	190	6	2.8
G22692	MBL-6-F	9.5-13	142	6	2.8

Some products or part numbers may not be available in all markets. Contact your local Cook representative or Customer Service for details regarding: stock/non-stock status (expect longer lead time if non-stock), pricing and/or availability.

Each kit includes barrel with ligation bands and trigger cord, loading catheter, precision control handle and irrigation adapter.

Note: -F options are for use with Fuji endoscopes. -C options are for use with colonoscopes.

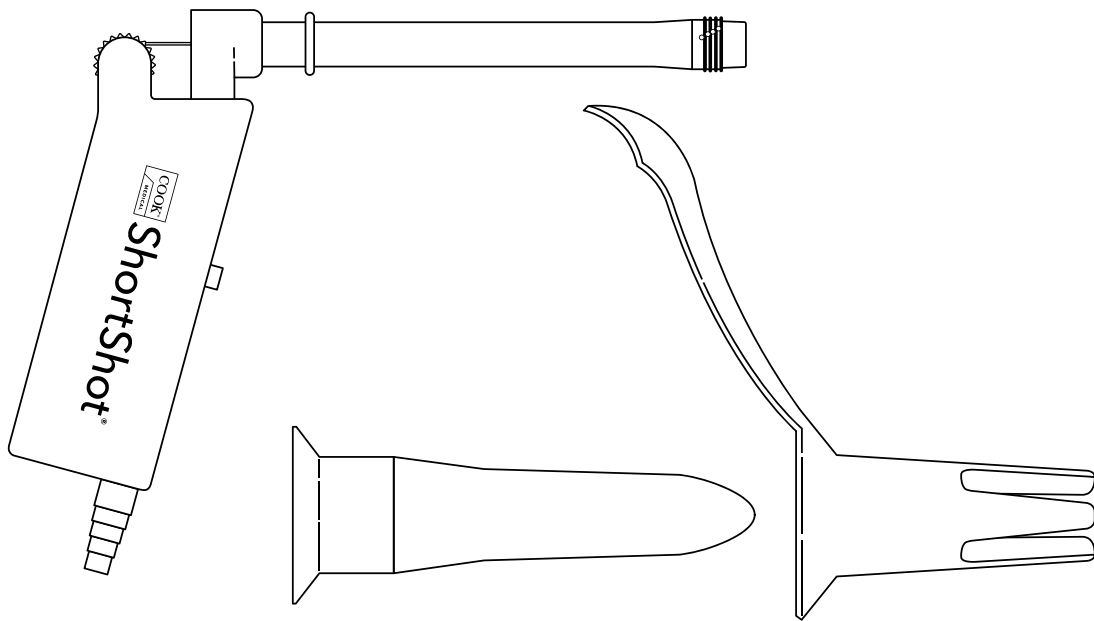
Caution: This product contains natural rubber latex, which may cause allergic reactions.



ShortShot® Saeed Hemorrhoidal Multi-Band Ligator with TriView® Anoscope

Used to ligate internal hemorrhoids, facilitated by an anoscope, for use in adult patients only.

This device is supplied non-sterile and is disposable - intended for single use only.



Order Number	Reference Part Number	Body Diameter inch	Body Diameter mm	Body Length inch	Body Length cm	Number of Bands
G34063	HMBL-4-TRI	.6	15	5	12.7	4

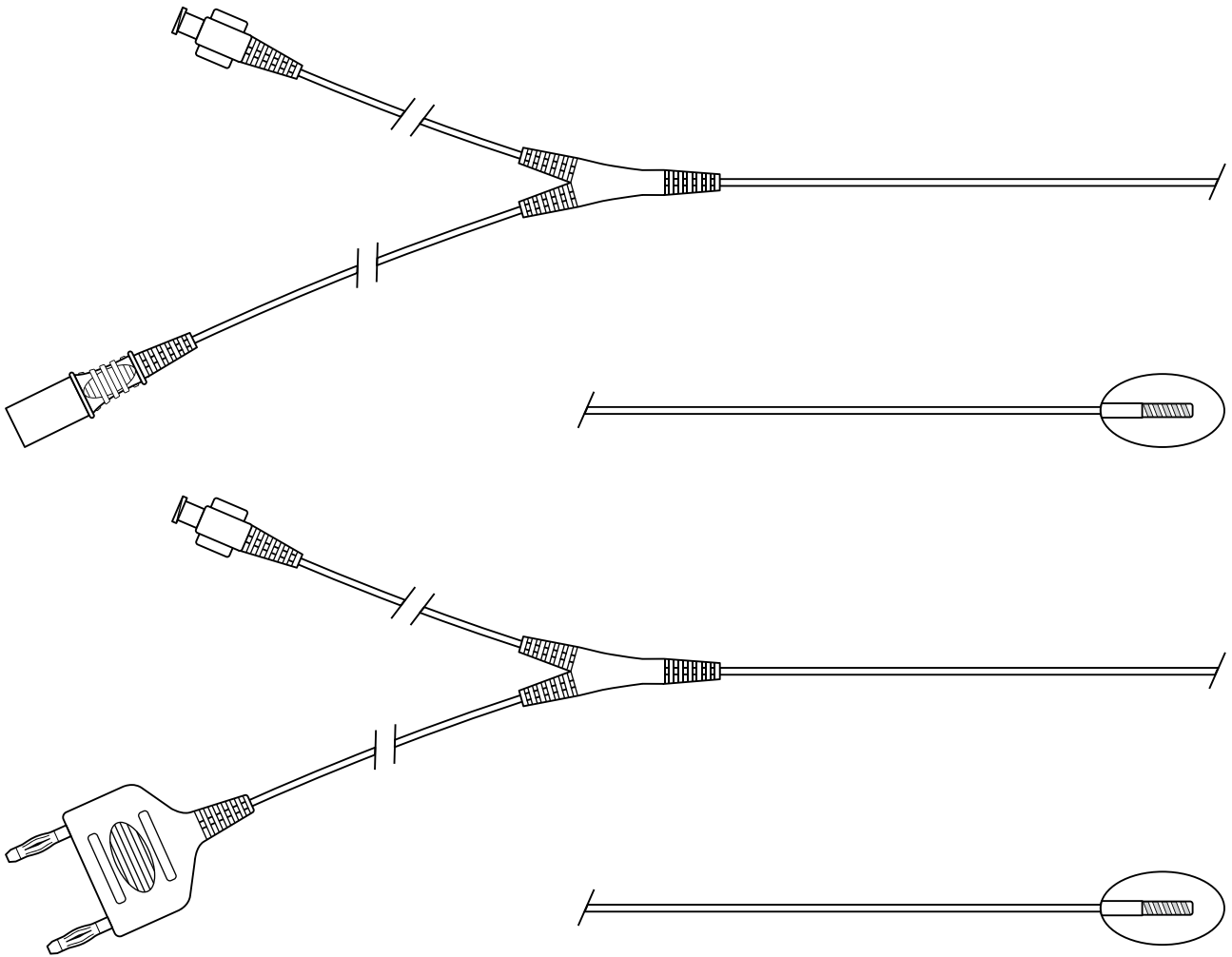
Some products or part numbers may not be available in all markets. Contact your local Cook representative or Customer Service for details regarding: stock/non-stock status (expect longer lead time if non-stock), pricing and/or availability.

Caution: *This product contains natural rubber latex, which may cause allergic reactions.*



Quicksilver® BiPolar Probe

Used by passing through an endoscope's working channel to provide hemostasis throughout the gastrointestinal tract.



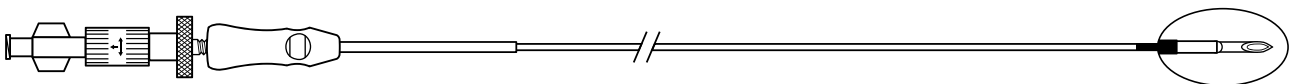
Order Number	Reference Part Number	Catheter Size Fr	Catheter Length cm	Generator Plug Type	Minimum Accessory Channel mm
G57186	BCP-7AX	7	350	dual	2.8
G57187	BCP-7BX	7	350	single	2.8
G57188	BCP-10AX	10	350	dual	3.7
G57189	BCP-10BX	10	350	single	3.7

Some products or part numbers may not be available in all markets. Contact your local Cook representative or Customer Service for details regarding: stock/non-stock status (expect longer lead time if non-stock), pricing and/or availability.



AcuJect® Variable Injection Needle

Used for endoscopic injection into gastrointestinal mucosa.



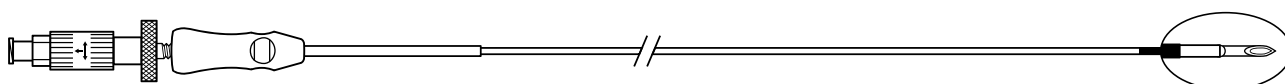
Order Number	Reference Part Number	Needle gauge	Needle Tip Extension mm	Catheter Size Fr	Catheter Length cm	Minimum Accessory Channel mm
G22525	VIN-23	23	4	7	220	2.8
G22526	VIN-25	25	4	7	220	2.8

Some products or part numbers may not be available in all markets. Contact your local Cook representative or Customer Service for details regarding: stock/non-stock status (expect longer lead time if non-stock), pricing and/or availability.



Disposable Varices Injector

Used for endoscopic injection into gastrointestinal mucosa.



Order Number	Reference Part Number	Needle gauge	Needle Tip Extension mm	Catheter Size Fr	Catheter Length cm	Type of Handle	Accessory Introducer Included	Minimum Accessory Channel mm
G22992	LDVI-23-MH	23	4	7	200	luer slip with metal hub	n/a	2.8
G22722	LDVI-23E	23	4	7	320	luer slip	n/a	2.8
G22723	LDVI-25E	25	4	7	320	luer slip	n/a	2.8
G22994	LDVI-25-MH	25	4	7	200	luer slip with metal hub	n/a	2.8
G21866	LDVI-23-240	23	4	7	240	luer slip	n/a	2.8
G21649	LDVI-25-240	25	4	7	240	luer slip	n/a	2.8
G25148	DVI-23-MH	23	4	5	200	luer slip with metal hub	yes	2
G21824	DVI-23	23	4	5	200	luer slip	yes	2
G21825	DVI-25	25	4	5	200	luer slip	yes	2

Some products or part numbers may not be available in all markets. Contact your local Cook representative or Customer Service for details regarding: stock/non-stock status (expect longer lead time if non-stock), pricing and/or availability.

Esophageal/Gastric/Colonic



Esophageal/Gastric/Colonic

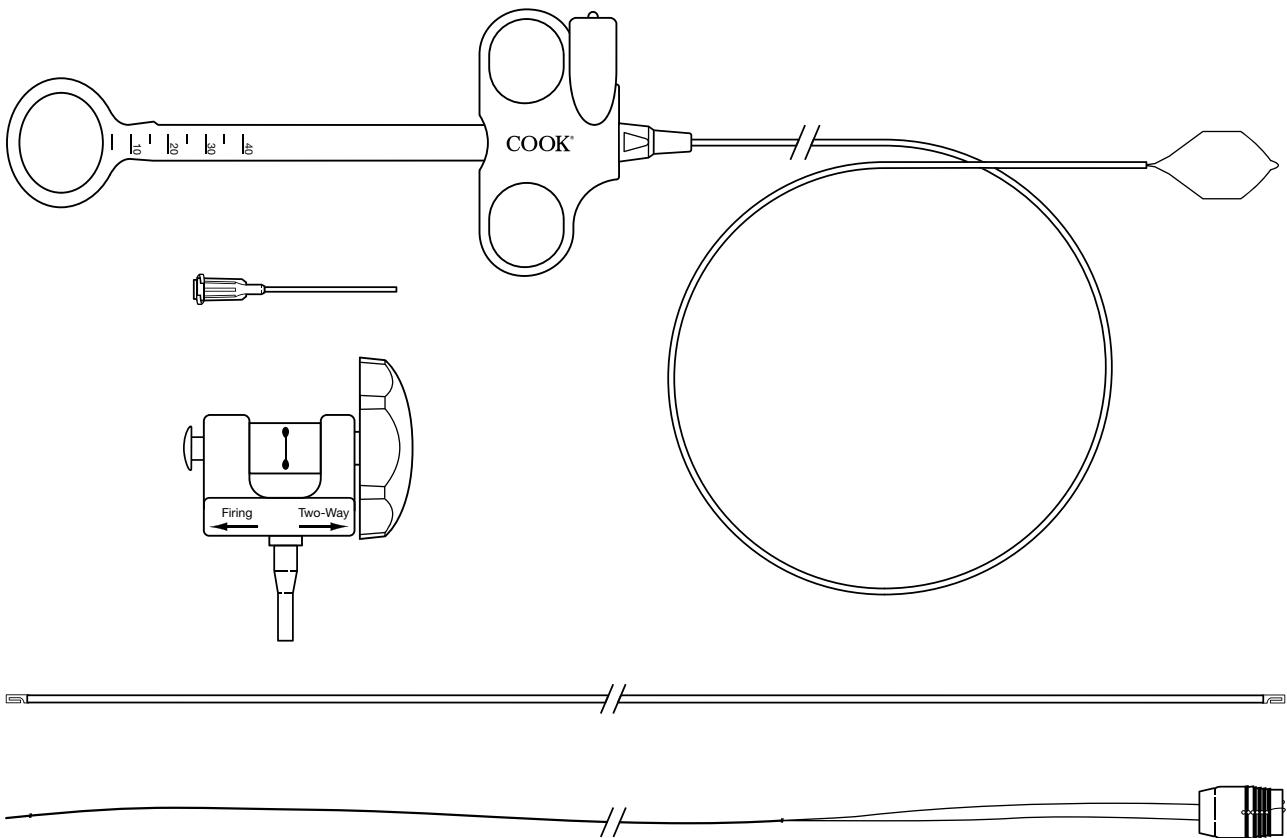
Esophageal/Gastric/Colonic

EMR	157
Forceps	158
Snares	165
Dilation	170
Cytology	183
Decompression	184
Metal Stents	186
Spray Catheter	191



Duette® Multi-Band Mucosectomy

Used for endoscopic mucosal resection in the upper GI tract.



Order Number	Reference Part Number	Endoscope Outer Diameter mm	Sheath Size Fr	Snare Size cm	Number of Bands	Minimum Accessory Channel mm
G35129	DT-6-5F	9.5-13	5	1.5 x 2.5	6	2.8
G34036	DT-6	9.5-13	7	1.5 x 2.5	6	3.7
G34054	DT-6-XL	11-14	7	1.5 x 2.5	6	3.7

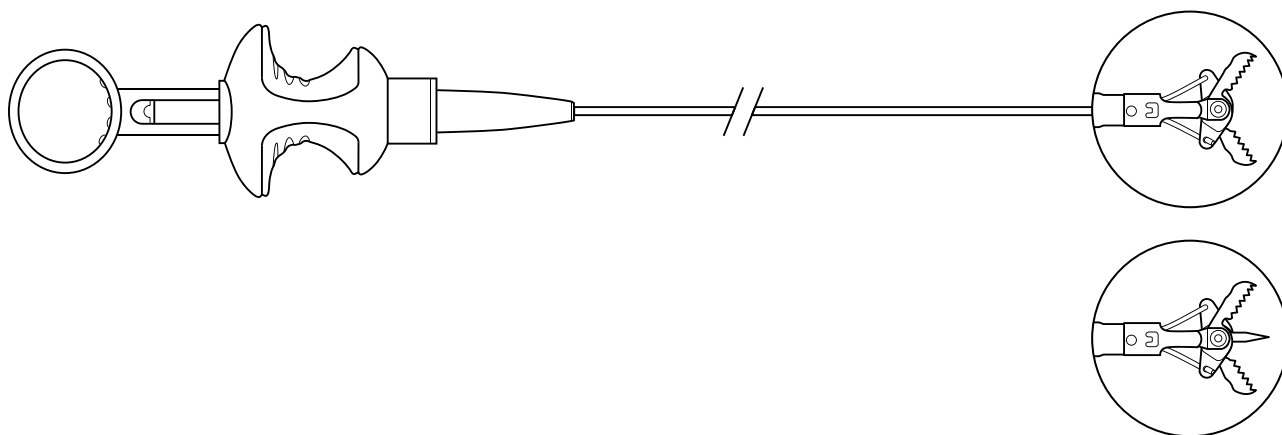
Some products or part numbers may not be available in all markets. Contact your local Cook representative or Customer Service for details regarding: stock/non-stock status (expect longer lead time if non-stock), pricing and/or availability.

Caution: This product contains natural rubber latex, which may cause allergic reactions.



Captura® Pro™ Biopsy Forceps

Used to obtain endoscopic mucosal tissue biopsies and/or for foreign body retrieval.



Order Number	Reference Part Number	Cup Diameter mm	Shaft Length cm	Forceps Type	Cup Edge	Box Quantity	Scope Type	Minimum Accessory Channel mm	Color Code
Standard Forceps									
G47687	BF-2.2S-160-20	2.2	160	non-spiked	serrated	20	gastroscope	2.8	green
G47688	BF-2.2S-160-40	2.2	160	non-spiked	serrated	40	gastroscope	2.8	green
G47686	BF-2.2S-160SP-20	2.2	160	spiked	serrated	20	gastroscope	2.8	green
G47689	BF-2.2S-160SP-40	2.2	160	spiked	serrated	40	gastroscope	2.8	green
G47690	BF-2.2S-230-20	2.2	230	non-spiked	serrated	20	colonoscope	2.8	red
G47691	BF-2.2S-230-40	2.2	230	non-spiked	serrated	40	colonoscope	2.8	red
G47692	BF-2.2S-230SP-20	2.2	230	spiked	serrated	20	colonoscope	2.8	red
G47693	BF-2.2S-230SP-40	2.2	230	spiked	serrated	40	colonoscope	2.8	red
Large Forceps									
G47694	BF-2.4SL-160-20	2.4	160	non-spiked	serrated	20	gastroscope	2.8	green
G47695	BF-2.4SL-160-40	2.4	160	non-spiked	serrated	40	gastroscope	2.8	green
G47696	BF-2.4SL-160SP-20	2.4	160	spiked	serrated	20	gastroscope	2.8	green
G47697	BF-2.4SL-160SP-40	2.4	160	spiked	serrated	40	gastroscope	2.8	green
G47698	BF-2.4SL-230-20	2.4	230	non-spiked	serrated	20	colonoscope	2.8	red
G47699	BF-2.4SL-230-40	2.4	230	non-spiked	serrated	40	colonoscope	2.8	red

Some products or part numbers may not be available in all markets. Contact your local Cook representative or Customer Service for details regarding: stock/non-stock status (expect longer lead time if non-stock), pricing and/or availability.

All forceps are fenestrated.

Continued on page 159

Captura® Pro™ Biopsy Forceps

Continued from page 158

Order Number	Reference Part Number	Cup Diameter mm	Shaft Length cm	Forceps Type	Cup Edge	Box Quantity	Scope Type	Minimum Accessory Channel mm	Color Code
Large Forceps, continued									
G50696	BF-2.4SL-230SP-20	2.4	230	spiked	serrated	20	colonoscope	2.8	red
G50697	BF-2.4SL-230SP-40	2.4	230	spiked	serrated	40	colonoscope	2.8	red
Jumbo Forceps									
G56992	BF-2.8SJ-160-20	2.8	160	non-spiked	serrated	20	gastroscope	3.2	green
G56993	BF-2.8SJ-160-40	2.8	160	non-spiked	serrated	40	gastroscope	3.2	green
G56994	BF-2.8SJ-160SP-20	2.8	160	spiked	serrated	20	gastroscope	3.2	green
G56995	BF-2.8SJ-160SP-40	2.8	160	spiked	serrated	40	gastroscope	3.2	green
G56996	BF-2.8SJ-230-20	2.8	230	non-spiked	serrated	20	colonoscope	3.2	red
G56997	BF-2.8SJ-230-40S	2.8	230	non-spiked	serrated	40	colonoscope	3.2	red
G56998	BF-2.8SJ-230SP-20	2.8	230	spiked	serrated	20	colonoscope	3.2	red
G56999	BF-2.8SJ-230SP-40	2.8	230	spiked	serrated	40	colonoscope	3.2	red
Max Forceps									
G57000	BF-3.3SM-230-20	3.3	230	non-spiked	serrated	20	colonoscope	3.8	red
G57001	BF-3.3SM-230-40	3.3	230	non-spiked	serrated	40	colonoscope	3.8	red
G57002	BF-3.3SM-230SP-20	3.3	230	spiked	serrated	20	colonoscope	3.8	red
G57003	BF-3.3SM-230SP-40	3.3	230	spiked	serrated	40	colonoscope	3.8	red

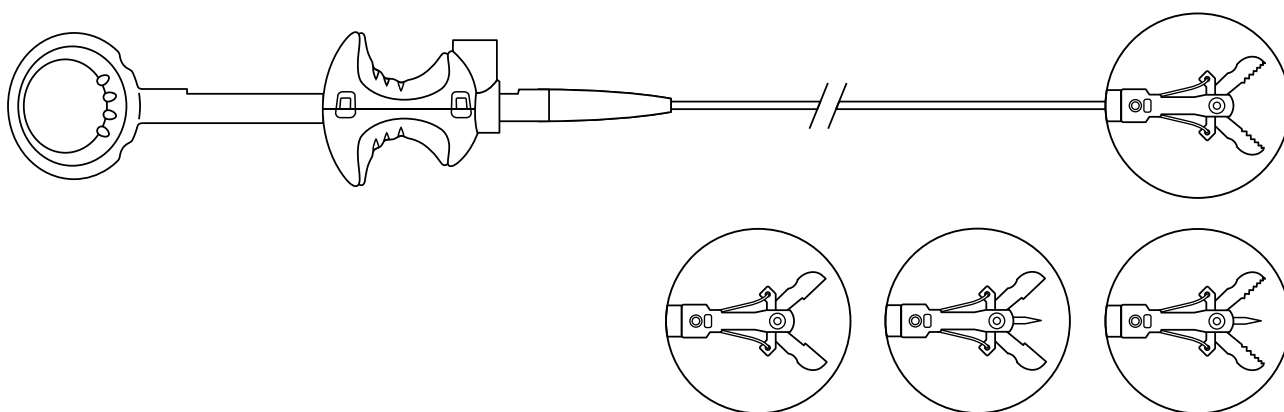
Some products or part numbers may not be available in all markets. Contact your local Cook representative or Customer Service for details regarding: stock/non-stock status (expect longer lead time if non-stock), pricing and/or availability.

All forceps are fenestrated.



Captura® Biopsy Forceps

Used to obtain endoscopic mucosal tissue biopsies and/or for foreign body retrieval.



Order Number	Reference Part Number	Cup Diameter mm	Shaft Length cm	Forceps Type	Cup Edge	Box Quantity	Scope Type	Minimum Accessory Channel mm	Color Code
Mini Forceps									
G53006	DBF-1.8-160-S	1.8	160	non-spiked	surgical	10	gastroscope	2.0	green
Standard Forceps									
G31577	DBF-2.4-160-S	2.4	160	non-spiked	surgical	10	gastroscope	2.8	green
G56061	DBF-2.4-160-20-S	2.4	160	non-spiked	surgical	20	gastroscope	2.8	green
G31580	DBF-2.4-160SP-S	2.4	160	spiked	surgical	10	gastroscope	2.8	green
G56071	DBF-2.4-160SP-20-S	2.4	160	spiked	surgical	20	gastroscope	2.8	green
G31576	DBF-2.4-230-S	2.4	230	non-spiked	surgical	10	colonoscope	2.8	red
G56065	DBF-2.4-230-20-S	2.4	230	non-spiked	surgical	20	colonoscope	2.8	red
G31585	DBF-2.4-230SP-S	2.4	230	spiked	surgical	10	colonoscope	2.8	red
G56074	DBF-2.4-230SP-20-S	2.4	230	spiked	surgical	20	colonoscope	2.8	red
G56122	DBF-2.4SN-160-S	2.4	160	non-spiked	serrated	10	gastroscope	2.8	green
G56123	DBF-2.4SN-160-20-S	2.4	160	non-spiked	serrated	20	gastroscope	2.8	green
G56124	DBF-2.4SN-160-40-S	2.4	160	non-spiked	serrated	40	gastroscope	2.8	green
G56128	DBF-2.4SN-160SP-S	2.4	160	spiked	serrated	10	gastroscope	2.8	green
G56129	DBF-2.4SN-160SP-20-S	2.4	160	spiked	serrated	20	gastroscope	2.8	green

Some products or part numbers may not be available in all markets. Contact your local Cook representative or Customer Service for details regarding: stock/non-stock status (expect longer lead time if non-stock), pricing and/or availability.
All forceps are fenestrated.

Continued on page 161

Captura® Biopsy Forceps

Continued from page 160

Order Number	Reference Part Number	Cup Diameter mm	Shaft Length cm	Forceps Type	Cup Edge	Box Quantity	Scope Type	Minimum Accessory Channel mm	Color Code
Standard Forceps, continued									
G56130	DBF-2.4SN-160SP-40-S	2.4	160	spiked	serrated	40	gastroscope	2.8	green
G56125	DBF-2.4SN-230-S	2.4	230	non-spiked	serrated	10	colonoscope	2.8	red
G56126	DBF-2.4SN-230-20-S	2.4	230	non-spiked	serrated	20	colonoscope	2.8	red
G56127	DBF-2.4SN-230-40-S	2.4	230	non-spiked	serrated	40	colonoscope	2.8	red
G56131	DBF-2.4SN-230SP-S	2.4	230	spiked	serrated	10	colonoscope	2.8	red
G56132	DBF-2.4SN-230SP-20-S	2.4	230	spiked	serrated	20	colonoscope	2.8	red
G56133	DBF-2.4SN-230SP-40-S	2.4	230	spiked	serrated	40	colonoscope	2.8	red
Large Forceps									
G53630	DBF-2.4SL-160-S	2.4	160	non-spiked	serrated	10	gastroscope	2.8	green
G56057	DBF-2.4SL-160-20-S	2.4	160	non-spiked	serrated	20	gastroscope	2.8	green
G56056	DBF-2.4SL-160-40-S	2.4	160	non-spiked	serrated	40	gastroscope	2.8	green
G53638	DBF-2.4SL-160SP-S	2.4	160	spiked	serrated	10	gastroscope	2.8	green
G56070	DBF-2.4SL-160SP-20-S	2.4	160	spiked	serrated	20	gastroscope	2.8	green
G56073	DBF-2.4SL-160SP-40-S	2.4	160	spiked	serrated	40	gastroscope	2.8	green
G53633	DBF-2.4SL-230-S	2.4	230	non-spiked	serrated	10	colonoscope	2.8	red
G56052	DBF-2.4SL-230-20-S	2.4	230	non-spiked	serrated	20	colonoscope	2.8	red
G56059	DBF-2.4SL-230-40-S	2.4	230	non-spiked	serrated	40	colonoscope	2.8	red
G53641	DBF-2.4SL-230SP-S	2.4	230	spiked	serrated	10	colonoscope	2.8	red
G56087	DBF-2.4SL-230SP-20-S	2.4	230	spiked	serrated	20	colonoscope	2.8	red
G56076	DBF-2.4SL-230SP-40-S	2.4	230	spiked	serrated	40	colonoscope	2.8	red
Jumbo Forceps									
G53628	DBF-2.8SJ-160-S	2.8	160	non-spiked	serrated	10	gastroscope	3.2	green
G53650	DBF-2.8SJ-160SP-S	2.8	160	spiked	serrated	10	gastroscope	3.2	green
G53642	DBF-2.8SJ-230-S	2.8	230	non-spiked	serrated	10	colonoscope	3.2	red
G53042	DBF-2.8SJ-230SP-S	2.8	230	spiked	serrated	10	colonoscope	3.2	red
G56721	DBF-2.8SJN-230-20-S	2.8	230	non-spiked	serrated	20	colonoscope	3.2	red
G56722	DBF-2.8SJN-230-40-S	2.8	230	non-spiked	serrated	40	colonoscope	3.2	red
G56723	DBF-2.8SJN-230SP-20-S	2.8	230	spiked	serrated	20	colonoscope	3.2	red
G56724	DBF-2.8SJN-230SP-40-S	2.8	230	spiked	serrated	40	colonoscope	3.2	red
Max Forceps									
G54166	DBF-3.3SM-160-S	3.3	160	non-spiked	serrated	10	gastroscope	3.8	green
G56054	DBF-3.3SM-160-20-S	3.3	160	non-spiked	serrated	20	gastroscope	3.8	green
G54168	DBF-3.3SM-160SP-S	3.3	160	spiked	serrated	10	gastroscope	3.8	green
G56053	DBF-3.3SM-160SP-20-S	3.3	160	spiked	serrated	20	gastroscope	3.8	green

Some products or part numbers may not be available in all markets. Contact your local Cook representative or Customer Service for details regarding: stock/non-stock status (expect longer lead time if non-stock), pricing and/or availability.

All forceps are fenestrated.

Continued on page 162

Captura® Biopsy Forceps

Continued from page 161

Order Number	Reference Part Number	Cup Diameter mm	Shaft Length cm	Forceps Type	Cup Edge	Box Quantity	Scope Type	Minimum Accessory Channel mm	Color Code
Max Forceps, continued									
G54167	DBF-3.3SM-230-S	3.3	230	non-spiked	serrated	10	colonoscope	3.8	red
G56058	DBF-3.3SM-230-20-S	3.3	230	non-spiked	serrated	20	colonoscope	3.8	red
G54170	DBF-3.3SM-230SP-S	3.3	230	spiked	serrated	10	colonoscope	3.8	red
G56055	DBF-3.3SM-230SP-20-S	3.3	230	spiked	serrated	20	colonoscope	3.8	red
G56060	DBF-3.3SM-230SP-40-S	3.3	230	spiked	serrated	40	colonoscope	3.8	red

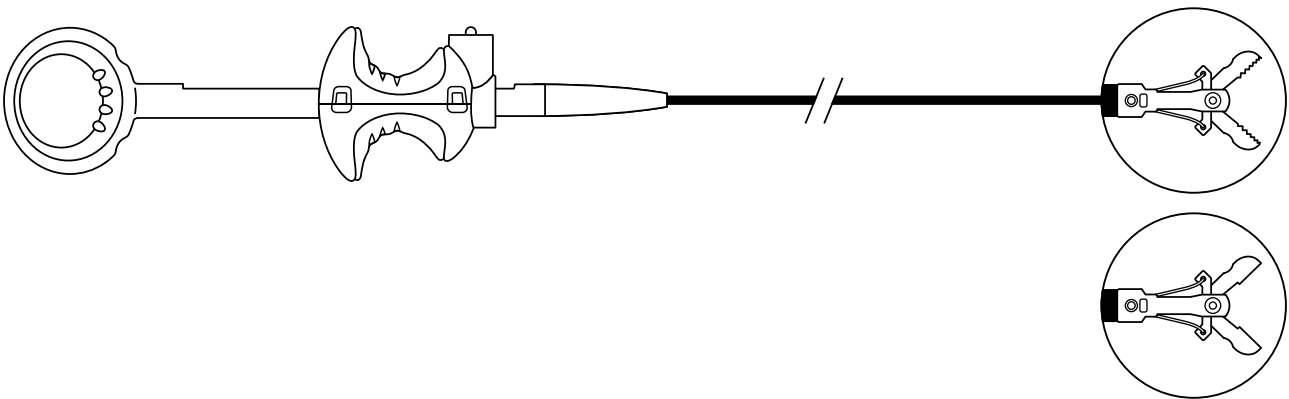
Some products or part numbers may not be available in all markets. Contact your local Cook representative or Customer Service for details regarding: stock/non-stock status (expect longer lead time if non-stock), pricing and/or availability.

All forceps are fenestrated.



Captura® Disposable Hot Biopsy Forceps

Used endoscopically in conjunction with monopolar electrosurgical current to obtain gastrointestinal mucosal tissue biopsies and for removal of sessile polyps.



Order Number	Reference Part Number	Cup Diameter mm	Shaft Length cm	Forceps Type	Cup Edge	Box Quantity	Scope Type	Minimum Accessory Channel mm	Color Code
G31583	HDBF-2.4-230-S	2.4	230	non-spiked	surgical	5	colonoscope	2.8	red
G56135	HDBF-2.4SN-230-S	2.4	230	non-spiked	serrated	5	colonoscope	2.8	red

Some products or part numbers may not be available in all markets. Contact your local Cook representative or Customer Service for details regarding: stock/non-stock status (expect longer lead time if non-stock), pricing and/or availability.

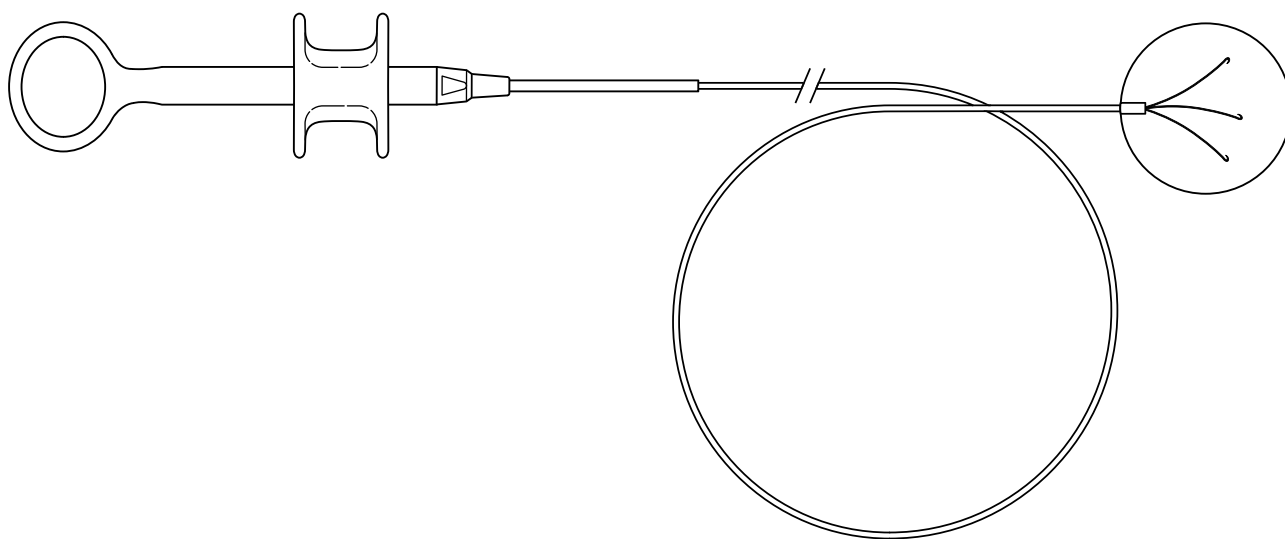
Active cord (page 214) sold separately.

All forceps are fenestrated.



Caesar® Grasping Forceps

Used for foreign body retrieval.



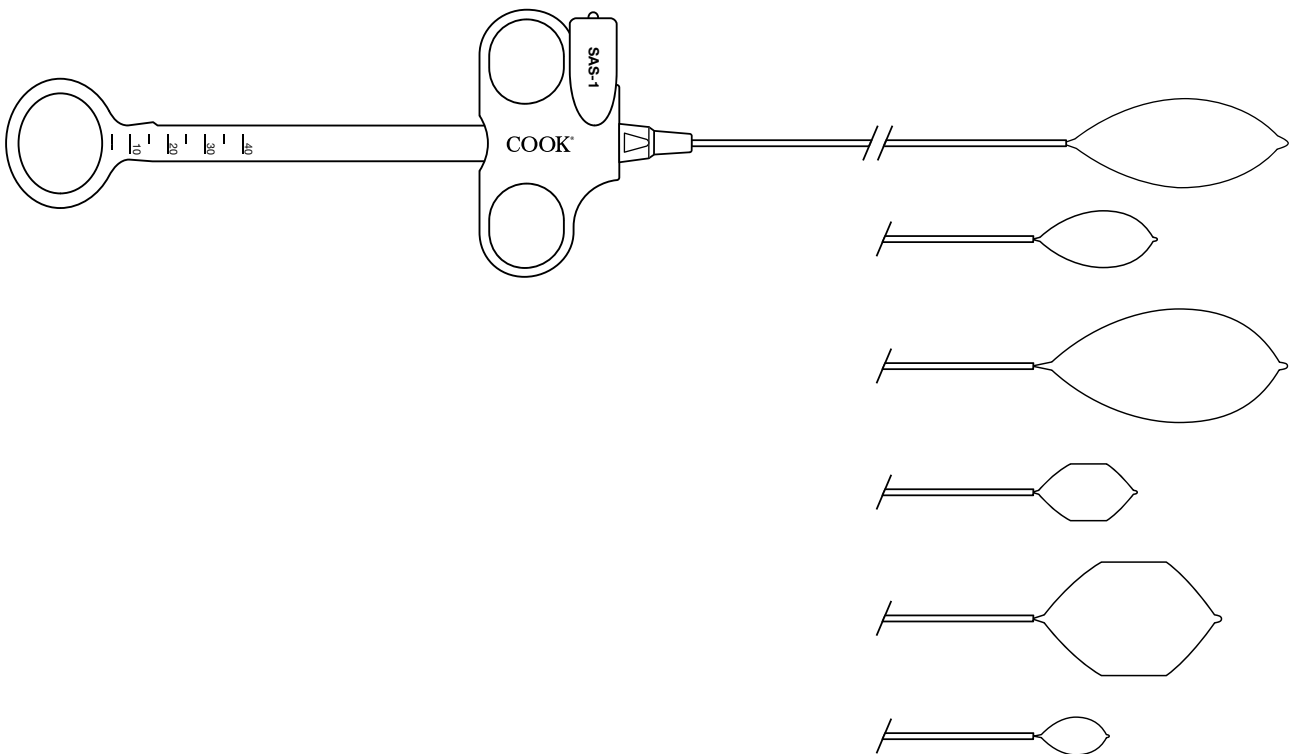
Order Number	Reference Part Number	Sheath Size Fr	Shaft Length cm	Forceps Type	Scope Type	Minimum Accessory Channel mm	Color Code
G25080	CGF-1-240	5.5	240	3 prong	colonoscope	2	red

Some products or part numbers may not be available in all markets. Contact your local Cook representative or Customer Service for details regarding: stock/non-stock status (expect longer lead time if non-stock), pricing and/or availability.



AcuSnare® Polypectomy Device

Used with an electrocautery unit for endoscopic polypectomy.



Order Number	Reference Part Number	Sheath Size Fr	Sheath Length cm	Snare Size cm	Snare Type	Box Quantity	Minimum Accessory Channel mm
AcuSnare							
G22631	ASM-1-S	7	240	1.5 x 3	mini oval	10	2.8
G22629	AS-1-S	7	240	2.5 x 5.5	standard oval	10	2.8
G22630	ASJ-1-S	7	240	3 x 6	jumbo oval	10	2.8
G22701	ASMH-1-S	7	240	1.5 x 2.5	mini hexagonal	10	2.8
G22700	ASH-1-S	7	240	3 x 4.5	hexagonal	10	2.8

Some products or part numbers may not be available in all markets. Contact your local Cook representative or Customer Service for details regarding: stock/non-stock status (expect longer lead time if non-stock), pricing and/or availability.

Active cord (page 214) available separately.

Continued on page 166

AcuSnare® Polypectomy Device

Continued from page 165

Order Number	Reference Part Number	Sheath Size Fr	Sheath Length cm	Snare Size cm	Snare Type	Box Quantity	Minimum Accessory Channel mm
Soft AcuSnare							
G22704	SASMM-1-S	7	240	1 x 1.5	micro mini oval	10	2.8
G22633	SASM-1-S	7	240	1.5 x 3	mini oval	10	2.8
G22632	SAS-1-S	7	240	2.5 x 5.5	standard oval	10	2.8
G22634	SASJ-1-S	7	240	3 x 6	jumbo oval	10	2.8
G22703	SASMH-1-S	7	240	1.5 x 2.5	mini hexagonal	10	2.8
G22702	SASH-1-S	7	240	3 x 4.5	hexagonal	10	2.8

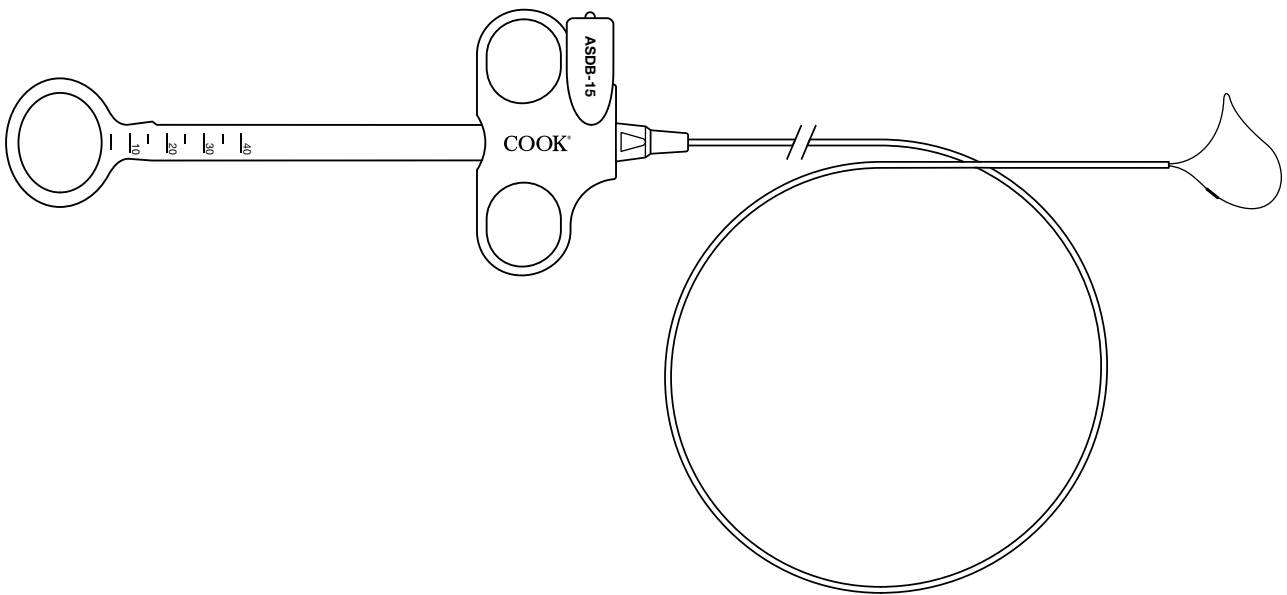
Some products or part numbers may not be available in all markets. Contact your local Cook representative or Customer Service for details regarding: stock/non-stock status (expect longer lead time if non-stock), pricing and/or availability.

Active cord (page 214) available separately.



AcuSnare® Polypectomy Device - Duck Bill

Used with an electrosurgical unit for endoscopic polypectomy.



Order Number	Reference Part Number	Sheath Size Fr	Sheath Length cm	Snare Size mm	Snare Type	Box Quantity	Minimum Accessory Channel mm
G22647	ASDB-15-015-S	7	240	15	duck bill	10	2.8
G22649	ASDB-25-015-S	7	240	25	duck bill	10	2.8

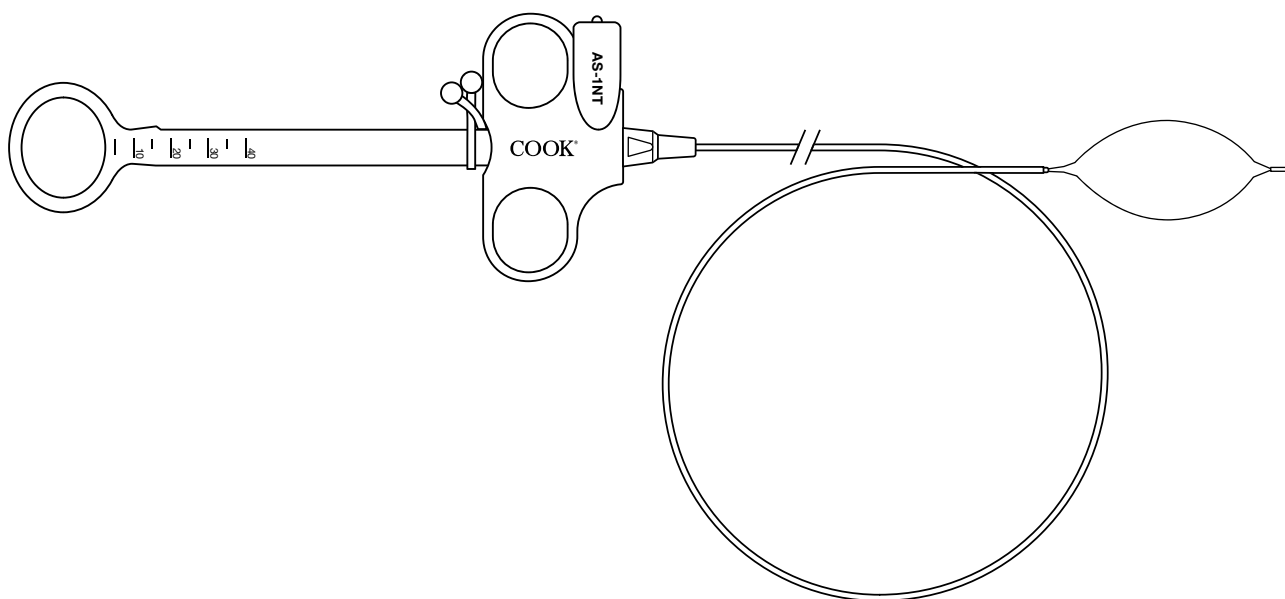
Some products or part numbers may not be available in all markets. Contact your local Cook representative or Customer Service for details regarding: stock/non-stock status (expect longer lead time if non-stock), pricing and/or availability.

Active cord (page 214) available separately.



AcuSnare® Polypectomy Device - Needle Tip

Used with an electrosurgical unit for endoscopic polypectomy.



Order Number	Reference Part Number	Sheath Size Fr	Sheath Length cm	Snare Size cm	Snare Type	Box Quantity	Minimum Accessory Channel mm
G22897	AS-1NT-S	7	240	2.5 x 5.5	needle tip	10	2.8

Some products or part numbers may not be available in all markets. Contact your local Cook representative or Customer Service for details regarding: stock/non-stock status (expect longer lead time if non-stock), pricing and/or availability.

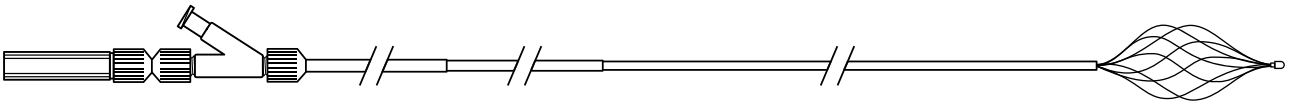
Active cord (page 214) available separately.



Memory Basket® Polyp Retriever

Used for endoscopic removal of polyps after polypectomy.

This device is supplied non-sterile.



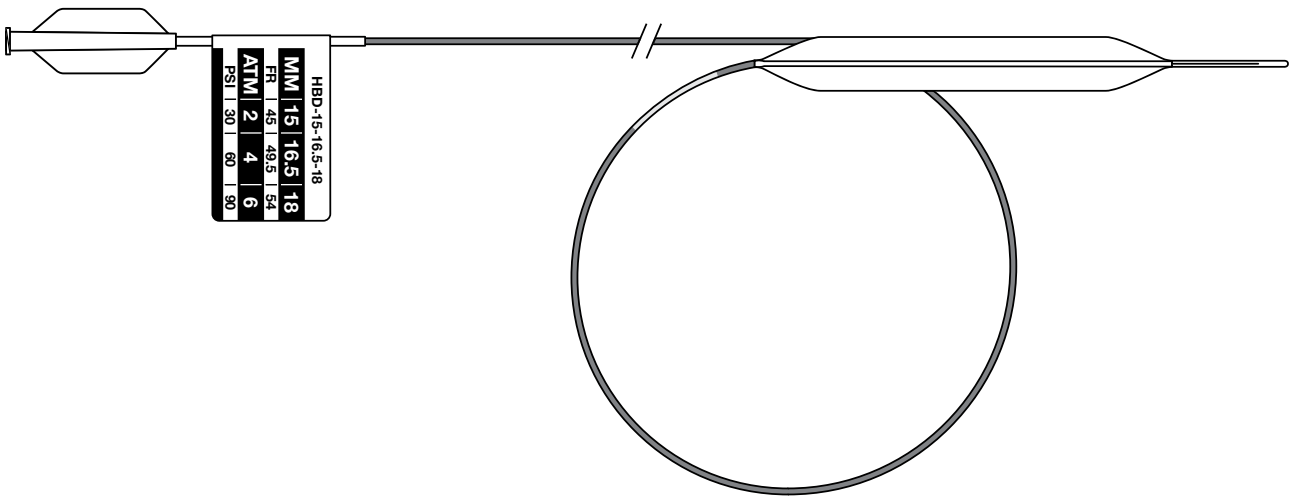
Order Number	Reference Part Number	Sheath Size Fr	Sheath Length cm	Basket Size cm	Handle Type	Minimum Accessory Channel mm
G21693	MPB-2X4-8	7	240	2 x 4	rotatable pin vise	2.8
G22106	MPB-3X6-8	7	240	3 x 6	rotatable pin vise	2.8

Some products or part numbers may not be available in all markets. Contact your local Cook representative or Customer Service for details regarding: stock/non-stock status (expect longer lead time if non-stock), pricing and/or availability.



Hercules® 3 Stage Balloon

Used to endoscopically dilate strictures of the esophagus.



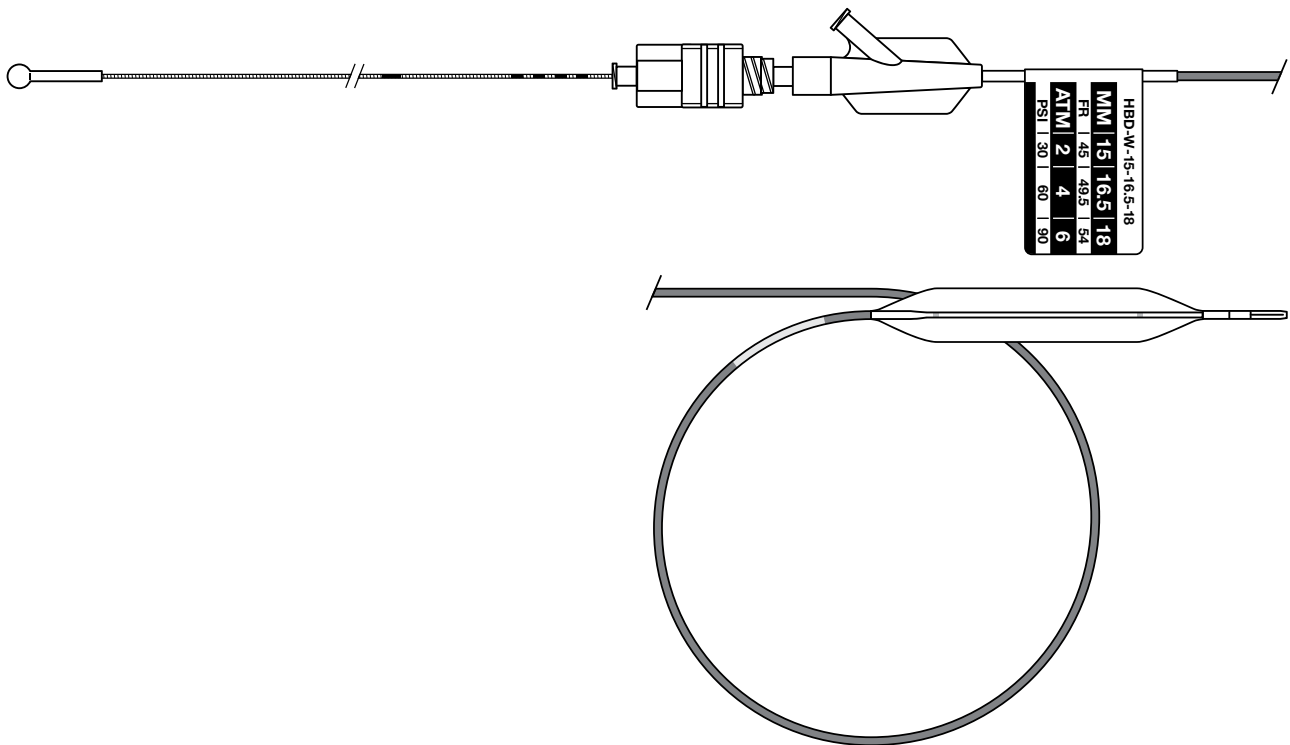
Order Number	Reference Part Number	Catheter Size Fr	Catheter Length cm	Balloon Diameter mm	Balloon Diameter Fr	Balloon Length cm	Pressure atm	Pressure psi	Minimum Accessory Channel mm
G31928	HBD-8-9-10	7	180	8-9-10	24-27-30	8	4-6-8	60-90-120	2.8
G31925	HBD-10-11-12	7	180	10-11-12	30-33-36	8	2-4-6	30-60-90	2.8
G31926	HBD-12-13.5-15	7	180	12-13.5-15	36-40.5-45	8	2-4-6	30-60-90	2.8
G48732	HBD-15-16.5-18	7	180	15-16.5-18	45-49.5-54	8	2-4-6	30-60-90	2.8
G31927	HBD-18-19-20	7	180	18-19-20	54-57-60	8	2-4-6	30-60-90	2.8

Some products or part numbers may not be available in all markets. Contact your local Cook representative or Customer Service for details regarding: stock/non-stock status (expect longer lead time if non-stock), pricing and/or availability.



Hercules® 3 Stage Wire Guided Balloon

Used to endoscopically dilate strictures of the gastrointestinal tract including the esophagus, pylorus, duodenum and colon.



Order Number	Reference Part Number	Catheter Size Fr	Catheter Length cm	Balloon Diameter mm	Balloon Diameter Fr	Balloon Length cm	Pressure atm	Pressure psi	Minimum Accessory Channel mm
G51799	HBD-W-8-9-10	8	240	8-9-10	24-27-30	5.5	4-6-8	60-90-120	2.8
G51795	HBD-W-10-11-12	8	240	10-11-12	30-33-36	5.5	2-4-6	30-60-90	2.8
G51796	HBD-W-12-13.5-15	8	240	12-13.5-15	36-40.5-45	5.5	2-4-6	30-60-90	2.8
G51797	HBD-W-15-16.5-18	8	240	15-16.5-18	45-49.5-54	5.5	2-4-6	30-60-90	2.8
G51798	HBD-W-18-19-20	8	240	18-19-20	54-57-60	5.5	2-4-6	30-60-90	2.8

Some products or part numbers may not be available in all markets. Contact your local Cook representative or Customer Service for details regarding: stock/non-stock status (expect longer lead time if non-stock), pricing and/or availability.

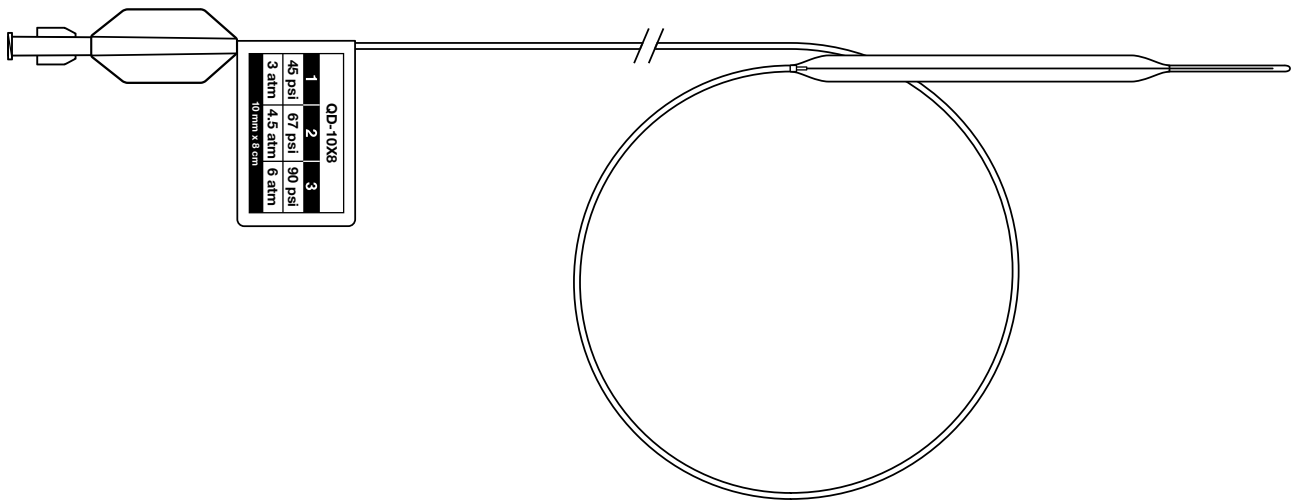
Wire guide length 300 cm.



Quantum TTC® Balloon Dilator

Used to dilate strictures of the gastrointestinal tract, including strictures of the esophagus, pylorus, duodenum and colon.

This device is supplied non-sterile and is disposable - intended for single use only.



Order Number	Reference Part Number	Catheter French Size Fr	Catheter Length cm	Balloon Diameter mm	Balloon Diameter Fr	Balloon Length cm	Pressure atm	Pressure psi	Minimum Accessory Channel mm
Esophageal									
G22307	QD-6X8*	6	195	6	18	8	8	120	2.8
G22308	QD-8X8	6	195	8	24	8	8	120	2.8
G22309	QD-10X8	6	195	10	30	8	6	90	2.8
G22310	QD-12X8	6	195	12	36	8	6	90	2.8
G22311	QD-14X8	6	195	14	42	8	4	60	2.8
G22312	QD-16X8	6	195	16	48	8	4	60	2.8
G22313	QD-18X8	6	195	18	54	8	3.5	50	2.8
G31511	QD-20X8	6	195	20	60	8	6	90	2.8
G22772	QD-14X8-E	6	320	14	42	8	4	60	2.8
G22773	QD-16X8-E	6	320	16	48	8	4	60	2.8
G22774	QD-18X8-E	6	320	18	54	8	3.5	50	2.8

Some products or part numbers may not be available in all markets. Contact your local Cook representative or Customer Service for details regarding: stock/non-stock status (expect longer lead time if non-stock), pricing and/or availability.

3-way stopcock included.

Continued on page 173

Quantum TTC® Balloon Dilator

Continued from page 172

Order Number	Reference Part Number	Catheter French Size Fr	Catheter Length cm	Balloon Diameter mm	Balloon Diameter Fr	Balloon Length cm	Pressure atm	Pressure psi	Minimum Accessory Channel mm
Colonic									
G22539	QDC-6X5.5*	6	240	6	18	5.5	8	120	2.8
G22540	QDC-8X5.5	6	240	8	24	5.5	8	120	2.8
G22541	QDC-10X5.5	6	240	10	30	5.5	6	90	2.8
G22542	QDC-12X5.5	6	240	12	36	5.5	6	90	2.8
G22543	QDC-14X5.5	6	240	14	42	5.5	4	60	2.8
G22544	QDC-16X5.5	6	240	16	48	5.5	4	60	2.8
G22545	QDC-18X5.5	6	240	18	54	5.5	3.5	50	2.8
G22997	QDC-20X5.5*	6	240	20	60	5.5	3.5	50	2.8

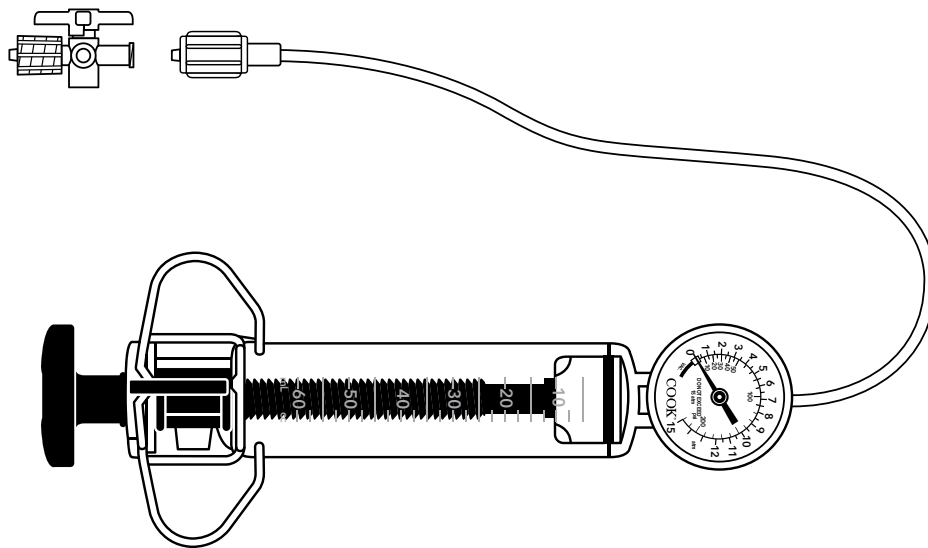
Some products or part numbers may not be available in all markets. Contact your local Cook representative or Customer Service for details regarding: stock/non-stock status (expect longer lead time if non-stock), pricing and/or availability.

3-way stopcock included.



Cook Sphere® Inflation Device

Used to inflate the balloon with fluid, to monitor the pressure in the balloon during the procedure, and to deflate the balloon after dilation.



Order Number	Reference Part Number	Fluid Capacity	Maximum Pressure atm
G34903	CID-60-15	60 cc	15

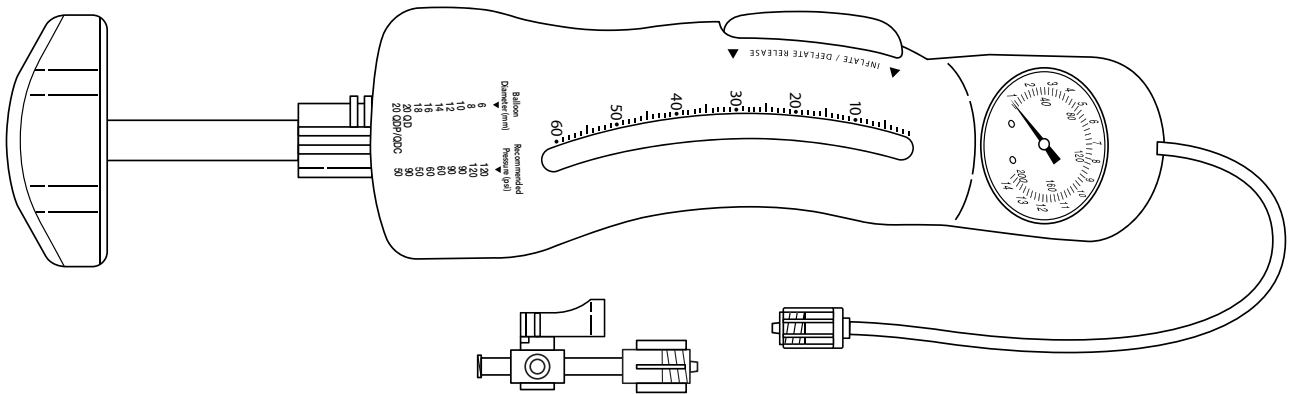
Some products or part numbers may not be available in all markets. Contact your local Cook representative or Customer Service for details regarding: stock/non-stock status (expect longer lead time if non-stock), pricing and/or availability.



Quantum™ Inflation Device

Used to inflate, deflate and monitor pressure of the Cook line of balloon dilators during GI balloon dilation.

This device is supplied non-sterile and is disposable - intended for single use only.



Order Number	Reference Part Number
G22349	QID-1

Some products or part numbers may not be available in all markets. Contact your local Cook representative or Customer Service for details regarding: stock/non-stock status (expect longer lead time if non-stock), pricing and/or availability.

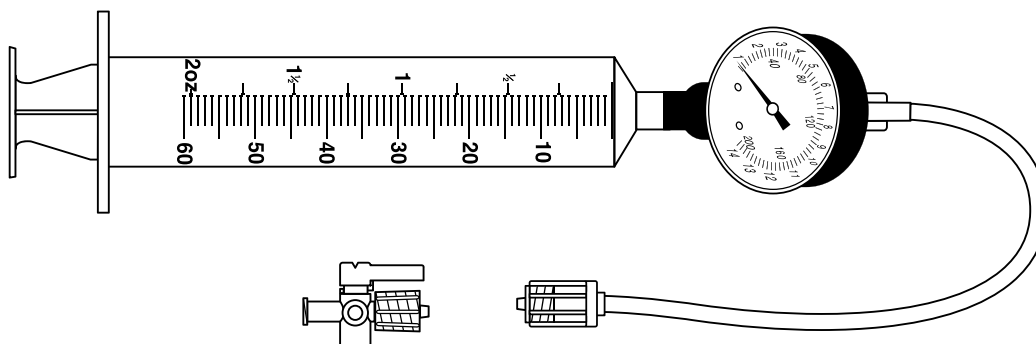
To be used with Quantum TTC (page 172), Eclipse Balloon Dilator (page 177), Hercules 3 Stage Balloon (page 170) and Hercules 3 Stage Wire Guided Balloon (page 171).



Dilation Syringe

Used to inflate, deflate and monitor pressure of the Cook line of balloon dilators during GI balloon dilation.

This device is supplied non-sterile and is disposable - intended for single use only.



Order Number	Reference Part Number	Syringe Capacity cc	Pressure atm	Pressure psi	Box Quantity
G27112	DS-60CC-S	60	14	200	5

Some products or part numbers may not be available in all markets. Contact your local Cook representative or Customer Service for details regarding: stock/non-stock status (expect longer lead time if non-stock), pricing and/or availability.

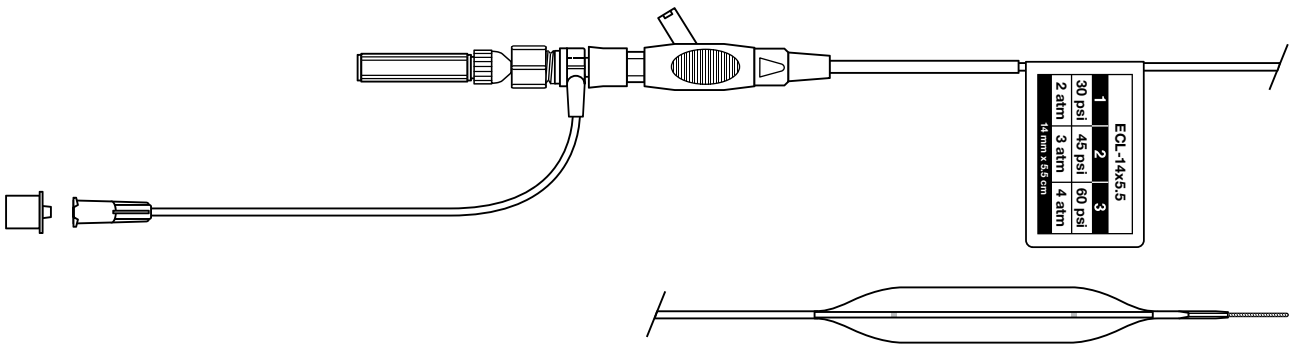
For use with compatible reusable inflation handles. 3-way stopcock included.



Eclipse™ TTC Wire-Guided Balloon Dilator

Used to dilate strictures of the gastrointestinal tract, including strictures of the esophagus, pylorus, duodenum and colon.

This device is supplied non-sterile and is disposable - intended for single use only.



Order Number	Reference Part Number	Catheter Size Fr	Catheter Length cm	Balloon Diameter mm	Balloon Diameter Fr	Balloon Length cm	Pressure atm	Pressure psi	Minimum Accessory Channel mm
Pyloric/Colonic									
G25636	ECL-6X5.5	6	240	6	18	5.5	8	120	2.8
G25628	ECL-8X5.5	6	240	8	24	5.5	4-6-8	60-90-120	2.8
G25629	ECL-10X5.5	6	240	10	30	5.5	3-4.5-6	45-67-90	2.8
G25630	ECL-12X5.5	6	240	12	36	5.5	3-4.5-6	45-67-90	2.8
G25631	ECL-14X5.5	6	240	14	42	5.5	2-3-4	30-45-60	2.8
G25632	ECL-16X5.5	6	240	16	48	5.5	2-3-4	30-45-60	2.8
G25633	ECL-18X5.5	6	240	18	54	5.5	1.8-2.6-3.5	25-37-50	2.8
G25637	ECL-20X5.5	6	240	20	60	5.5	3.5	50	3.7

Some products or part numbers may not be available in all markets. Contact your local Cook representative or Customer Service for details regarding: stock/non-stock status (expect longer lead time if non-stock), pricing and/or availability.

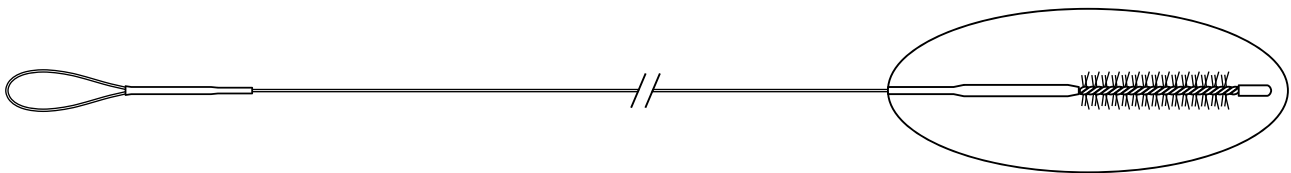
3-way stopcock included. Color connection: purple.



Savary Cleaning Brush

Used to clean the lumen of Savary-Gilliard dilators.

This device is supplied non-sterile and is disposable - intended for single use only.



Order Number	Reference Part Number	Brush Diameter mm	Cable Length cm
G22678	SCB-1-S	3	110

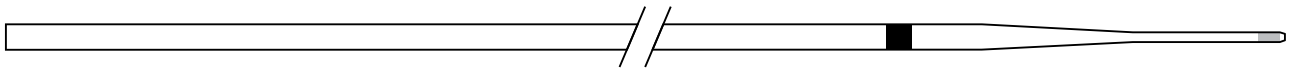
Some products or part numbers may not be available in all markets. Contact your local Cook representative or Customer Service for details regarding: stock/non-stock status (expect longer lead time if non-stock), pricing and/or availability.



Savary-Gilliard® Dilator

Used over a pre-positioned Savary-Gilliard wire guide for dilation of esophageal strictures.

This device is supplied non-sterile and is reusable if the device integrity is intact.



Order Number	Reference Part Number	Dilator Diameter Fr	Dilator Diameter mm	Dilator Length cm
G21551	SGD-7-70	21	7	70
G22069	SGD-8-70	24	8	70
G21752	SGD-9-70	27	9	70
G22146	SGD-10-70	30	10	70
G21829	SGD-11-70	33	11	70
G21549	SGD-12-70	36	12	70
G21632	SGD-12.8-70	38	12.8	70
G21750	SGD-14-70	42	14	70
G21470	SGD-15-70	45	15	70
G21968	SGD-16-70	48	16	70
G21690	SGD-17-70	51	17	70
G21383	SGD-18-70	54	18	70
G21894	SGD-19-70	57	19	70
G21607	SGD-20-70	60	20	70

Some products or part numbers may not be available in all markets. Contact your local Cook representative or Customer Service for details regarding: stock/non-stock status (expect longer lead time if non-stock), pricing and/or availability.

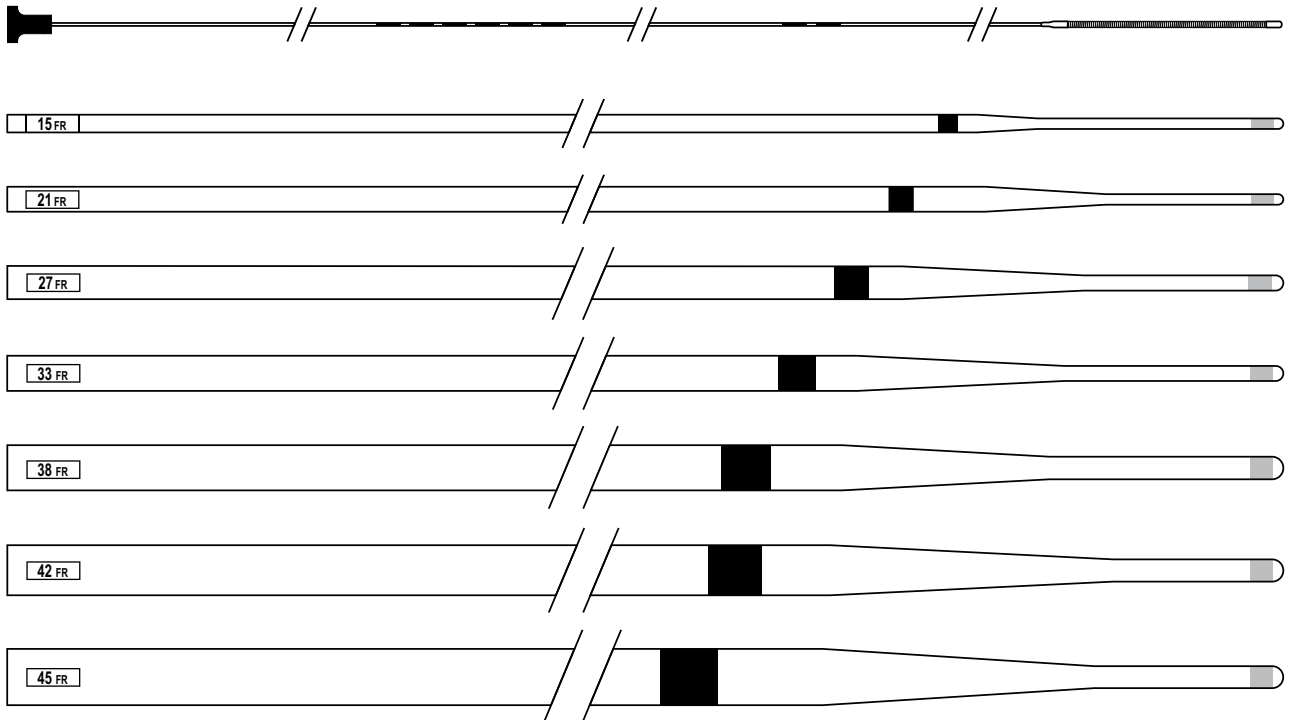
Savary-Gilliard is a registered trademark of Rene Gilliard.



Savary-Gilliard® Dilator Sets

Used over a pre-positioned Savary-Gilliard wire guide for dilation of esophageal strictures.

This device is supplied non-sterile and is reusable if the device integrity is intact.



Order Number	Reference Part Number	Number of Dilators in Set	Dilator Diameter mm	Dilator Length cm	Wire Guide Length cm
Dilator Sets					
G21634	SGD-70-1*	7	5, 7, 9, 11, 12.8, 14 and 15	70	200
G21635	SGD-70-2*	16	5, 6, 7, 8, 9, 10, 11, 12, 12.8, 14, 15, 16, 17, 18, 19, and 20	70	200
Dilator Carrying Case (Accommodates 10 Dilators)					
G21424	SGDC-1				
Dilator Washer (Reusable if device integrity is intact)					
G21653	SGDW-1				

Some products or part numbers may not be available in all markets. Contact your local Cook representative or Customer Service for details regarding: stock/non-stock status (expect longer lead time if non-stock), pricing and/or availability.

*Contains dilator carrying case and dilator washer.

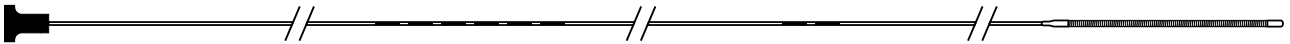
Savary-Gilliard is a registered trademark of Rene Gilliard.



Savary-Gilliard® Wire Guide

Used to introduce Savary-Gilliard dilators.

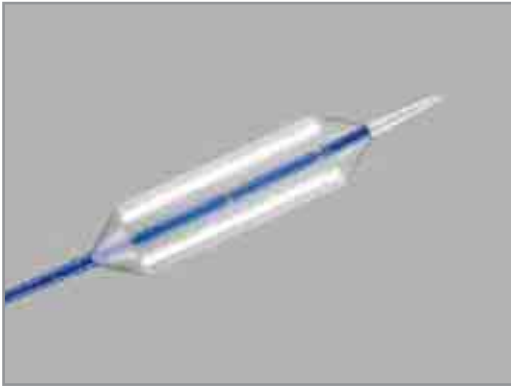
This device is supplied non-sterile.



Order Number	Reference Part Number	Wire Guide Length cm	Tip Shape	Wire Type
G22139	SGW-200-SD	200	progressively flexible	stainless steel
G21962	SGW-250-SD	250	progressively flexible	stainless steel
G21978	SGW-360-SD	360	progressively flexible	stainless steel

Some products or part numbers may not be available in all markets. Contact your local Cook representative or Customer Service for details regarding: stock/non-stock status (expect longer lead time if non-stock), pricing and/or availability.

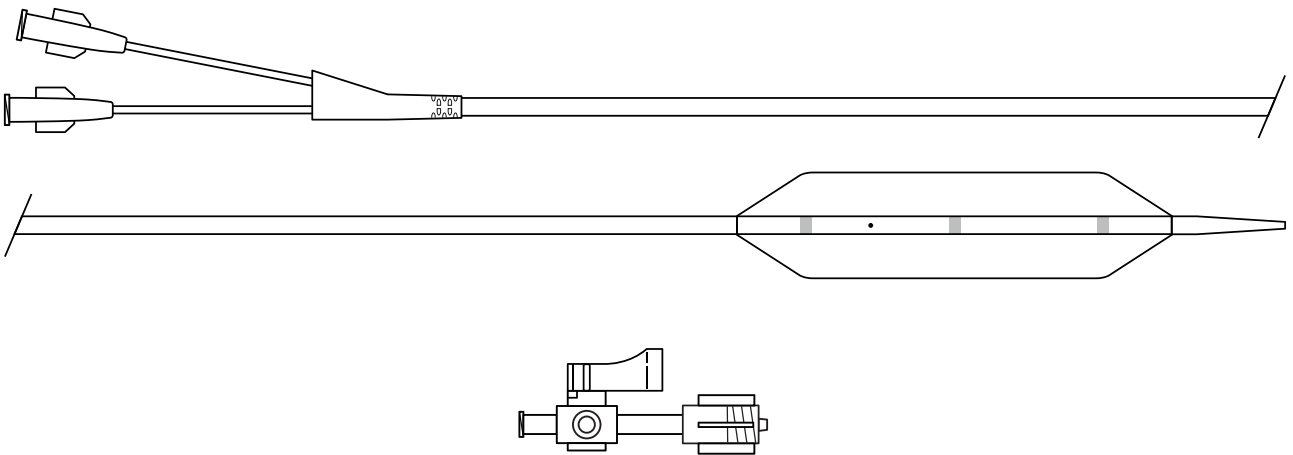
Savary-Gilliard is a registered trademark of Rene Gilliard.



Achalasia Balloon

Used to dilate strictures of the esophagus. Specially indicated for patients with achalasia.

This device is supplied non-sterile and is disposable - intended for single use only.



Order Number	Reference Part Number	Catheter Size Fr	Catheter Length cm	Balloon Diameter mm	Balloon Diameter Fr	Balloon Length cm
G24893	WCAB-30	16	75	30	90	8
G24945	WCAB-35	16	75	35	105	8

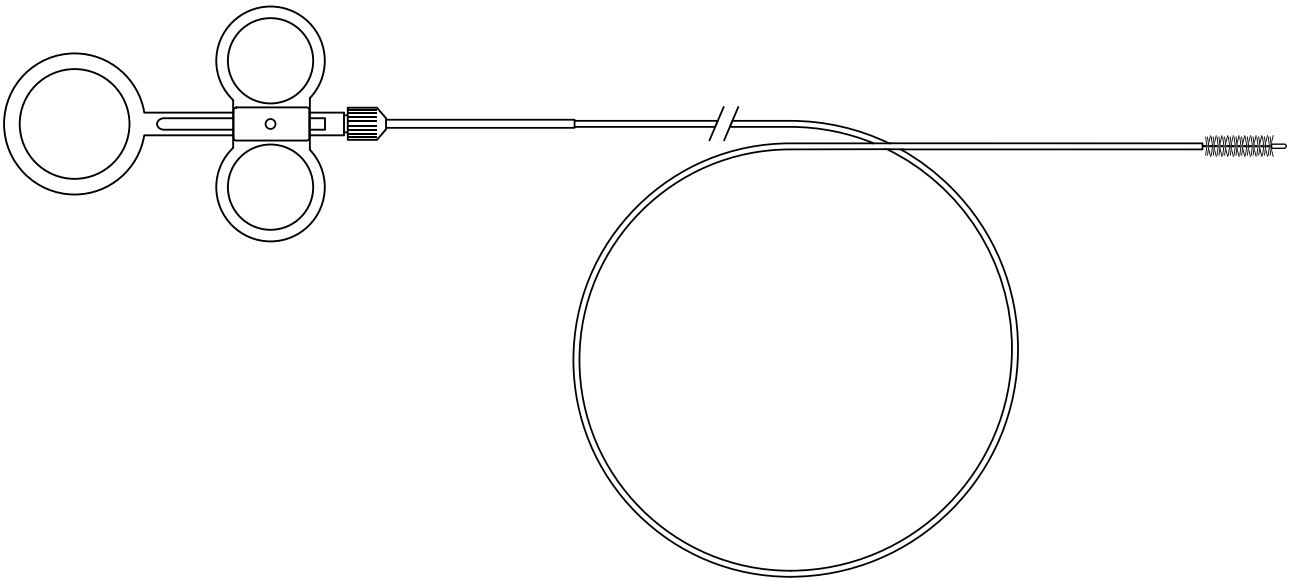
Some products or part numbers may not be available in all markets. Contact your local Cook representative or Customer Service for details.



Cytology Brush

Bronchoscope: Used to collect cells from the bronchi.

Gastroscope/Colonoscope: Used to collect cells from the upper and lower gastrointestinal tracts.



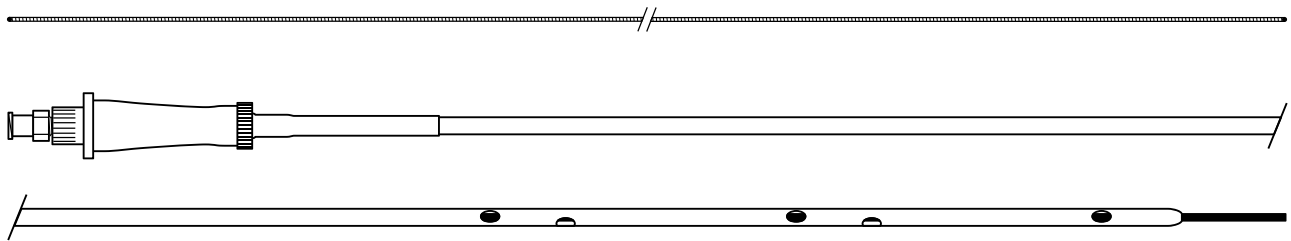
Order Number	Reference Part Number	Sheath Size Fr	Sheath Length cm	Brush Diameter mm	Box Quantity	Minimum Accessory Channel mm	Scope
G22124	BCB-5-120-1-S	5.1	120	1	10	2	bronchoscope
G22178	BCB-5-120-2-S	5.1	120	2	10	2	bronchoscope
G21386	BCB-5-120-3-S	5.1	120	3	10	2	bronchoscope
G22409	ECB-5-180-2-S	5.1	180	2	10	2	gastroscope
G22174	ECB-5-180-3-S	5.1	180	3	10	2	gastroscope
G22108	CCB-7-240-3-S	6.9	240	3	10	2.8	colonoscope

Some products or part numbers may not be available in all markets. Contact your local Cook representative or Customer Service for details regarding: stock/non-stock status (expect longer lead time if non-stock), pricing and/or availability.



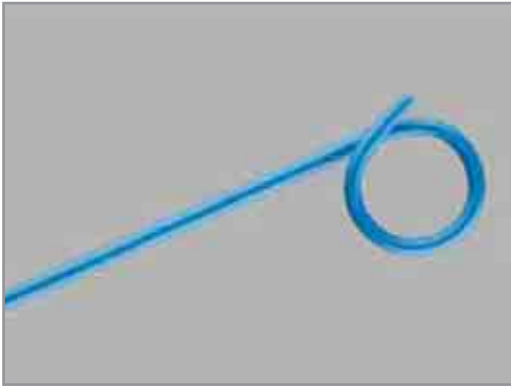
14 Fr Colon Decompression Set

Used for treatment of acute non-toxic megacolon, pseudo-obstruction (Ogilvie's Syndrome) and colonic strictures.



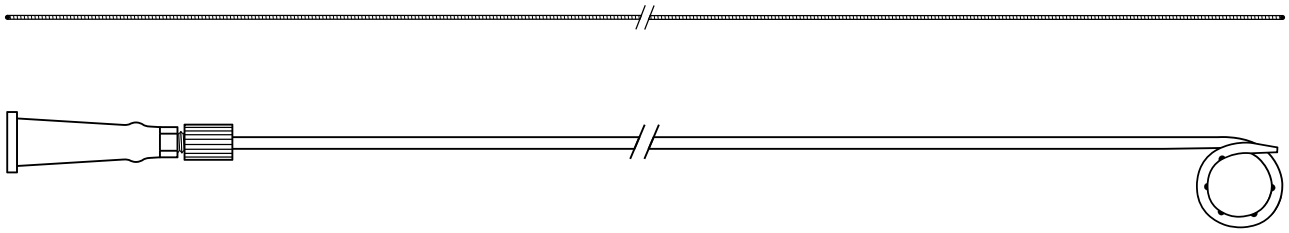
Order Number	Reference Part Number	Drainage Catheter Size Fr	Drainage Catheter Length cm	Number of Drainage Side Ports	Guiding Catheter Size Fr	Guiding Catheter Length cm	Wire Guide Diameter inch	Wire Guide Length cm
G22181	CDSG-14-175	14	175	10	6	182	.035	480

Some products or part numbers may not be available in all markets. Contact your local Cook representative or Customer Service for details regarding: stock/non-stock status (expect longer lead time if non-stock), pricing and/or availability.



Marcon Colon Decompression Set

Used for treatment of acute non-toxic megacolon, pseudo-obstruction (Ogilvie's Syndrome) and colonic strictures.



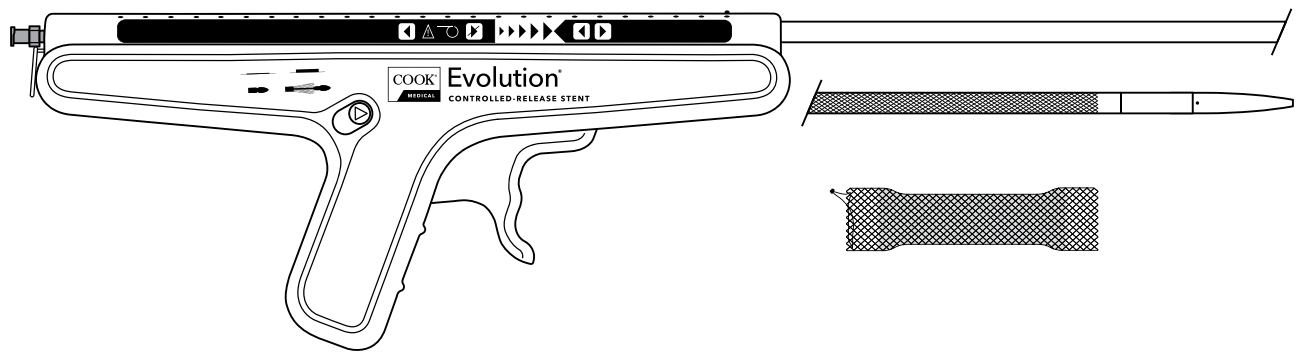
Order Number	Reference Part Number	Drainage Catheter Size Fr	Drainage Catheter Length cm	Number of Drainage Side Ports	Wire Guide Diameter inch	Wire Guide Length cm	Minimum Accessory Channel mm
G21938	CDSM-7	7	350	5	.035	480	2.8
G21709	CDSM-8.5	8.5	350	5	.035	480	3.2
G22218	CDSM-10	10	350	5	.035	480	3.7

Some products or part numbers may not be available in all markets. Contact your local Cook representative or Customer Service for details regarding: stock/non-stock status (expect longer lead time if non-stock), pricing and/or availability.



Evolution® Esophageal Controlled-Release Stent - Partially Covered

Used to maintain patency of malignant esophageal strictures and/or to seal tracheoesophageal fistulas.



Order Number	Reference Part Number	Stent Body Diameter mm	Stent Flange Diameter mm	Stent Length cm	Delivery System Diameter mm	Delivery System Length cm	MR Status	Wire Guide Diameter inch
G48030	EVO-20-25-8-E	20	25	8	8	78		.035
G48031	EVO-20-25-10-E	20	25	10	8	78		.035
G48032	EVO-20-25-12.5-E	20	25	12.5	8	78		.035
G48033	EVO-20-25-15-E	20	25	15	8	78		.035

Some products or part numbers may not be available in all markets. Contact your local Cook representative or Customer Service for details regarding: stock/non-stock status (expect longer lead time if non-stock), pricing and/or availability.

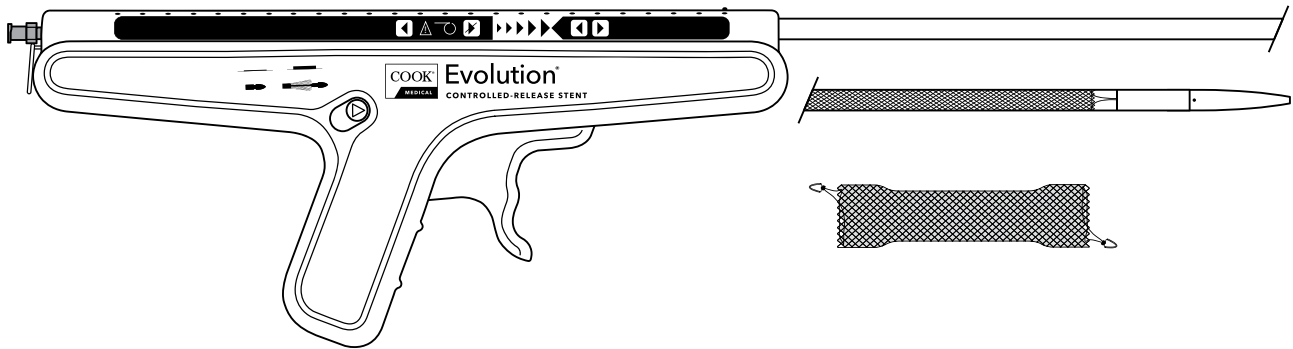


Evolution® Esophageal Controlled-Release Stent - Fully Covered

For Benign Indication.

Not for sale in the USA.

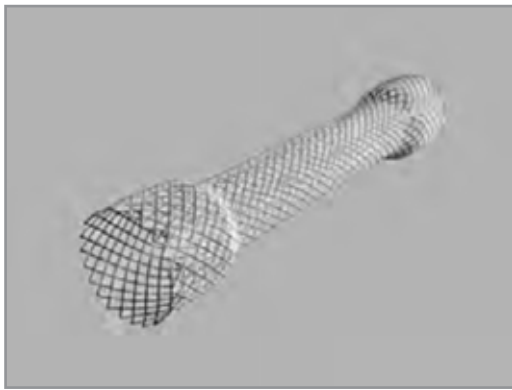
This device is used to maintain luminal patency of the esophagus in cases of: obstruction caused by intrinsic or extrinsic malignancies, refractory benign strictures, or to seal tracheoesophageal fistulas.



Order Number	Reference Part Number	Stent Body Diameter mm	Stent Flange Diameter mm	Stent Length cm	Delivery System Diameter mm	Delivery System Length cm	MR Status	Wire Guide Diameter inch
G55167	EVO-FC-R-18-23-8-E	18	23	8	8	78		.035
G55168	EVO-FC-R-18-23-10-E	18	23	10	8	78		.035
G55169	EVO-FC-R-18-23-12-E	18	23	12	8	78		.035
G55170	EVO-FC-R-20-25-8-E	20	25	8	8	78		.035
G55171	EVO-FC-R-20-25-10-E	20	25	10	8	78		.035
G55172	EVO-FC-R-20-25-12-E	20	25	12	8	78		.035

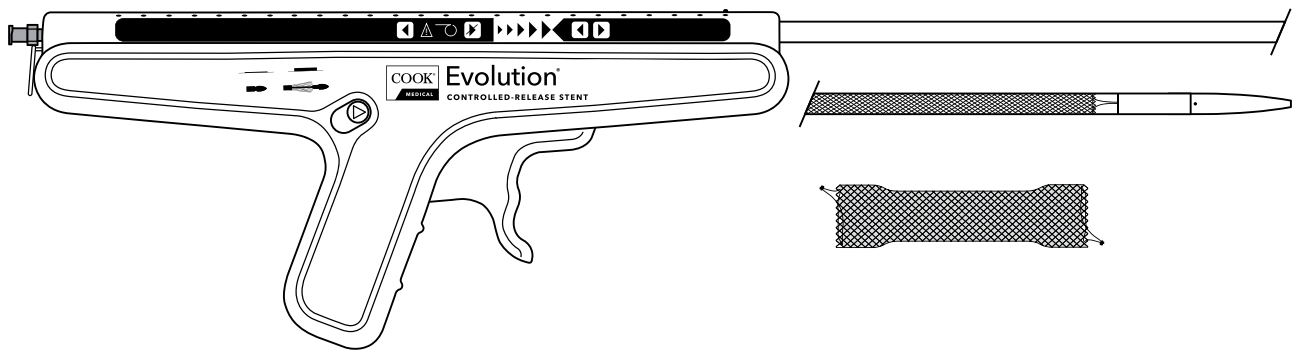
Some products or part numbers may not be available in all markets. Contact your local Cook representative or Customer Service for details regarding: stock/non-stock status (expect longer lead time if non-stock), pricing and/or availability.

The safety and effectiveness of leaving this stent in place, or removing the Evolution Esophageal Stent - Fully Covered from a benign lesion beyond 8 weeks has not been established.



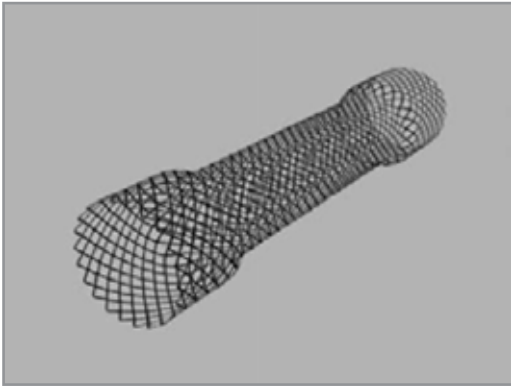
Evolution® Esophageal Controlled-Release Stent - Fully Covered

Used to maintain patency of malignant esophageal strictures and/or to seal tracheoesophageal fistulas.



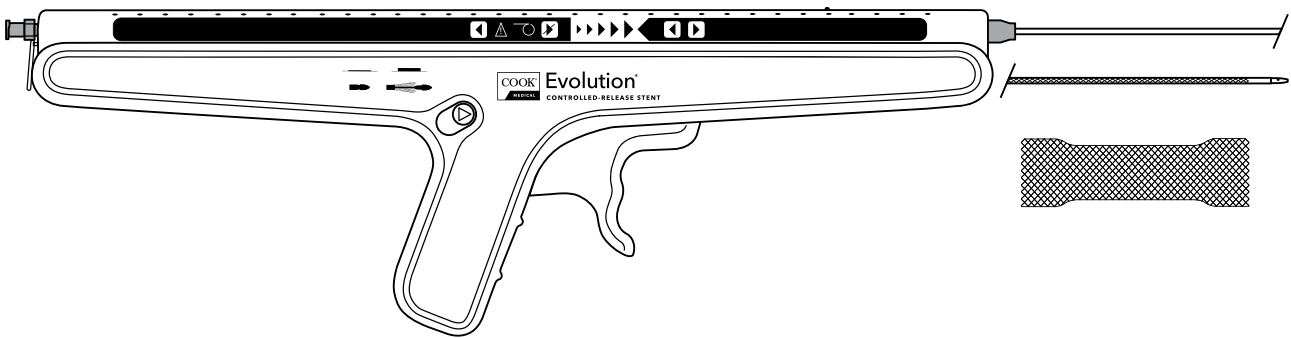
Order Number	Reference Part Number	Stent Body Diameter mm	Stent Flange Diameter mm	Stent Length cm	Delivery System Diameter mm	Delivery System Length cm	Wire Guide Diameter inch	MR Status
G51181	EVO-FC-18-23-8-E	18	23	8	8	78	.035	MR
G51182	EVO-FC-18-23-10-E	18	23	10	8	78	.035	MR
G51183	EVO-FC-18-23-12-E	18	23	12	8	78	.035	MR
G52225	EVO-FC-20-25-8-E	20	25	8	8	78	.035	MR
G52227	EVO-FC-20-25-10-E	20	25	10	8	78	.035	MR
G52226	EVO-FC-20-25-12-E	20	25	12	8	78	.035	MR

Some products or part numbers may not be available in all markets. Contact your local Cook representative or Customer Service for details regarding: stock/non-stock status (expect longer lead time if non-stock), pricing and/or availability.



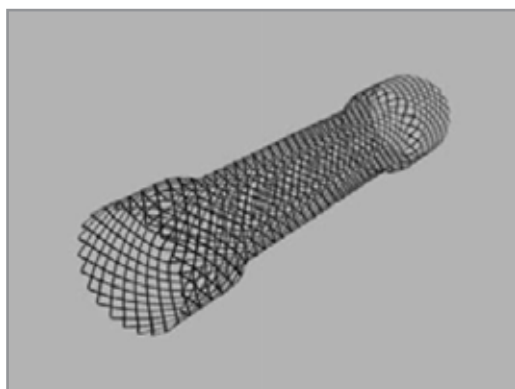
Evolution® Duodenal Controlled-Release Stent - Uncovered

Used for palliative treatment of duodenal or gastric outlet obstruction or strictures caused by malignant neoplasms.



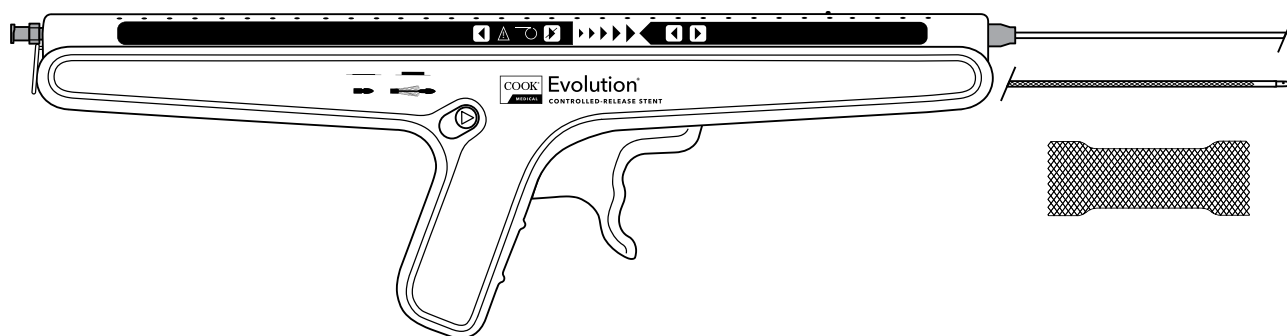
Order Number	Reference Part Number	Stent Body Diameter mm	Stent Flange Diameter mm	Stent Length cm	Delivery System Diameter Fr	Delivery System Length cm	Wire Guide Diameter inch	MR Status	Minimum Accessory Channel mm
G48025	EVO-22-27-6-D	22	27	6	10	230	.035		3.7
G48026	EVO-22-27-9-D	22	27	9	10	230	.035		3.7
G48027	EVO-22-27-12-D	22	27	12	10	230	.035		3.7

Some products or part numbers may not be available in all markets. Contact your local Cook representative or Customer Service for details regarding: stock/non-stock status (expect longer lead time if non-stock), pricing and/or availability.



Evolution® Colonic Controlled-Release Stent - Uncovered

Used for palliative treatment of colonic obstruction or colonic strictures caused by malignant neoplasms, and to relieve large bowel obstruction prior to colectomy in patients with malignant strictures.



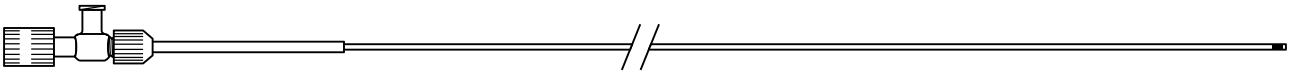
Order Number	Reference Part Number	Stent Body Diameter mm	Stent Flange Diameter mm	Stent Length cm	Delivery System Diameter Fr	Delivery System Length cm	Wire Guide Diameter inch	MR Status	Minimum Accessory Channel mm
G48029	EVO-25-30-6-C	25	30	6	10	230	.035		3.7
G48028	EVO-25-30-8-C	25	30	8	10	230	.035		3.7
G48038	EVO-25-30-10-C	25	30	10	10	230	.035		3.7

Some products or part numbers may not be available in all markets. Contact your local Cook representative or Customer Service for details regarding: stock/non-stock status (expect longer lead time if non-stock), pricing and/or availability.



Glo-Tip® Spray Catheter

Used in conjunction with an endoscope to spray the gastrointestinal mucosa.



Order Number	Reference Part Number	Catheter Size Fr	Catheter Length cm	Stylet Length cm	Minimum Accessory Channel mm
G24892	GT-7-SPRAY	7	240	100	2.8

Some products or part numbers may not be available in all markets. Contact your local Cook representative or Customer Service for details regarding: stock/non-stock status (expect longer lead time if non-stock), pricing and/or availability.

With radiopaque spray tip.

Pulmonary



Pulmonary

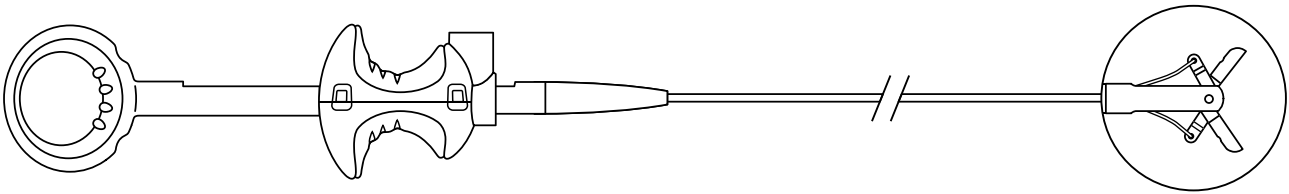
Forceps 193

Cytology Brush..... 194



Captura® Disposable Bronchoscope Biopsy Forceps

Used in obtaining biopsy samples in the bronchi and lungs.



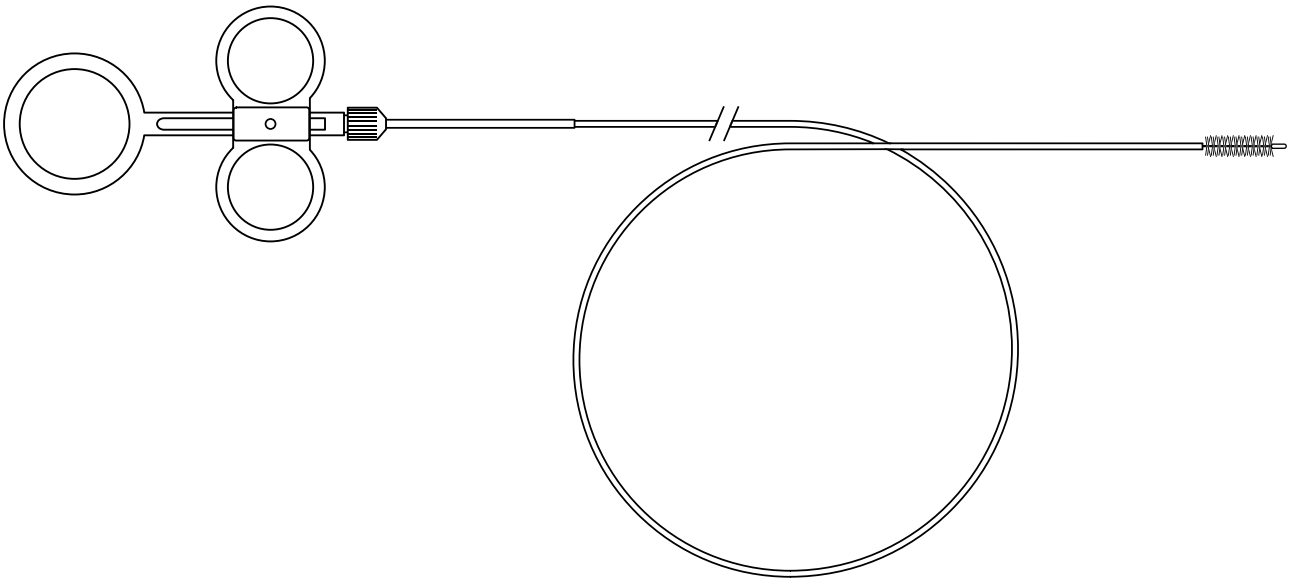
Order Number	Reference Part Number	Cup Diameter mm	Catheter Length cm	Forceps Type	Cup Edge	Box Quantity	Scope Type	Minimum Accessory Channel mm	Color Code
G47742	DBF-1.8-S	1.8	110	fenestrated	non-serrated	10	bronchoscope	2	blue

Some products or part numbers may not be available in all markets. Contact your local Cook representative or Customer Service for details regarding: stock/non-stock status (expect longer lead time if non-stock), pricing and/or availability.



Cytology Brush

Used to collect cells from the bronchi.



Order Number	Reference Part Number	Sheath Size Fr	Sheath Length cm	Brush Diameter mm	Box Quantity	Minimum Accessory Channel mm	Scope
G22124	BCB-5-120-1-S	5.1	120	1	10	2	bronchoscope
G22178	BCB-5-120-2-S	5.1	120	2	10	2	bronchoscope
G21386	BCB-5-120-3-S	5.1	120	3	10	2	bronchoscope

Some products or part numbers may not be available in all markets. Contact your local Cook representative or Customer Service for details regarding: stock/non-stock status (expect longer lead time if non-stock), pricing and/or availability.

Enteral



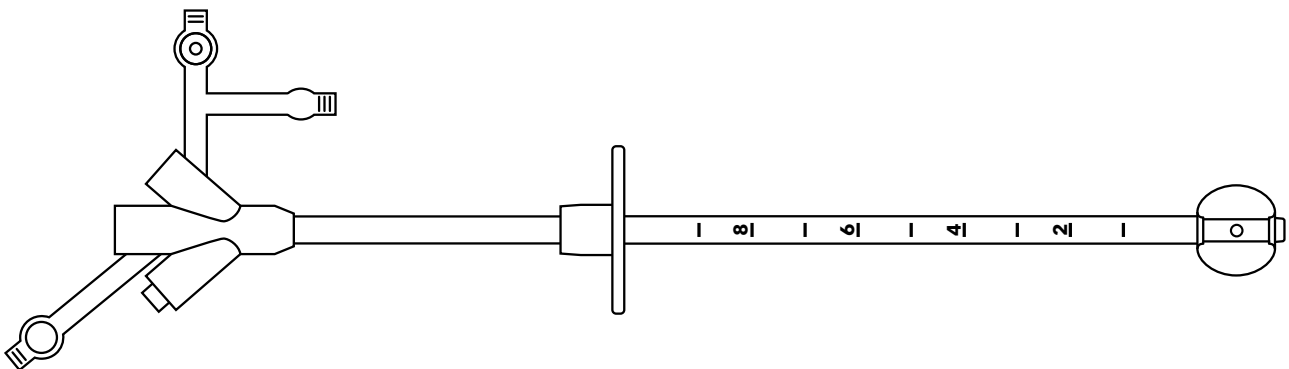
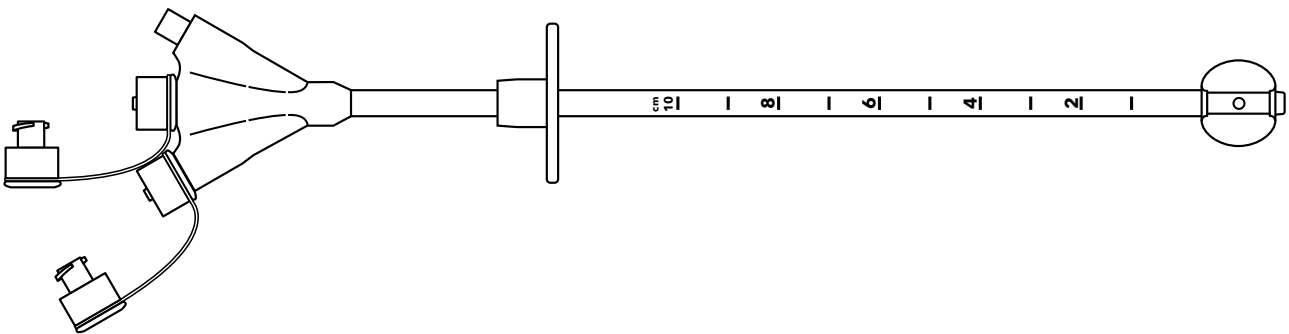
Enteral

PEG/PEGJ.....195



Entuit® Gastrostomy BR Balloon Retention Feeding Tube

Used to provide gastric access for enteral feeding, medication administration, and decompression through an established gastrointestinal stoma tract.



Order Number	Reference Part Number	Fr	Marked Length cm	Balloon Volume mL
Entuit Gastrostomy BR Balloon Retention Feeding Tube with ENFit Connection				
G44780	SBRD-12-ENF	12	10	5-7
G44781	SBRD-14-ENF	14	10	5-7
G44782	SBRD-16-ENF	16	10	5-7
G44783	SBRD-18-ENF	18	10	5-10
G44784	SBRD-20-ENF	20	10	20
G44785	SBRD-22-ENF	22	10	20
G44786	SBRD-24-ENF	24	10	20

Some products or part numbers may not be available in all markets. Contact your local Cook representative or Customer Service for details regarding: stock/non-stock status (expect longer lead time if non-stock), pricing and/or availability.

Continued on page 196

Entuit® Gastrostomy BR Balloon Retention Feeding Tube

Continued from page 195

Order Number	Reference Part Number	Fr	Marked Length cm	Balloon Volume mL
Entuit Gastrostomy BR Balloon Retention Feeding Tube				
G35614	SBRD-12	12	10	5-7
G35615	SBRD-14	14	10	5-7
G35616	SBRD-16	16	10	5-7
G35617	SBRD-18	18	10	5-10
G35618	SBRD-20	20	10	20
G35619	SBRD-22	22	10	20
G35620	SBRD-24	24	10	20

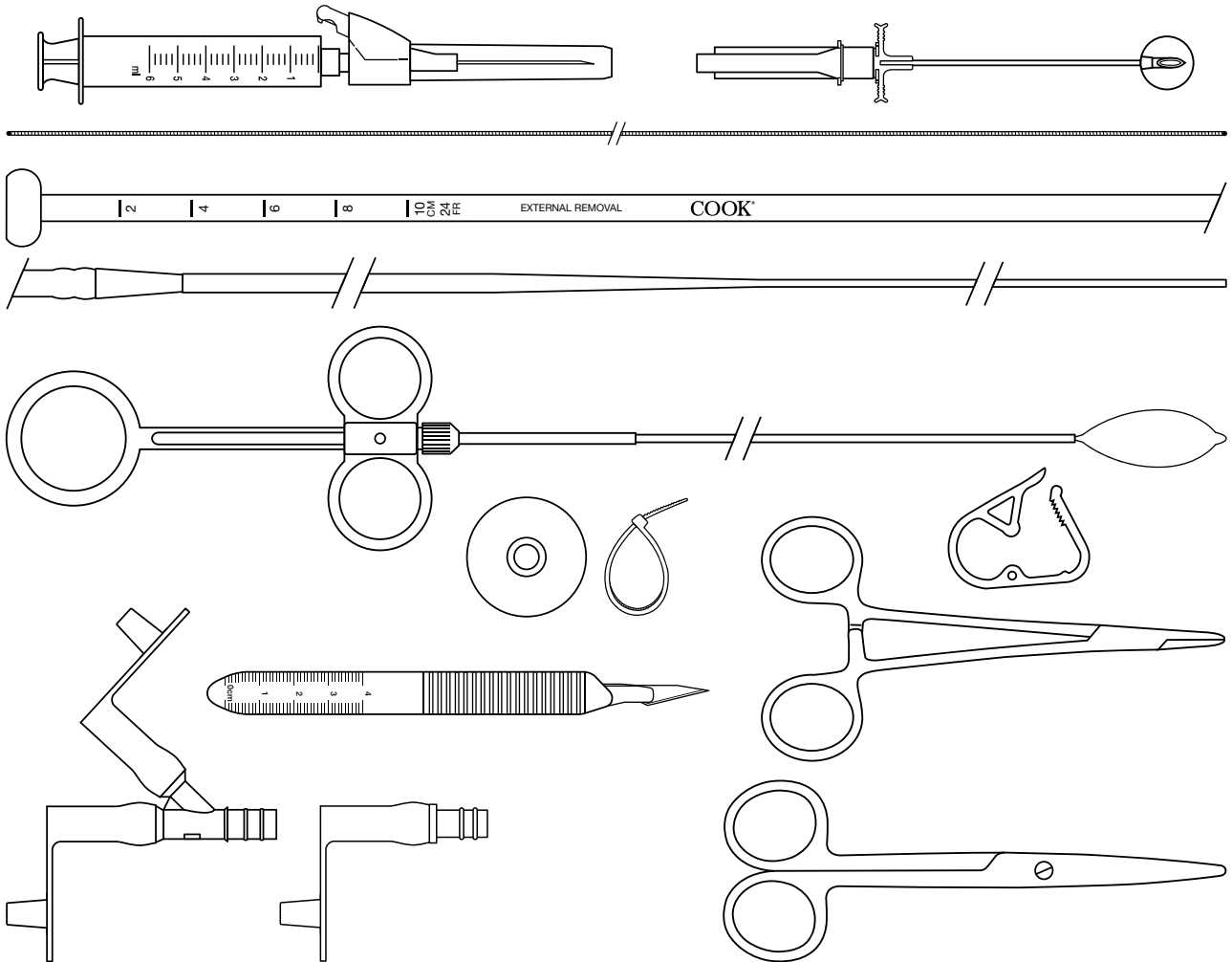
Some products or part numbers may not be available in all markets. Contact your local Cook representative or Customer Service for details regarding: stock/non-stock status (expect longer lead time if non-stock), pricing and/or availability.



PEG 24® Push Method with Safety Sharps

Available for sale in the USA only.

Used for percutaneous endoscopic placement to provide enteral nutrition to patients requiring nutritional support.



Order Number	Reference Part Number	Feeding Tube Size Fr	Feeding Tube Inside Diameter mm	Wire Guide Diameter inch	Insertion Wire Length cm
G31548	PEG-24-PUSH-SSK-5	24	5.5	.035	260

Some products or part numbers may not be available in all markets. Contact your local Cook representative or Customer Service for details regarding: stock/non-stock status (expect longer lead time if non-stock), pricing and/or availability.

Includes safety components.

COMPONENT LIST:

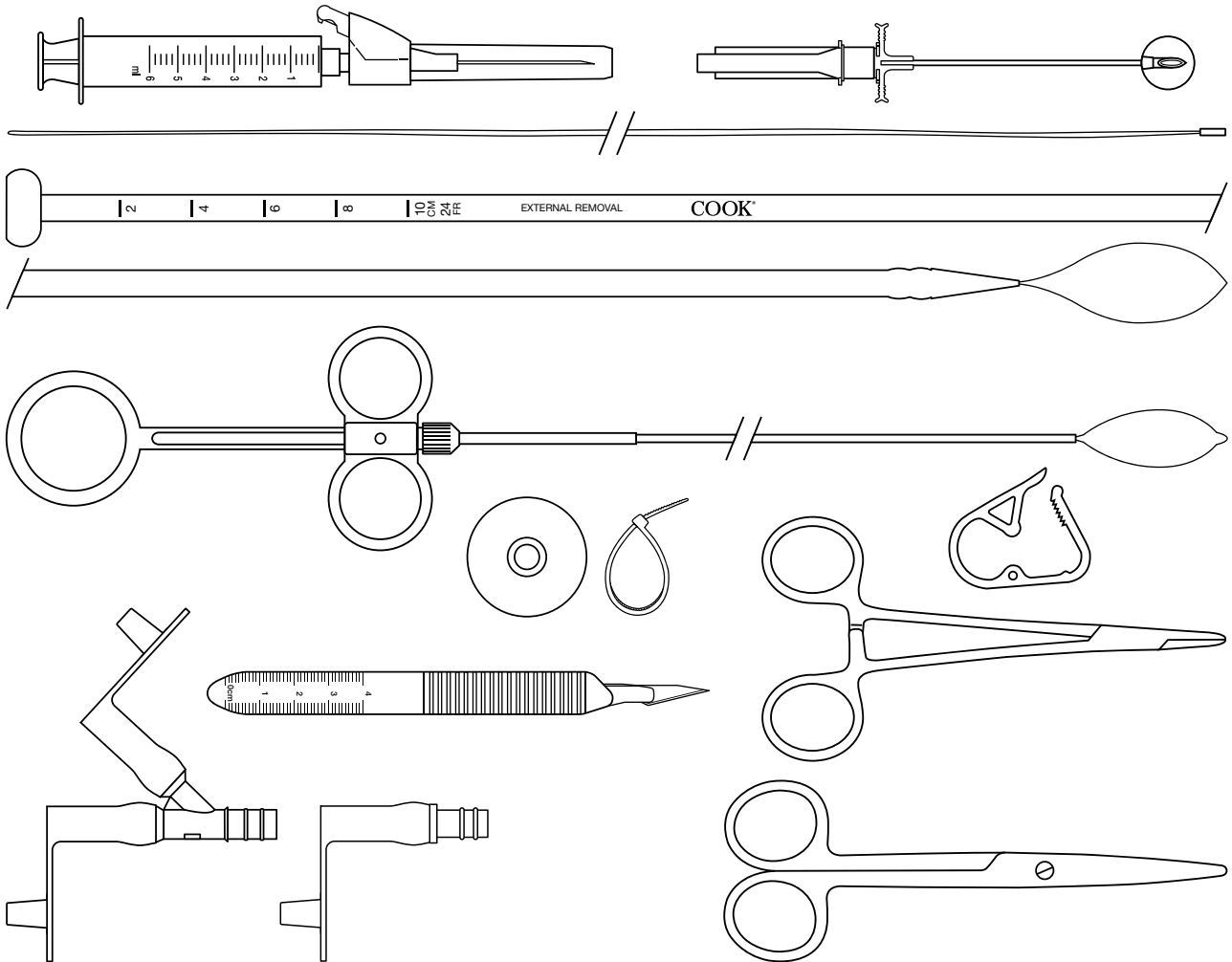
- 1 fenestrated drape
- 1 150 cm looped insertion wire (pull only)
- 1 260 cm wire guide (push only)
- 1 cold snare
- 1 silicone feeding tube
- 5 gauze pads, 4" x 4"
- 1 scissors
- 1 hemostat
- 1 bolster
- 1 tube clamp
- 1 universal adapter
- 1 Bolus adapter
- 2 twist lock
- 1 cable tie
- 1 Bolus feeding adapter – male (-I products only)
- 1 patient care manual
- 1 scalpel
- 1 trocar needle
- 2 water soluble lubricant
- 1 22 gauge x 1½" needle
- 1 ChloraPrep® swabs
- 1 Povidone ointment
- 1 syringe



PEG 24® Pull Method with Safety Sharps

Available for sale in the USA only.

Used for percutaneous endoscopic placement to provide enteral nutrition to patients requiring nutritional support.



Order Number	Reference Part Number	Feeding Tube Size Fr	Feeding Tube Inside Diameter mm	Insertion Wire Length cm
G56402	PEG-24-PULL-SSK-S-T	24	5.5	150

Some products or part numbers may not be available in all markets. Contact your local Cook representative or Customer Service for details regarding: stock/non-stock status (expect longer lead time if non-stock), pricing and/or availability.

Includes safety components.

COMPONENT LIST:

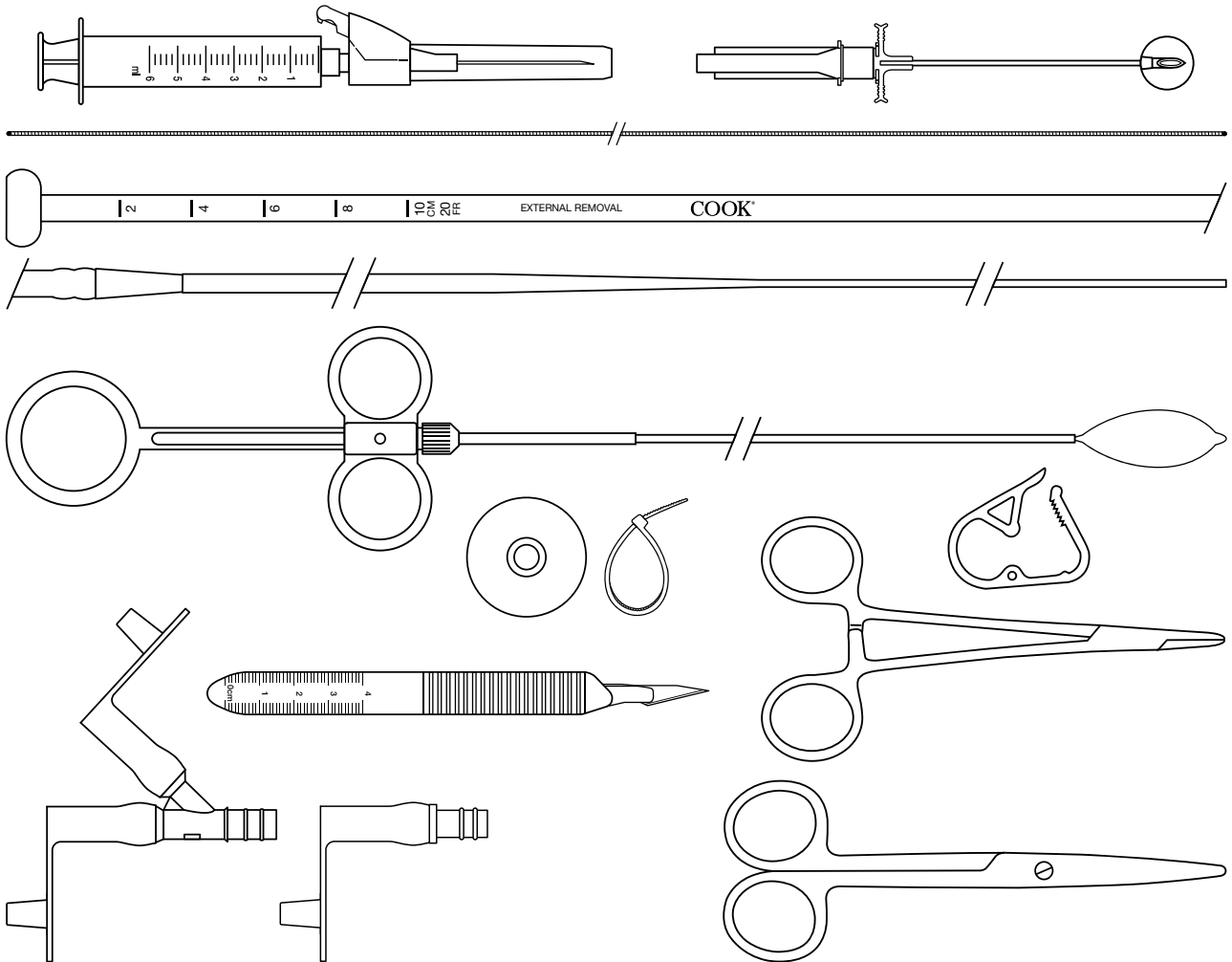
- 1 fenestrated drape
- 1 150 cm looped insertion wire (pull only)
- 1 260 cm wire guide (push only)
- 1 cold snare
- 1 silicone feeding tube
- 5 gauze pads, 4" x 4"
- 1 scissors
- 1 hemostat
- 1 bolster
- 1 tube clamp
- 1 universal adapter
- 1 Bolus adapter
- 2 twist lock
- 1 cable tie
- 1 Bolus feeding adapter – male (-I products only)
- 1 patient care manual
- 1 scalpel
- 1 trocar needle
- 2 water soluble lubricant
- 1 22 gauge x 1½" needle
- 1 ChloraPrep® swabs
- 1 Povidone ointment
- 1 syringe



Flow 20® Push Method with Safety Sharps

Available for sale in the USA only.

Used for percutaneous endoscopic placement to provide enteral nutrition to patients requiring nutritional support.



Order Number	Reference Part Number	Feeding Tube Size Fr	Feeding Tube Inside Diameter mm	Wire Guide Diameter inch	Insertion Wire Length cm
G31543	FLOW-20-PUSH-SSK-S	20	4.47	.035	260

Some products or part numbers may not be available in all markets. Contact your local Cook representative or Customer Service for details regarding: stock/non-stock status (expect longer lead time if non-stock), pricing and/or availability.

Includes safety components.

COMPONENT LIST:

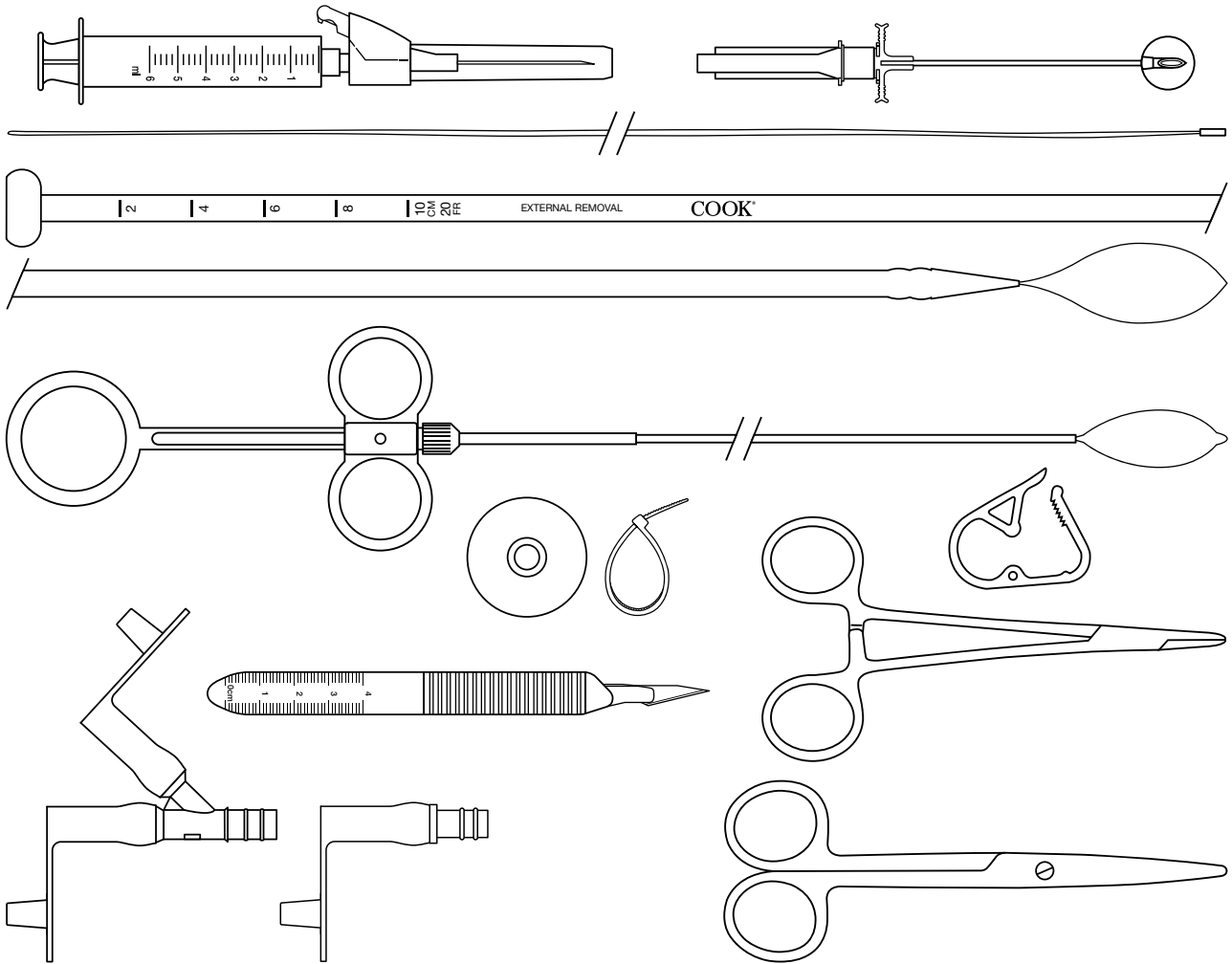
- 1 fenestrated drape
- 1 150 cm looped insertion wire (pull only)
- 1 260 cm wire guide (push only)
- 1 cold snare
- 1 silicone feeding tube
- 5 gauze pads, 4" x 4"
- 1 scissors
- 1 hemostat
- 1 bolster
- 1 tube clamp
- 1 universal adapter
- 1 Bolus adapter
- 2 twist lock
- 1 cable tie
- 1 Bolus feeding adapter – male (-I products only)
- 1 patient care manual
- 1 scalpel
- 1 trocar needle
- 2 water soluble lubricant
- 1 22 gauge x 1½" needle
- 1 ChloraPrep® swabs
- 1 Povidone ointment
- 1 syringe



Flow 20® Pull Method with Safety Sharps

Available for sale in the USA only.

Used for percutaneous endoscopic placement to provide enteral nutrition to patients requiring nutritional support.



Order Number	Reference Part Number	Feeding Tube Size Fr	Feeding Tube Inside Diameter mm	Insertion Wire Length cm
G56403	FLOW-20-PULL-SSK-S-T	20	4.47	150

Some products or part numbers may not be available in all markets. Contact your local Cook representative or Customer Service for details regarding: stock/non-stock status (expect longer lead time if non-stock), pricing and/or availability.

Includes safety components.

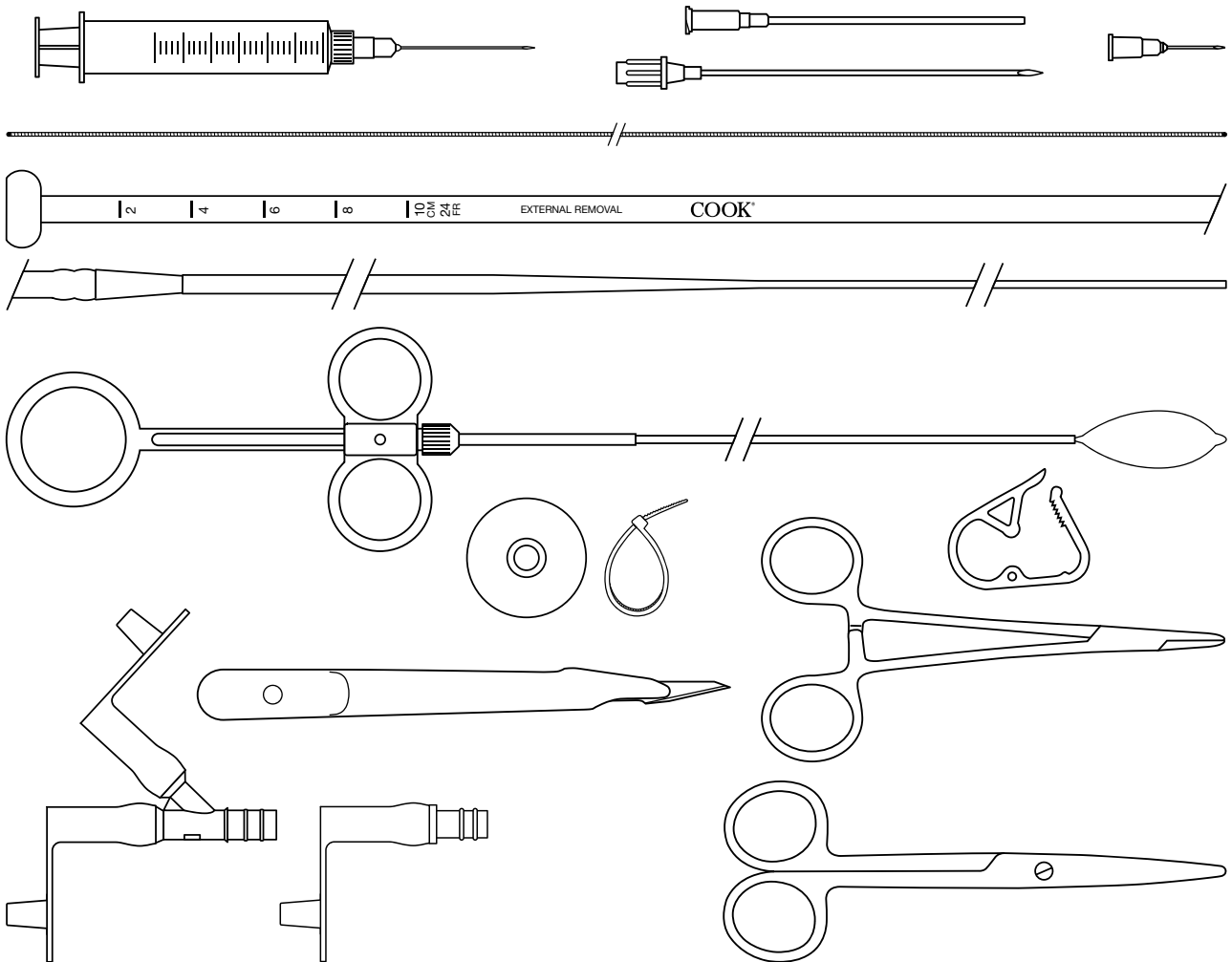
COMPONENT LIST:

- 1 fenestrated drape
- 1 150 cm looped insertion wire (pull only)
- 1 260 cm wire guide (push only)
- 1 cold snare
- 1 silicone feeding tube
- 5 gauze pads, 4" x 4"
- 1 scissors
- 1 hemostat
- 1 bolster
- 1 tube clamp
- 1 universal adapter
- 1 Bolus adapter
- 2 twist lock
- 1 cable tie
- 1 Bolus feeding adapter – male (-I products only)
- 1 patient care manual
- 1 scalpel
- 1 trocar needle
- 2 water soluble lubricant
- 1 22 gauge x 1½" needle
- 1 ChloraPrep® swabs
- 1 Povidone ointment
- 1 syringe



PEG 24® Push Method

Used for percutaneous endoscopic placement to provide enteral nutrition to patients requiring nutritional support.



Order Number	Reference Part Number	Feeding Tube Size Fr	Feeding Tube Inside Diameter mm	Wire Guide Diameter inch	Insertion Wire Length cm	Box Quantity
G22635	PEG-24-PUSH-S	24	5.5	.035	260	1
G22758	PEG-24-PUSH-I-S*	24	5.5	.035	260	1

Some products or part numbers may not be available in all markets. Contact your local Cook representative or Customer Service for details regarding: stock/non-stock status (expect longer lead time if non-stock), pricing and/or availability.

*Does not include pharmaceuticals.

COMPONENT LIST:

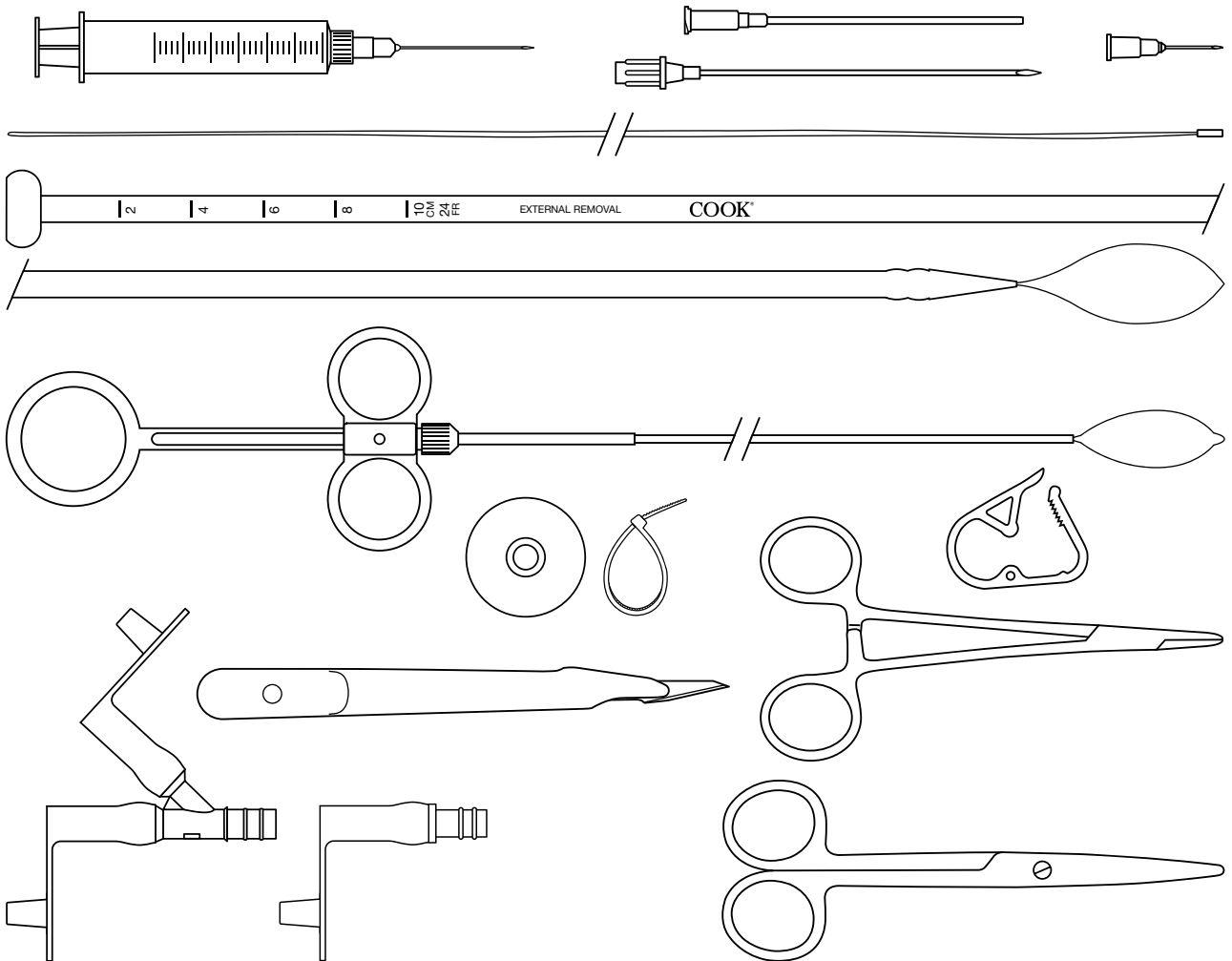
- 1 fenestrated drape
- 1 260 cm wire guide
- 1 cold snare
- 1 silicone feeding tube
- 5 gauze pads, 4" x 4"
- 1 scissors
- 1 hemostat
- 1 bolster
- 1 tube clamp
- 1 universal adapter
- 1 Bolus adapter
- 2 twist lock
- 1 cable tie
- 1 Bolus feeding adapter – male (-I products only)
- 1 patient care manual
- 2 water soluble lubricant†
- 1 22 gauge x 1½" needle†
- 1 25 gauge x 5/8" needle†
- 1 ChloroPrep® swabs†
- 1 Povidone ointment†
- 1 Xylocaine 1%, 5 ml glass vial†
- 1 syringe†

†These components are not included in the products with "-I" in the RPN.



PEG 24® Pull Method

Used for percutaneous endoscopic placement to provide enteral nutrition to patients requiring nutritional support.



Order Number	Reference Part Number	Feeding Tube Size Fr	Feeding Tube Inside Diameter mm	Insertion Wire Length cm	Box Quantity
G22636	PEG-24-PULL-S	24	5.5	150	1
G22757	PEG-24-PULL-I-S*	24	5.5	150	1

Some products or part numbers may not be available in all markets. Contact your local Cook representative or Customer Service for details regarding: stock/non-stock status (expect longer lead time if non-stock), pricing and/or availability.

*Does not include pharmaceuticals.

COMPONENT LIST:

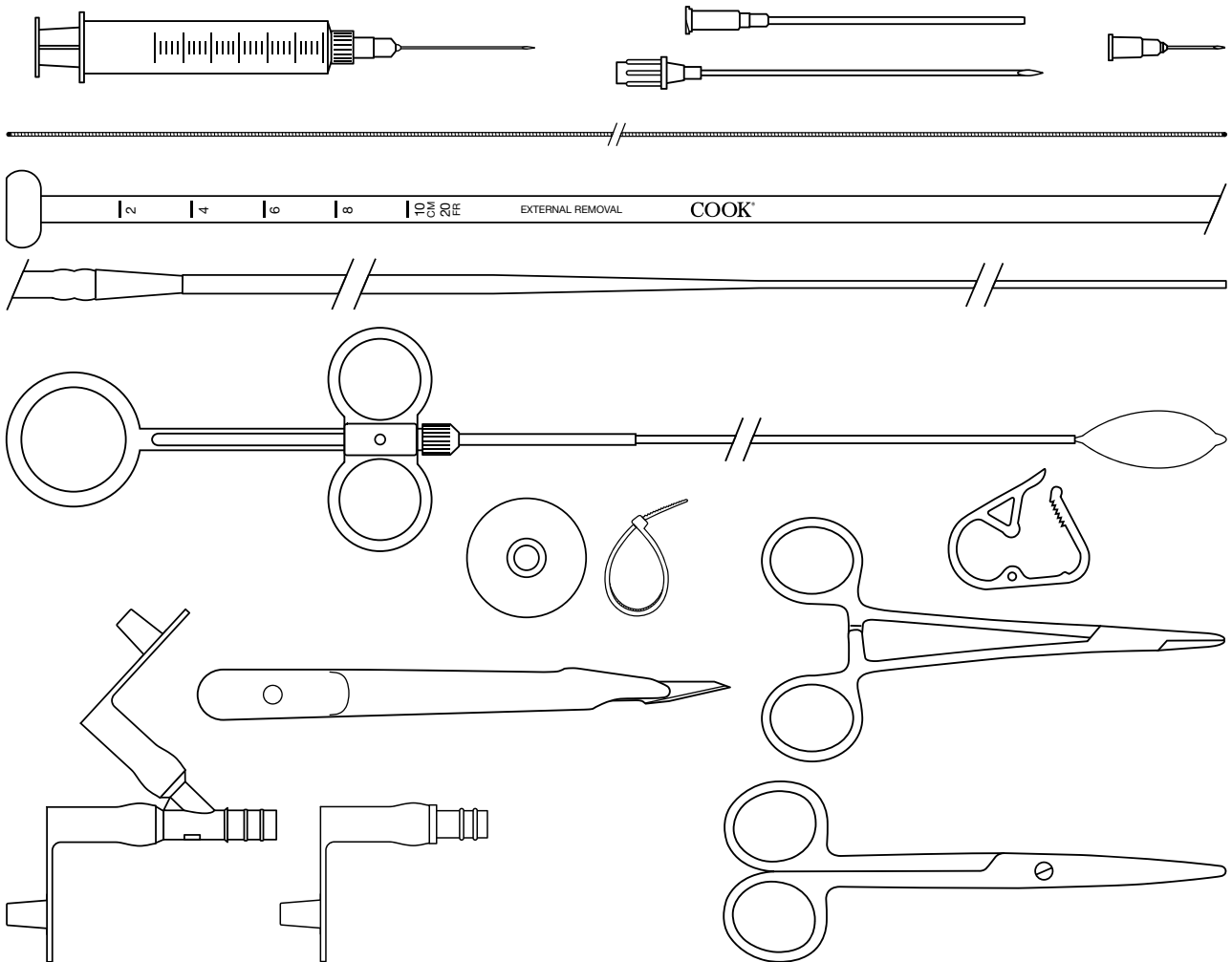
- | | | | |
|--------------------------------|---------------------|---|----------------------------------|
| 1 fenestrated drape | 1 scissors | 2 twist lock | 1 22 gauge x 1½" needle† |
| 1 150 cm looped insertion wire | 1 hemostat | 1 cable tie | 1 25 gauge x 5/8" needle† |
| 1 cold snare | 1 bolster | 1 Bolus feeding adapter – male (-I products only) | 1 ChloraPrep® swabs† |
| 1 silicone feeding tube | 1 tube clamp | 1 patient care manual | 1 Povidone ointment† |
| 5 gauze pads, 4" x 4" | 1 universal adapter | 2 water soluble lubricant† | 1 Xylocaine 1%, 5 ml glass vial† |
| | 1 Bolus adapter | | 1 syringe† |

†These components are not included in the products with "-I" in the RPN.



Flow 20® Push Method

Used for percutaneous endoscopic placement to provide enteral nutrition to patients requiring nutritional support.



Order Number	Reference Part Number	Feeding Tube Size Fr	Feeding Tube Inside Diameter mm	Wire Guide Diameter inch	Insertion Wire Length cm	Box Quantity
G22637	FLOW-20-PUSH-S	20	4.47	.035	260	1
G22762	FLOW-20-PUSH-I-S*	20	4.47	.035	260	1

Some products or part numbers may not be available in all markets. Contact your local Cook representative or Customer Service for details regarding: stock/non-stock status (expect longer lead time if non-stock), pricing and/or availability.

*Does not include pharmaceuticals.

COMPONENT LIST:

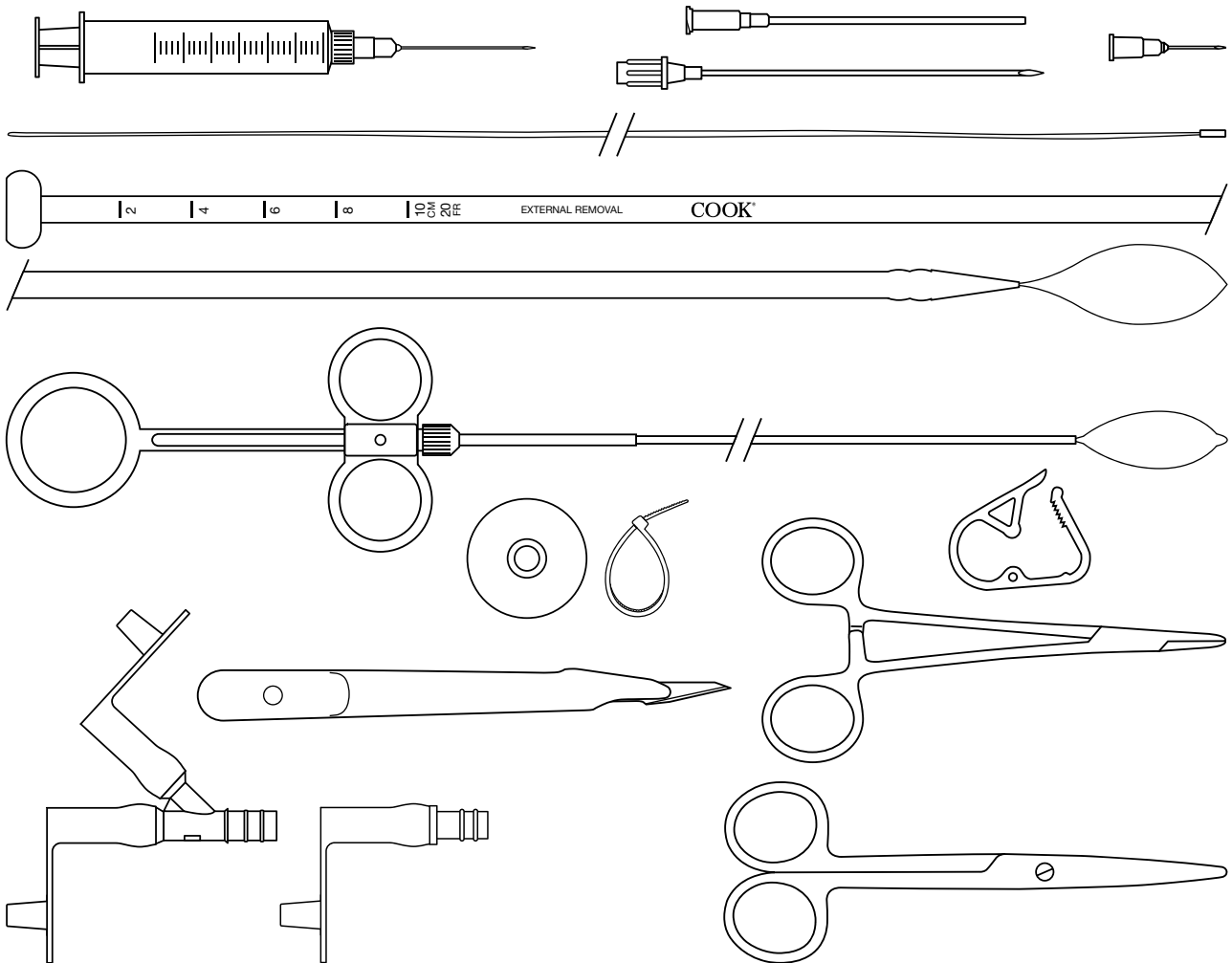
- 1 fenestrated drape
- 1 260 cm wire guide
- 1 cold snare
- 1 silicone feeding tube
- 5 gauze pads, 4" x 4"
- 1 scissors
- 1 hemostat
- 1 bolster
- 1 tube clamp
- 1 universal adapter
- 1 Bolus adapter
- 2 twist lock
- 1 cable tie
- 1 Bolus feeding adapter – male (-I products only)
- 1 patient care manual
- 2 water soluble lubricant†
- 1 22 gauge x 1½" needle†
- 1 25 gauge x 5/8" needle†
- 1 ChloraPrep® swabs†
- 1 Povidone ointment†
- 1 Xylocaine 1%, 5 ml glass vial†
- 1 syringe†

†These components are not included in the products with "-I" in the RPN.



Flow 20® Pull Method

Used for percutaneous endoscopic placement to provide enteral nutrition to patients requiring nutritional support.



Order Number	Reference Part Number	Feeding Tube Size Fr	Feeding Tube Inside Diameter mm	Insertion Wire Length cm	Box Quantity
G22638	FLOW-20-PULL-S	20	4.47	150	1
G22761	FLOW-20-PULL-I-S*	20	4.47	150	1

Some products or part numbers may not be available in all markets. Contact your local Cook representative or Customer Service for details regarding: stock/non-stock status (expect longer lead time if non-stock), pricing and/or availability.

*Does not include pharmaceuticals.

COMPONENT LIST:

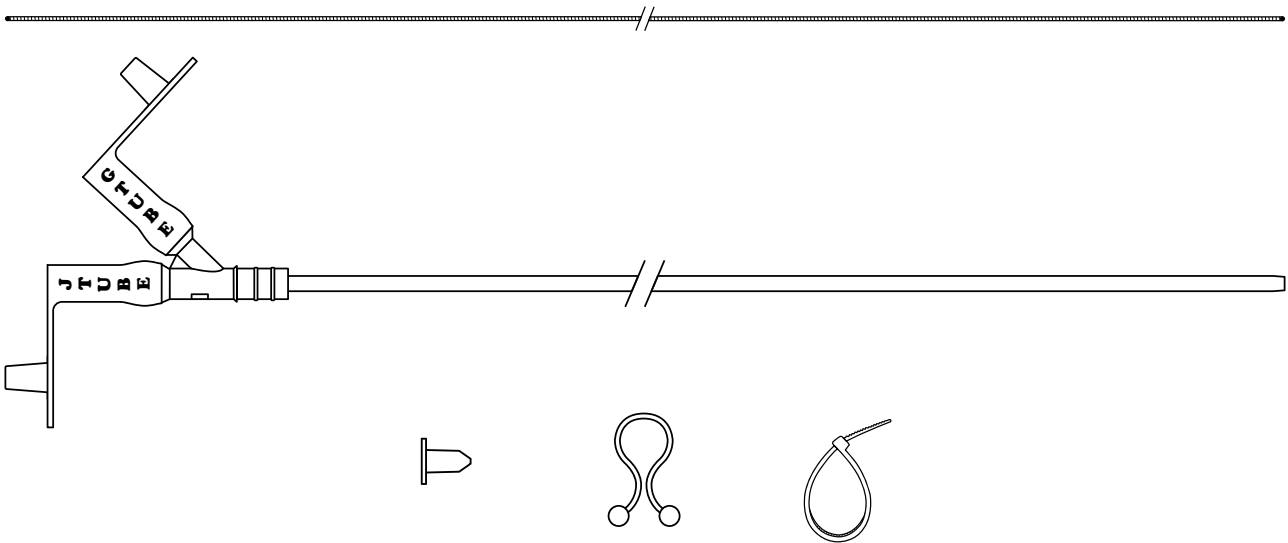
- | | | | |
|--------------------------------|---------------------|---|----------------------------------|
| 1 fenestrated drape | 1 scissors | 2 twist lock | 1 22 gauge x 1½" needle† |
| 1 150 cm looped insertion wire | 1 hemostat | 1 cable tie | 1 25 gauge x 5/8" needle† |
| 1 cold snare | 1 bolster | 1 Bolus feeding adapter – male (-I products only) | 1 ChloraPrep® swabs† |
| 1 silicone feeding tube | 1 tube clamp | 1 patient care manual | 1 Povidone ointment† |
| 5 gauze pads, 4" x 4" | 1 universal adapter | 2 water soluble lubricant† | 1 Xylocaine 1%, 5 ml glass vial† |
| | 1 Bolus adapter | | 1 syringe† |

†These components are not included in the products with "-I" in the RPN.



PEG 24® Jejunal

Used for percutaneous endoscopic placement to provide enteral nutrition to patients requiring nutritional support.



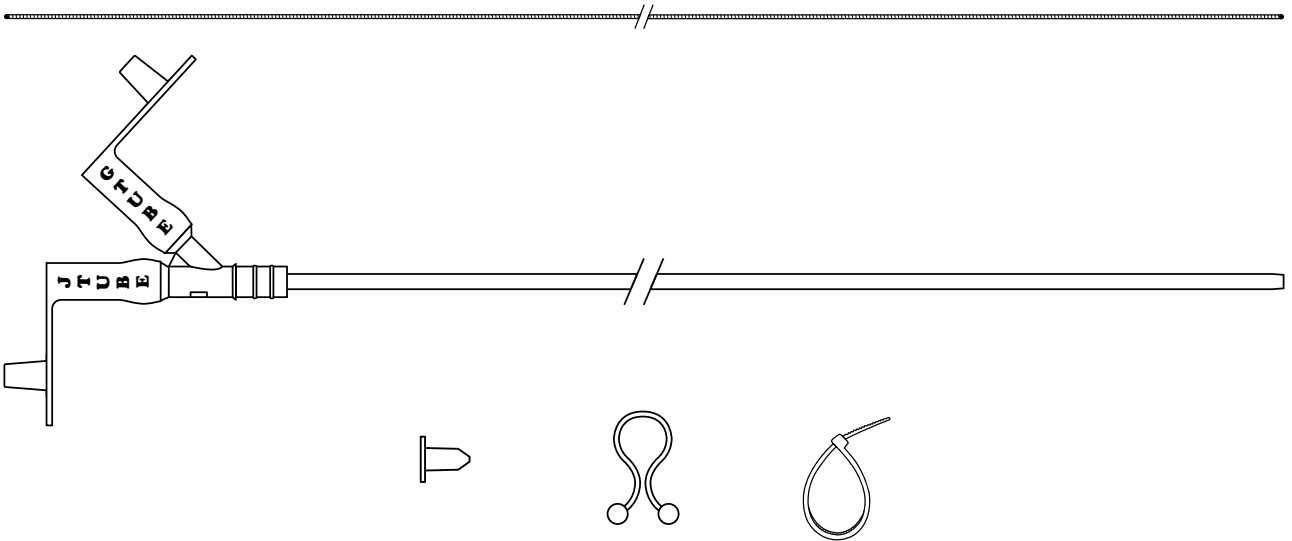
Order Number	Reference Part Number	Feeding Tube Size Fr	Feeding Tube Length cm	Wire Guide Diameter inch	Wire Guide Length cm
G22639	PEGJ-12-24-S	12	66	.035	200
G31503	PEGJ-12-24-95-S	12	95	.035	200

Some products or part numbers may not be available in all markets. Contact your local Cook representative or Customer Service for details regarding: stock/non-stock status (expect longer lead time if non-stock), pricing and/or availability.



Flow 20® Jejun

Used for percutaneous endoscopic placement to provide enteral nutrition to patients requiring nutritional support.



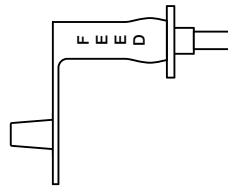
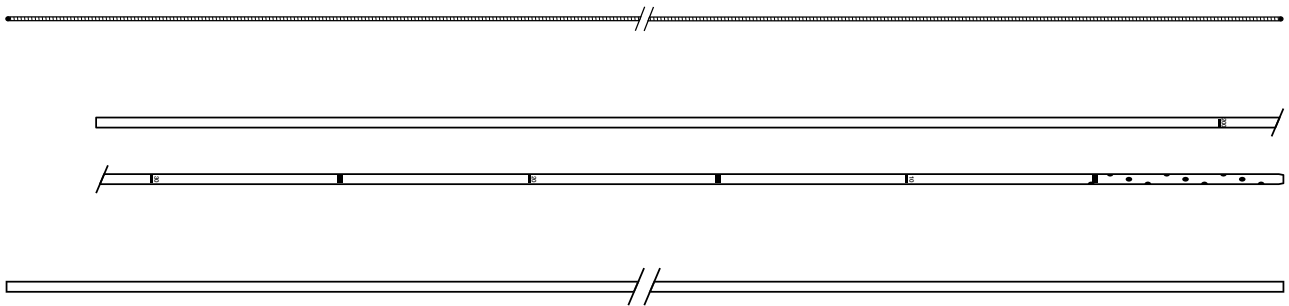
Order Number	Reference Part Number	Feeding Tube Size Fr	Feeding Tube Length cm	Wire Guide Diameter inch	Wire Guide Length cm
G22640	FLOWJ-9-20-S	9	60	.028	200

Some products or part numbers may not be available in all markets. Contact your local Cook representative or Customer Service for details regarding: stock/non-stock status (expect longer lead time if non-stock), pricing and/or availability.



Nasal Jejunum Feeding Tube

Used to provide short-term enteral access for delivery of nutrition or medications to the small bowel.



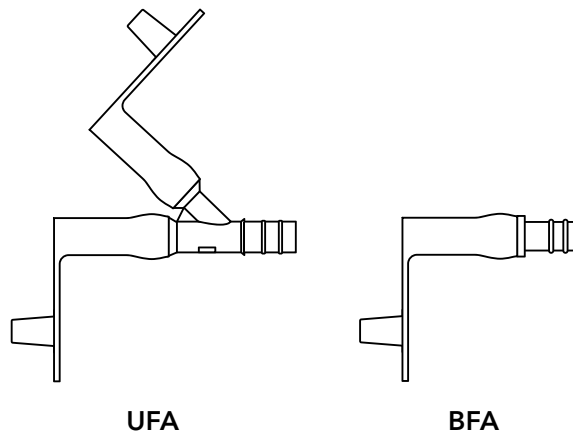
Order Number	Reference Part Number	Feeding Tube Size Fr	Feeding Tube Length cm	Wire Guide Diameter inch	Wire Guide Length cm	Nasal Transfer Tube Length cm	Minimum Accessory Channel mm
G22300	NJFT-8	8	240	.035	260	50	3.2
G22301	NJFT-10	10	240	.035	260	50	3.7

Some products or part numbers may not be available in all markets. Contact your local Cook representative or Customer Service for details regarding: stock/non-stock status (expect longer lead time if non-stock), pricing and/or availability.



Universal and Bolus Feeding Adapters

This device is supplied non-sterile and is disposable - intended for single use only.



Order Number	Reference Part Number	Adapter Size Fr	Adapter Type
G49642	UFA-20-S	20	Universal
G49641	BFA-20-S	20	Bolus
G22491	UFA-24-S	24	Universal

Some products or part numbers may not be available in all markets. Contact your local Cook representative or Customer Service for details regarding: stock/non-stock status (expect longer lead time if non-stock), pricing and/or availability.

Miscellaneous

Miscellaneous

Diverticulum Overtube209

Long Length Devices210

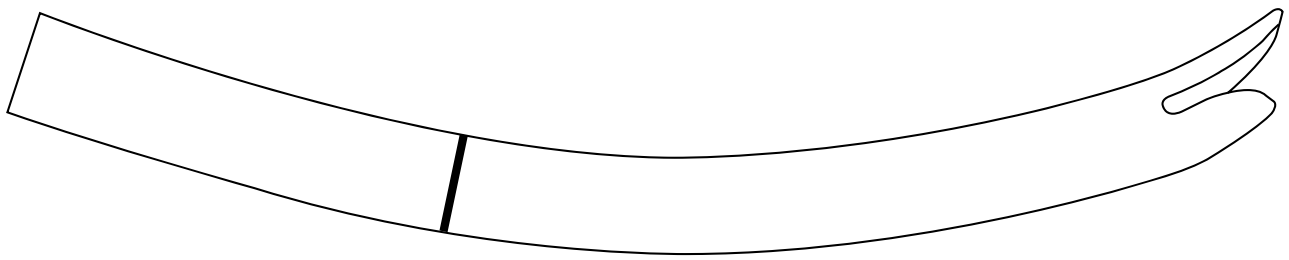
Cleaning Brushes213

Active Cord214



Zenker's Diverticulum Overtube

The Zenker's Diverticulum Overtube is intended to act as a diverticuloscope for the purpose of creating a diverticulotomy in patients with Zenker's Diverticulum.



Order Number	Reference Part Number	Length	Diameter	Quantity
G32631	ZDO-22-30	30 cm	22 mm	1

Some products or part numbers may not be available in all markets. Contact your local Cook representative or Customer Service for details.

Classic Cotton® CannulaTome®

Order Number	Reference Part Number	Catheter Size Fr	Tip Shape	Catheter Length cm	Wire Guide Diameter inch	Cutting Wire Length mm	Cutting Wire Type	Minimum Accessory Channel mm
G22732	CCPT-25ME	6-5	taper	320	.035	25	monofilament	2.8

Some products or part numbers may not be available in all markets. Contact your local Cook representative or Customer Service for details regarding: stock/non-stock status (expect longer lead time if non-stock), pricing and/or availability.

Active cord (page 214) available separately.

Zimmon® Needle Knife Papillotome

Order Number	Reference Part Number	Catheter Size Fr	Catheter Length cm	Wire Guide Diameter inch	Cutting Wire Length mm	Minimum Accessory Channel mm
G22717	PTW-1E	5	320	.035	7	2

Some products or part numbers may not be available in all markets. Contact your local Cook representative or Customer Service for details regarding: stock/non-stock status (expect longer lead time if non-stock), pricing and/or availability.

Active cord (page 214) available separately.

Tri-Ex® Multiple Size Extraction Balloon

Order Number	Reference Part Number	Catheter Size Fr	Catheter Length cm	Balloon Diameter mm	Wire Guide Diameter inch	Injection Port	Minimum Accessory Channel mm
G50695	TXR-ME	6.6	275	8.5 12 15	.035	above balloon	3.2

Some products or part numbers may not be available in all markets. Contact your local Cook representative or Customer Service for details regarding: stock/non-stock status (expect longer lead time if non-stock), pricing and/or availability.

Caution: This product contains natural rubber latex, which may cause allergic reactions.

Soehendra® Biliary Dilation Catheter

Order Number	Reference Part Number	Catheter Size Fr	Catheter Length cm	Taper Length cm	Wire Guide Diameter inch	Minimum Accessory Channel mm
G50800	SBDC-7E	6.9-4	278	3	.035	2.8

Some products or part numbers may not be available in all markets. Contact your local Cook representative or Customer Service for details regarding: stock/non-stock status (expect longer lead time if non-stock), pricing and/or availability.

Glo-Tip® ERCP Catheter

Order Number	Reference Part Number	Catheter Size Fr	Tip Shape	Catheter Length cm	Stylet Length cm	Wire Guide Diameter inch	Minimum Accessory Channel mm
G22719	GT-1-TE	5.5-4.5	taper	320	220	.035	2.8

Some products or part numbers may not be available in all markets. Contact your local Cook representative or Customer Service for details regarding: stock/non-stock status (expect longer lead time if non-stock), pricing and/or availability.

Tracer Metro® Direct™ Wire Guide

Order Number	Reference Part Number	Wire Guide Diameter inch	Wire Guide Length cm	Radiopaque Tip Length cm	Hydrophilic Coating Length cm	Tip Shape
G50660	METII-35-600E	.035	600	5	5	straight

Some products or part numbers may not be available in all markets. Contact your local Cook representative or Customer Service for details regarding: stock/non-stock status (expect longer lead time if non-stock), pricing and/or availability. May be left in place during sphincterotomy.

Caution: Not for use with metal tip devices.

OASIS® One Action Stent Introduction System

Order Number	Reference Part Number	Pushing Catheter Size Fr	Guiding Catheter Size Fr	Guiding Catheter Length cm	Wire Guide Diameter inch	Minimum Accessory Channel mm
G25146	OA-8.5E	8.5	5	318	.035	3.2
G25147	OA-10E	10	6	320	.035	3.7

Some products or part numbers may not be available in all markets. Contact your local Cook representative or Customer Service for details regarding: stock/non-stock status (expect longer lead time if non-stock), pricing and/or availability.

Compatible with ST-2 Soehendra Tannenbaum® (page 115), Cotton-Huibregtse® (page 104) and Cotton-Leung® (page 108) stents.

With four radiopaque bands 5 cm apart.

Stent Introducer Sets

Order Number	Reference Part Number	Pushing Catheter Size Fr	Pushing Catheter Length cm	Guiding Catheter Size Fr	Guiding Catheter Length cm	Wire Guide Diameter inch	Minimum Accessory Channel mm
Pushing Catheter							
G22715	PC-5E	5	320	n/a	n/a	.035	2
G22716	PC-7E	7	320	n/a	n/a	.035	2.8

Some products or part numbers may not be available in all markets. Contact your local Cook representative or Customer Service for details regarding: stock/non-stock status (expect longer lead time if non-stock), pricing and/or availability.

Components sold separately.

Quantum TTC® Biliary Balloon Dilator

Order Number	Reference Part Number	Catheter Size Fr	Catheter Length cm	Wire Guide Diameter inch	Balloon Diameter mm/Fr	Pressure atm	Pressure psi	Minimum Accessory Channel mm
G22765	QBD-6X3-E	6.8-5.5	320	.035	6/18	8	120	2.8
G22766	QBD-8X3-E	6.8-5.5	320	.035	8/24	8	120	2.8
G22767	QBD-10X3-E	6.8-5.5	320	.035	10/30	6	90	2.8

Some products or part numbers may not be available in all markets. Contact your local Cook representative or Customer Service for details regarding: stock/non-stock status (expect longer lead time if non-stock), pricing and/or availability.

Balloon length 3 cm.

Recommended for use with the Quantum Biliary Inflation Device (page 78).

Disposable Varices Injector

Order Number	Reference Part Number	Needle gauge	Needle Tip Extension mm	Catheter Size Fr	Catheter Length cm	Type of Handle	Accessory Introducer Included	Minimum Accessory Channel mm
G22722	LDVI-23E	23	4	7	320	luer slip	n/a	2.8
G22723	LDVI-25E	25	4	7	320	luer slip	n/a	2.8

Some products or part numbers may not be available in all markets. Contact your local Cook representative or Customer Service for details regarding: stock/non-stock status (expect longer lead time if non-stock), pricing and/or availability.

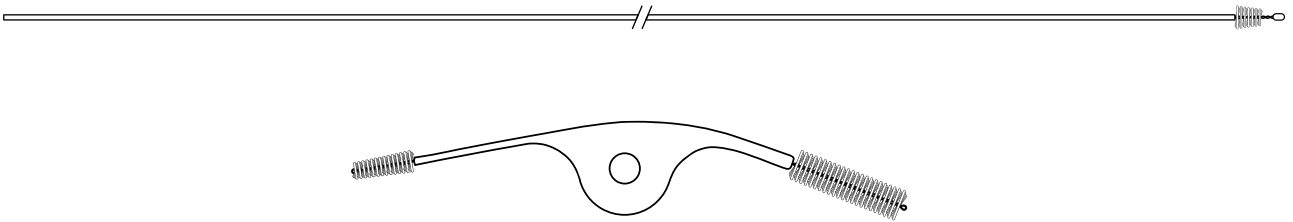


Disposable Endoscopic Cleaning Brush

Used for cleaning the accessory channels of endoscopes.

Endoscope valves, valve-housings and connectors can be cleaned using the Disposable Valve Cleaning Brush.

This device is supplied non-sterile and is disposable - intended for single use only.



Order Number	Reference Part Number	Channel Brush Diameter mm	Valve Brush Length mm	Cable Length cm	Brush Type	Box Quantity	Minimum Accessory Channel mm
G30651	DCB-S-50	6.5-5	n/a	240	single end	50	2
G30652	DCB-D-50	6.5-5	n/a	240	double end	50	2
G30715	DCB-SV-50	6.5-5	10 6-4.5	240	single end	50	2
G30714	DCB-DV-50	6.5-5	10 6-4.5	240	double end	50	2

Some products or part numbers may not be available in all markets. Contact your local Cook representative or Customer Service for details regarding: stock/non-stock status (expect longer lead time if non-stock), pricing and/or availability.

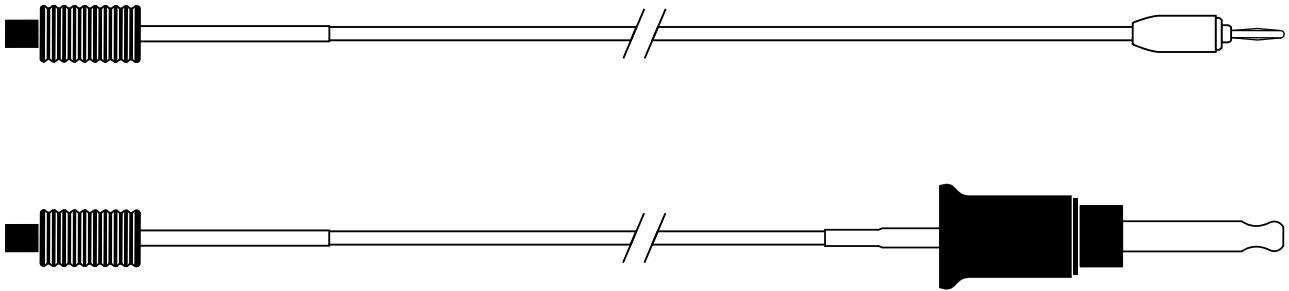


Active Cord

Cross reference to other manufacturers.

Universal adapters require ACU-1.

This device is supplied non-sterile and is reusable if the device integrity is intact.



Order Number	Reference Part Number	Compatible Electrocautery Units
G21485	ACU-1	Darval Ellman Elmed Fougsuj Martin Surgitron Wolfe
G22092	ACU-1-VL	ACMI AS & 400 Series Aspen/Zimmer Bard Bovie AG Birtcher (Various) Burdick SU 7 & 8 CSV Concept Conmed Davol EMS Endostat Endostat II ERBE* Meditron Neomed Pentax CGI-4000 Ritter Valley Lab Wappler 3M

Some products or part numbers may not be available in all markets. Contact your local Cook representative or Customer Service for details regarding: stock/non-stock status (expect longer lead time if non-stock), pricing and/or availability.

*Not all models of this brand may be compatible with the ACU-1-VL, please check with your local Cook representative if you need assistance.

Quick Reference

A

AWG2.....	29
ACU.....	214
AS.....	165, 168
ASDB.....	167
ASH.....	165
ASJ.....	165
ASM.....	165
ASMH.....	165

B

BCB.....	183, 194
BCP.....	154
BF.....	158
BFA.....	208

C

CBSO.....	103
CCB.....	183
CCPT.....	42, 210
CDSG.....	184
CDSM.....	185
CGDC.....	81
CGF.....	164
CHBS.....	104
CHBSO.....	106
CID.....	79, 174
CLBS.....	108
CLSO.....	111
CLSO-SF.....	114
CST.....	89
CT.....	40, 41

D

DASH.....	38, 64
DBF.....	160, 193
DCB.....	213
DLB.....	85
DS.....	176
DSA.....	58
DT.....	157
DVI.....	156
DWG.....	34

E

EBL.....	63
ECB.....	183
ECHO.....	141, 142, 143, 144, 145, 146, 147
ECL.....	177
ENBD.....	87
ERCP.....	55, 56
EVO.....	91, 92, 93, 186, 187, 188, 189, 190

F

FLOW.....	199, 200, 203, 204
FLOWJ.....	206
FS.....	20, 37, 60
FS-25M.....	15, 37
FS-BDB.....	23, 76
FS-BDC.....	24, 80
FS-CB.....	25, 84
FS-GT.....	17, 18, 49, 50
FS-LT.....	13, 32
FS-LXB.....	21, 65
FS-OA.....	26, 96
FS-OMNI.....	14, 36
FS-PC.....	27, 97
FS-PRECUT.....	16, 45
FS-QEB.....	19, 59
FSW.....	12, 31
FS-WL.....	11
FS-XB.....	22, 66

G

GC.....	100
GEPD.....	122
GGDC.....	82
GPDS.....	128
GPSO.....	125
GPSOS.....	129
GPSO-SF.....	130
GPSOS-SF.....	131
GT.....	51, 52, 53, 54, 191, 210

H

HBAN.....	86
HBD.....	170
HBD-W.....	171
HDBF.....	163
HEMO.....	149
HGC.....	99
HMBL.....	153
HPC.....	46, 47
HRC.....	57

I

INSC.....	150
-----------	-----

J

JPWS.....	139
-----------	-----

L

LDVI.....	156, 212
-----------	----------

M

MB5	72
MBL.....	152
MBL-U.....	151
METII	30, 211
MPB	169
MSB	68, 69
MSB5	70
MWB.....	71

N

NJFT	207
NPDS	88

O

OA.....	98, 211
OACL.....	101
OATS	102

P

PC.....	100, 211
PEG	197, 198, 201, 202
PEGJ	205
PTG	44
PTW.....	48, 210

Q

QBD.....	77, 211
QBID.....	78
QD	172
QDC.....	173
QID	175

R

RR.....	33
---------	----

S

SAS	166
SASH.....	166
SASJ	166
SASM.....	166
SASMH.....	166
SASMM	166
SBDC	83, 210
SBRD.....	195
SCB	178
SGD	179, 180
SGDC.....	180
SGDW.....	180
SGW.....	181
SIS	100
SLC.....	75
SLH.....	75
SOM.....	90
SPSOF	137
SPSOS	132
SSR.....	140

T

THSF	35
TRI.....	39
TTCL.....	74
TTSO	115
TX.....	62
TXR	61,210

U

UFA.....	208
UTS	43

V

VIN.....	155
----------	-----

W

WCAB.....	182
WCMB.....	73
WEB.....	67

Z

ZDO	209
ZEBD.....	118
ZEPDF.....	133
ZEPDS.....	135
ZILBS.....	94, 95
ZPSOF	134
ZPSOS	136
ZSO.....	120
ZSS.....	117



Customer Service

EU Website: cookmedical.eu
EDI: cookmedical.eu/edi
Distributors: +353 61239240, ssc.distributors@cookmedical.com
Austria: +43 179567121, oe.orders@cookmedical.com
Belgium: +32 27001702, be.orders@cookmedical.com
Denmark: +45 38487607, da.orders@cookmedical.com
Finland: +358 972519996, fi.orders@cookmedical.com
France: +33 171230269, fr.orders@cookmedical.com
Germany: +49 6950072804, de.orders@cookmedical.com
Hungary: +36 17779199, hu.orders@cookmedical.com
Iceland: +354 800 7615, is.orders@cookmedical.com
Ireland: +353 61239252, ie.orders@cookmedical.com
Italy: +39 0269682853, it.orders@cookmedical.com
Netherlands: +31 202013367, nl.orders@cookmedical.com
Norway: +47 23162968, no.orders@cookmedical.com
Spain: +34 912702691, es.orders@cookmedical.com
Sweden: +46 858769468, se.orders@cookmedical.com
Switzerland - French: +41 448009609, fr.orders@cookmedical.com
Switzerland - Italian: +41 448009609, it.orders@cookmedical.com
Switzerland - German: +41 448009609, de.orders@cookmedical.com
United Kingdom: +44 2073654183, uk.orders@cookmedical.com

USA Website: cookmedical.com
EDI: cookmedical.com/edi.do
Americas:
Phone: +1 812.339.2235, 800.457.4500, Fax: 800.554.8335
E-mail: orders@cookmedical.com
Australia:
Phone: +61 734346000, 1800777222, Fax: +61 734346001, 1800077283
E-mail: cau.custserv@cookmedical.com



AI, ESC, IR, OHNS, PI, RH, SUR-A4