

2015-16 Product Guide

Endoscopic Accessories



www.cookmedical.com

Scan here for the latest
product updates.



Table of contents

General Information

Biliary/Pancreatic

Wire Guide Locking Device

Fusion® Wire Guide Locking Device.....	13
--	----

Wire Guides

Acrobat® Calibrated Tip Wire Guide.....	14
Tracer Metro® Direct™ Wire Guide	15
Tracer Metro® Wire Guide	16
Fusion® Wire Guide	17
Fusion® LoopTip™ Wire Guide.....	18
Roadrunner® Extra Support Wire Guide.....	19
Delta Wire® Fully Hydrophilic Coated Wire.....	20
Tracer Hybrid® Wire Guide.....	21
Standard Wire Guide.....	22

Sphincterotomes

Fusion® OMNI™ Sphincterotome with DomeTip® ..	23
Fusion® IDE-Tome Sphincterotome with DomeTip®	24
D.A.S.H.® Sphincterotome with DomeTip®	25
Tri-Tome pc® Triple Lumen Sphincterotome	26
Cannulotome II® Double Lumen Sphincterotome....	27
Cotton CannulaTome II® PreCurved Double Lumen Sphincterotome.....	28
Classic Cotton® CannulaTome®	29
Mini-Tome® Double Lumen Sphincterotome	30
UTS® Ultra Taper Sphincterotome	31
Wire Guided Sphincterotome.....	32
Billroth II Sphincterotome.....	33
Soehendra® BII Sphincterotome	34
Fusion® Needle Knife	35
Huibregtse® Single Lumen Needle Knife.....	36
Huibregtse® Triple Lumen Needle Knife.....	37
Zimmon® Needle Knife Papillotome.....	38

Catheters

Fusion® OMNI™ ERCP Catheter with DomeTip®	39
Fusion® ERCP Catheter with DomeTip®	40
Glo-Tip II® Double Lumen ERCP Catheter	41
Glo-Tip II® Double Lumen ERCP Catheter with Radiopaque Bands	42
Glo-Tip® ERCP Catheter.....	43
Glo-Tip® ERCP Catheter with Radiopaque Bands	44
Classic ERCP Catheter.....	45
Huibregtse-Katon® ERCP Catheter	46
D.A.S.H.® ERCP Catheter	47
Haber RAMP™ Catheter	48
Cunningham-Cotton™ Sleeve	49
Side Arm Adapter	50

Extraction

Fusion® Quattro® Extraction Balloon	51
Fusion® Extraction Balloon.....	52
Tri-Ex® Multiple Size Extraction Balloon	53
Tri-Ex® Triple Lumen Extraction Balloon.....	54
Escort II® Multiple Size Extraction Balloon	55
Escort II® Double Lumen Extraction Balloon.....	56
D.A.S.H.® Extraction Balloon with Multiple Sizing ...	57
Bouncer™ Multi-Path Occlusion Balloon	58
Fusion® Lithotripsy Extraction Basket.....	59
Fusion® Extraction Basket	60
The Web® Extraction Basket	61
Memory Basket® 7 Fr Soft Wire	62
The Web® II Double Lumen Extraction Basket.....	63
Memory Basket® 5 Fr Soft Wire	64
Memory Basket® 7 Fr Hard Wire.....	65
Memory Basket® Eight Wire.....	66
Mini Basket	67
Conquest TTC® Lithotripter Cable	68
Soehendra® Lithotripter	69

Dilation

Fusion® Titan™ Biliary Dilation Balloon	70
Quantum TTC® Biliary Balloon Dilator.....	71
Quantum™ Biliary Inflation Device	72
Fusion® Biliary Dilation Catheter.....	73
Cotton® Graduated Dilation Catheter.....	74
Geenen® Graduated Dilation Catheter.....	75
Soehendra® Biliary Dilation Catheter.....	76

Cytology

Fusion® Cytology Brush.....	77
CytoMax II® Double Lumen Cytology Brush	78
Howell Biliary Introducer.....	79
Howell Biliary Introducer Brush	80
Howell Biliary Introducer Forceps	81
Howell Biliary Introducer Needle	82
Howell Biliary Aspiration Needle.....	83
Cystotome® Cystoenterostomy Needle Knife.....	84

Drainage

Nasal Biliary Drainage Sets.....	85
Nasal Pancreatic Drainage Set.....	86

Manometry

Biliary Manometry Catheter Set.....	87
Lehman Sphincter of Oddi Manometry Catheter	88

Metal Stents

Evolution® Biliary Controlled-Release Stent - Uncovered.....	89
Evolution® Biliary Controlled-Release Stent - Fully Covered.....	90
Evolution® Biliary Controlled-Release Stent - Partially Covered.....	91
Zilver 635® Biliary Self-Expanding Stent	92
Fusion® Zilver® Biliary Self-Expanding Stent.....	93
Zilver® Biliary Self-Expanding Stent.....	94

Plastic Stents

Fusion® OASIS® One Action Stent Introduction System.....	95
Fusion® Pushing Catheter.....	96
OASIS® One Action Stent Introduction System	97
Huibregtse® Guiding Catheter	98
Stent Introducer Sets.....	99
Oasis® One Action Stent Introduction System Preloaded with Cotton-Leung® Biliary Stent.....	100
Oasis® One Action Stent Introduction System Preloaded with ST-2 Soehendra Tannenbaum® Biliary Stent	101
Compass BDS™ Biliary Plastic Stent.....	102
Cotton-Huibregtse® Biliary Stent Sets.....	103
Cotton-Huibregtse® Biliary Stent Only.....	105
Cotton-Leung® Biliary Stent Sets	107
Cotton-Leung® Biliary Stent only	110
Cotton-Leung® Sof-Flex® Biliary Stent	113
ST-2 Soehendra Tannenbaum® Biliary Stent.....	114
Solus® Double Pigtail Stent with Introducer.....	116
Zimmon® Biliary Stent Sets.....	117
Zimmon® Biliary Stent only.....	119
Geenen® Pancreatic Stent Sets.....	121
Geenen® Pancreatic Stent only.....	124
Geenen® Pancreatic Stent Sets with No Internal Flap	127
Geenen® Pancreatic Stent only with No Internal Flap	128
Geenen® Sof-Flex® Pancreatic Stent.....	129
Geenen® Sof-Flex® Pancreatic Stent with No Internal Flap	130
Zimmon® Pancreatic Stent with No Ductal Flap.....	131
Zimmon® Pancreatic Stent Sets	132
Zimmon® Pancreatic Stent only	133
Zimmon® Pancreatic Stent Sets	134
Zimmon® Pancreatic Stent only	135
Zimmon® Pancreatic Stent.....	136
Johlin™ Pancreatic Wedge Stent	138
Soehendra® Stent Retriever	139

Endoscopic Ultrasound

Needles

EchoTip ProCore® HD Ultrasound Biopsy Needle.....	141
EchoTip® Ultra HD Endoscopic Ultrasound Needle.....	142
EchoTip® Ultra Celiac Plexus Neurolysis Needle.....	143
EchoTip® Ultra HD Ultrasound Access Needle.....	144
EchoTip® Ultra HD Endobronchial Ultrasound Needle.....	145
EchoTip ProCore® HD Endobronchial Ultrasound Biopsy Needle.....	146
Giovannini Needle Wire.....	147

Brush

EchoBrush™ Endoscopic Ultrasound Brush.....	148
---	-----

Hemostasis

Spray

Hemospray® Endoscopic Hemostat.....	149
-------------------------------------	-----

Clips

Instinct™ Endoscopic Hemoclip.....	150
------------------------------------	-----

Ligation

6 Shooter® Universal Saeed® Multi-Band Ligator....	151
6 Shooter® Saeed® Multi-Band Ligator.....	152
ShortShot® Saeed Hemorrhoidal Multi-Band Ligator with TriView Anoscope™.....	153

Probes

Quicksilver® BiPolar Probe.....	154
---------------------------------	-----

Needles

AcuJect® Variable Injection Needle.....	155
Disposable Varices Injector.....	156
Disposable Varices Injector.....	157
InjectaFlow® Variable Injection Needle.....	158
Submucosal Injection Needle.....	159

Esophageal/Gastric/Colonic

Forceps

Captura® Biopsy Forceps.....	161
Captura® Disposable Hot Biopsy Forceps.....	164
Caesar® Grasping Forceps.....	165
HotMaxx® Reusable Hot Biopsy Forceps.....	166
Maxum® Reusable Forceps.....	167
MAX2® Reusable Forceps.....	168

Snares

AcuSnare® Polypectomy Device.....	169
AcuSnare® Polypectomy Device - Duck Bill.....	171
AcuSnare® Polypectomy Device - Needle Tip.....	172
Sonnet® Short-Throw Polypectomy Snare.....	173
Memory Basket® Polyp Retriever.....	174

Dilation

Hercules® 3 Stage Balloon.....	175
Hercules® 3 Stage Wire Guided Balloon.....	176
Quantum TTC® Balloon Dilator.....	177
Quantum™ Inflation Device.....	179
Dilation Syringe.....	180
Eclipse™ TTC Wire-Guided Balloon Dilator.....	181
Savary Cleaning Brush.....	182
Savary-Gilliard® Dilator.....	183
Savary-Gilliard® Dilator Sets.....	184
Savary-Gilliard® Wire Guide.....	185
Achalasia Balloon.....	186

Cytology

Cytology Brush.....	187
---------------------	-----

Decompression

14 Fr Colon Decompression Set.....	188
Marcon Colon Decompression Set.....	189
Brodmerkel Colon Decompression Set.....	190

Metal Stents

Evolution® Esophageal Controlled-Release Stent - Partially Covered	191
Evolution® Esophageal Controlled-Release Stent - Fully Covered with Benign Indication	192
Evolution® Esophageal Controlled-Release Stent - Fully Covered	193
Evolution® Duodenal Controlled-Release Stent - Uncovered	194
Evolution® Colonic Controlled-Release Stent - Uncovered	195
Esophageal Z-Stent® with Dua Anti-Reflux Valve	196

EMR

Duette® Multi-Band Mucosectomy	197
--------------------------------------	-----

Spray Catheter

Glo-Tip® Spray Catheter	198
-------------------------------	-----

Pulmonary**Forceps**

Captura® Disposable Bronchoscope Biopsy Forceps	199
---	-----

Cytology Brush

Cytology Brush	200
----------------------	-----

Enteral**PEG/PEGJ**

PEG 24® Push Method with Safety Sharps	201
PEG 24® Pull Method with Safety Sharps	202
Flow 20® Push Method with Safety Sharps	203
Flow 20® Pull Method with Safety Sharps	204
PEG 24® Push Method	205
PEG 24® Pull Method	206
Flow 20® Push Method	207
Flow 20® Pull Method	208
PEG 24® Jejunal	209
Flow 20® Jejunal	210
Nasal Jejunal Feeding Tube	211
Universal and Bolus Feeding Adapters	212

PEG Replacement Devices

Triton™ Balloon Replacement Gastrostomy Tube	213
Balloon Replacement Gastrostomy Tube	214
Passport® Low Profile Gastrostomy Device	215
Passport® Patient Care Kit	216

Miscellaneous**Cleaning Brushes**

Disposable Endoscopic Cleaning Brush	217
Rainbow™ Endoscopic Cleaning Brush	218

Active Cord

Active Cord	219
-------------------	-----

Fusion Dual Platform**Wire Guide Locking Device**

Fusion® Wire Guide Locking Device	13
---	----

Wire Guides

Fusion® Wire Guide	17
Fusion® LoopTip™ Wire Guide	18

Sphincterotomes

Fusion® OMNI™ Sphincterotome with DomeTip®	23
Fusion® IDE-Tome Sphincterotome with DomeTip®	24
Fusion® Needle Knife	35

Catheters

Fusion® OMNI™ ERCP Catheter with DomeTip®	39
Fusion® ERCP Catheter with DomeTip®	40

Extraction

Fusion® Quattro® Extraction Balloon	51
Fusion® Extraction Balloon	52
Fusion® Lithotripsy Extraction Basket	59
Fusion® Extraction Basket	60

Dilation

Fusion® Titan™ Biliary Dilation Balloon	70
Fusion® Biliary Dilation Catheter	73

Cytology

Fusion® Cytology Brush	77
------------------------------	----

Metal Stents

Fusion® Zilver® Biliary Self-Expanding Stent.....	93
---	----

Plastic Stents

Fusion® OASIS® One Action Stent Introduction System	95
Fusion® Pushing Catheter.....	96

Long Length Devices**Sphincterotomes**

Classic Cotton® CannulaTome®	29
Zimmon® Needle Knife Papillotome.....	38

Catheter

Glo-Tip® ERCP Catheter.....	43
-----------------------------	----

Wire Guide

Tracer Metro® Direct™ Wire Guide	15
--	----

Stent Introducers

OASIS® One Action Stent Introduction System	97
Stent Introducer Sets	99

Dilation

Quantum TTC® Biliary Balloon Dilator.....	71
Soehendra® Biliary Dilation Catheter	76
Quantum TTC® Esophageal Balloon Dilator	177

Extraction

Tri-Ex Multiple Size Extraction Balloon	53
---	----

Probes

Quicksilver® BiPolar Probe	154
----------------------------------	-----

Needles

Disposable Varices Injectors	156
------------------------------------	-----

General Information

How to Place an Order

All orders are processed by the appropriate Cook customer service center below, as determined by your location. A list of distributors for various countries is available upon request or at www.cookmedical.com. **Please note: Not all products are available for sale in all regions. Please contact your local customer service center for more information.**

Customer Service Centers

Americas

Orders should be directed to Cook Medical Incorporated by mail, phone, fax, e-mail or EDI.

Cook Medical Incorporated

PO Box 4195
Bloomington, IN 47402-4195, USA
Phone: 812.339.2235
800.457.4500
Fax: 800.554.8335
E-mail: orders@cookmedical.com
EDI: www.cookmedical.com/edi.do

Customer service lines (800.457.4500) are available weekdays (excluding national holidays) between the hours of 8:00 am and 7:00 pm EST.

Australia

Orders should be directed to Cook Medical Australia Pty. Ltd. by mail, phone, fax or e-mail.

Cook Medical Australia Pty. Ltd.

Brisbane Technology Park
95 Brandl Street, Eight Mile Plains
Brisbane, QLD 4113 AUSTRALIA
Phone: +61 738411188
1800777222
Fax: 1800077283
E-mail: cau.custserv@cookmedical.com
E-mail: cau.intl@cookmedical.com

Customer service phone lines are available (excluding national holidays) weekdays between the hours of 07:00 and 17:00 AEST.

Europe

Orders should be directed to Cook Europe Shared Service Centre by mail, phone, fax, e-mail or EDI.

Cook Europe Shared Service Centre

O'Halloran Road
National Technology Park
Limerick, Ireland
Phone: +353 61239240
Fax: +353 61239253
E-mail: ssc.distributors@cookmedical.com
EDI: www.cookmedical.com/edi.do

Customer service lines (800.457.4500) are available weekdays (excluding national holidays) between the hours of 8:00 am and 7:00 pm EST.

General information

Shared Service Centre by Country:

Country	Phone	Fax	E-mail
Austria	+43 179567121	+43 179567126	oe.orders@cookmedical.com
Belgium/French	+32 27001633	+32 27001634	be.orders@cookmedical.com
Belgium/Flemish	+32 27001633	+32 27001634	nl.orders@cookmedical.com
Denmark	+45 38487607	+45 38487608	da.orders@cookmedical.com
Distributors	+353 61239240	+353 61239227	ssc.distributors@cookmedical.com
France	+33 171230269	+33 171230270	fr.orders@cookmedical.com
Germany	+49 6950072804	+49 6950072805	de.orders@cookmedical.com
Hungary	+36 17779199	+36 17779200	hu.orders@cookmedical.com
Ireland	+353 61239252	+353 61239253	ie.orders@cookmedical.com
Italy	+39 0269682853	+39 0269682854	it.orders@cookmedical.com
Netherlands	+31 202013367	+31 202013368	nl.orders@cookmedical.com
Norway	+47 23162968	+47 23162969	no.orders@cookmedical.com
Spain	+34 912702691	+34 912702692	es.orders@cookmedical.com
Sweden	+46 858769468	+46 858769467	se.orders@cookmedical.com
Switzerland/French	+41 448009609	+41 448009610	fr.orders@cookmedical.com
Switzerland/Italian	+41 448009609	+41 448009610	it.orders@cookmedical.com
Switzerland/German	+41 448009609	+41 448009610	de.orders@cookmedical.com
United Kingdom	+44 2073654183	+44 2073654184	uk.orders@cookmedical.com

Customer service lines are available (excluding national holidays)
Monday through Thursday between the hours of 08:30 CET and
17:30 CET, and from 08:30 CET to 16:00 CET on Fridays.

**Please note: For all other countries, contact the nearest
customer service center, your local Cook Medical representative
or distributor.**

Healthcare Business Solutions

Cook Medical's Healthcare Business Solutions (HBS) team is available to collaborate with you to address your hospital's specific needs and help you achieve maximum business performance. We have identified significant opportunities to improve supply challenges by streamlining operations, standardizing your products and optimizing utilization of existing resources. For more information, please contact us at 800.457.4500 or hbs@cookmedical.com (U.S. only). For customers outside the U.S., please contact your local customer service center to be connected with the appropriate HBS contact.

Order Number

Every catalog item has both a six-character order number and a reference part number. Either of these numbers can be used when placing orders.

Special Order Items

Cook manufactures special order (nonstock) items to help meet your institution's individual needs. These items may be subject to a price increase and a minimum order quantity to cover order processing considerations. Please note: Special order items are nonreturnable.

EDI Ordering

By ordering through Cook's EDI system, you can eliminate document rekeying and paper, and reduce ordering lead time, stock handling and many other manual processes. Using your Cook customer account and global product number, we work directly with you or your distributor to provide start-to-finish electronic ordering. For more information on EDI connection protocols, please contact us at 800.457.4500 ext. 6353 or ediadmin@cookmedical.com (U.S. only). For customers outside the U.S., please contact your local customer service center to determine whether EDI is available in your area.

Shipments and Terms

Delivery Information and Fees

North America

Items are normally shipped Federal Express standard overnight or UPS. There are no shipping charges associated with orders of \$200 or more. Domestic orders less than \$200, priority shipments and all international shipments are shipped FOB Bloomington, Indiana. Terms are net 30 days. All prices are subject to change without notice.

Latin America

Please consult your local Cook Medical representative or distributor.

Europe

Orders for stock items are usually shipped on the day of order confirmation. Nonstock items will be subject to longer delivery times. For standard delivery terms, please refer to your local customer service center. Express deliveries of stock items can be arranged for and will be subject to additional freight charges. For European shipping terms, please refer to the relevant country's standard business procedures or contact your local customer service office.

Australia

Stock item orders are usually shipped within 48 hours. Nonstock item orders will be subject to longer lead times. There are no shipping charges associated with orders of a net value of \$500 (AUD) or greater; a \$30 + GST charge will be placed on orders with a net value below \$500 (AUD). Urgent deliveries of stock items can be arranged by contacting Customer Service by telephone and may be subject to additional handling and delivery charges. Terms are 30 days net from the end of the invoice month. For full terms, please contact customer service at cau.custserv@cookmedical.com.

Asia Pacific

Please consult your local Cook Medical representative or distributor.

Standing Order Shipments

The standing order shipments (SOS) program simplifies ordering and shipping of regularly purchased products. Products ordered routinely and in predictable quantities, or special order (nonstock) products needed on a regular basis can be scheduled to ship monthly or at a different interval of your choice. This ensures that your order will be received routinely at the designated time. If you are overstocked and do not need your next SOS shipment, simply call 30 days prior to the scheduled ship date and have the order held until your next scheduled shipment. As a customer of the SOS program, your pricing is held firm for the 12-month period from when you first start ordering, during which time you are protected from price increases. The SOS program is not a contract and can be cancelled in its entirety with a 30-day notice prior to your next scheduled shipment. If you would like to know more about our standing order shipments program, or if you are interested in establishing an SOS order, please contact your local customer service center or your Cook representative.

Returned Goods Policy

Cook will accept return of any stock item within 90 days of the original invoice date; however, we will not accept return of nonstock items. Prior authorization for all returned items is required. To obtain a return authorization number, contact your local customer service center or distributor. A request for return of products must specify reason for return, order number, quantity, lot number and invoice number. All returned products must be received in their original, unopened packages,

General information

undamaged and packed appropriately for shipping. Items must be in salable condition and suitable for restocking. Returned products must be accompanied by the original order invoice, packing slip or facsimile. Returned items may be subject to a reprocessing charge that varies by geographic location. Full credit will be given for any item returned due to a processing error by Cook. Packages returned to Cook should be marked with the return authorization number on the outside of the package and shipped to the appropriate Cook location to the attention of Returned Goods.

Product Information

Product Use Information

For information concerning indications, contraindications, warnings, precautions and suggested instructions for use, refer to appropriate product-specific labeling.

Product Testing

All products for embryo culture, embryo transfer, gamete intrafallopian transfer, micro-manipulation and ovum aspiration are batch tested for toxicity using one- or two-cell mouse embryo assay (MEA) and endotoxin tested using limulus amoebocyte lysate (LAL) assay unless otherwise noted. Please refer to packaging label for specific testing information.

Packaging and Sterilization Notice

All products are supplied sterile in peel-open packages and are intended for one-time use unless otherwise noted.

Product Storage

Cook products should be stored in a dark, cool and dry place or refrigerated where indicated. Extended periods of exposure to light may result in degradation of some plastic materials and should be avoided. Extended periods of elevated temperature can reduce a product's shelf life and should also be avoided.

Product Expiration

Most Cook products carry an expiration date on the label that is based on concerns for product integrity. The expiration date is typically given as year/month or year/month/day and indicates the date by which the product should be used. Use during the month or day indicated is acceptable.

Product Changes

Cook reserves the right to change or discontinue any product without notice; however, we can recommend alternatives if one of your products has been discontinued.

Product Warranty

Cook warrants that at the time of manufacture, products were prepared and tested in accordance with quality system regulations specified by the appropriate

global regulatory body and were true to label. Because of biological differences in individuals, no product is 100% effective under all circumstances. In addition, because we have no control of the conditions under which the product is used, diagnosis of the patient, and the method of use or administration and handling of the product after it leaves our possession, we do not warrant either a good effect or against an ill effect following the product's use. The foregoing warranty is exclusive and in lieu of all other warranties either written, oral or implied (including any warranties of merchantability or fitness for purpose). No representative of the company may change any of the foregoing, and the buyer accepts the product subject to all terms hereof.

Product Performance

Cook is dedicated to providing our customers with excellent quality products delivered in a manner that meets their needs and expectations. However, we understand that in some cases, a service or product quality issue may occur. In these situations, it is requested that the customer communicate the issue to the Cook customer relations department. Customers outside of the U.S. should contact their local Customer Service department or distributor. If product is to be returned as a result of any failure to meet customer expectations, the appropriate return address and shipping information will be provided.

For complete Instructions for Use (IFUs) and more detailed product information, please visit our website: www.cookmedical.com.

Product Label

The information provided below is an explanation of reference symbols that can be found on a product label.



Catalog/Reference Part Number and Order Number



Non-sterile



Sterilization using ethylene oxide.



Manufacturer's Lot Number."



Date of Manufacture



Manufacturer



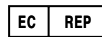
Use-by-Date



Do Not Reuse/Single Use Only (for disposable one-time use products)



Caution, Consult Instructions For Use



Authorized representative in the European Union.



Keep Away from Sunlight



Keep Dry



Phthalate



MR Conditional



Product Contains Latex

General information

Order Number Description

Now products may be ordered using the Order Number (Global Part Number) as well as the traditional Reference Part Number. A sample of the ordering information is below.

Order Number	Reference Part Number
G48675	FS-OMNI-21
G56103	FS-OMNI-21-260
G48676	FS-OMNI-21-480
G31903	FS-OMNI
G31911	FS-OMNI-35

Sterilization of Reusable Products Using an Autoclave

It is the responsibility of the institution that is operating sterilization equipment to validate the equipment. In order to sterilize a reusable product using an autoclave, it must first be properly cleaned and/or disinfected, and then packaged using AAMI recommended practices. During product handling, attention should be taken to coil products in an 8 inch diameter or greater. Do not place the original product packaging in an autoclave cycle; it will not withstand the sterilization temperature. Some products may not be autoclaved. Refer to product instruction or contact customer service for specific parameters regarding autoclave cycle sterilization methods.

Autoclave chamber loading should not exceed 10 products per cubic foot of chamber space or exceed the usable chamber space. If any damage to a product is noted, it should be taken out of service immediately.

Mark V System

All Cook Endoscopy products with the Mark V System have markings in 5 cm increments for endoscopic visualization.

Color Connection

Today is a time of rapid advancement in therapeutic biliary and pancreatic endoscopy. New and appropriate techniques have resulted from innovations in methodology and equipment. In the progressive forefront, Cook Endoscopy developed our unique Color Connection method to provide instant recognition of devices placed over specific-size wire guides.

Wire guide holders and accompanying devices display a corresponding color band. Employing a compatible, color-coded wire guide and accessory allows for smoother, more organized delivery of your over-the-wire accessories and the opportunity for improved patient care.

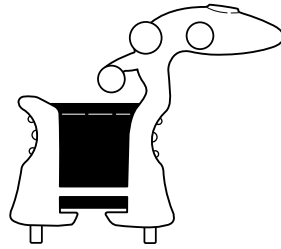
These guidelines represent suggestions for the use of accessories after a wire guide has been placed. They are, however, only guidelines.



Fusion® Wire Guide Locking Device

Used with endoscopic biliary devices to lock wire guide(s) in place during ERCP procedures.

- The power of wire guide control during cannulation and device exchange
- Built in wire lock cap potentially minimizes friction and leakage



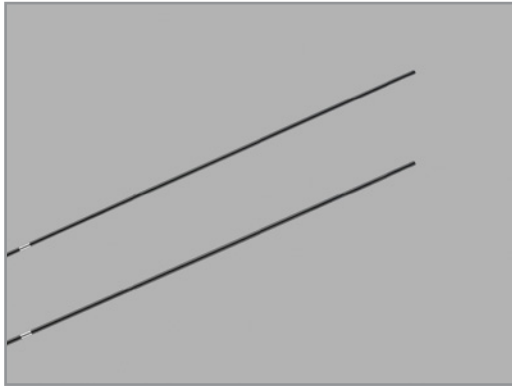
Order Number	Reference Part Number	Scope Compatibility	Box Quantity
G31522	FS-WL-O-S	Olympus® Fujinon®	10
G31540	FS-WL-P-S	Pentax®	10

Olympus® is a registered trademark of Olympus Corporation (Tokyo, Japan), Olympus America Inc. or their affiliated entities.

Fujinon® is a registered trademark of Fujinon Inc.

Pentax® is a registered trademark of Pentax Imaging Company.

Biliary/Pancreatic - Wire Guides

**Acrobot® Calibrated Tip Wire Guide**

Used to assist in cannulation of the biliary and pancreatic ducts and to aid in bridging difficult strictures during ERCP.

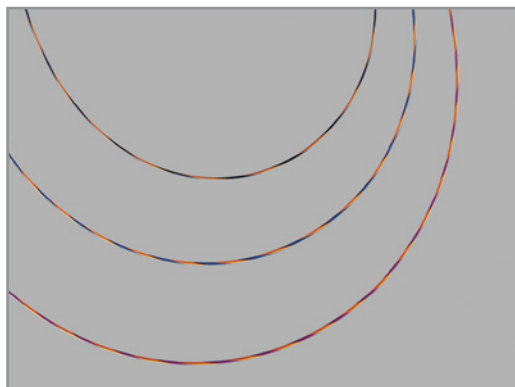
- Spring-coil design enhances flexibility
- Endoscopic markings indicate wire guide movement and allow measurement
- 25 cm hydrophilic coating facilitates lubricity, while the Teflon® body gives you full tactile control
- Back-loading indicator allows for a smooth transition to the next device of choice
- Nitinol core for kink resistance and shape retention

Order Number	Reference Part Number	Wire Guide Diameter inch	Wire Guide Length cm	Radiopaque Tip Length cm	Hydrophilic Coating Length cm	Tip Shape
G32758	ACRO-25-260	.025	260	4	25	straight
G32759	ACRO-25-450	.025	450	4	25	straight
G34264	ACRO-35-205	.035	205	4	25	straight
G34265	ACRO-35-260	.035	260	4	25	straight
G34266	ACRO-35-450	.035	450	4	25	straight

May be left in place during sphincterotomy.

Caution: Not for use with metal tip devices.

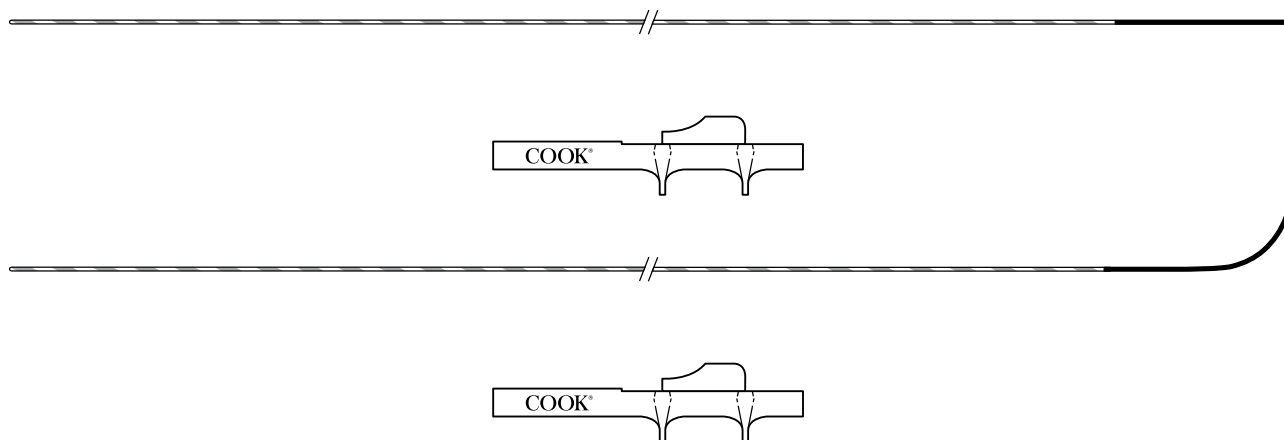
Teflon is a registered trademark of DuPont Corporation.



Tracer Metro® Direct™ Wire Guide

Used to assist in cannulation and to aid in bridging difficult strictures during ERCP.

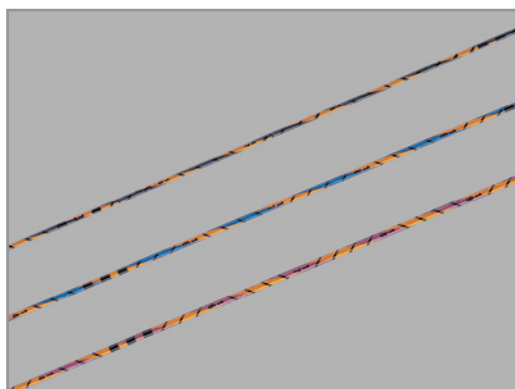
- Placement of the Tracer Metro Direct allows for continual access to the desired duct and facilitates exchange of compatible wire guided accessories
- Spiral markings provide endoscopic view of wire guide movement during cannulation
- 5 cm hydrophilic coated radiopaque tip provides smooth navigation with enhanced radiopacity
- Kink-resistant core delivers superior maneuverability
- Color Connection facilitates easy identification of compatible accessories



Order Number	Reference Part Number	Wire Guide Diameter inch	Wire Guide Length cm	Radiopaque Tip Length cm	Hydrophilic Coating Length cm	Tip Shape
G55705	METII-21-260	.021	260	5	5	straight
G26862	METII-21-480	.021	480	5	5	straight
G31913	METII-25-260	.025	260	5	5	straight
G25785	METII-25-480	.025	480	5	5	straight
G31914	METII-35-260	.035	260	5	5	straight
G25686	METII-35-480	.035	480	5	5	straight
G25687	METII-35-480-A	.035	480	5	5	angled
G50660	METII-35-600E	.035	600	5	5	straight

May be left in place during sphincterotomy.

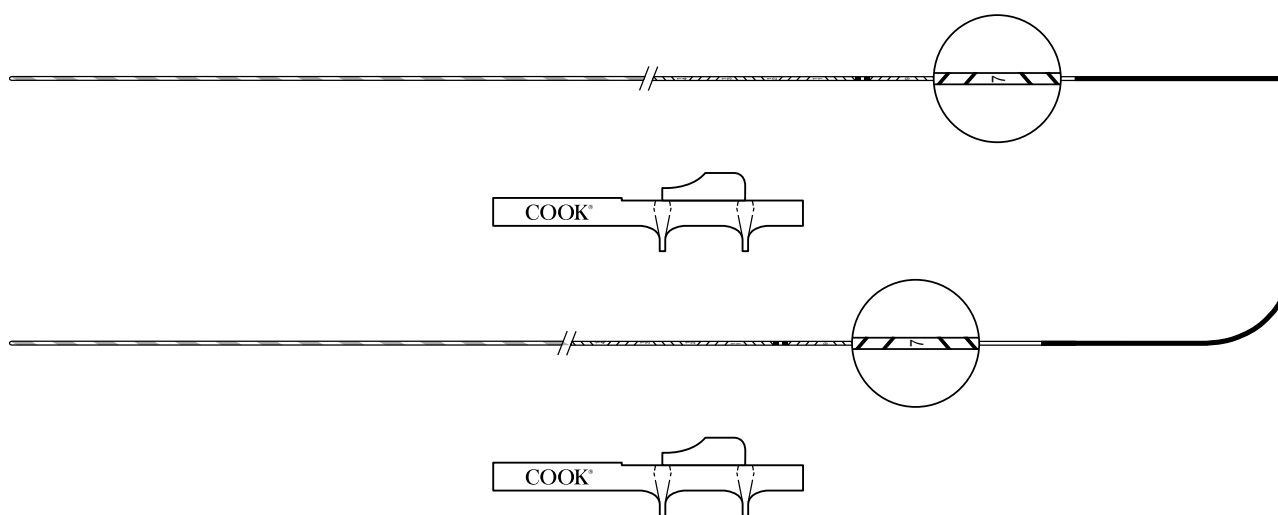
Caution: Not for use with metal tip devices.



Tracer Metro® Wire Guide

Used to assist in cannulation and in bridging difficult strictures during ERCP.

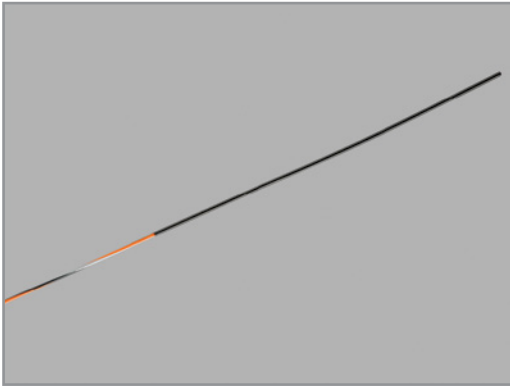
- Placement of the Tracer Metro allows for continual access to the desired duct and facilitates exchange of compatible wire guided products
- 5 cm hydrophilic coated radiopaque tip provides clear and smooth navigation with enhanced radiopacity
- Kink-resistant core provides enhanced maneuverability
- Numerical indicators at 1 cm increments allow you to reference stricture length beginning distally 6 to 24 cm
- Mark V System® can be used to determine stent length and to verify cannulation depth



Order Number	Reference Part Number	Wire Guide Diameter inch	Wire Guide Length cm	Radiopaque Tip Length cm	Hydrophilic Coating Length cm	Tip Shape
G25263	MET-25-480	.025	480	5	5	straight
G25264	MET-25-480-A	.025	480	5	5	angled
G25212	MET-35-480	.035	480	5	5	straight
G25213	MET-35-480-A	.035	480	5	5	angled

May be left in place during sphincterotomy.

Caution: Not for use with metal tip devices.



Fusion® Wire Guide

Used to assist in cannulation of the biliary and pancreatic ducts and to aid in bridging difficult strictures during ERCP.

- 5 cm hydrophilic coated radiopaque tip provides clear and smooth navigation with enhanced radiopacity
- Spiral markings provide endoscopic view of wire guide movement during cannulation
- Nitinol core for kink resistance and shape retention

Order Number	Reference Part Number	Wire Guide Diameter inch	Wire Guide Length cm	Radiopaque Tip Length cm	Hydrophilic Coating Length cm	Tip Shape
G31910	FSW-35	.035	205	5	5	straight

May be left in place during sphincterotomy.

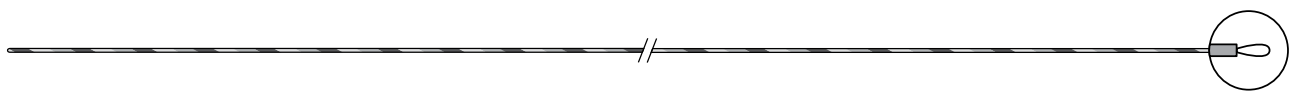
Caution: *Not for use with metal tip devices.*

Biliary/Pancreatic - Wire Guides

**Fusion® LoopTip™ Wire Guide**

Used to assist in cannulation of the biliary and pancreatic ducts and to aid in bridging difficult strictures during ERCP.

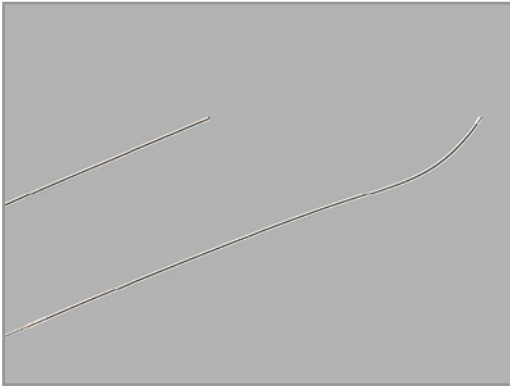
- Closed distal loop delivers potentially less traumatic access and navigation of the pancreatobiliary ductal system
- Radiopaque coil spring provides excellent fluoroscopic visibility
- Spiral markings extending to the distal end of the wire guide provide endoscopic view of wire guide movement during cannulation
- Nitinol core for kink resistance and shape retention



Order Number	Reference Part Number	Wire Guide Diameter inch	Wire Guide Length cm	LoopTip Size mm
G50975	FS-LT-35-205	.035	205	2 x 4
G50976	FS-LT-35-260	.035	260	2 x 4
G50977	FS-LT-35-480	.035	480	2 x 4

May be left in place during sphincterotomy.

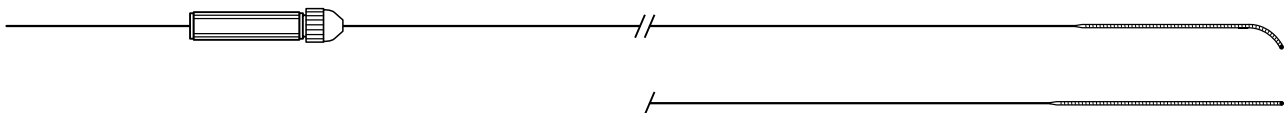
Caution: Not for use with metal tip devices.



Roadrunner® Extra Support Wire Guide

Used to assist in cannulation and to aid in bridging difficult strictures during ERCP.

- Roadrunner provides extra support along with a platinum spring coil tip for excellent radiopacity

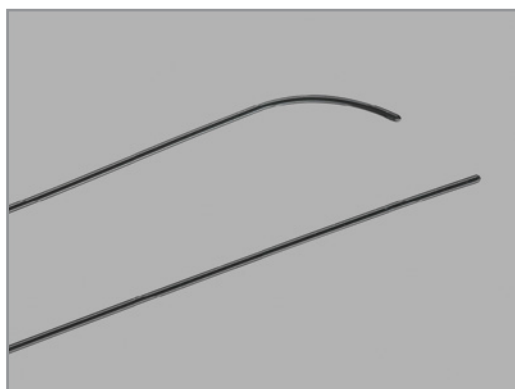


Order Number	Reference Part Number	Wire Guide Diameter inch	Wire Guide Length cm	Radiopaque Tip Length cm	Tip Shape
G23038	RR-18-260	.018	260	3	straight
G23039	RR-18-260-A	.018	260	3	angled
G22419	RR-18-480	.018	480	3	straight
G22416	RR-18-480-A	.018	480	3	angled

Must remove prior to sphincterotomy.

Caution: Not for use with metal tip devices.

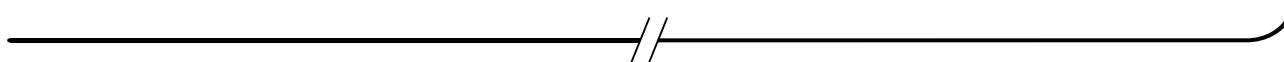
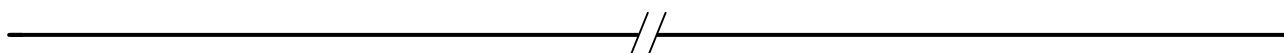
Biliary/Pancreatic - Wire Guides



Delta Wire® Fully Hydrophilic Coated Wire

Used to assist in cannulation of the biliary and pancreatic ducts and to aid in bridging difficult strictures during ERCP.

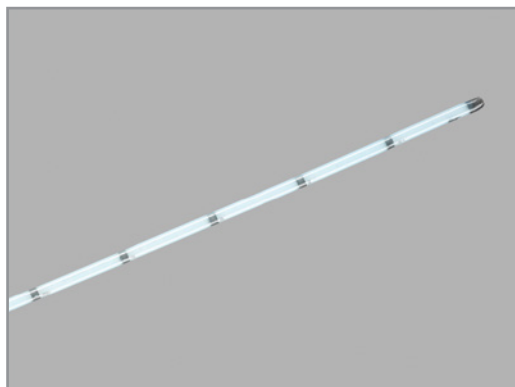
- Flexible, tapered tip designed to optimize access
- Kink-resistant, Nitinol core allows for maximum deflection without buckling
- Hydrophilic coating, when activated, becomes very lubricous, greatly reducing the coefficient of friction during insertion and advancement
- 1:1 torque control delivers superb maneuverability and precise navigation throughout the most challenging anatomy



Order Number	Reference Part Number	Wire Guide Diameter inch	Wire Guide Length cm	Tip Shape	Box Quantity
G31595	DWG-25-260-S	.025	260	straight	5
G31597	DWG-25-260-A-S	.025	260	angled	5
G31900	DWG-35-260-S	.035	260	straight	5
G31901	DWG-35-260-A-S	.035	260	angled	5

Must remove prior to sphincterotomy.

Caution: Not for use with metal tip devices.



Tracer Hybrid® Wire Guide

Used to assist in cannulation and to aid in bridging difficult strictures during ERCP.

- The hydrophilic tip enhances placement and facilitates exchange of compatible .035 inch wire guided accessories
- Mark V System® can be used to determine stent length and to verify cannulation depth

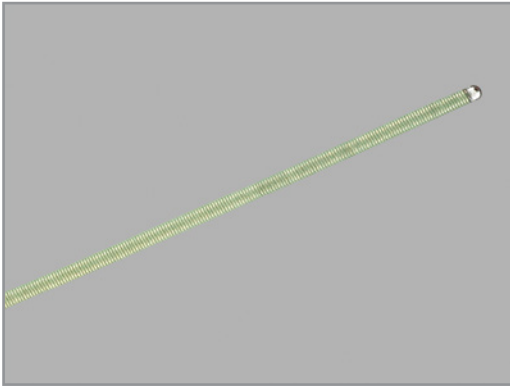


Order Number	Reference Part Number	Wire Guide Diameter inch	Wire Guide Length cm	Hydrophilic Coating Length cm	Radiopaque Tip Length cm	Tip Shape
G22659	HYB-48015	.035	480	15	4	straight
G22660	HYB-48015-A	.035	480	15	4	angled
G22661	HYB-48025	.035	480	25	4	straight
G22662	HYB-48025-A	.035	480	25	4	angled

May be left in place during sphincterotomy.

Caution: Not for use with metal tip devices.

Biliary/Pancreatic - Wire Guides



Standard Wire Guide

Used to assist in cannulation and to aid in bridging difficult strictures during ERCP.

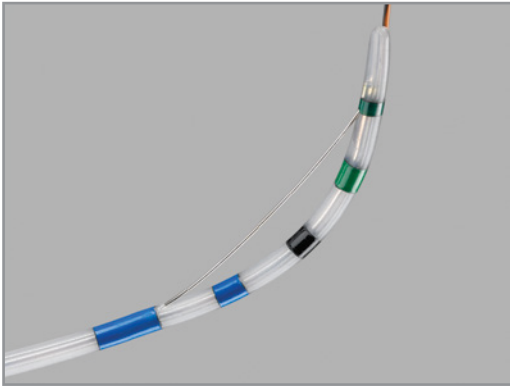
- Standard wire guides are coated, stainless steel with a soft, flexible coil spring tip



Order Number	Reference Part Number	Wire Guide Diameter inch	Wire Guide Length cm	Tip Shape
G13816	THSF-35-480	.035	480	straight

Must remove prior to sphincterotomy.

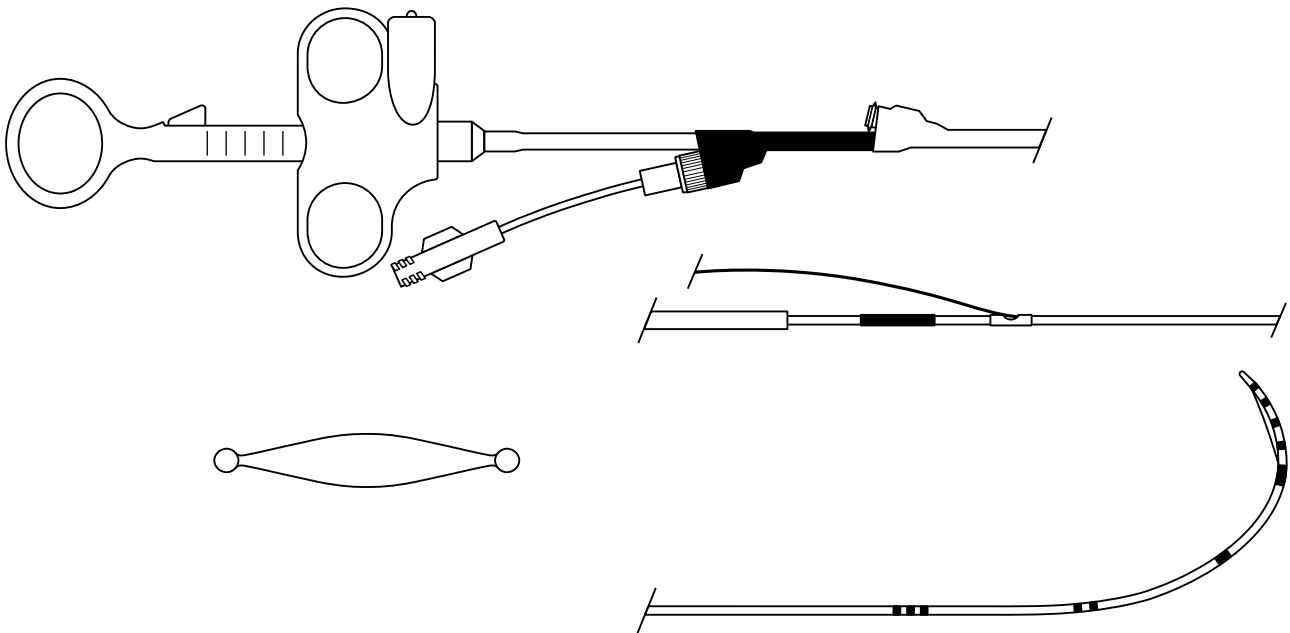
Not compatible with Fusion, Evolution Biliary or DomeTip devices.



Fusion® OMNI™ Sphincterotome with DomeTip®

Used for cannulation of the ductal system and for sphincterotomy.

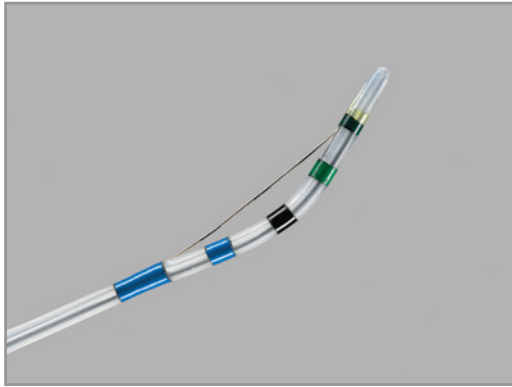
- DomeTip® designed with anatomy in mind for smooth, easy access
- Patented 3D forming wire delivers trusted orientation
- Breakthrough channel technology - the option for physician wire guide control or the ability to use the device in an over-the-wire long wire technique
- Preloaded options available for procedural convenience
- Mark V System® provides endoscopic visualization at 5, 10 and 15 cm from the distal tip of the catheter signifying cannulation depth



Order Number	Reference Part Number	Catheter Size Fr	Tip Shape	Wire Guide Diameter inch	Wire Guide Length cm	Preloaded Wire Guide	Monofilament Cutting Wire Length mm	Minimum Accessory Channel mm
G48675	FS-OMNI-21	5.5	DomeTip	.021	n/a	n/a	25	2.8
G56103	FS-OMNI-21-260	5.5	DomeTip	.021	260	Tracer Metro Direct	25	2.8
G48676	FS-OMNI-21-480	5.5	DomeTip	.021	480	Tracer Metro Direct	25	2.8
G31903	FS-OMNI	7	DomeTip	.035	n/a	n/a	25	3.2
G31911	FS-OMNI-35	7	DomeTip	.035	205	Fusion	25	3.2
G55814	FS-OMNI-35-260	7	DomeTip	.035	260	Tracer Metro Direct	25	3.2
G55815	FS-OMNI-35-480	7	DomeTip	.035	480	Tracer Metro Direct	25	3.2
G34601	FS-OMNI-ACRO-35-205	7	DomeTip	.035	205	Acrobat	25	3.2
G34693	FS-OMNI-ACRO-35-260	7	DomeTip	.035	260	Acrobat	25	3.2
G34711	FS-OMNI-ACRO-35-450	7	DomeTip	.035	450	Acrobat	25	3.2

Active cord (page 219) available separately.

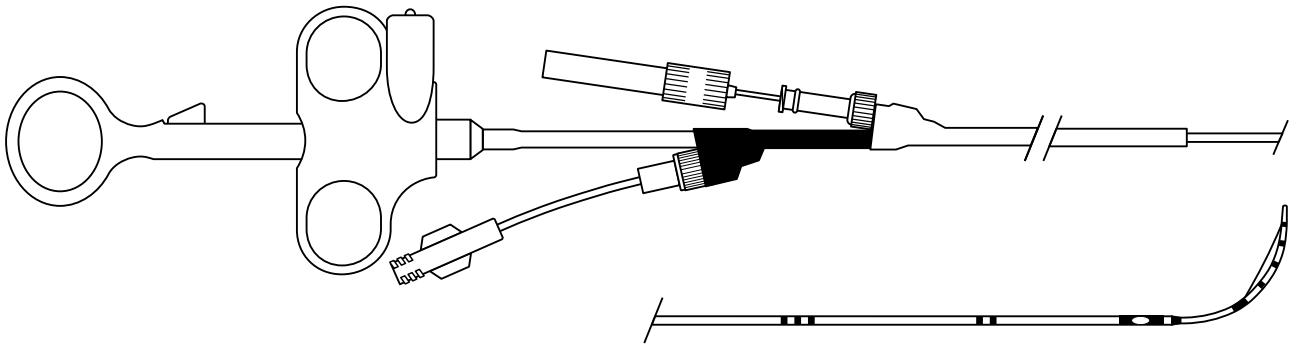
Catheter length is 200 cm.



Fusion® IDE-Tome Sphincterotome with DomeTip®

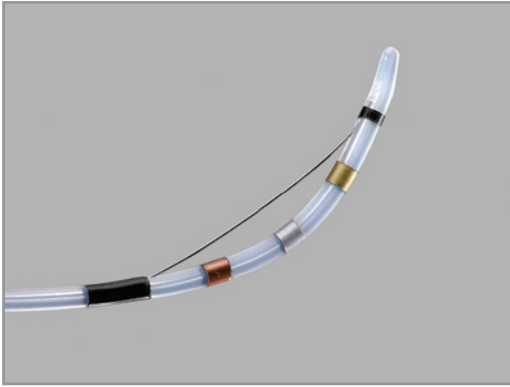
Used for cannulation of the ductal system and for sphincterotomy.

- DomeTip® designed with anatomy in mind for smooth, easy access
- Patented 3D forming wire delivers trusted orientation
- Access is streamlined because the physician has control of the wire guide during procedures
- Solid catheter construction allows for pushability, while minimizing kinking
- For traditional exchanges, the fully functional, long wire lumen can be flushed to reduce wire guide friction
- Mark V System® provides endoscopic visualization at 5, 10 and 15 cm from the distal tip of the catheter signifying cannulation depth



Order Number	Reference Part Number	Catheter Size Fr	Tip Shape	Catheter Length cm	Wire Guide Diameter inch	Monofilament Cutting Wire Length mm	Minimum Accessory Channel mm
G31533	FS-25M-35	7	DomeTip	200	.035	25	4.2

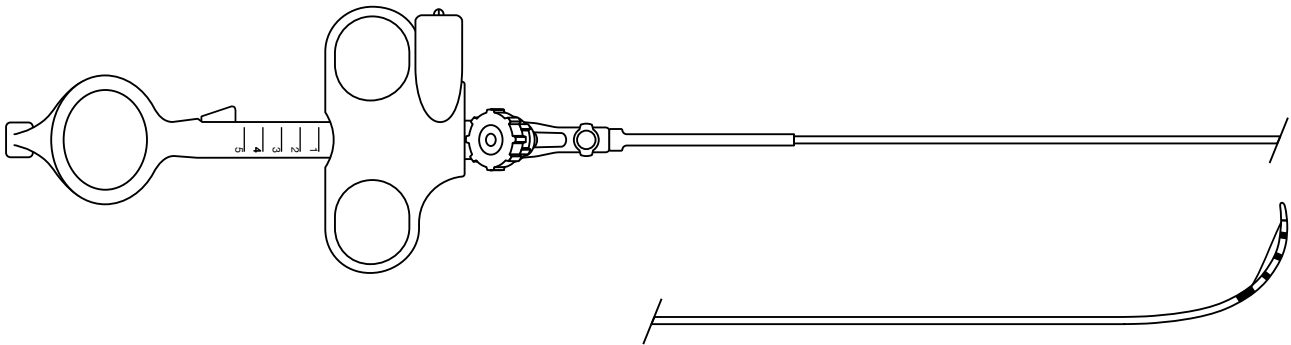
Active cord (page 219) available separately.



D.A.S.H.® Sphincterotome with DomeTip®

Used for cannulation of the ductal system and for sphincterotomy. If preloaded, also aids in bridging difficult strictures during ERCP.

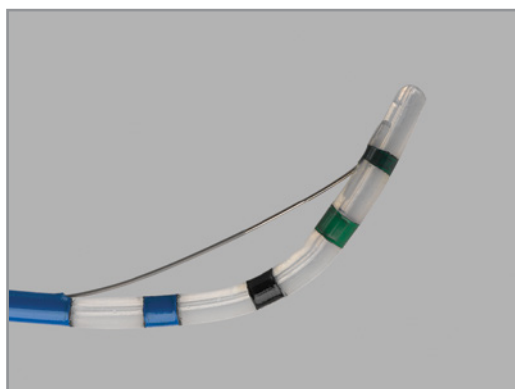
- Contrast may be injected through an integrated hub
- DomeTip® designed with anatomy in mind for smooth, easy access
- Patented 3D forming wire delivers trusted orientation
- Pre-attached racetrack for procedural ease of use and enhanced ergonomics
- Preloaded option for convenience with a .021", .025" or .035" wire guide
- Gold, silver and bronze depth reference markings endoscopically identify relative position of the 25 mm monofilament cutting wire within the duct



Order Number	Reference Part Number	Catheter Size Fr	Tip Shape	Wire Guide Diameter inch	Preloaded Wire Guide	Wire Guide Length cm	Monofilament Cutting Wire Length mm	Minimum Accessory Channel mm
G26850	DASH-21	5.5	DomeTip	.021	n/a	n/a	25	2.8
G25790	DASH-21-480	5.5	DomeTip	.021	Tracer Metro Direct	480	25	2.8
G25224	DASH-1	6	DomeTip	.025	n/a	n/a	25	2.8
G25225	DASH-260	6	DomeTip	.025	Tracer Metro Direct	260	25	2.8
G25227	DASH-480	6	DomeTip	.025	Tracer Metro Direct	480	25	2.8
G34779	DASH-ACRO-25-450	6	DomeTip	.025	Acrobat	450	25	2.8
G54193	DASH-35	6.5	DomeTip	.035	n/a	n/a	25	2.8
G34780	DASH-ACRO-35-260	6.5	DomeTip	.035	Acrobat	260	25	2.8
G25666	DASH-35-480	6.5	DomeTip	.035	Tracer Metro Direct	480	25	2.8
G34778	DASH-ACRO-35-450	6.5	DomeTip	.035	Acrobat	450	25	2.8

Active cord (page 219) available separately.

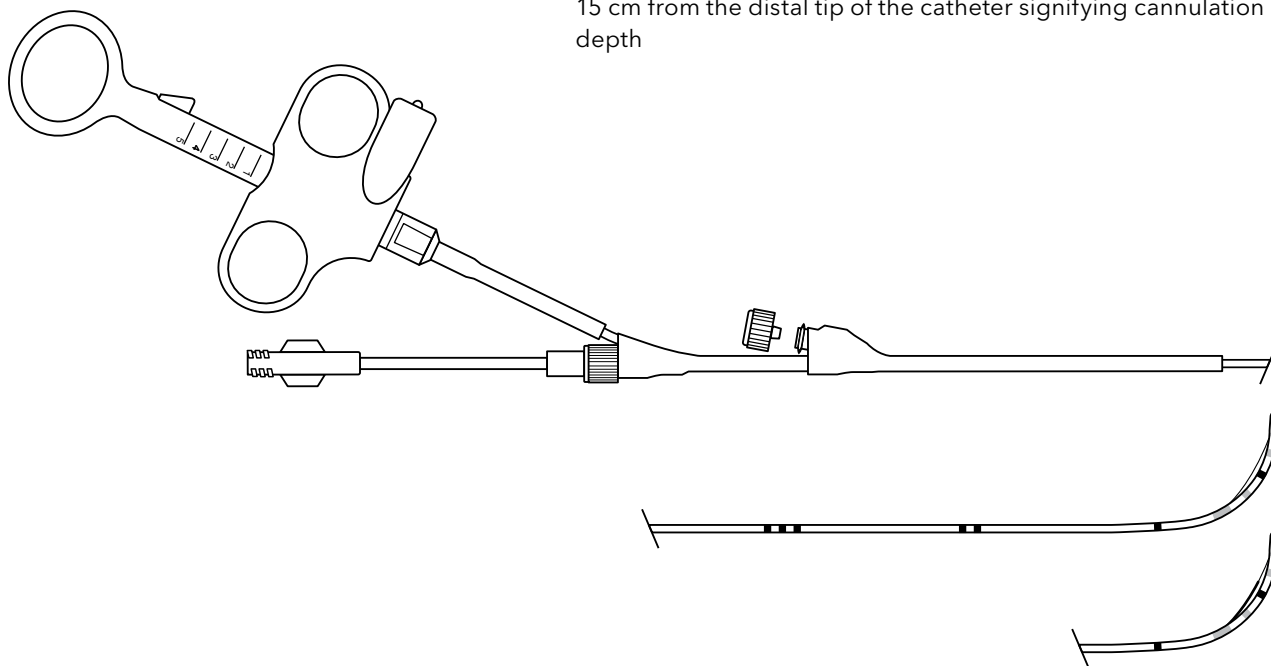
Catheter length is 196 cm.



Tri-Tome pc® Triple Lumen Sphincterotome

Used for endoscopic cannulation of the ductal system and for sphincterotomy.

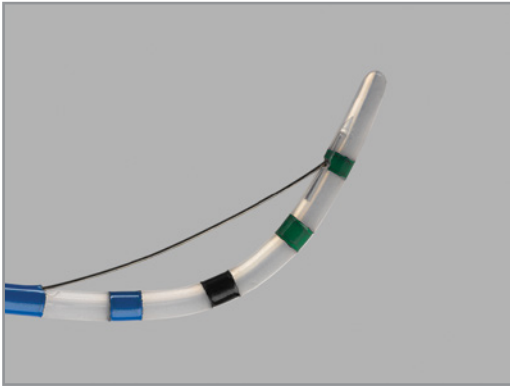
- DomeTip® is designed with anatomy in mind for smooth, easy access
- Patented 3D forming wire delivers trusted orientation
- Protector™ insulation on proximal portion of cutting wire can potentially decrease incidence of cutting wire contact with scope, reducing the risk of damage to the cutting wire and scope (available on TRI-25M-P)
- Mark V System® provides endoscopic visualization at 5, 10 and 15 cm from the distal tip of the catheter signifying cannulation depth



Order Number	Reference Part Number	Catheter Size Fr	Tip Shape	Catheter Length cm	Wire Guide Diameter inch	Cutting Wire Length mm	Cutting Wire Type	Minimum Accessory Channel mm
Tri-Tome® Protector™								
G49197	TRI-25M-P	7	DomeTip	200	.035	25	monofilament Protector	2.8
Tri-Tome®								
G22583	TRI-20	7	DomeTip	200	.035	20	braided	2.8
G22584	TRI-20M	7	DomeTip	200	.035	20	monofilament	2.8
G22554	TRI-25	7	DomeTip	200	.035	25	braided	2.8
G22555	TRI-25M	7	DomeTip	200	.035	25	monofilament	2.8
G25502	TRI-25M-MET*	7	DomeTip	200	.035	25	monofilament	2.8
G26826	TRI-25M-SLT with Physician Control Ports	7	DomeTip	200	.035	25	monofilament	2.8
G22556	TRI-30	7	DomeTip	200	.035	30	braided	2.8
G22557	TRI-30M	7	DomeTip	200	.035	30	monofilament	2.8

Active cord (page 219) available separately.

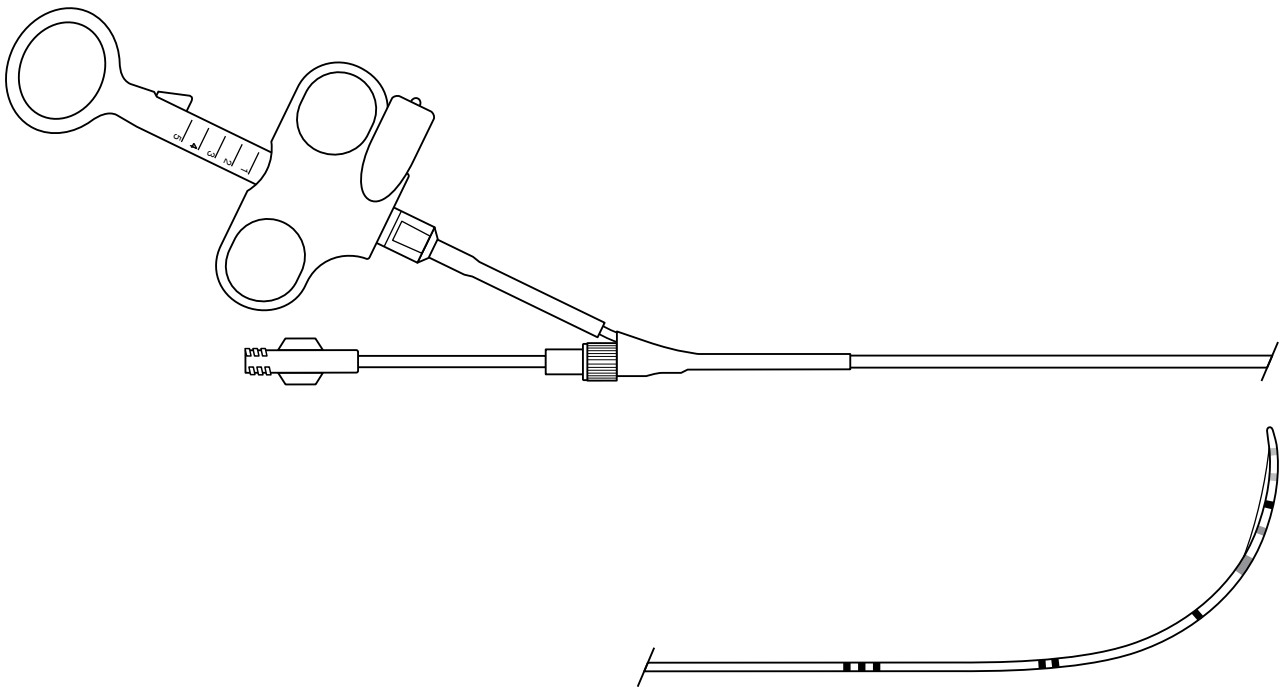
*Preloaded with Tracer Metro® Direct™ wire guide.



Cannulotome II® Double Lumen Sphincterotome

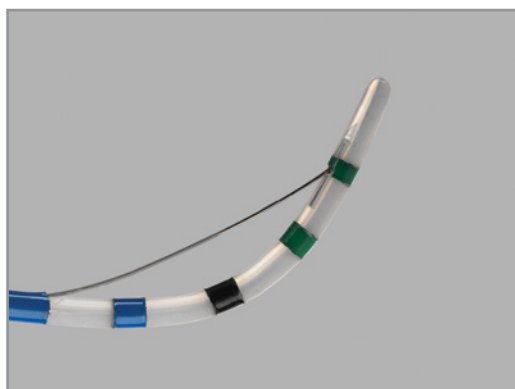
Used for cannulation of the ductal system and for sphincterotomy.

- DomeTip® is designed with anatomy in mind for smooth, easy access
- Patented 3D forming wire delivers trusted orientation
- The double lumen feature allows injection of contrast or wire guide access during sphincterotomy and facilitates the exchange of wire guided devices
- Mark V System® provides endoscopic visualization at 5, 10 and 15 cm from the distal tip of the catheter signifying cannulation depth



Order Number	Reference Part Number	Catheter Size Fr	Tip Shape	Catheter Length cm	Wire Guide Diameter inch	Cutting Wire Length mm	Cutting Wire Type	Minimum Accessory Channel mm
G22240	CT-20	6	DomeTip	200	.035	20	braided	2.8
G22536	CT-20M	6	DomeTip	200	.035	20	monofilament	2.8
G25801	CT-30	6	DomeTip	200	.035	30	braided	2.8
G22538	CT-30M	6	DomeTip	200	.035	30	monofilament	2.8

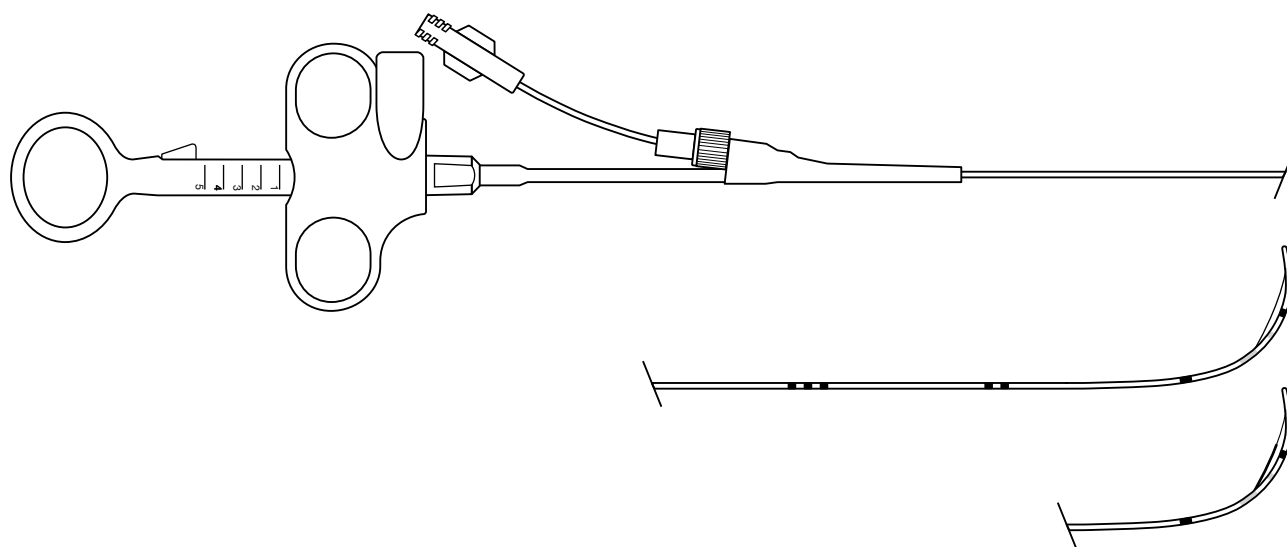
Active cord (page 219) available separately.



Cotton CannulaTome II® PreCurved Double Lumen Sphincterotome

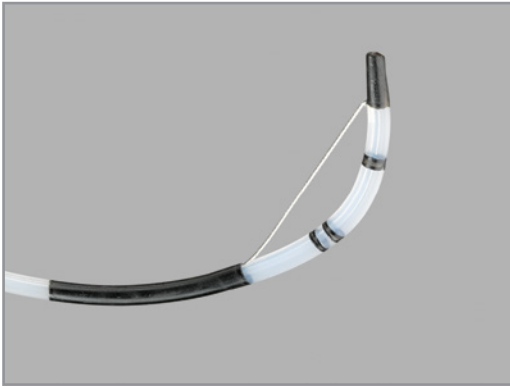
Used for cannulation of the ductal system and for sphincterotomy.

- DomeTip® is designed with anatomy in mind for smooth, easy access
- Patented 3D forming wire delivers trusted orientation
- Protector™ insulation on proximal portion of cutting wire can potentially decrease incidence of cutting wire contact with scope, reducing the risk of damage to the cutting wire and scope (available on CT-25M-P)
- The double lumen feature allows injection of contrast or wire guide access during sphincterotomy and facilitates the exchange of wire guided devices
- Mark V System® provides endoscopic visualization at 5, 10 and 15 cm from the distal tip of the catheter signifying cannulation depth



Order Number	Reference Part Number	Catheter Size Fr	Tip Shape	Catheter Length cm	Wire Guide Diameter inch	Cutting Wire Length mm	Cutting Wire Type	Minimum Accessory Channel mm
Cotton CannulaTome II® Protector™								
G49196	CT-25M-P	6	DomeTip	200	.035	25	monofilament	2.8
Cotton CannulaTome II®								
G22241	CT-25	6	DomeTip	200	.035	25	braided	2.8
G22537	CT-25M	6	DomeTip	200	.035	25	monofilament	2.8

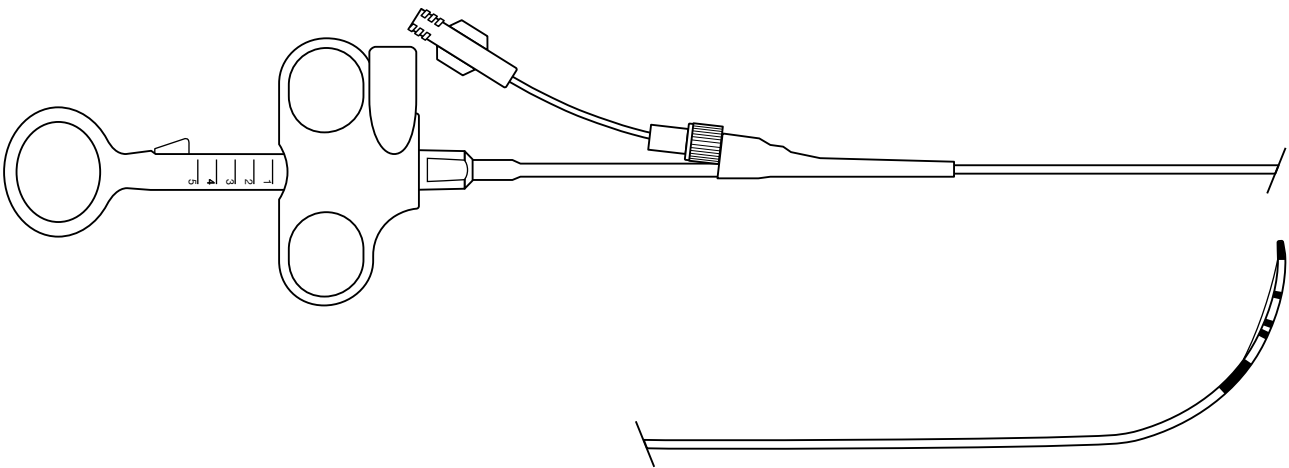
Active cord (page 219) available separately.



Classic Cotton® CannulaTome®

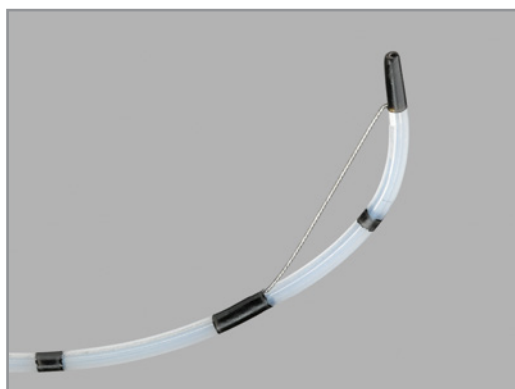
Used for cannulation of the ductal system and for sphincterotomy.

- PreCurved radiopaque tip facilitates optimal cutting orientation
- The double lumen feature allows injection of contrast or wire guide access during sphincterotomy and facilitates the exchange of wire guided devices



Order Number	Reference Part Number	Catheter Size Fr	Tip Shape	Catheter Length cm	Wire Guide Diameter inch	Cutting Wire Length mm	Cutting Wire Type	Minimum Accessory Channel mm
G21944	CCPT-25	6-5	taper	200	.035	25	braided	2.8
G21969	CCPT-25-MONO	6-5	taper	320	.035	25	monofilament	2.8
G22732	CCPT-25ME	6-5	taper	320	.035	25	monofilament	2.8

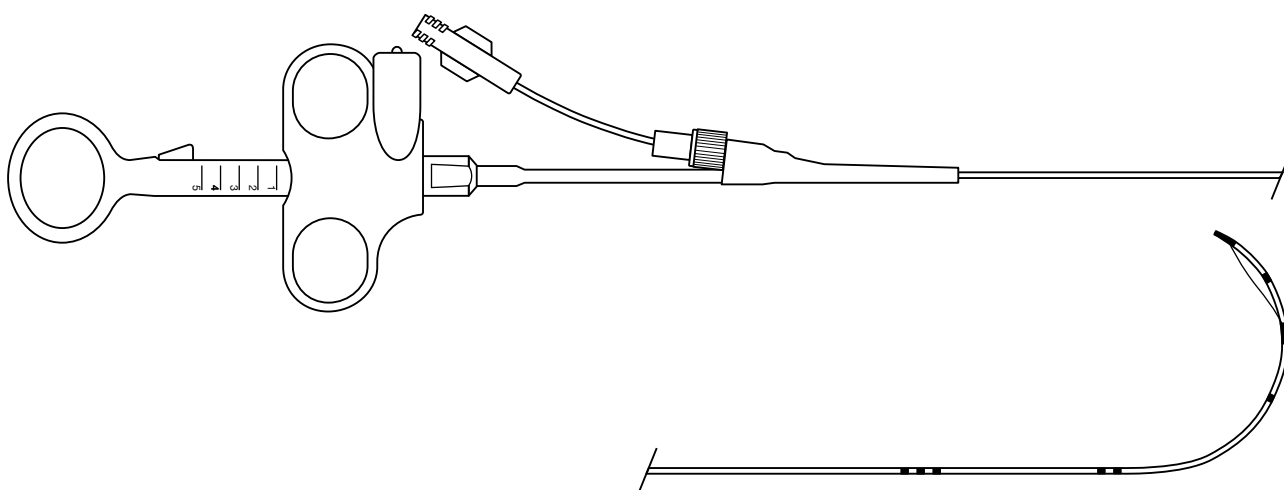
Active cord (page 219) available separately.



Mini-Tome® Double Lumen Sphincterotome

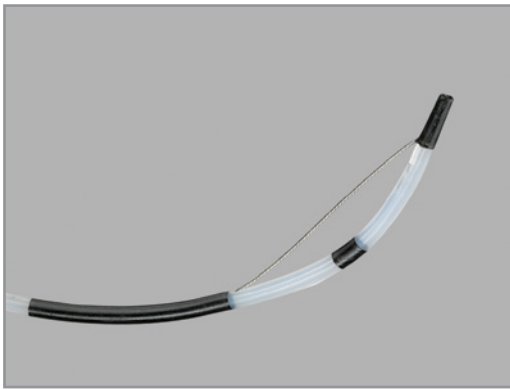
Used for cannulation of the ductal system and for sphincterotomy.

- PreCurved radiopaque tip facilitates optimal cutting orientation
- The double lumen feature allows wire guide access during sphincterotomy and facilitates the exchange of wire guided devices
- Mark V System® provides endoscopic visualization at 5, 10 and 15 cm from the distal tip of the catheter signifying cannulation depth



Order Number	Reference Part Number	Catheter Size Fr	Tip Shape	Catheter Length cm	Wire Guide Diameter inch	Cutting Wire Length mm	Cutting Wire Type	Minimum Accessory Channel mm
G22741	MT-20	5-4	taper	200	.021	20	braided	2
G22742	MT-20M	5-4	taper	200	.021	20	monofilament	2
G22743	MT-25	5-4	taper	200	.021	25	braided	2
G22744	MT-25M	5-4	taper	200	.021	25	monofilament	2
G22745	MT-30	5-4	taper	200	.021	30	braided	2
G22746	MT-30M	5-4	taper	200	.021	30	monofilament	2

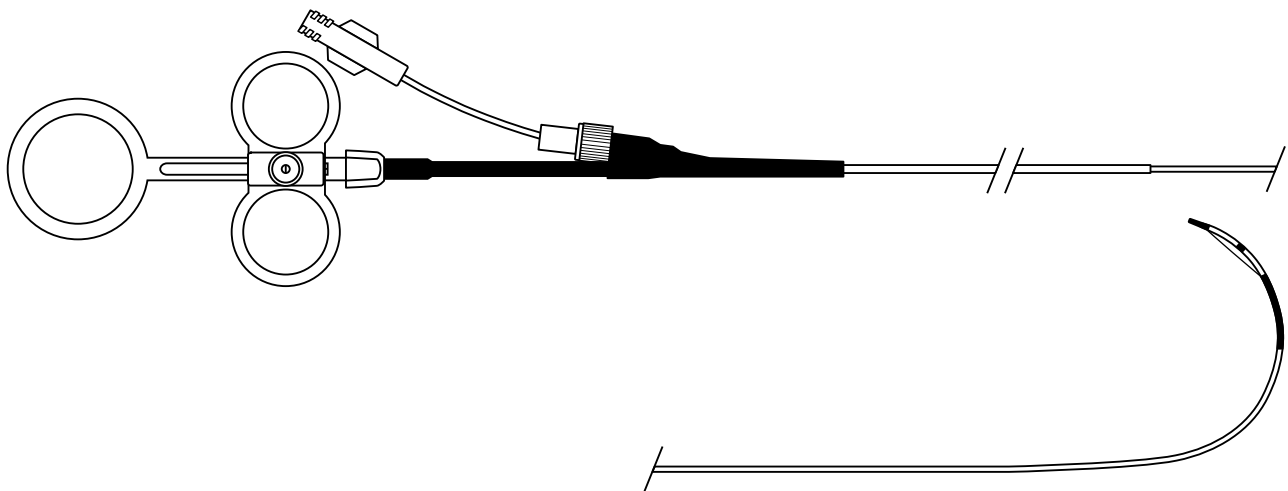
Active cord (page 219) available separately.



UTS® Ultra Taper Sphincterotome

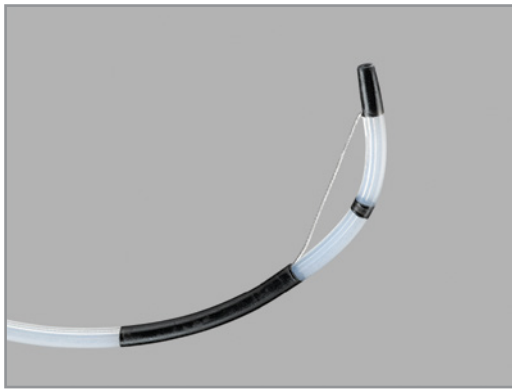
Used for cannulation of the ductal system and for sphincterotomy.

- PreCurved radiopaque tip facilitates optimal cutting orientation
- The double lumen feature allows injection of contrast or wire guide access during sphincterotomy and facilitates the exchange of wire guided devices



Order Number	Reference Part Number	Catheter Size Fr	Tip Shape	Catheter Length cm	Wire Guide Diameter inch	Cutting Wire Length mm	Cutting Wire Type	Minimum Accessory Channel mm
G22503	UTS-15	5-4	taper	200	.021	15	braided	2
G22427	UTS-20	5-4	taper	200	.021	20	braided	2
G22429	UTS-20M	5-4	taper	200	.021	20	monofilament	2
G22489	UTS-25	5-4	taper	200	.021	25	braided	2
G22490	UTS-25M	5-4	taper	200	.021	25	monofilament	2
G22428	UTS-30	5-4	taper	200	.021	30	braided	2
G22430	UTS-30M	5-4	taper	200	.021	30	monofilament	2

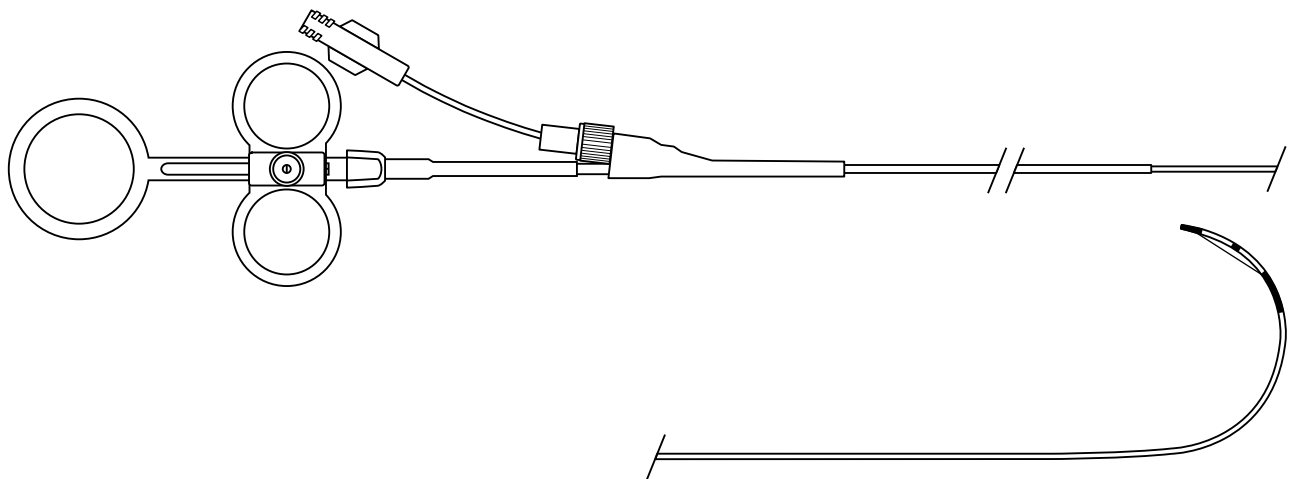
Active cord (page 219) available separately.



Wire Guided Sphincterotome

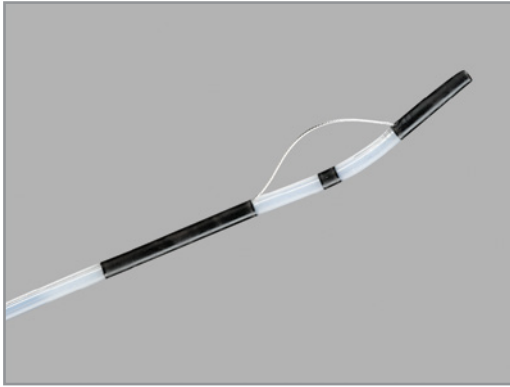
Used for cannulation of the ductal system and for sphincterotomy.

- PreCurved radiopaque tip facilitates optimal cutting orientation
- The double lumen feature allows injection of contrast or wire guide access during sphincterotomy and facilitates the exchange of wire guided devices



Order Number	Reference Part Number	Catheter Size Fr	Tip Shape	Catheter Length cm	Wire Guide Diameter inch	Cutting Wire Length mm	Cutting Wire Type	Minimum Accessory Channel mm
G21686	PTG-20-6-NG	6-5	taper	200	.035	20	braided	2.8
G22135	PTG-30-6-NG	6-5	taper	200	.035	30	braided	2.8

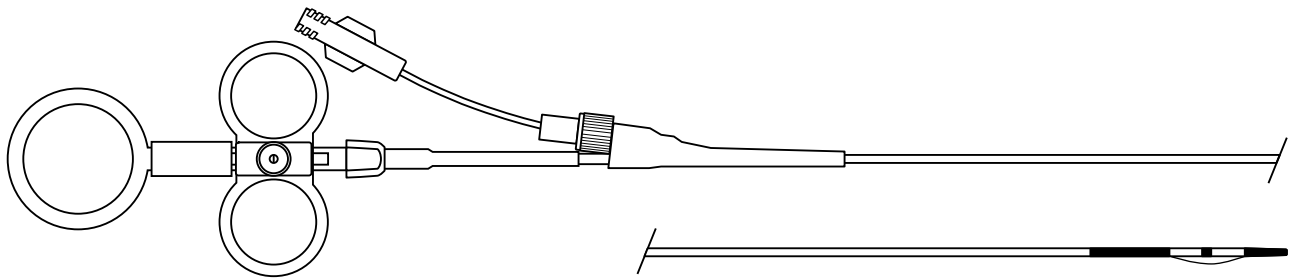
Active cord (page 219) available separately.



Billroth II Sphincterotome

Used for cannulation of the ductal system and for sphincterotomy.

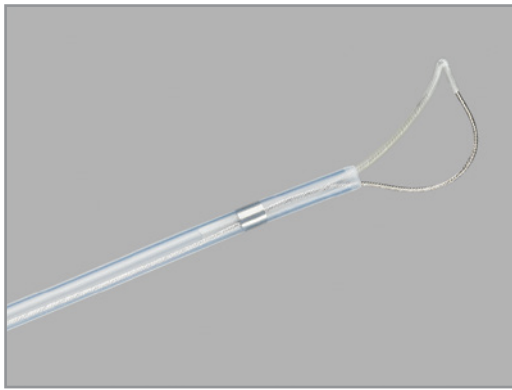
- This device is available in double lumen, allowing injection of contrast or wire guide access to the desired duct during sphincterotomy and facilitating the exchange of wire guided devices



Order Number	Reference Part Number	Catheter Size Fr	Tip Shape	Catheter Length cm	Wire Guide Diameter inch	Cutting Wire Length mm	Cutting Wire Type	Minimum Accessory Channel mm
G22143	PTG-20-6-BII-NG	6-5	taper	200	.035	20	braided	2.8

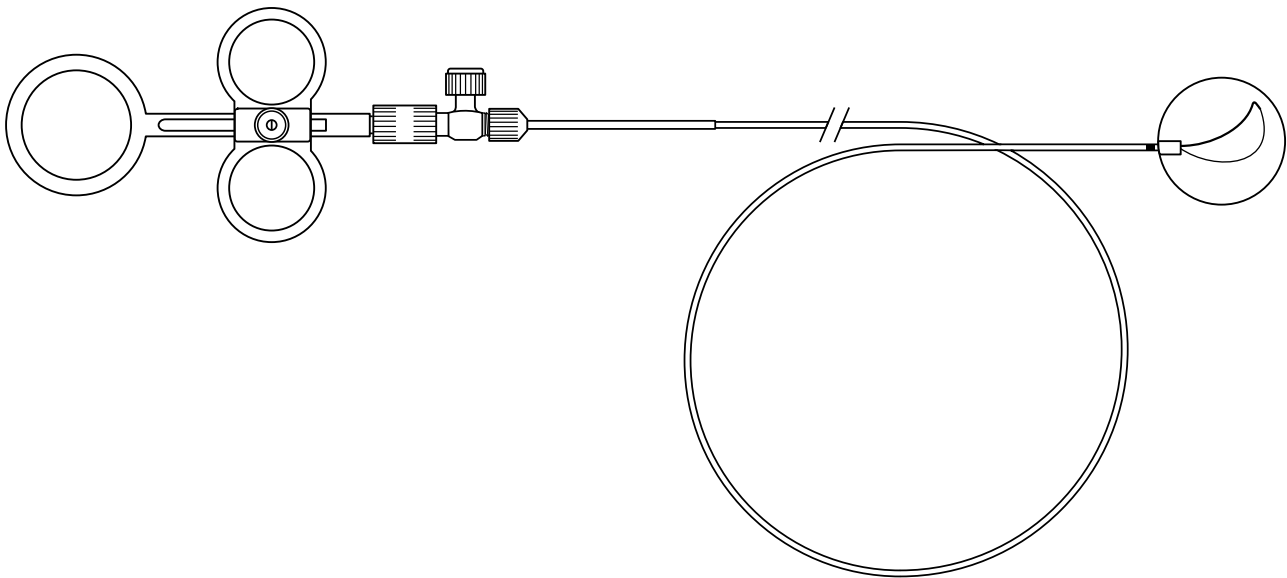
Active cord (page 219) available separately.

Biliary/Pancreatic - Sphincterotomes



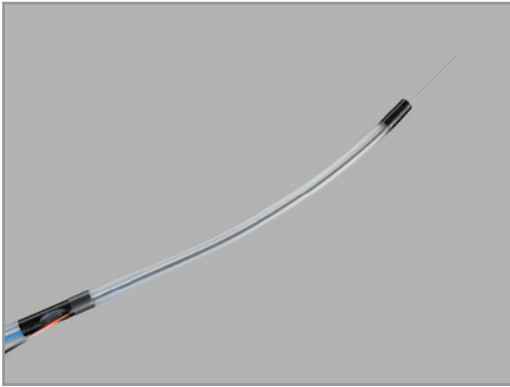
Soehendra® BII Sphincterotome

Used for cannulation of the ductal system and for sphincterotomy.



Order Number	Reference Part Number	Catheter Size Fr	Catheter Length cm	Cutting Wire Type	Minimum Accessory Channel mm
G21732	PT-5.5-BII-SOEHENDRA	5.5	200	variable	2.8

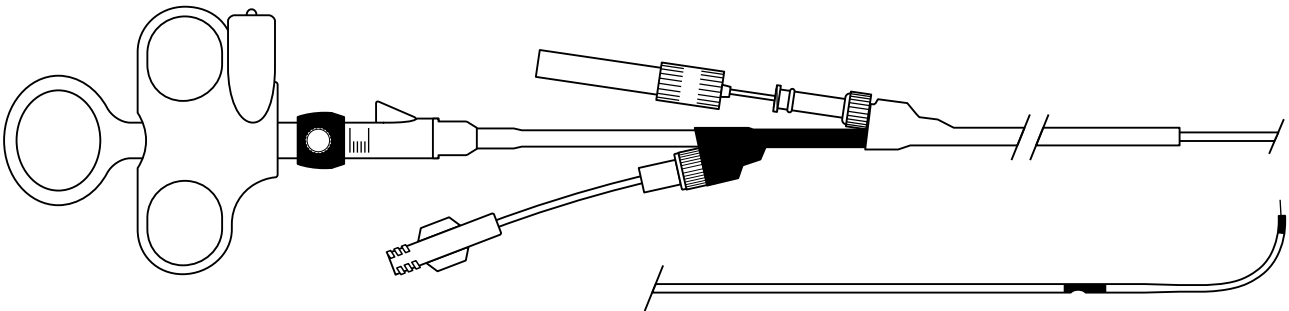
Active cord (page 219) available separately.



Fusion® Needle Knife

Used for accessing the common bile duct when standard cannulation methods have been exhausted.

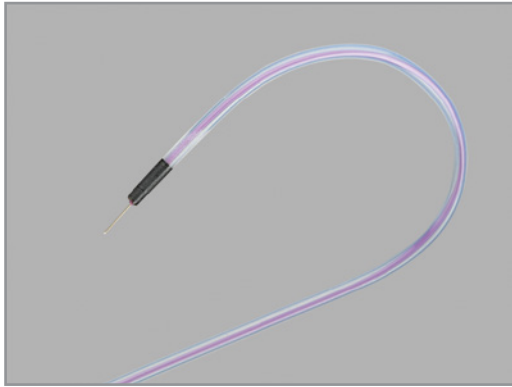
- Aids in accessing difficult-to-cannulate ducts
- Adjustable 4 mm cutting wire for precise control



Order Number	Reference Part Number	Catheter Size Fr	Catheter Tip Size Fr	Catheter Length cm	Wire Guide Diameter inch	Cutting Wire Length mm	Minimum Accessory Channel mm
G31539	FS-PRE CUT	7	6	200	.035	4 adjustable	4.2

Active cord (page 219) available separately.

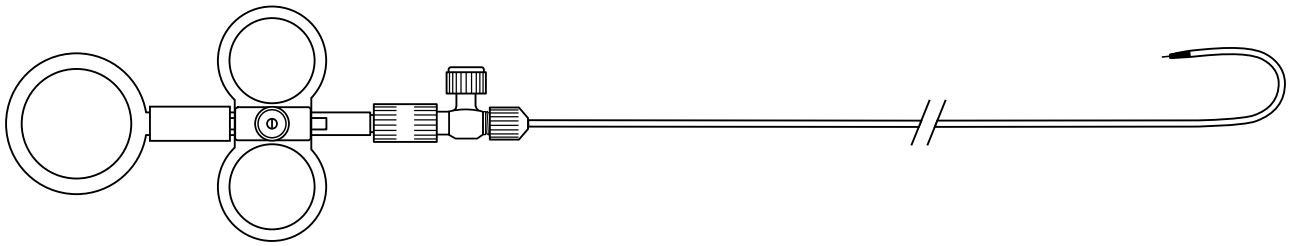
Biliary/Pancreatic - Sphincterotomes



Huibregtse® Single Lumen Needle Knife

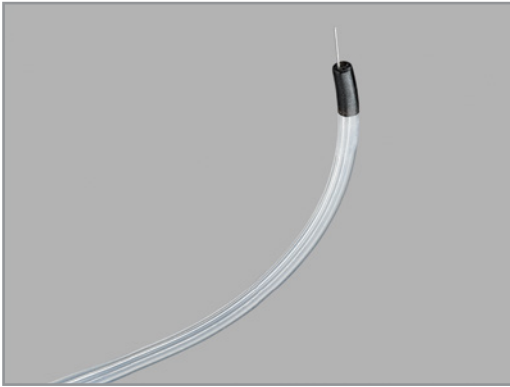
Used for accessing the common bile duct when standard methods of cannulation have been exhausted.

- The PreCurve facilitates tip position



Order Number	Reference Part Number	Catheter Size Fr	Catheter Length cm	Wire Guide Diameter inch	Cutting Wire Length mm	Minimum Accessory Channel mm
G22037	HPC-2	5	200	.035	4	2

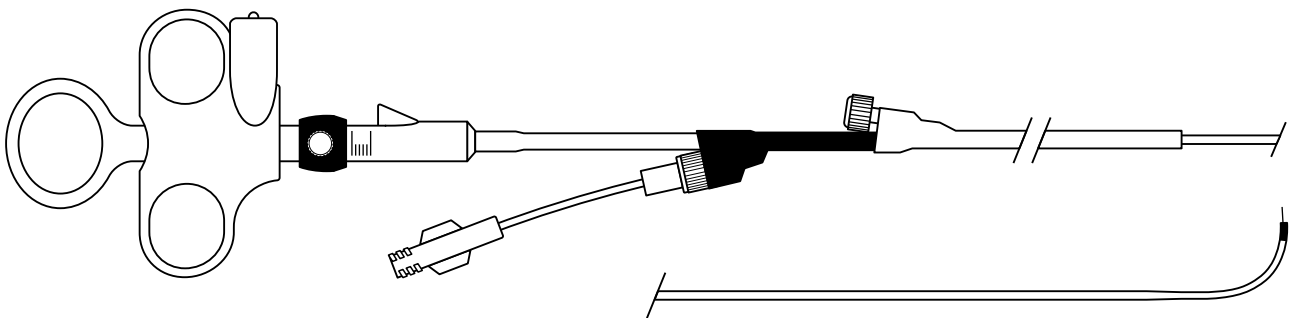
Active cord (page 219) available separately.



Huibregtse® Triple Lumen Needle Knife

Used for accessing the common bile duct when standard methods of cannulation have been exhausted.

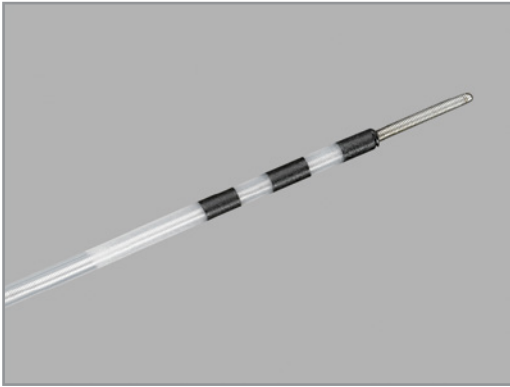
- The PreCurve facilitates tip position



Order Number	Reference Part Number	Catheter Size Fr	Catheter Length cm	Tip Shape	Wire Guide Diameter inch	Cutting Wire Length mm	Minimum Accessory Channel mm
G24885	HPC-3	7-5	200	taper	.035	adjustable	2.8

Active cord (page 219) available separately.

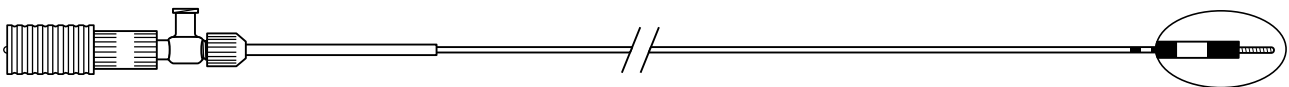
Biliary/Pancreatic - Sphincterotomes



Zimmon® Needle Knife Papillotome

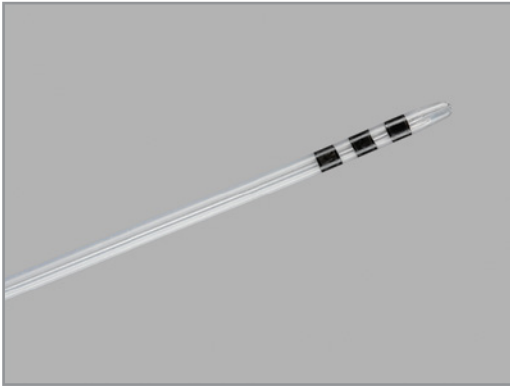
Used for accessing the common bile duct when standard methods of cannulation have been exhausted.

- Catheter has three etched markings at the distal tip



Order Number	Reference Part Number	Catheter Size Fr	Catheter Length cm	Wire Guide Diameter inch	Cutting Wire Length mm	Minimum Accessory Channel mm
G21822	PTW-1	5	200	.035	7	2
G22717	PTW-1E	5	320	.035	7	2

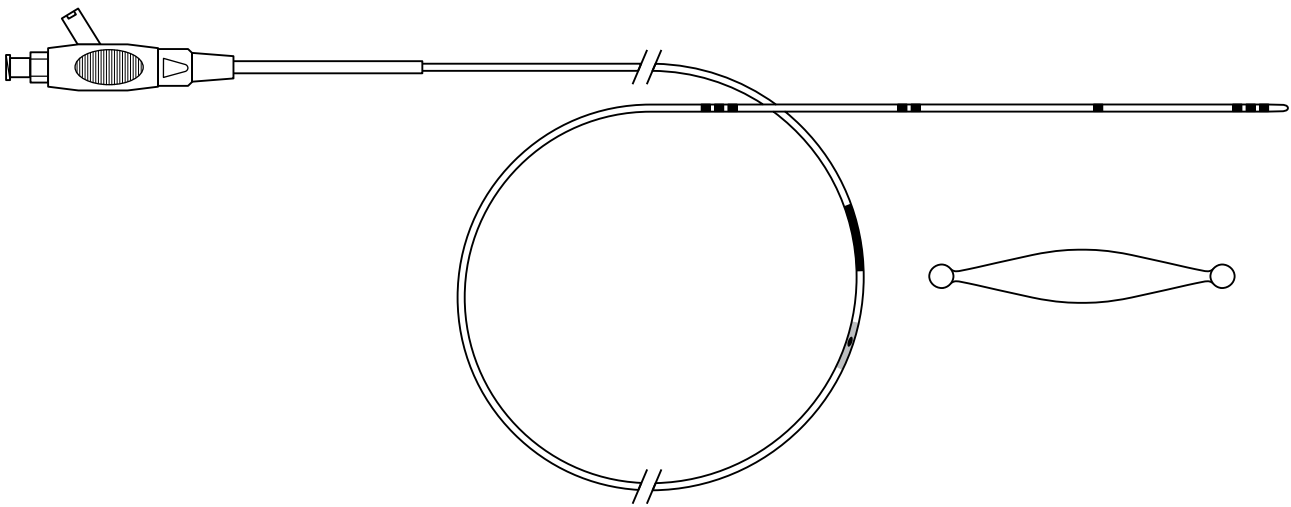
Active cord (page 219) available separately.



Fusion® OMNI™ ERCP Catheter with DomeTip®

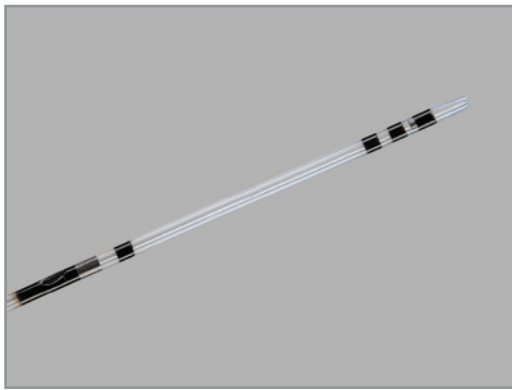
Used for endoscopic cannulation of the ductal system.

- DomeTip designed with anatomy in mind for smooth, easy access
- Breakthrough channel technology—the option for physician wire guide control or the ability to use the device in an over-the-wire long wire technique
- The unique injection lumen configuration allows for ease of injection
- Radiopaque tip optimizes fluoroscopic visualization
- Mark V System® provides endoscopic visualization at 5, 10 and 15 cm from the distal tip of the catheter signifying cannulation depth



Order Number	Reference Part Number	Catheter Size Fr	Tip Shape	Catheter Length cm	Wire Guide Diameter inch	Minimum Accessory Channel mm
G31590	FS-GT-OMNI	7	DomeTip	200	.035	4.2

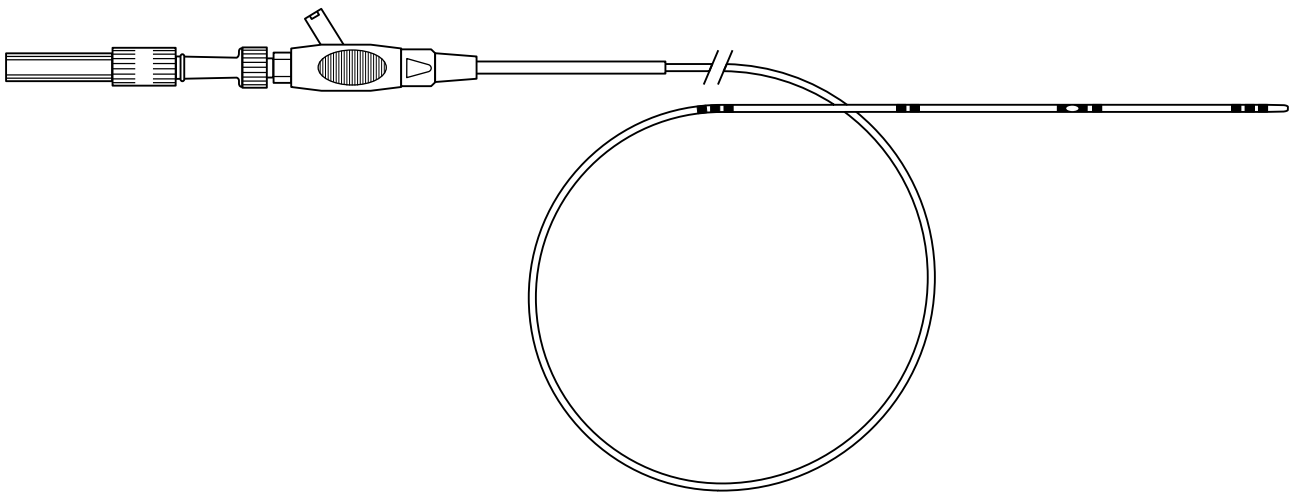
Biliary/Pancreatic - Catheters



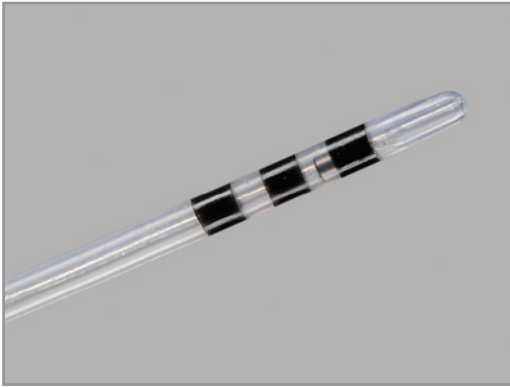
Fusion® ERCP Catheter with DomeTip®

Used for endoscopic cannulation of the ductal system.

- DomeTip® designed with anatomy in mind for smooth, easy access
- Radiopaque tip optimizes fluoroscopic visualization
- Mark V System® provides endoscopic visualization at 5, 10 and 15 cm from the distal tip of the catheter signifying cannulation depth



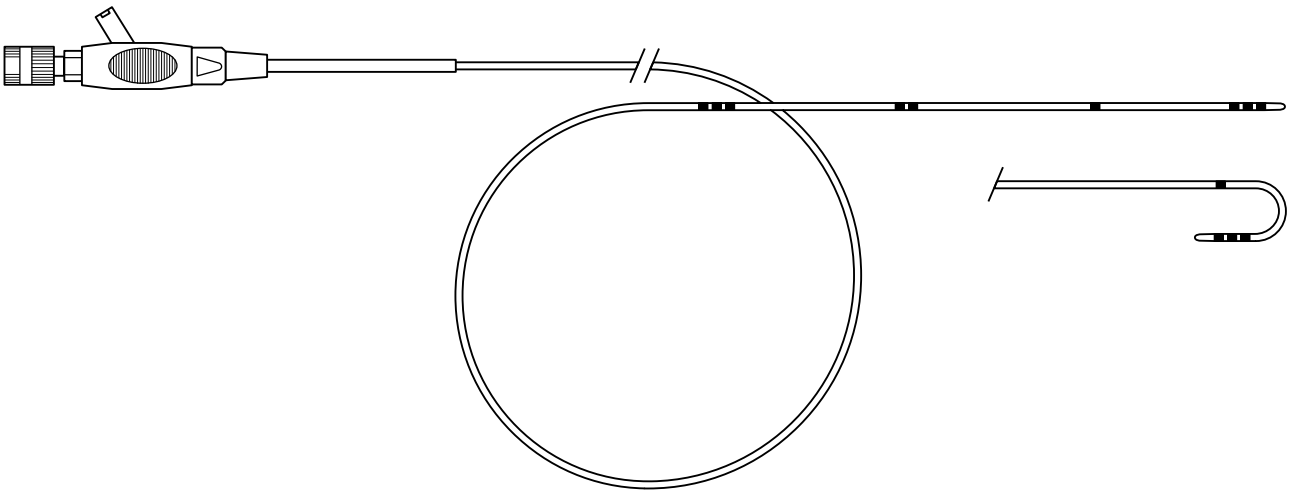
Order Number	Reference Part Number	Catheter Size Fr	Tip Shape	Catheter Length cm	Wire Guide Diameter inch	Minimum Accessory Channel mm
G31528	FS-GT-2	6	DomeTip	200	.035	3.2



Glo-Tip II® Double Lumen ERCP Catheter

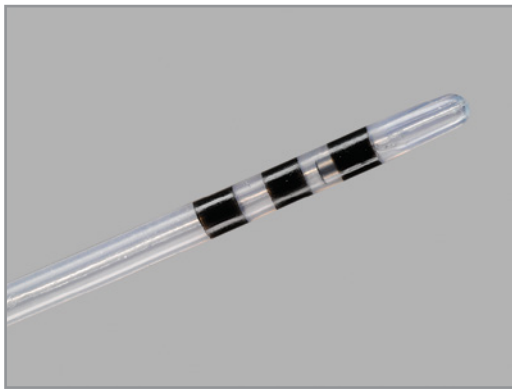
This device is used for endoscopic cannulation of the ductal system.

- DomeTip® designed with anatomy in mind for smooth, easy access
- Double lumen design permits contrast injection through a dedicated lumen while catheter is placed over a wire guide
- Radiopaque tip optimizes fluoroscopic visualization
- Mark V System® provides endoscopic visualization at 5, 10 and 15 cm from the distal tip of the catheter signifying cannulation depth



Order Number	Reference Part Number	Catheter Size Fr	Tip Shape	Catheter Length cm	Stylet Length cm	Wire Guide Diameter inch	Minimum Accessory Channel mm
G22226	GT-2-T	6	DomeTip	200	100	.035	2.8
G24506	GT-2-T-ANG	6	DomeTip	200	100	.035	2.8

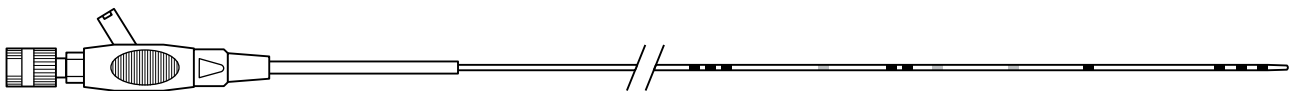
Biliary/Pancreatic - Catheters



Glo-Tip II® Double Lumen ERCP Catheter with Radiopaque Bands

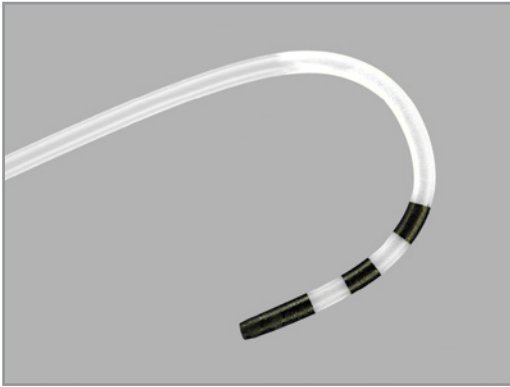
Used for endoscopic cannulation of the ductal system.

- DomeTip® designed with anatomy in mind for smooth, easy access
- Double lumen design permits contrast injection through a dedicated lumen while catheter is placed over a wire guide
- Radiopaque tip optimizes fluoroscopic visualization
- Mark V System® - with radiopaque bands at 5, 7, 9 and 12 cm - can be used to determine stent length and to verify cannulation depth



Order Number	Reference Part Number	Catheter Size Fr	Tip Shape	Catheter Length cm	Stylet Length cm	Wire Guide Diameter inch	Minimum Accessory Channel mm
G24694	GT-2-T-RB	6	DomeTip	200	100	.035	2.8

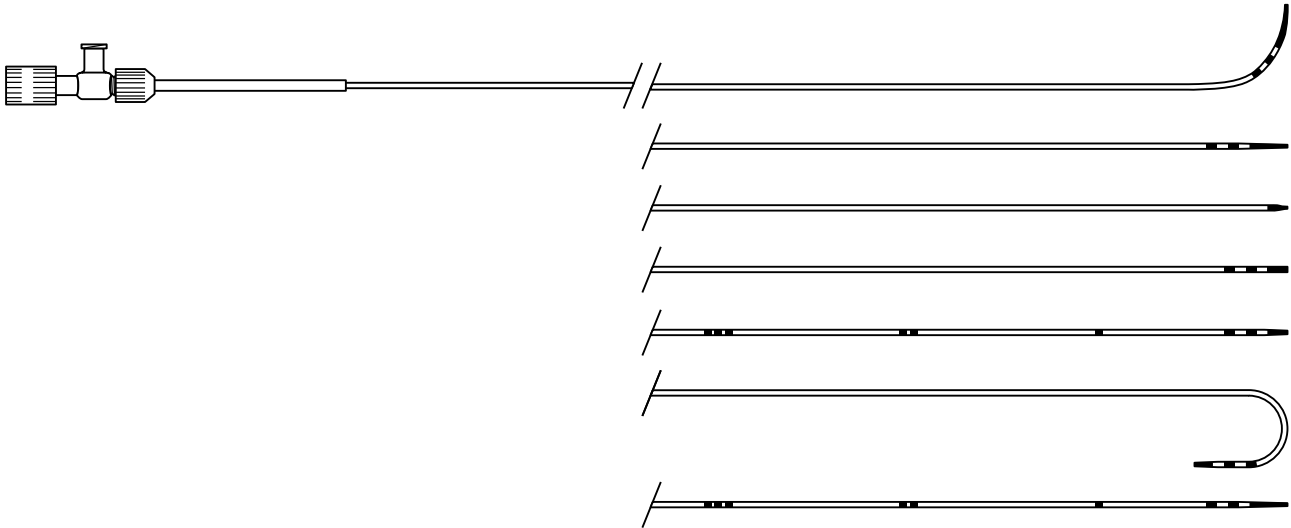
Radiopaque bands at 5, 7, 9 and 12 cm.



Glo-Tip® ERCP Catheter

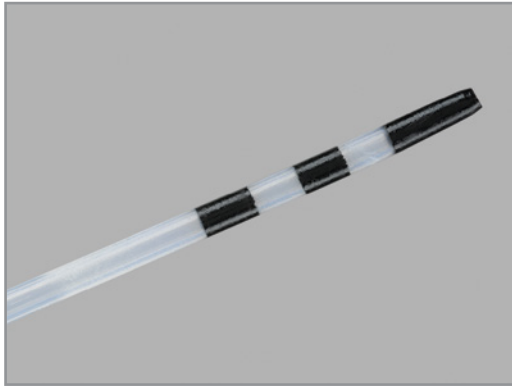
Used for endoscopic cannulation of the ductal system.

- The Glo-Tip ERCP Catheter allows injection of contrast and provides the ability to maintain wire guide access to the desired duct for the introduction of compatible devices
- Radiopaque tip optimizes fluoroscopic visualization



Order Number	Reference Part Number	Catheter Size Fr	Tip Shape	Catheter Length cm	Stylet Length cm	Wire Guide Diameter inch	Minimum Accessory Channel mm
G22302	GT-5-4-3	5.5-3	precurved graduated taper	200	100	.018	2.8
G21452	GT-1-LT	5.5-3.5	long taper	200	100	.021	2.8
G21500	GT-1-ST	5.5-3.5	short taper	200	100	.025	2.8
G22093	GT-1	5.5	standard	200	100	.035	2.8
G22621	GT-1-T	5.5-4.5	taper	200	100	.035	2.8
G22719	GT-1-TE	5.5-4.5	taper	320	220	.035	2.8
G21965	GT-1-T-ANG	5.5-4.5	angled taper	200	100	.035	2.8
G22305	GT-1-UT	5.5-4	ultra taper	200	100	.035	2.8

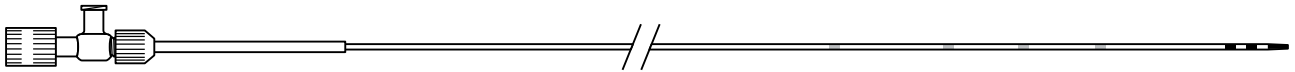
Biliary/Pancreatic - Catheters



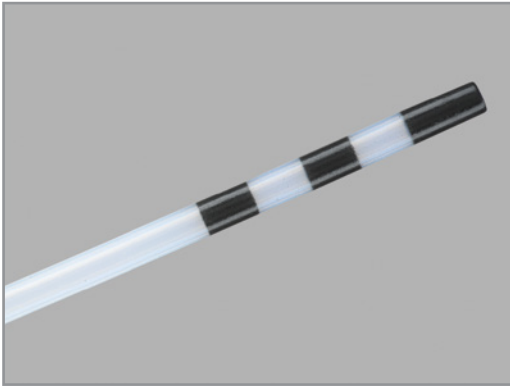
Glo-Tip® ERCP Catheter with Radiopaque Bands

Used for endoscopic cannulation of the ductal system.

- This catheter allows injection of contrast and provides the ability to maintain wire guide access to the desired duct for the introduction of compatible devices
- Radiopaque tip optimizes fluoroscopic visualization
- Radiopaque bands at 5, 7, 9 and 12 cm.



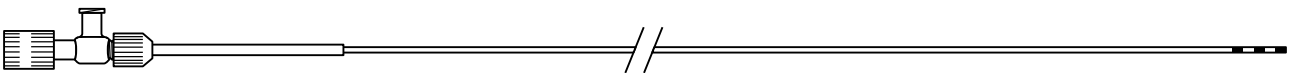
Order Number	Reference Part Number	Catheter Size Fr	Tip Shape	Catheter Length cm	Stylet Length cm	Wire Guide Diameter inch	Minimum Accessory Channel mm
G24693	GT-1-T-RB	5.5-4.5	taper	200	100	.035	2.8



Classic ERCP Catheter

Used for endoscopic cannulation of the ductal system.

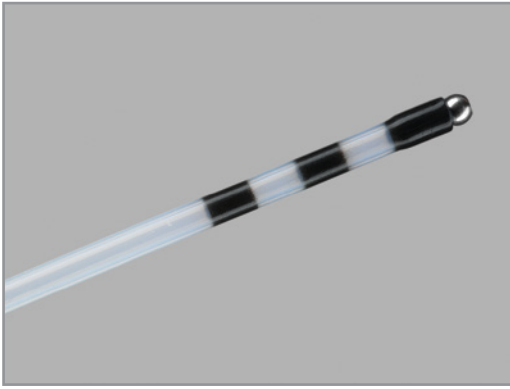
- This catheter allows injection of contrast and provides the ability to maintain wire guide access to the desired duct for the introduction of compatible devices
- 3 mm etched markings at the distal tip



Order Number	Reference Part Number	Catheter Size Fr	Tip Shape	Catheter Length cm	Stylet Length cm	Wire Guide Diameter inch	Minimum Accessory Channel mm
G22103	ERCP-1-LT	5.5-3.5	long taper	200	100	.021	2.8
G25791	ERCP-1	5.5	standard	200	100	.035	2.8
G22030	ERCP-1-BT*	5.5	metal radiopaque bullet	200	100	.035	2.8
G21765	ERCP-1-CRAMER	5.5	metal cannula	200	100	N/A	2.8

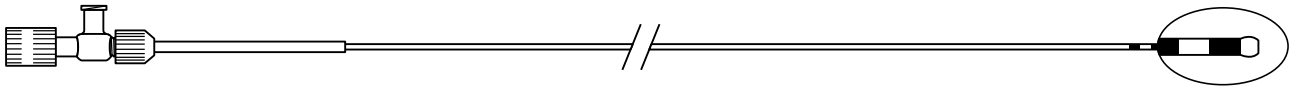
*Recommend Standard wire guide (page 22) for metal tip devices, all sold separately.

Biliary/Pancreatic - Catheters

**Huibregtse-Katon® ERCP Catheter**

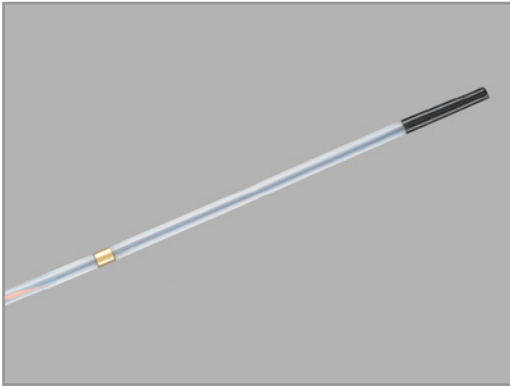
Used for endoscopic cannulation of the ductal system.

- This catheter allows injection of contrast and provides the ability to maintain wire guide access to the desired duct for the introduction of compatible devices
- 3 mm etched markings at the distal tip
- Radiopaque ball tip provides excellent fluoroscopic visibility



Order Number	Reference Part Number	Catheter Size Fr	Tip Shape	Catheter Length cm	Stylet Length cm	Wire Guide Diameter inch	Minimum Accessory Channel mm
G21868	ERCP-1-HKB	5.5	metal ball	200	100	.035	2.8

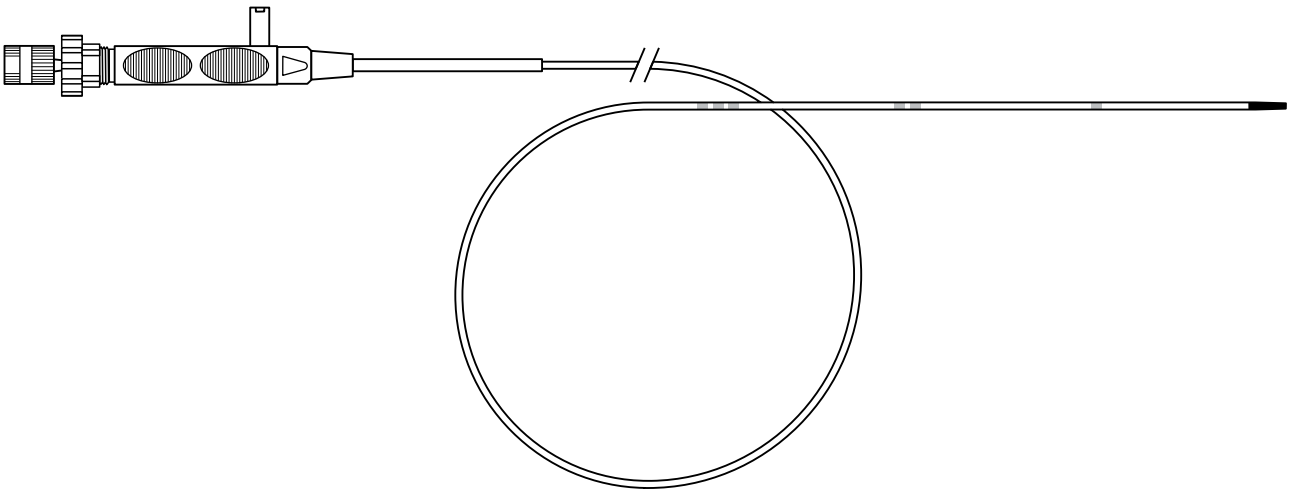
Recommend Standard wire guide (page 22), sold separately.



D.A.S.H.® ERCP Catheter

Used for endoscopic cannulation of the ductal system.

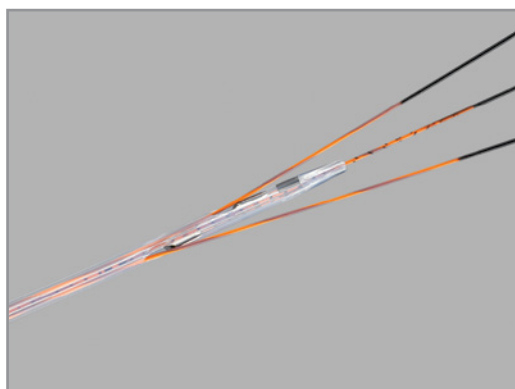
- Integrated hub enhances wire control and injection capabilities. If preloaded, it will also aid in bridging difficult strictures during ERCP
- Tuohy-Borst adapter provides wire guide access while simultaneously allowing contrast injection
- Radiopaque tip optimizes fluoroscopic visualization
- Mark V System® provides endoscopic visualization at 5, 10 and 15 cm from the distal tip of the catheter signifying cannulation depth



Order Number	Reference Part Number	Catheter Size Fr	Tip Shape	Catheter Length cm	Wire Guide Diameter inch	Minimum Accessory Channel mm
G25514	DASH-T	5.5-4.5	taper	193	.025	2.8
G25515	DASH-T-480*	5.5-4.5	taper	193	.025	2.8

*Preloaded with Tracer Metro® Direct™ wire guide.

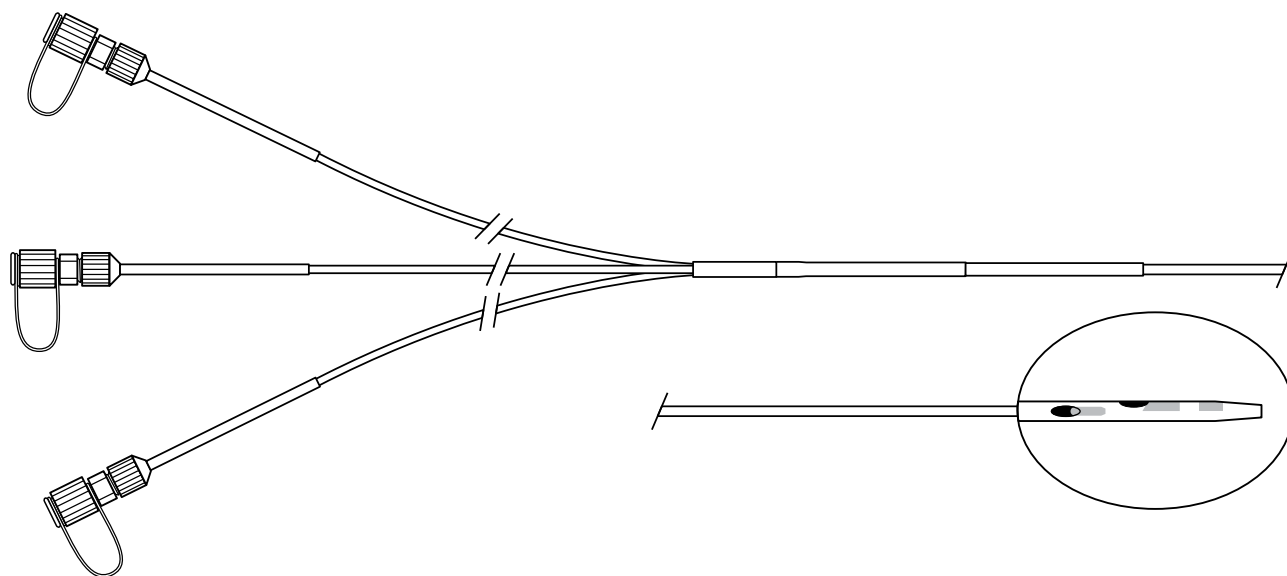
Biliary/Pancreatic - Catheters



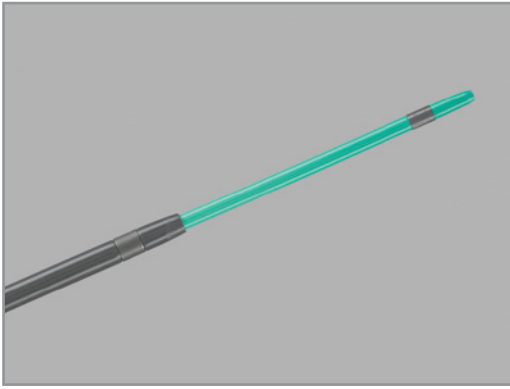
Haber RAMP™ Catheter

Used for endoscopic cannulation of the ductal system.

- The triple lumen feature allows injection of contrast while providing wire guide access to the desired duct
- Accepts three .035" wire guides, permitting choice of specialty wires for passage of difficult strictures and enabling physicians to place three wires simultaneously
- Radiopaque tip optimizes fluoroscopic visualization



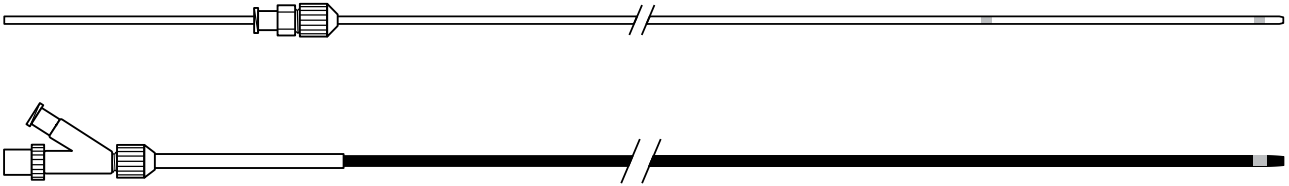
Order Number	Reference Part Number	Catheter Size Fr	Tip Shape	Catheter Length cm	Wire Guide Diameter inch	Description	Minimum Accessory Channel mm
G25194	HRC-1	8-6	taper	200	.035	triple lumen with radiopaque tip and side ramps	3.2



Cunningham-Cotton™ Sleeve

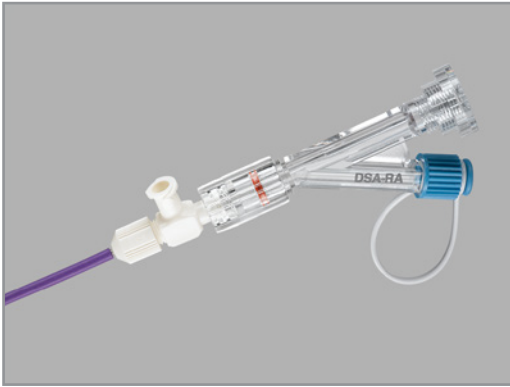
Used for endoscopic cannulation of the ductal system.

- The outer sleeve allows maintained access to the biliary duct to facilitate papillotomy/sphincterotomy, biliary stent placement, or nasal biliary drainage



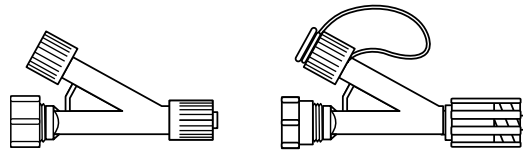
Order Number	Reference Part Number	Sleeve Size Fr	Sleeve Length cm	Dilator Size Fr	Dilator Length cm	Wire Guide Diameter inch	Minimum Accessory Channel mm
G25799	CCS-1	9.5	157	6	340	.035	3.7

Biliary/Pancreatic - Catheters

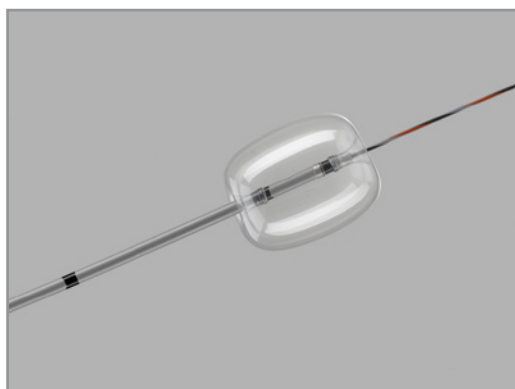


Side Arm Adapter

Used for injection of sterile water or contrast through catheters during wire guide use.



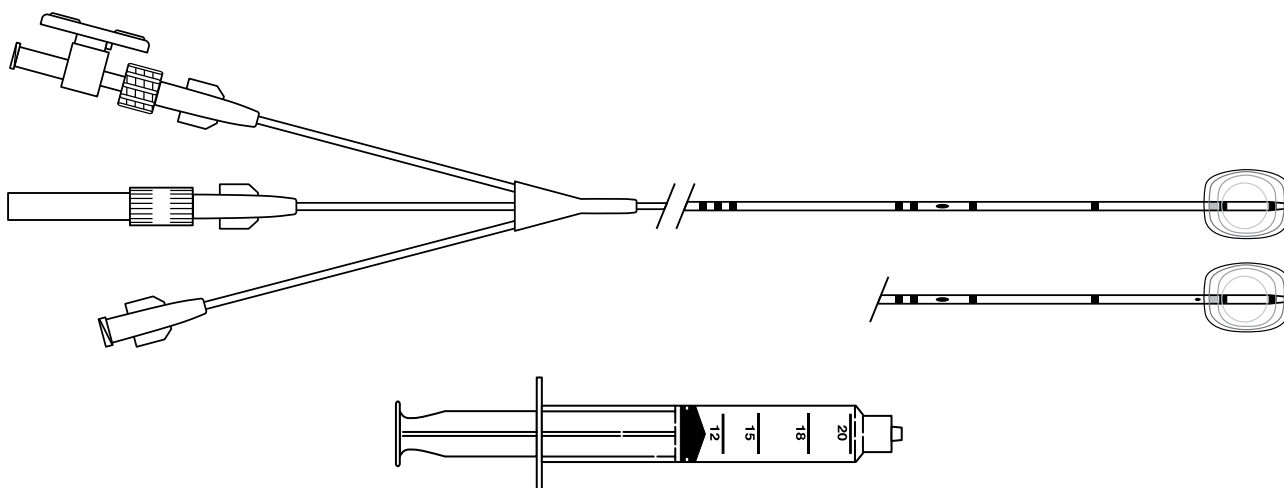
Order Number	Reference Part Number	Description	Wire Guide Diameter inch	Box Quantity
G22676	DSA-1-S	non-rotating	.018	10
			.021	
			.025	
			.035	
G22677	DSA-RA-S	rotatable	.018	10
			.021	
			.025	
			.035	



Fusion® Quattro® Extraction Balloon

Used for endoscopic removal of stones in the biliary system and for contrast injection.

- 4 inflation diameters in 1 device to meet your specific clinical needs
- Catheter design allows for pushability through the accessory channel
- Ease of injection with contrast exiting the distal tip for above injection balloons
- Radiopaque bands enhance fluoroscopic visualization of the extraction balloon
- Reference marks on syringe indicate each inflation diameter
- Mark V System® provides endoscopic visualization at 5, 10 and 15 cm from the distal tip of the catheter signifying cannulation depth



Order Number	Reference Part Number	Catheter Size Fr	Catheter Length cm	Wire Guide Diameter inch	Balloon Diameter mm	Injection Port	Minimum Accessory Channel mm
G48225	FS-QEB-A	6.6	200	.035	8.5 10 12 15	above balloon	3.2
G48226	FS-QEB-B	6.6	200	.035	8.5 10 12 15	below balloon	3.2
G31921	FS-QEB-XL-A	6.6	200	.035	12 15 18 20	above balloon	3.2
G31922	FS-QEB-XL-B	6.6	200	.035	12 15 18 20	below balloon	3.2

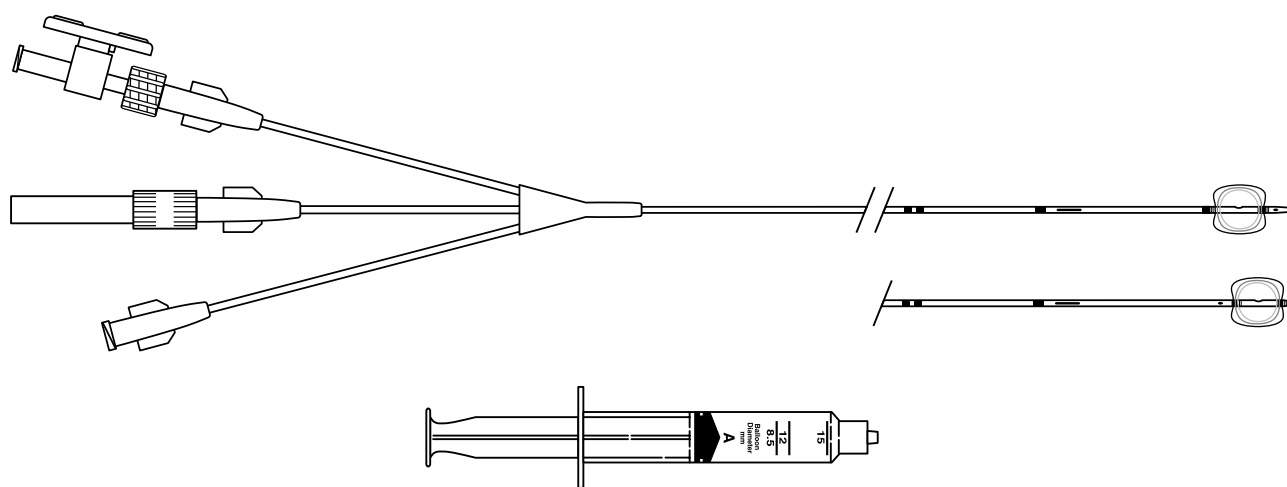
Caution: This product contains natural rubber latex, which may cause allergic reactions.



Fusion® Extraction Balloon

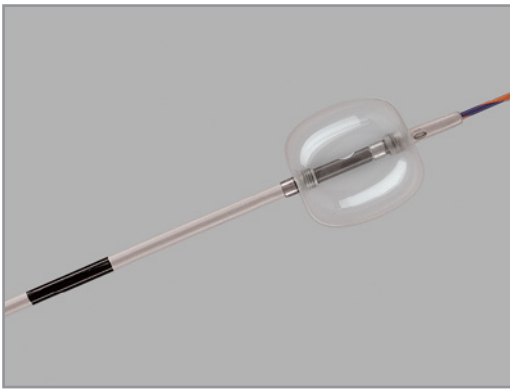
Used for endoscopic removal of stones in the biliary system and for contrast injection.

- The advantage of three inflation diameters - 8.5, 12, or 15 mm in one device to meet your specific clinical needs
- Reference marks on the syringe for each of the balloon inflation diameters
- Larger injection lumens enhance contrast flow without compromising wire guide movement
- Radiopaque bands identify balloon location fluoroscopically
- Mark V System® provides endoscopic visualization at 5, 10 and 15 cm from the distal tip of the catheter signifying cannulation depth



Order Number	Reference Part Number	Catheter Size Fr	Catheter Length cm	Wire Guide Diameter inch	Balloon Diameter mm	Injection Port	Minimum Accessory Channel mm
G31537	FS-8.5-12-15-A	7-5	200	.035	8.5 12 15	above balloon	3.2
G31538	FS-8.5-12-15-B	7-5	200	.035	8.5 12 15	below balloon	3.2

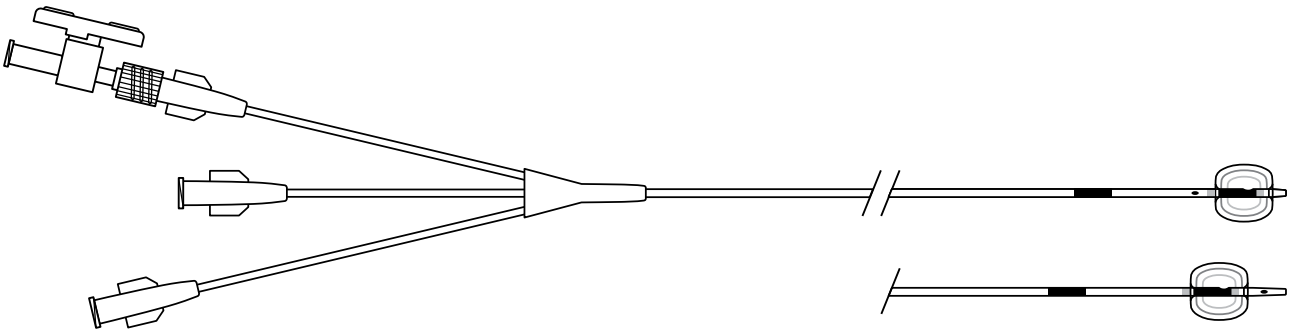
Caution: This product contains natural rubber latex, which may cause allergic reactions.



Tri-Ex® Multiple Size Extraction Balloon

Used for endoscopic removal of biliary stones.

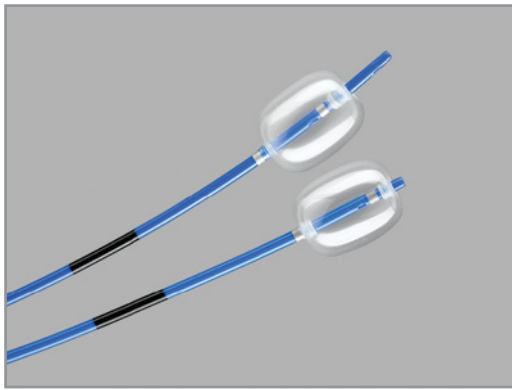
- Radiopaque catheter enhances fluoroscopic visualization
- Three separate lumens allow for contrast injection, without compromising wire guide movement
- Reference marks on the syringe provide the opportunity to inflate the balloon to 8.5, 12 or 15 mm, to meet clinical needs
- Radiopaque bands identify balloon location fluoroscopically
- Black etched mark provides endoscopic identification that the balloon is about to exit the papilla
- Injection ports above or below the balloon are available



Order Number	Reference Part Number	Catheter Size Fr	Catheter Length cm	Balloon Diameter mm	Wire Guide Diameter inch	Injection Port	Minimum Accessory Channel mm
G26856	TXR-8.5-12-15-A	7-5	200	8.5 12 15	.035	above balloon	2.8
G26857	TXR-8.5-12-15-B	7-5	200	8.5 12 15	.035	below balloon	2.8
G50695	TXR-ME	6.6	275	8.5 12 15	.035	above balloon	3.2

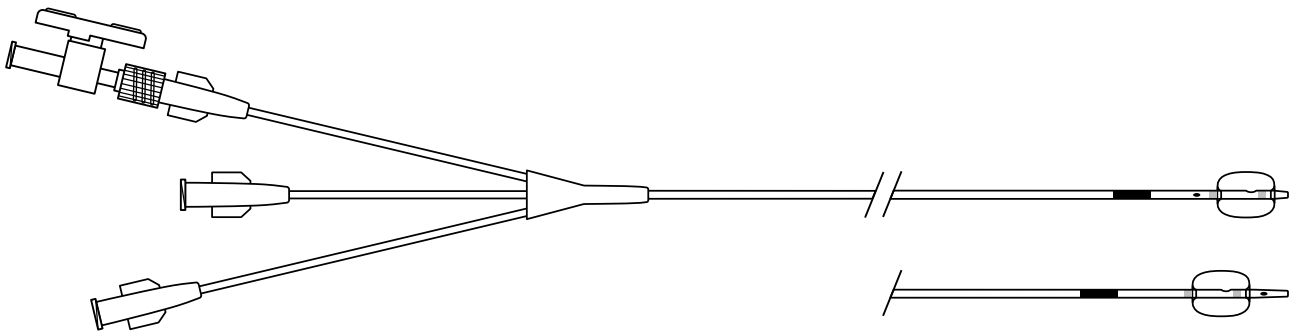
Caution: This product contains natural rubber latex, which may cause allergic reactions.

Biliary/Pancreatic - Extraction

**Tri-Ex® Triple Lumen Extraction Balloon**

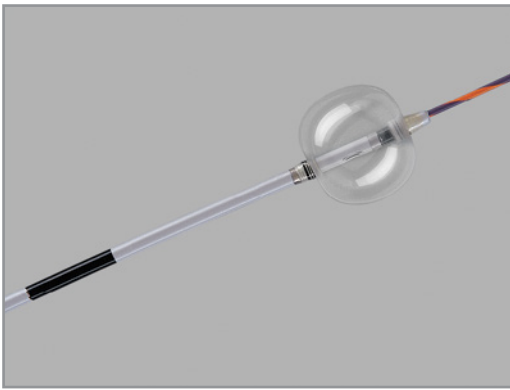
Used for endoscopic removal of biliary stones.

- Three separate lumens allow for contrast injection, without compromising wire guide movement
- Radiopaque bands at each end of balloon provide fluoroscopic visualization



Order Number	Reference Part Number	Catheter Size Fr	Catheter Length cm	Balloon Diameter mm	Balloon Volume cc	Wire Guide Diameter inch	Injection Port	Minimum Accessory Channel mm
G22530	TX-8.5-A	7-5	200	8.5	1.5	.035	above balloon	2.8
G22531	TX-8.5-B	7-5	200	8.5	1.5	.035	below balloon	2.8
G22532	TX-12-A	7-5	200	12	3	.035	above balloon	2.8
G22533	TX-12-B	7-5	200	12	3	.035	below balloon	2.8
G22534	TX-15-A	7-5	200	15	4	.035	above balloon	2.8
G22535	TX-15-B	7-5	200	15	4	.035	below balloon	2.8

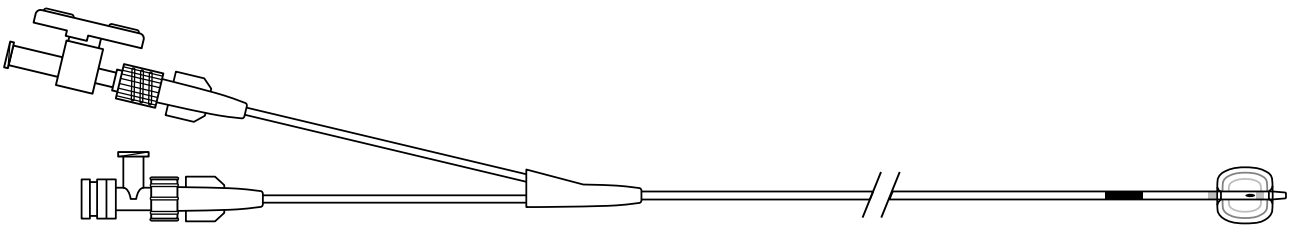
Caution: This product contains natural rubber latex, which may cause allergic reactions.



Escort II® Multiple Size Extraction Balloon

Used for endoscopic removal of biliary stones.

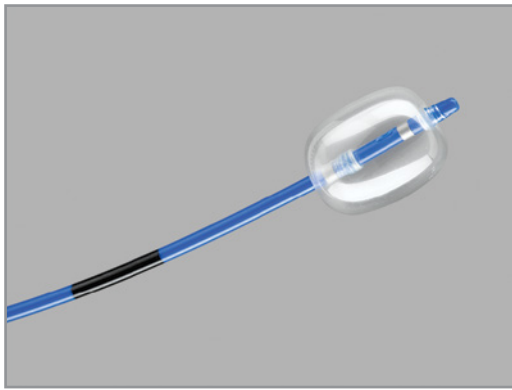
- The double lumen feature provides contrast or wire guide access to the desired location during extraction and facilitates wire guide exchange
- 3 inflation diameters in 1 device
- Radiopaque catheter enhances fluoroscopic visualization
- Black mark provides endoscopic identification that the balloon is about to exit the papilla



Order Number	Reference Part Number	Catheter Size Fr	Catheter Length cm	Balloon Diameter mm	Wire Guide Diameter inch	Tip Shape	Minimum Accessory Channel mm
G26844	EBLR-8.5-12-15	6.8-5	200	8.5 12 15	.035	taper	2.8

Caution: This product contains natural rubber latex, which may cause allergic reactions.

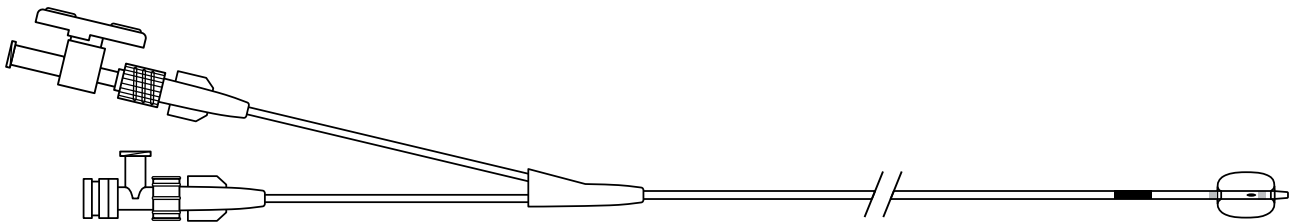
Biliary/Pancreatic - Extraction



Escort II® Double Lumen Extraction Balloon

Used for endoscopic removal of biliary stones.

- The double lumen feature provides wire guide access to the desired location during extraction and facilitates wire guide exchange
- Radiopaque catheter enhances fluoroscopic visualization
- Black mark provides endoscopic identification that the balloon is about to exit the papilla



Order Number	Reference Part Number	Catheter Size Fr	Catheter Length cm	Balloon Diameter mm	Wire Guide Diameter inch	Tip Shape	Minimum Accessory Channel mm
G21664	EBL-8.5-200	6.8-5	200	8.5	.035	taper	2.8
G21603	EBL-12-200	6.8-5	200	12	.035	taper	2.8
G22262	EBL-15-200	6.8-5	200	15	.035	taper	2.8

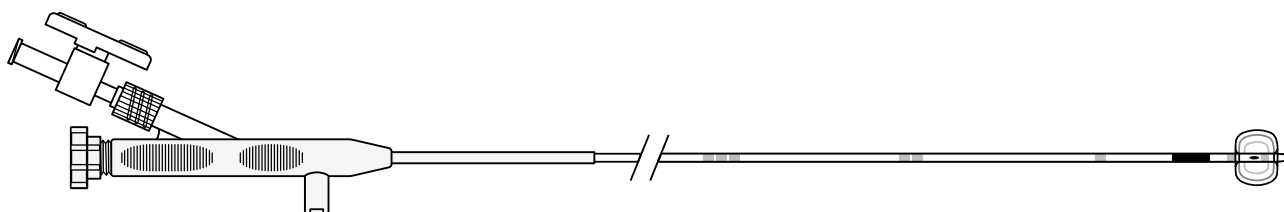
Caution: This product contains natural rubber latex, which may cause allergic reactions.



D.A.S.H.® Extraction Balloon with Multiple Sizing

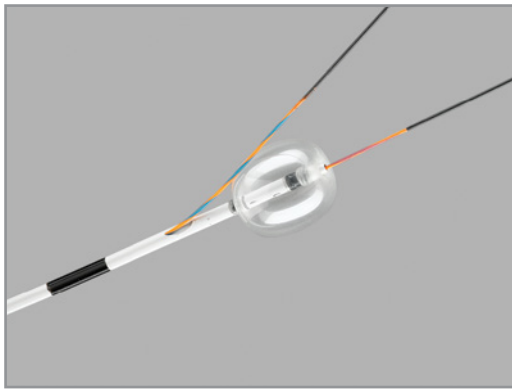
Used for endoscopic removal of biliary stones.

- Integrated D.A.S.H. hub provides wire guide access while conveniently allowing contrast injection and balloon inflation/deflation
- Double lumen feature provides individual lumens for wire guide placement and balloon inflation
- 3 inflation diameters in 1 device
- Black mark provides endoscopic identification that the balloon is about to exit the papilla
- Mark V System® provides endoscopic visualization at 5, 10 and 15 cm from the distal tip of the catheter signifying cannulation depth



Order Number	Reference Part Number	Catheter Size Fr	Catheter Length cm	Balloon Diameter mm	Wire Guide Diameter inch	Minimum Accessory Channel mm
G25620	DASH-8.5-12-15	6	200	8.5 12 15	.025	2.8

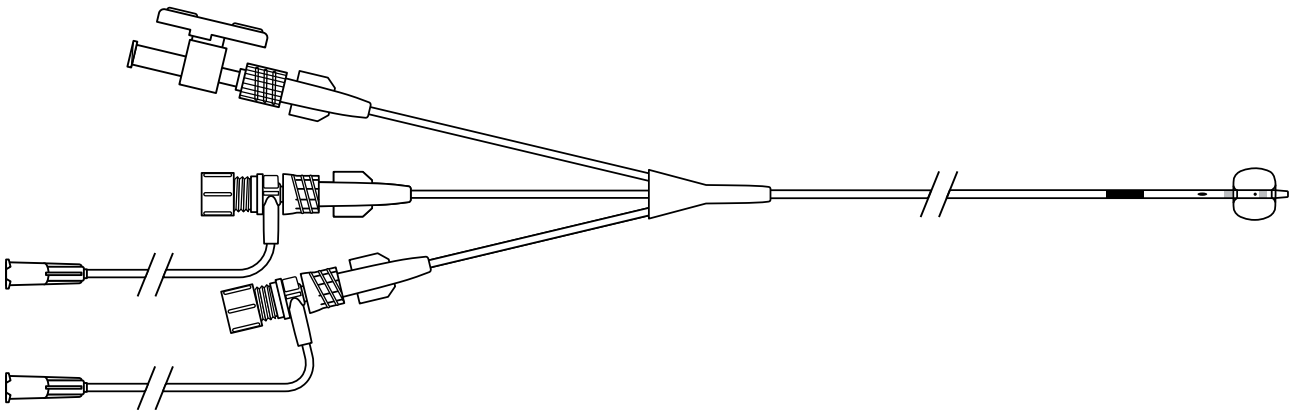
Caution: This product contains natural rubber latex, which may cause allergic reactions.



Bouncer™ Multi-Path Occlusion Balloon

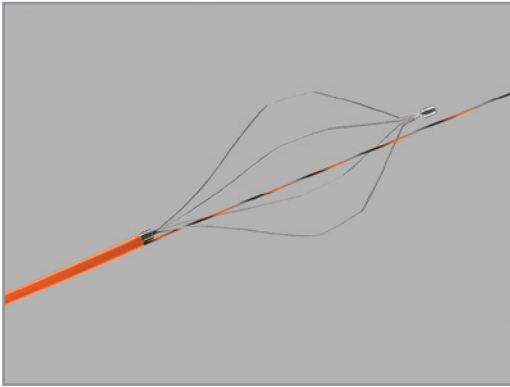
Used for endoscopic removal of biliary stones.

- Contrast injection sites above and below balloon for maximum visualization
- Two lumens for wire guide placement and/or contrast injection
- Radiopaque bands at each end of balloon provide fluoroscopic visualization of balloon location
- Packaged with pre-measured syringe to ensure accurate balloon inflation
- Tuohy-Borst adapter can be locked to keep wire in place and help to maintain ductal access



Order Number	Reference Part Number	Catheter Size Fr	Catheter Length cm	Balloon Diameter mm	Wire Guide Diameter inch	Tip Shape	Minimum Accessory Channel mm
G26840	MOB-15	6.6-5	200	15	.025 & .035	taper	3.2

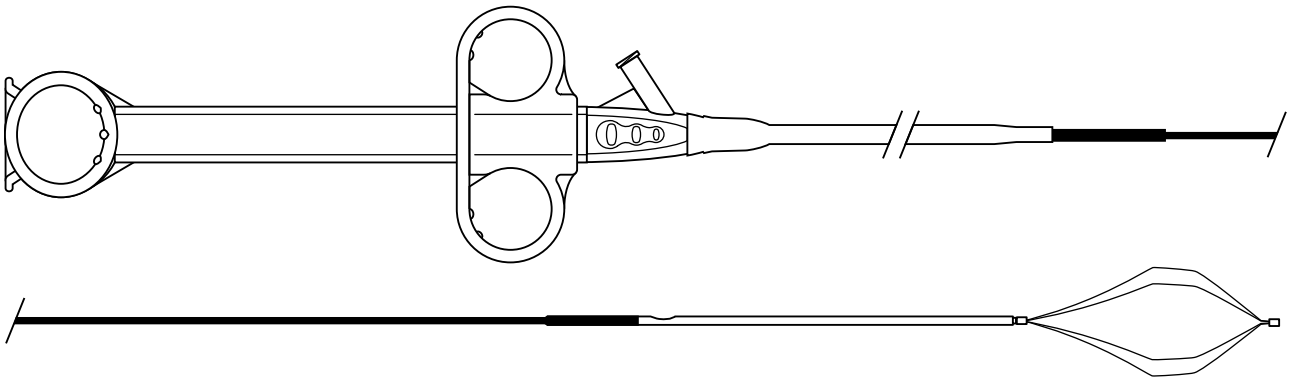
Caution: This product contains natural rubber latex, which may cause allergic reactions.



Fusion® Lithotripsy Extraction Basket

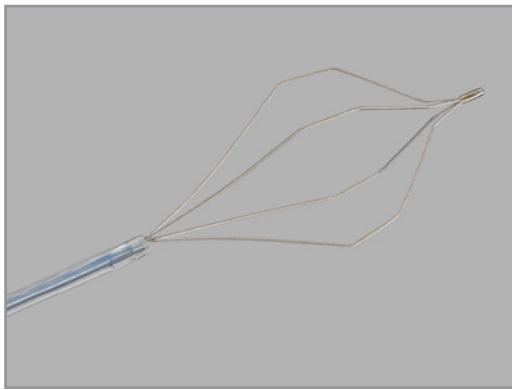
Used for endoscopic removal of biliary stones and foreign bodies.

- Mechanical lithotripsy option with no assembly required
- Multifilament basket designed to retain shape without leaving a foreign body behind
- Flexible, coil spring catheter provides pushability
- Wire guided capability maintains ductal access during multiple basket sweeps



Order Number	Reference Part Number	Basket Diameter cm	Basket Length cm	Sheath Size Fr	Sheath Length cm	Wire Guide Diameter inch	Minimum Accessory Channel mm
G48277	FS-LXB-2X4	2	4	10	208	.035	4.2
G48278	FS-LXB-3X6	3	6	10	208	.035	4.2

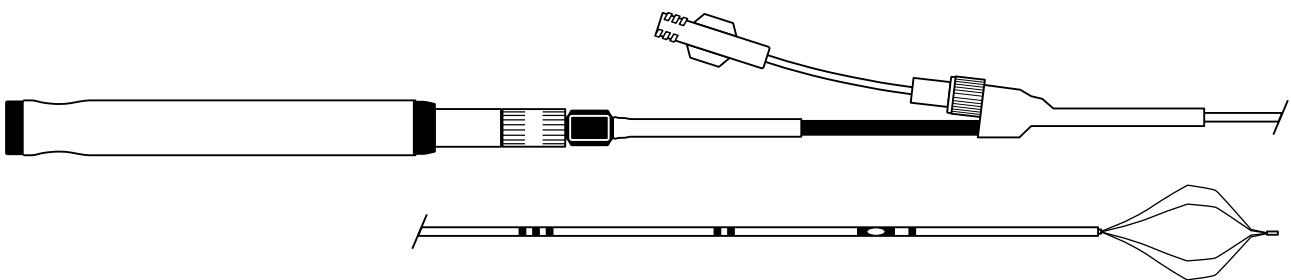
Compatible with Conquest TTC (page 68) and Soehendra Lithotriptor Handle (page 69).



Fusion® Extraction Basket

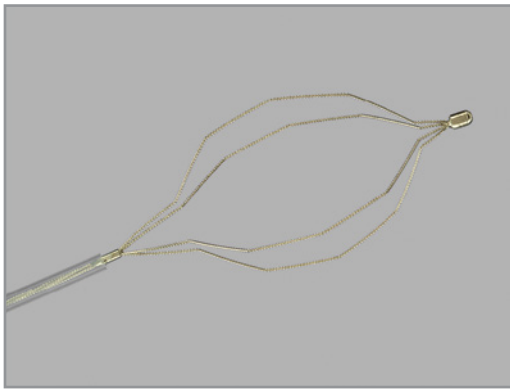
Used for endoscopic removal of biliary stones and foreign bodies.

- Wire guided to negotiate difficult anatomies
- The ergonomically designed handle facilitates control and functionality
- Soft, multifilament basket for smooth stone extraction
- Mark V System® provides endoscopic visualization at 5, 10 and 15 cm from the distal tip of the catheter signifying cannulation depth



Order Number	Reference Part Number	Basket Diameter cm	Basket Length cm	Sheath Size Fr	Sheath Length cm	Wire Guide Diameter inch	Minimum Accessory Channel mm
G31905	FS-XB-2X4	2	4	8	200	.035	4.2

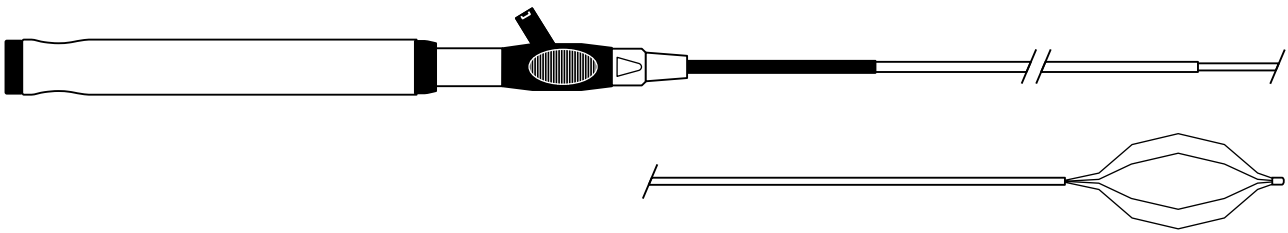
Not to be used with mechanical lithotripter.



The Web® Extraction Basket

Used for endoscopic removal of biliary stones and foreign bodies.

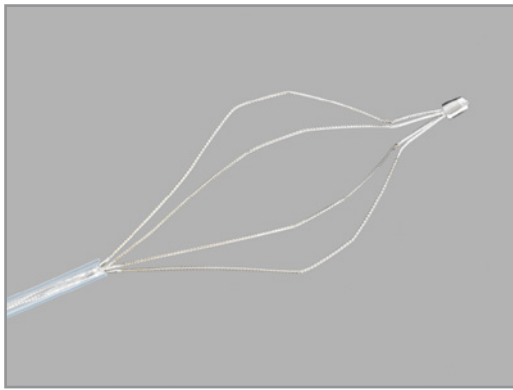
- Multifilament Memory wire permits superior basket shape retention
- Ergonomic handle design facilitates control and functionality
- Multiple basket sizes available for specific clinical needs



Order Number	Reference Part Number	Sheath Size Fr	Sheath Length cm	Multifilament Basket Size cm	Minimum Accessory Channel mm
G22775	WEB-1.5X3.5	7	220	1.5 x 3.5	2.8
G22776	WEB-2X4	7	220	2 x 4	2.8
G22777	WEB-2.5X5	7	220	2.5 x 5	2.8
G22778	WEB-3X6	7	220	3 x 6	2.8

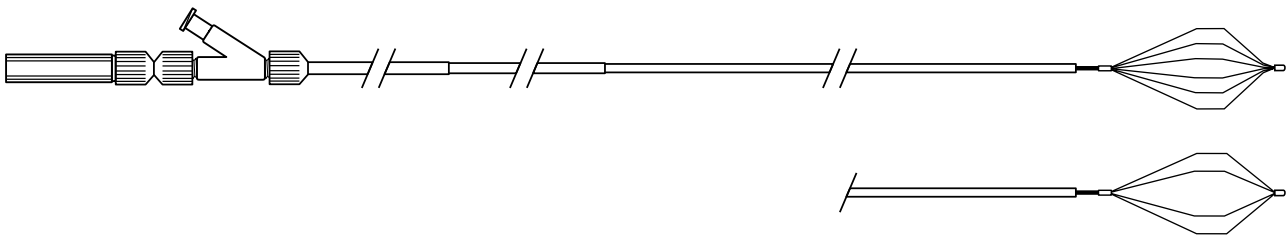
Compatible with Conquest TTC (page 68) and Soehendra Lithotripter Handle (page 69).

Biliary/Pancreatic - Extraction

**Memory Basket® 7 Fr Soft Wire**

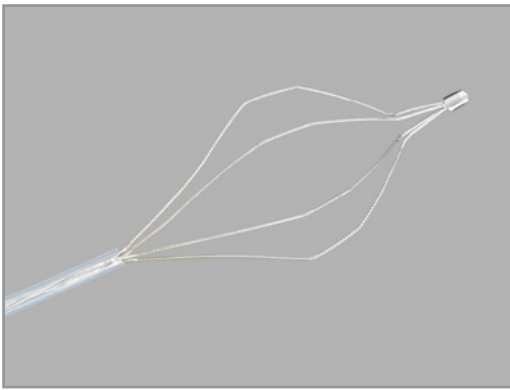
Used for endoscopic removal of biliary stones and foreign bodies.

- Basket constructed of multifilament memory wire for shape retention
- Reusable
- Rotatable pin vise handle assists in capturing stones



Order Number	Reference Part Number	Sheath Size Fr	Sheath Length cm	Multifilament Basket Size cm	Number of Wires	Handle Type	Minimum Accessory Channel mm
G22136	MSB-1.5X3.5	7	220	1.5 x 3.5	4	rotatable pin vise	2.8
G21525	MSB-2X4	7	220	2 x 4	4	rotatable pin vise	2.8
G21544	MSB-2X4-6	7	220	2 x 4	6	rotatable pin vise	2.8
G22019	MSB-2.5X5	7	220	2.5 x 5	4	rotatable pin vise	2.8
G21562	MSB-3X6	7	220	3 x 6	4	rotatable pin vise	2.8
G21913	MSB-3X6-6	7	220	3 x 6	6	rotatable pin vise	2.8

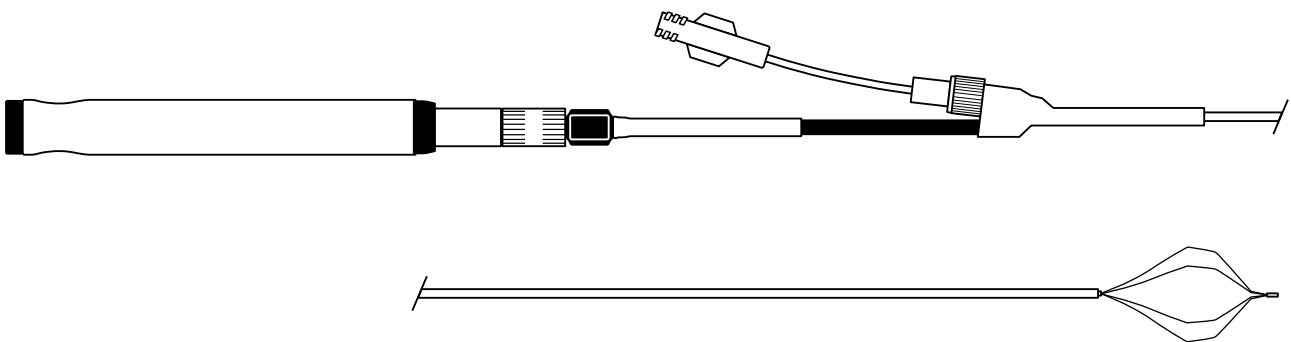
Compatible with Conquest TTC (page 68) and Soehendra Lithotripter (page 69).



The Web® II Double Lumen Extraction Basket

Used for endoscopic removal of biliary stones and foreign bodies.

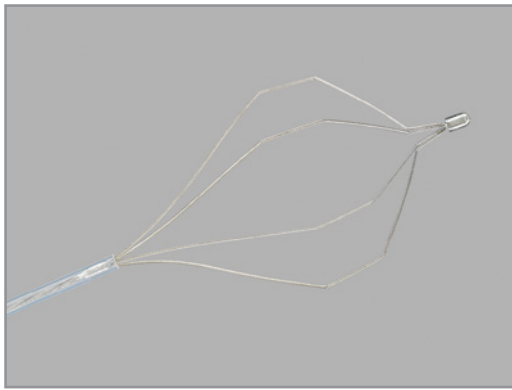
- The double lumen feature provides wire guide access to the desired location during extraction and facilitates wire guide exchange
- Basket constructed of multifilament memory wire for shape retention
- Ergonomic handle design facilitates control and functionality



Order Number	Reference Part Number	Sheath Size Fr	Sheath Length cm	Wire Guide Diameter inch	Multifilament Basket Size cm	Minimum Accessory Channel mm
G22303	MSB-35-2X4	8	200	.035	2 x 4	3.2

Not for use with mechanical lithotripter.

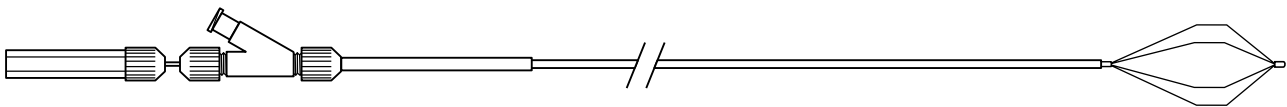
Biliary/Pancreatic - Extraction



Memory Basket® 5 Fr Soft Wire

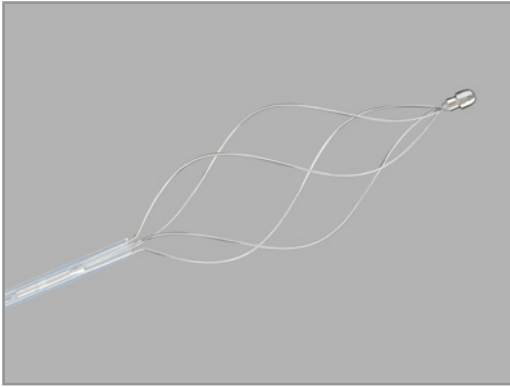
Used for endoscopic removal of biliary stones and foreign bodies.

- Basket constructed of multifilament memory wire for shape retention
- Rotatable pin vise handle assists in capturing stones



Order Number	Reference Part Number	Sheath Size Fr	Sheath Length cm	Multifilament Basket Size cm	Handle Type	Minimum Accessory Channel mm
G21547	MSB5-2X4	5	200	2 x 4	rotatable pin vise	2

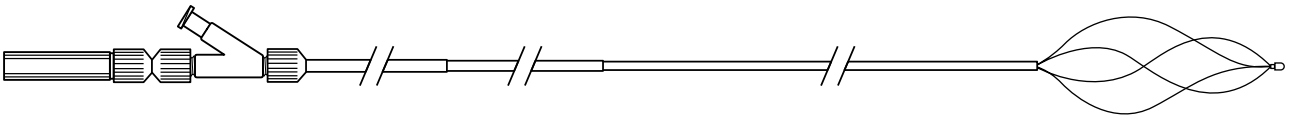
Not for use with mechanical lithotripter.



Memory Basket® 7 Fr Hard Wire

Used for endoscopic removal of biliary stones and foreign bodies.

- Basket constructed of monofilament memory wire for shape retention
- Rotatable pin vise handle assists in capturing stones

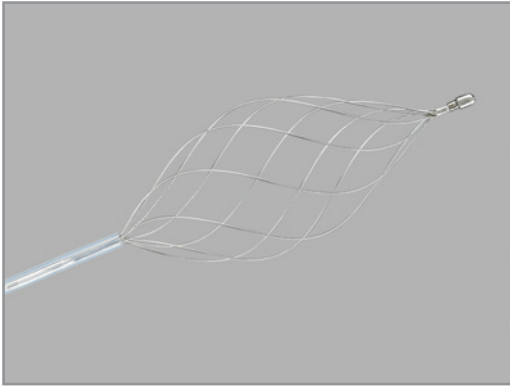


Order Number	Reference Part Number	Sheath Size Fr	Sheath Length cm	Monofilament Basket Size cm	Handle Type	Minimum Accessory Channel mm
G22002	MWB-2X4	7	200	2 x 4	rotatable pin vise	2.8
G22074	MWB-3X6	7	200	3 x 6	rotatable pin vise	2.8

Not for use with mechanical lithotripter.

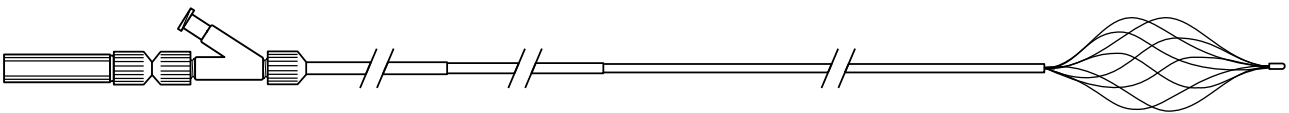
This device is supplied reusable.

Biliary/Pancreatic - Extraction

**Memory Basket® Eight Wire**

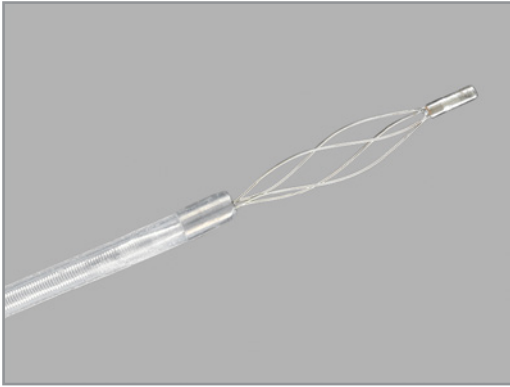
Used for endoscopic removal of biliary stones and foreign bodies.

- Basket constructed of monofilament memory wire for shape retention
- Eight wire basket design
- Rotatable pin vise handle assists in capturing stones



Order Number	Reference Part Number	Sheath Size Fr	Sheath Length cm	Monofilament Basket Size cm	Handle Type	Minimum Accessory Channel mm
G21538	MB5-2X4-8	5	200	2 x 4	rotatable pin vise	2
G21910	MB5-3X6-8	5	200	3 x 6	rotatable pin vise	2

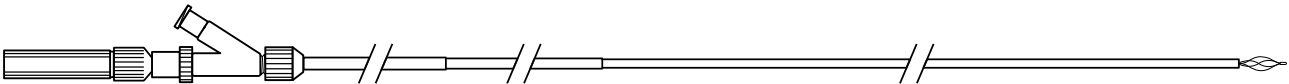
Not for use with mechanical lithotripter.



Mini Basket

Used for endoscopic removal of biliary stones and foreign bodies.

- 4 wire mini basket shape
- Basket is constructed of hard monofilament memory wire



Order Number	Reference Part Number	Sheath Size Fr	Sheath Length cm	Monofilament Basket Size cm	Handle Type	Minimum Accessory Channel mm
G21618	WCMB-200-4	5	200	5 mm x 1.3	rotatable pin vise	2

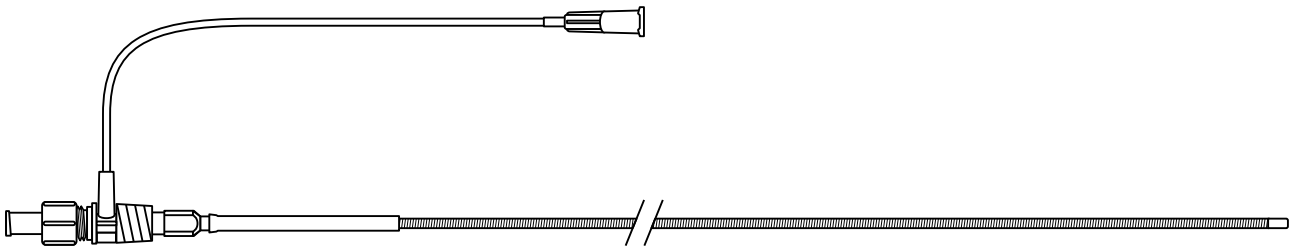
Not for use with mechanical lithotriptor.



Conquest TTC® Lithotripter Cable

Used to mechanically crush stones in the biliary duct when other methods of endoscopic removal have failed.

- The “through the channel” lithotripter cable accepts baskets compatible with the Soehendra Lithotripter Handle which is reusable
- Coil-spring cable provides flexibility and length for use through the channel of flexible endoscopes
- Flush adapter allows for contrast injection during procedure
- Compatible with Soehendra Lithotripter compatible soft wire extraction baskets

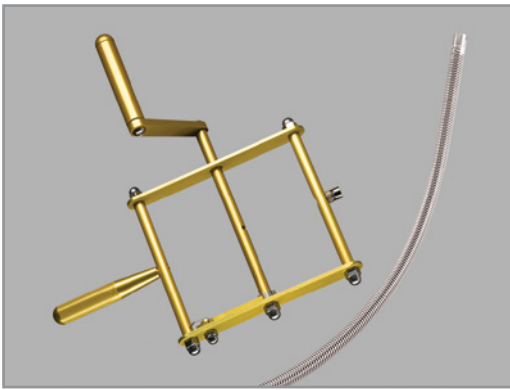


Order Number	Reference Part Number	Cable Size Fr	Cable Length cm	Minimum Accessory Channel mm
G25472	TTCL-1	8.5	170	3.2
G25518	TTCL-10	10	170	3.7

Soehendra Lithotripter Handle (page 69) sold separately.

Compatible with Memory Basket 7 Fr Soft Wire (page 62), The Web Extraction Baskets (page 61) and Fusion Lithotripsy Extraction Basket (page 59), sold separately.

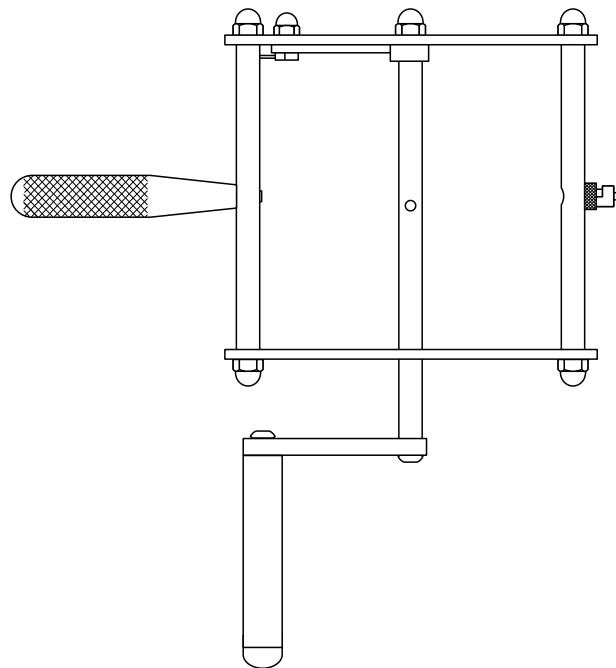
This device is supplied non-sterile.



Soehendra® Lithotripter

Used to mechanically crush stones in the bile duct when other methods of endoscopic removal have failed.

- Handle and cable sold separately.



Order Number	Reference Part Number	Cable Size Fr	Cable Length cm	Description
G21860	SLH-1	n/a	n/a	aluminum lithotripsy handle
G21604	SLC-2	14	82	lithotripsy cable

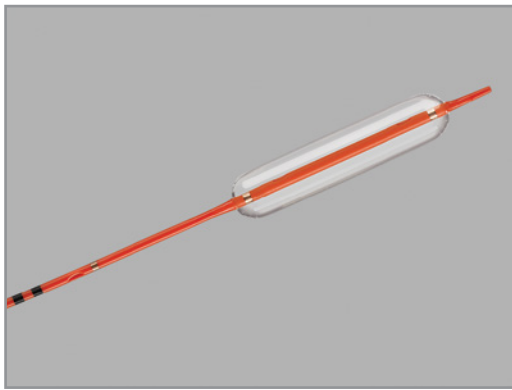
Compatible with Memory Basket 7 Fr Soft Wire (page 62), The Web Extraction Baskets (page 61) and Fusion Lithotripsy Extraction Basket (page 59), sold separately.

SLH-1 compatible with Conquest TTC (page 68).

SLC-2 not compatible with Fusion Lithotripsy Extraction Basket.

This device is supplied non-sterile and is reusable.

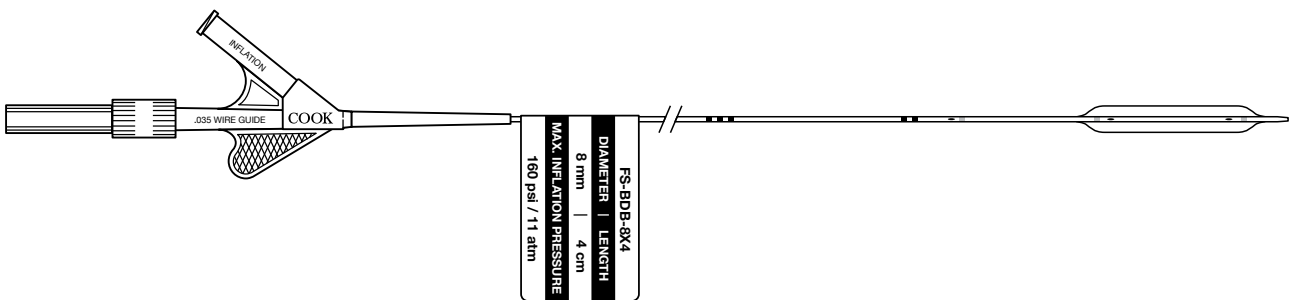
Biliary/Pancreatic - Dilation



Fusion® Titan™ Biliary Dilation Balloon

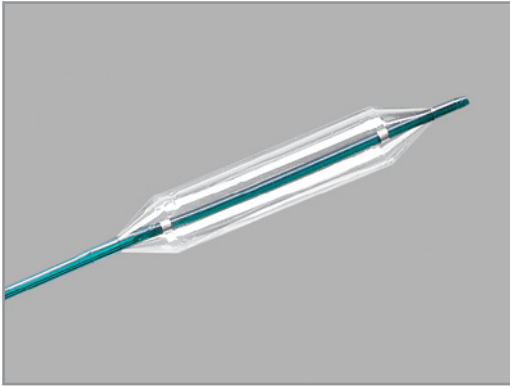
Used to dilate strictures of the biliary tree.

- Multiport balloon catheter design allows for simultaneous anchoring during dilation
- Catheter design facilitates ease of inflation and deflation and delivers pushability when navigating through difficult strictures
- Low profile, minimally-compliant balloon material delivers expected therapeutic dilation outcomes
- Catheter tag displays maximum balloon inflation pressure for added procedural convenience
- Radiopaque bands located on either end of the balloon provide clear fluoroscopic visualization



Order Number	Reference Part Number	Catheter Length cm	Wire Guide Diameter inch	Balloon Diameter mm	Balloon Diameter Fr	Balloon Length cm	Minimum Accessory Channel mm
G49219	FS-BDB-4X4	190	.035	4	12	4	3.2
G49220	FS-BDB-6X4	190	.035	6	18	4	3.2
G49221	FS-BDB-8X4	190	.035	8	24	4	3.2
G49222	FS-BDB-10X4	190	.035	10	30	4	3.2

Compatible with the Quantum Biliary Inflation Device (page 72).



Quantum TTC® Biliary Balloon Dilator

Used to dilate strictures of the Sphincter of Oddi and biliary tree.

- Double lumen catheters separate lumens for inflation of balloon and wire guide
- P.E.T. balloon



Order Number	Reference Part Number	Catheter Size Fr	Catheter Length cm	Wire Guide Diameter inch	Balloon Diameter mm/Fr	Pressure atm	Pressure psi	Minimum Accessory Channel mm
G22654	QBD-4X3	6.8-4.5	180	.035	4/12	10	150	2.8
G22655	QBD-6X3	6.8-4.5	180	.035	6/18	8	120	2.8
G22765	QBD-6X3-E	6.8-4.5	320	.035	6/18	8	120	2.8
G22656	QBD-8X3	6.8-4.5	180	.035	8/24	8	120	2.8
G22766	QBD-8X3-E	6.8-4.5	320	.035	8/24	8	120	2.8
G22657	QBD-10X3	6.8-4.5	180	.035	10/30	6	90	2.8
G22767	QBD-10X3-E	6.8-4.5	320	.035	10/30	6	90	2.8

Balloon length 3 cm.

Recommended for use with the Quantum Biliary Inflation Device (page 72).

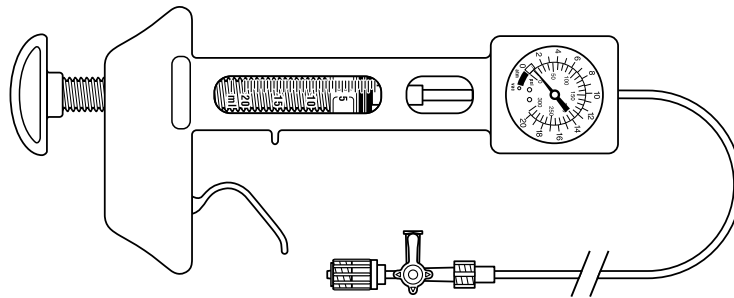
Biliary/Pancreatic - Dilation



Quantum™ Biliary Inflation Device

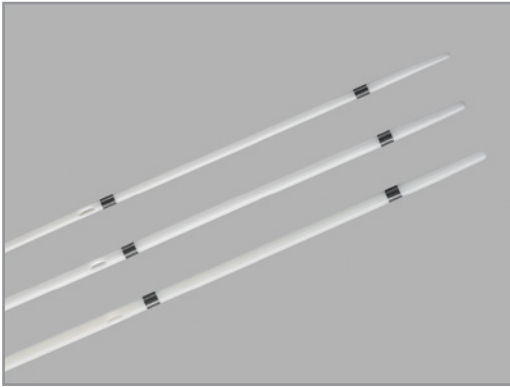
Used for inflation, deflation and pressure monitoring of gastrointestinal dilation balloons.

- With glow in the dark gauge and label



Order Number	Reference Part Number	Fluid Capacity	Gauge Accuracy
G22658	QBID-1	20 cc	± .5 atm or 7 psi

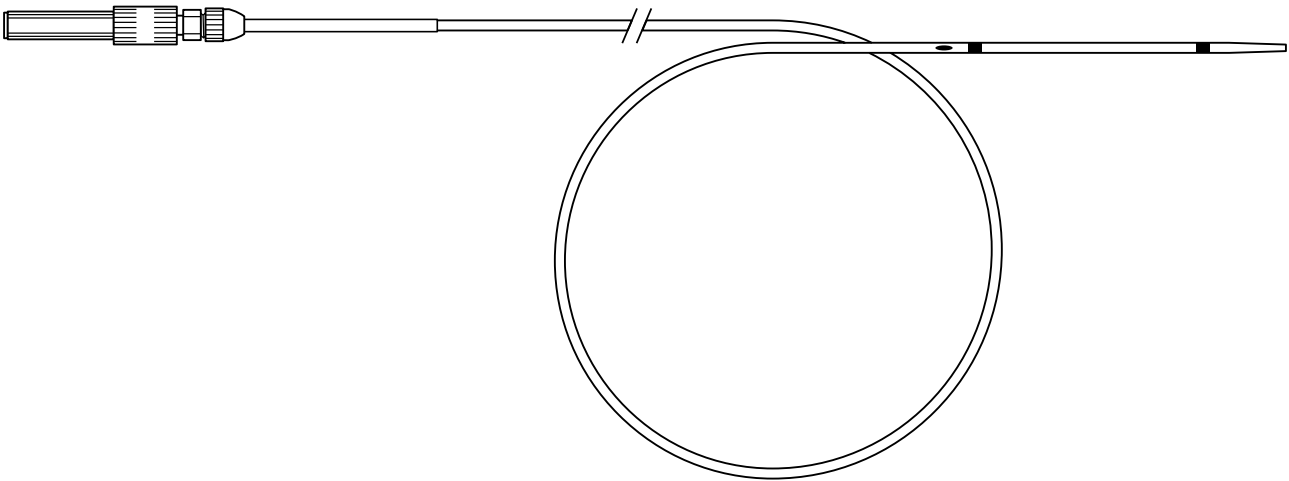
Used with the Quantum TTC Biliary Balloon Dilator (page 71).



Fusion® Biliary Dilation Catheter

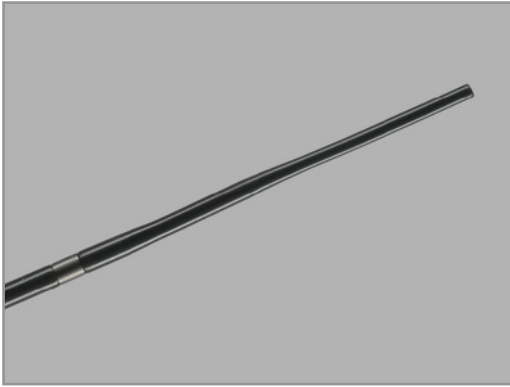
Used to dilate biliary strictures.

- DomeTip designed with anatomy in mind for smooth, easy access
- Integrated catheter design offers pushability when navigating through difficult strictures
- Short 2 cm taper allows for advancement to higher intrahepatic lesions
- Radiopaque band identifies point of maximum dilation



Order Number	Reference Part Number	Catheter Size Fr	Taper Length cm	Catheter Length cm	Wire Guide Diameter inch	Tip Shape	Minimum Accessory Channel mm
G49571	FS-BDC-7	7-5	2	200	.035	DomeTip	4.2
G49572	FS-BDC-8.5	8.5-6	2	200	.035	DomeTip	4.2
G49573	FS-BDC-10	10-7	2	200	.035	DomeTip	4.2

Biliary/Pancreatic - Dilation



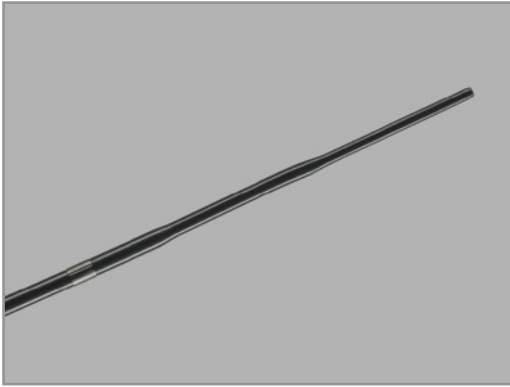
Cotton® Graduated Dilation Catheter

Used to dilate the papillary orifice, biliary strictures or pancreatic strictures.

- Radiopaque band provides fluoroscopic visualization.
- Tapered tip
- Radiopaque catheter



Order Number	Reference Part Number	Catheter Size Fr	Catheter Length cm	Taper Size Fr	Taper Length cm	Wire Guide Diameter inch	Minimum Accessory Channel mm
G22061	CGDC-8.5-7-5	8.5	200	7-5	4	.035	3.2
G22104	CGDC-10-7-5	10	200	7-5	4	.035	3.7



Geenen® Graduated Dilation Catheter

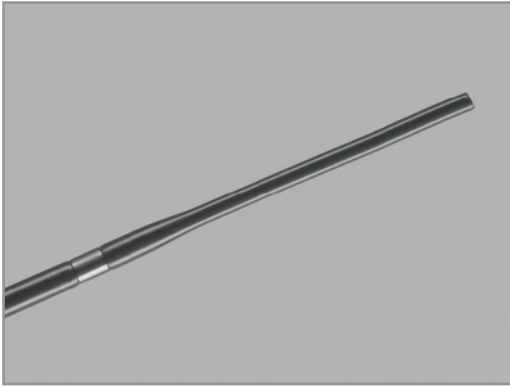
Used to dilate pancreatic strictures or stenotic minor papilla.

- Radiopaque band provides fluoroscopic visualization.
- Tapered tip
- Radiopaque catheter



Order Number	Reference Part Number	Catheter Size Fr	Catheter Length cm	Taper Size Fr	Taper Length cm	Wire Guide Diameter inch	Minimum Accessory Channel mm
G21613	GGDC-7-5-4	7	200	5-4	2	.025	2.8

Biliary/Pancreatic - Dilation

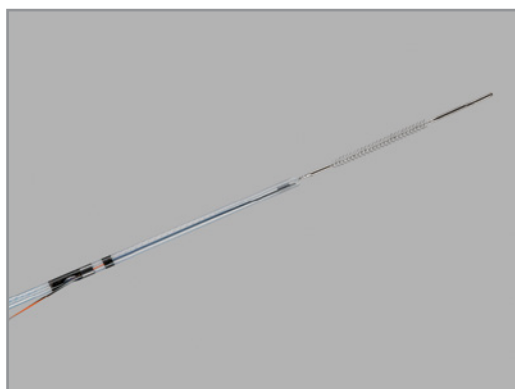
**Soehendra® Biliary Dilation Catheter**

Used to dilate the papillary orifice, biliary strictures or pancreatic strictures.

- Radiopaque band provides fluoroscopic visualization.
- Radiopaque catheter
- 3 cm tapered tip



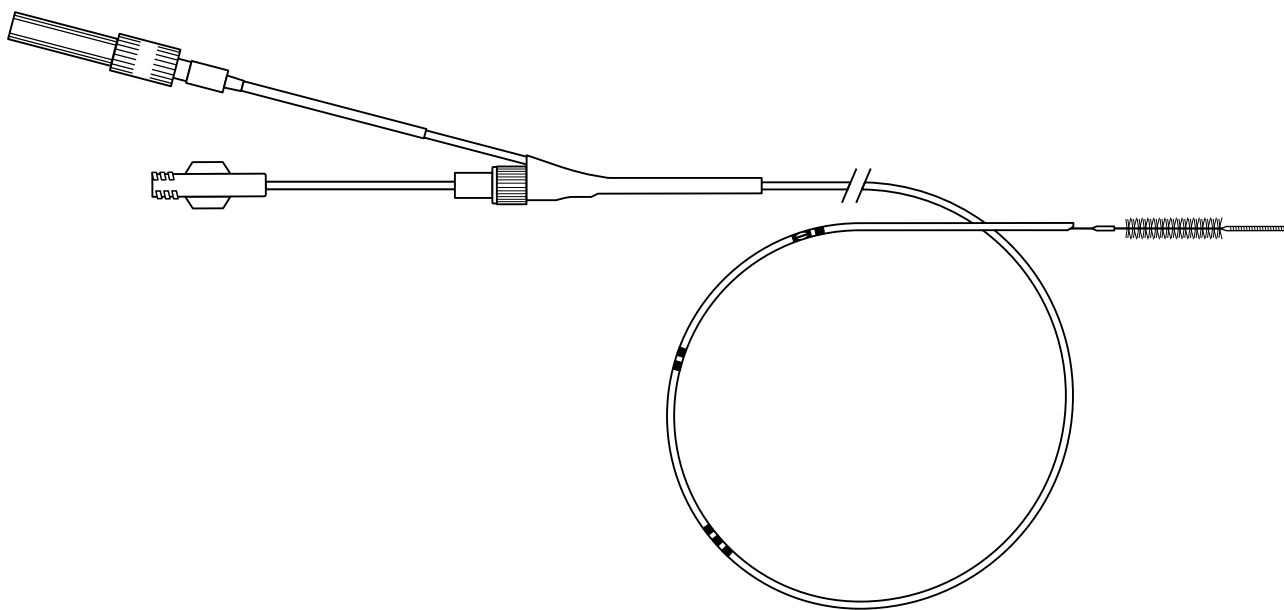
Order Number	Reference Part Number	Catheter Size Fr	Catheter Length cm	Taper Length cm	Wire Guide Diameter inch	Minimum Accessory Channel mm
G21571	SBDC-6	6-4	200	3	.035	2.8
G21573	SBDC-7	7-4	200	3	.035	2.8
G50800	SBDC-7E	7-4	275	3	.035	2.8
G22062	SBDC-8.5	8.5-5	200	3	.035	3.2
G21576	SBDC-9	9-6	200	3	.035	3.7
G21729	SBDC-10	10-6	200	3	.035	3.7
G22046	SBDC-11.5	11.5-7	200	3	.035	4.2



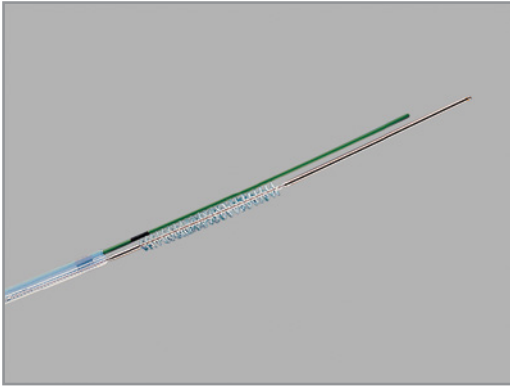
Fusion® Cytology Brush

Used for the collection of cells in the biliary system.

- Specially angled bristles are designed to maximize cellular yield and preservation
- 8 Fr cytology brush offers a 1.5 cm filiform tip which enhances brush navigation through difficult strictures
- 6 Fr cytology brush with IDE technology navigates smaller strictures
- Mark V System® provides endoscopic visualization at 5, 10 and 15 cm from the distal tip of the catheter signifying cannulation depth



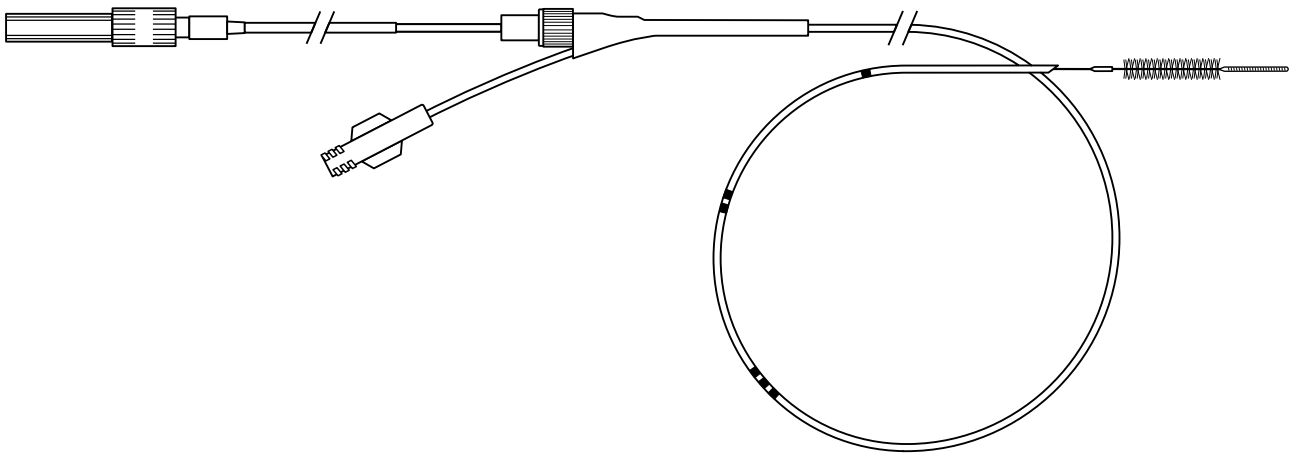
Order Number	Reference Part Number	Catheter Size Fr	Catheter Length cm	Wire Guide Diameter inch	Brush Diameter mm	Brush Length cm	Filiform Tip Size cm	Minimum Accessory Channel mm
G31525	FS-CB-1.5-S	8	200	.035	3	2.5	1.5	4.2
G49091	FS-CB-6	6	200	.035	3	2.5	none	3.2



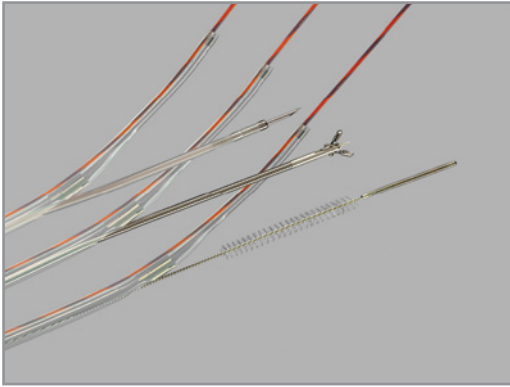
CytoMax II® Double Lumen Cytology Brush

Used to collect cells in the biliary system.

- The double lumen feature provides wire guide access to the desired location during cell collection and facilitates wire guide exchange
- Mark V System® provides endoscopic visualization at 5, 10 and 15 cm from the distal tip of the catheter signifying cannulation depth



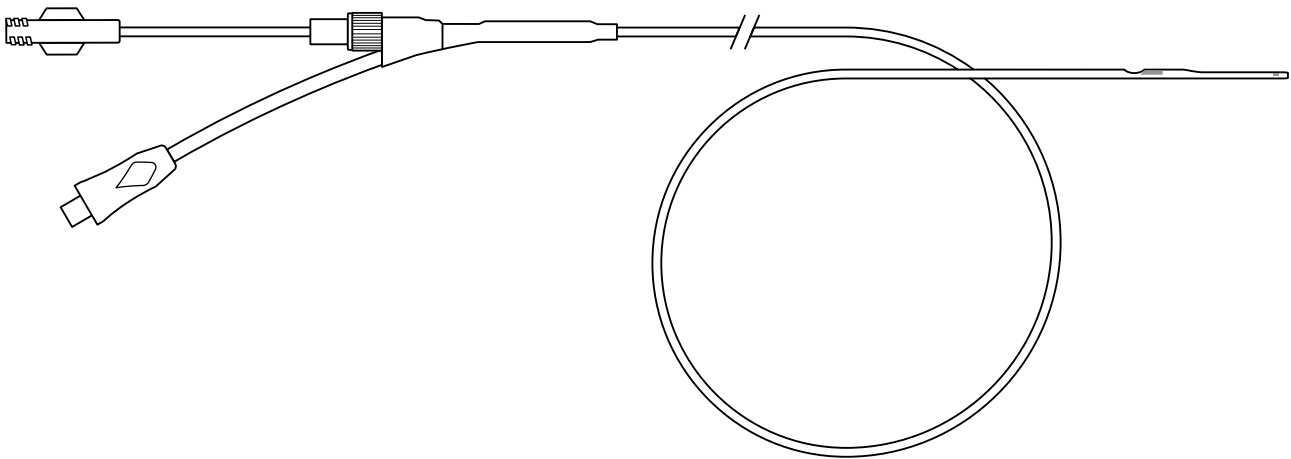
Order Number	Reference Part Number	Catheter Size Fr	Catheter Length cm	Wire Guide Diameter inch	Brush Diameter mm	Brush Length cm	Filiform Tip Size cm	Minimum Accessory Channel mm
G22672	DLB-21-1.5-S	6	200	.021	3	2.5	1.5	2.8
G22673	DLB-21-3.5-S	6	200	.021	3	2.5	3.5	2.8
G22674	DLB-35-1.5-S	8	200	.035	3	2.5	1.5	3.2
G22675	DLB-35-3.5-S	8	200	.035	3	2.5	3.5	3.2
G24741	DLB-35-S	8	200	.035	3	2.5	none	3.2



Howell Biliary Introducer

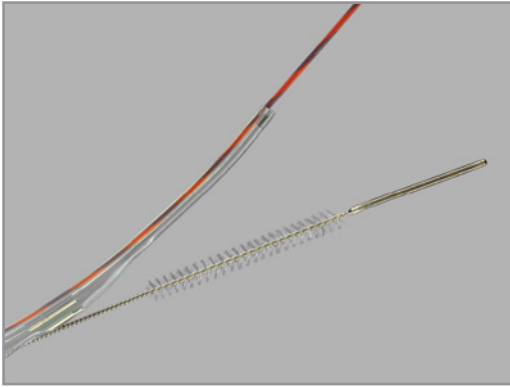
Used for the introduction of other biopsy devices.

- This device may be introduced over a pre-positioned .035 inch wire guide



Order Number	Reference Part Number	Catheter Size Fr	Catheter Length cm	Wire Guide Diameter inch	Tip Shape	Minimum Accessory Channel mm
G22921	HBI-1	10-6	200	.035	taper	3.7

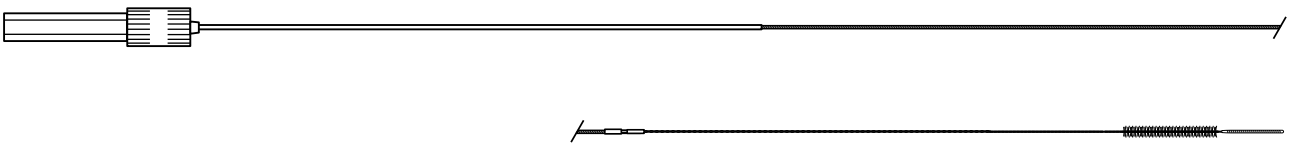
Biliary/Pancreatic - Cytology



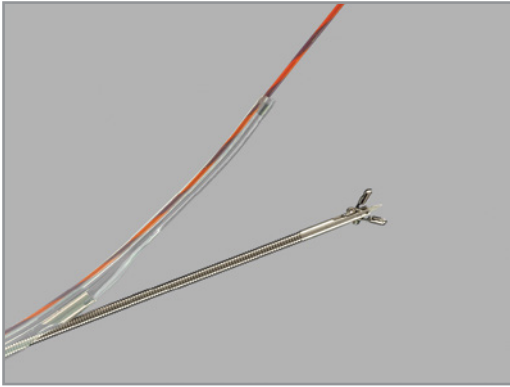
Howell Biliary Introducer Brush

Used to collect cells from the biliary system.

- This device is used in conjunction with the Howell Biliary Introducer



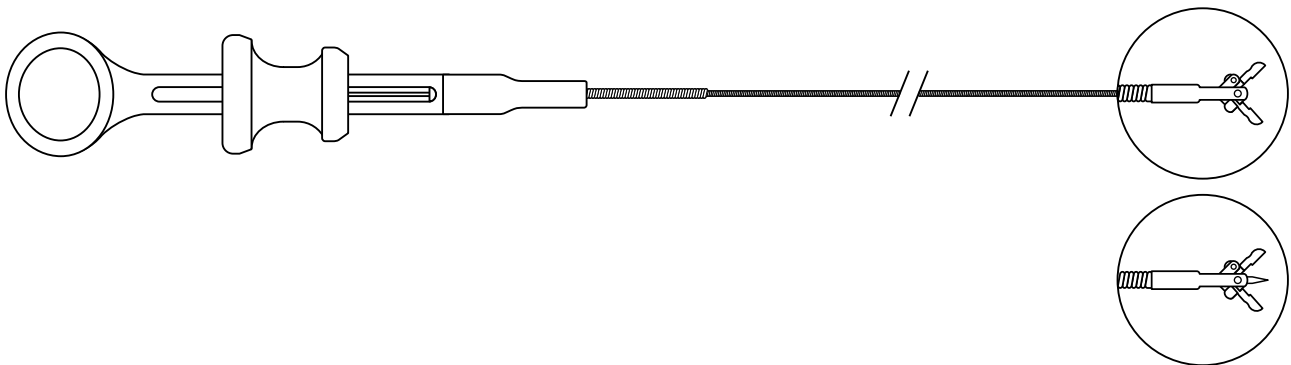
Order Number	Reference Part Number	Cable Length cm	Brush Diameter mm	Brush Length cm	Filiform Tip Size cm
G22919	HBIB-1	200	3	2.5	1.5



Howell Biliary Introducer Forceps

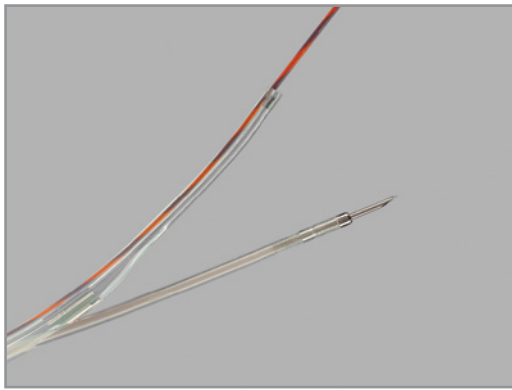
Used to obtain endoscopic mucosal tissue biopsies and/or for foreign body retrieval.

- This device is used in conjunction with the Howell Biliary Introducer



Order Number	Reference Part Number	Cup Diameter mm	Forceps Type	Device Length cm
G22714	HBIF-1.5-220	1.5	non-spiked	220
G24672	HBIF-1.5-220-S	1.5	spiked	220

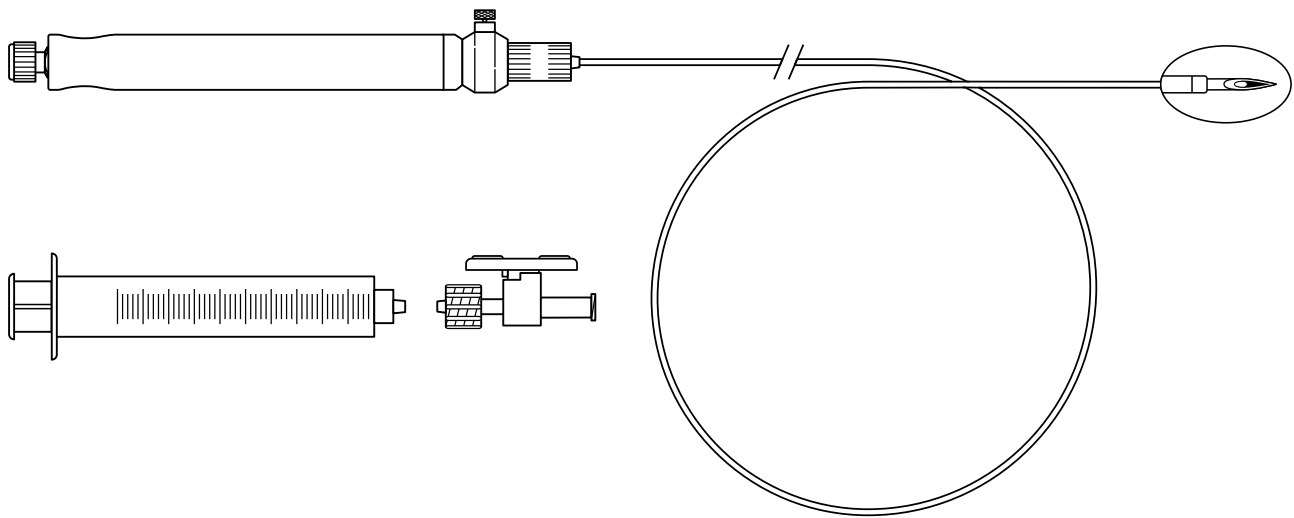
This device is supplied non-sterile and is reusable.



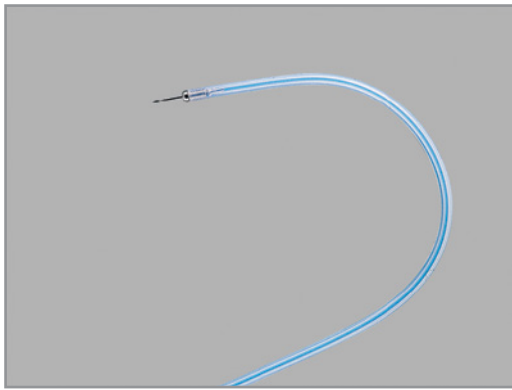
Howell Biliary Introducer Needle

Used for aspiration biopsy in the biliary system.

- This device is used in conjunction with the Howell Biliary Introducer



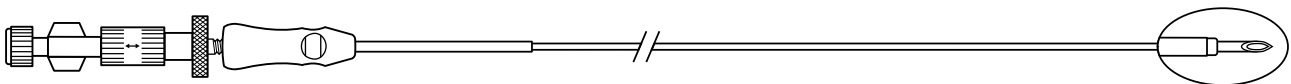
Order Number	Reference Part Number	Catheter Size Fr	Catheter Length cm	Needle Size gage	Needle Extension Length mm
G22920	HBIN-22	5	200	21.5	7



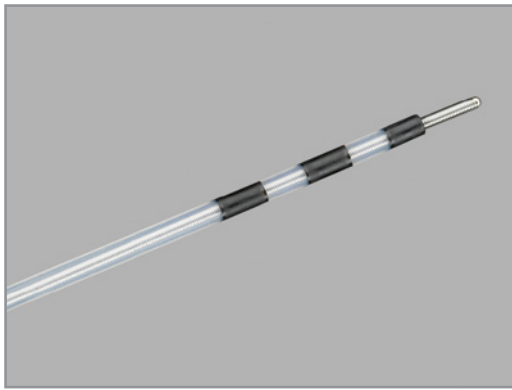
Howell Biliary Aspiration Needle

Used for aspiration biopsy in the biliary system.

- Stylet is packaged with needle



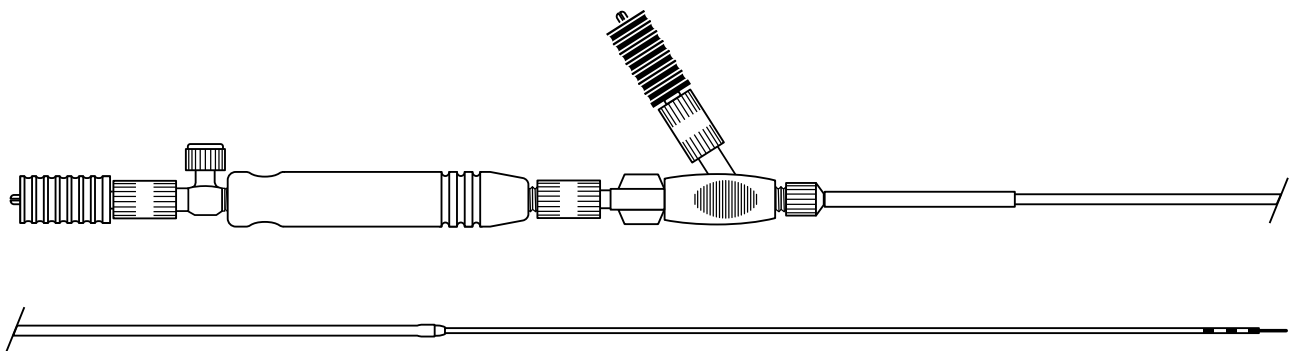
Order Number	Reference Part Number	Catheter Size Fr	Catheter Length cm	Needle Size gage	Needle Extension Length mm	Minimum Accessory Channel mm
G21791	HBAN-1-22	7	200	22	7.5	2.8



Cystotome® Cystoenterostomy Needle Knife

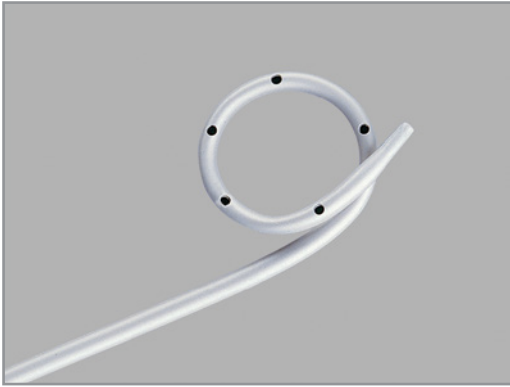
Used to electro-surgically puncture a hole in the transgastric or transduodenal wall and into a pancreatic pseudocyst, when it is visibly bulging into the gastrointestinal tract.

- Make initial incision with .038" needle knife in a 5 Fr catheter
- Immediately enlarge incision with follow-on cauterizing diathermic ring and 10 Fr outer catheter
- Accepts .035" wire guide to maintain position after first incision and facilitate placement of a stent or a drainage kit
- Combining a needle knife and diathermic ring eliminates need for instrument change, reducing procedure time
- Multiple integrated components – needle knife, diathermic ring, and wire-guide compatibility – are a platform for expeditious delivery of therapeutic treatment



Order Number	Reference Part Number	Outer Catheter Size Fr	Outer Catheter Length cm	Inner Catheter Size Fr	Inner Catheter Length cm	Wire Guide Diameter inch	Diathermic Ring Size Fr	Minimum Accessory Channel mm
G30550	CST-10	10	165	5	190	.035	10	3.7

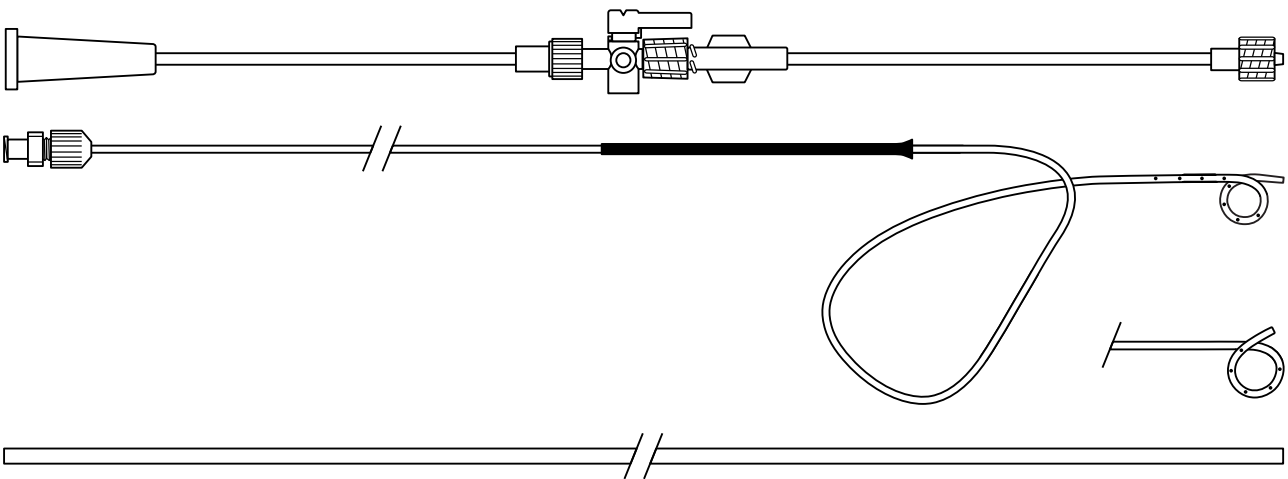
Active cord (page 219) available separately.



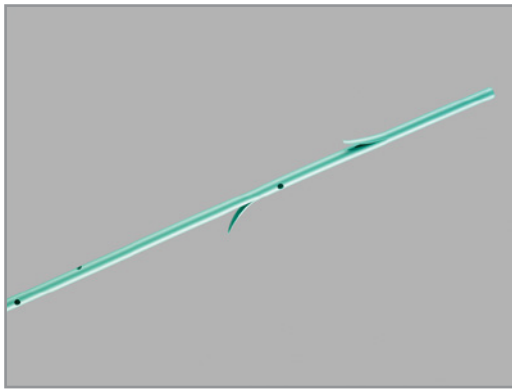
Nasal Biliary Drainage Sets

Used for temporary endoscopic drainage of the biliary duct through the nasal passage by use of an indwelling catheter.

- Each set includes a nasal transfer tube and a drainage connecting tube to facilitate irrigation and drainage



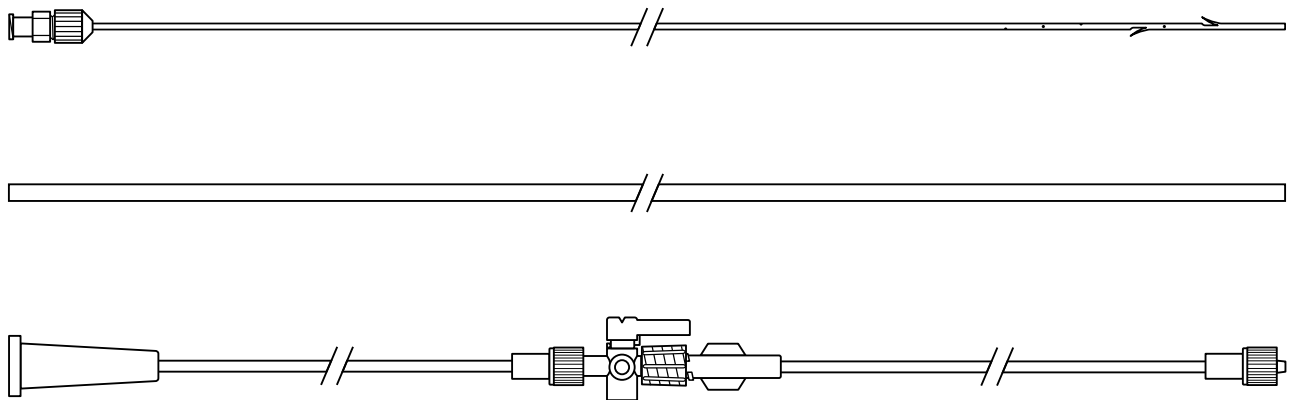
Order Number	Reference Part Number	Catheter Size Fr	Catheter Length cm	Wire Guide Diameter inch	Number of Sideholes	Drainage Catheter Configuration	Minimum Accessory Channel mm
G21583	ENBD-5	5	250	.035	5	pigtail	2
G21943	ENBD-5-LIGUORY	5	235	.035	9	pigtail with alpha curve	2
G22423	ENBD-5-LIGUORY-RT	5	235	.035	9	pigtail with alpha curve	2
G21585	ENBD-6	6	250	.035	5	pigtail	2.8
G21725	ENBD-6-LIGUORY	6	235	.035	9	pigtail with alpha curve	2.8
G21586	ENBD-7	7	250	.035	5	pigtail	2.8
G21521	ENBD-7-LIGUORY	7	235	.035	9	pigtail with alpha curve	2.8



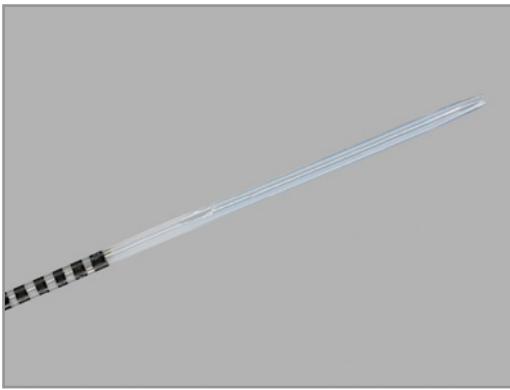
Nasal Pancreatic Drainage Set

Used for temporary endoscopic drainage of the pancreatic duct through the nasal passage by use of an indwelling catheter.

- Each set includes a nasal transfer tube and a drainage connecting tube to facilitate irrigation and drainage



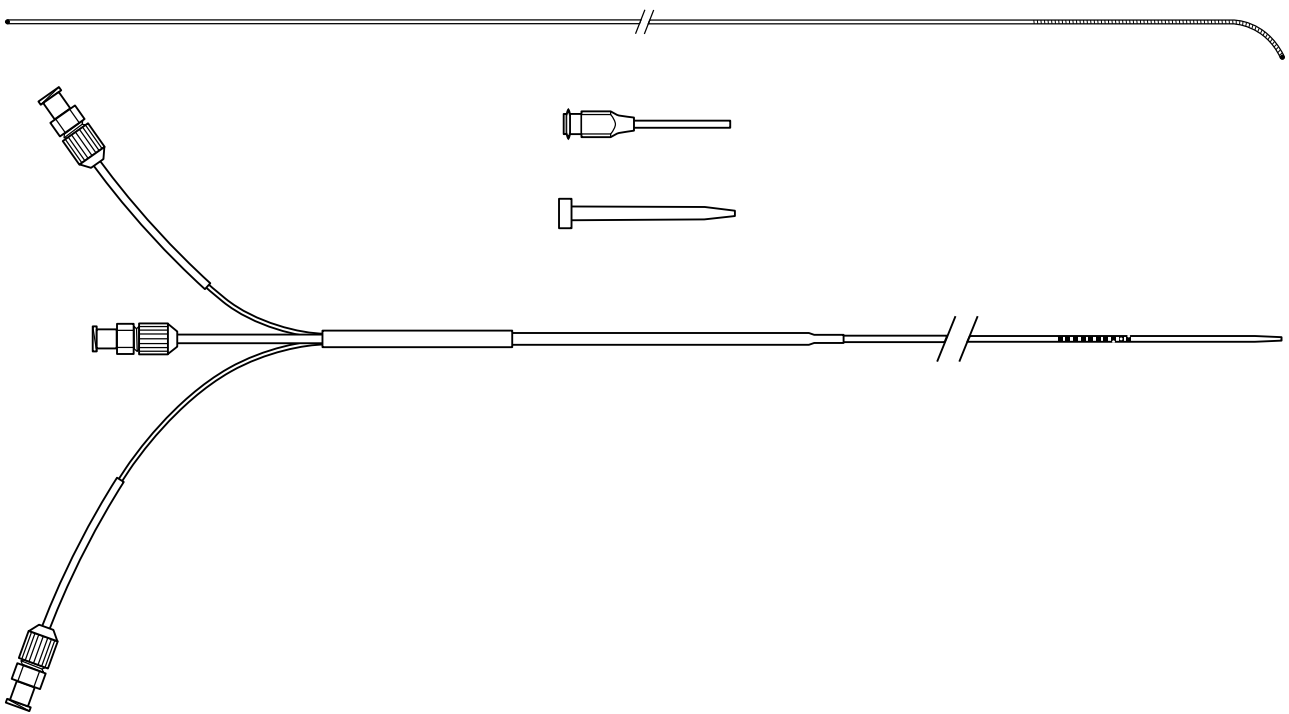
Order Number	Reference Part Number	Catheter Size Fr	Catheter Length cm	Catheter Type	Wire Guide Diameter inch	Wire Guide Length cm	Minimum Accessory Channel mm
G21466	NPDS-5	5	250	straight with flaps	.035	480	2



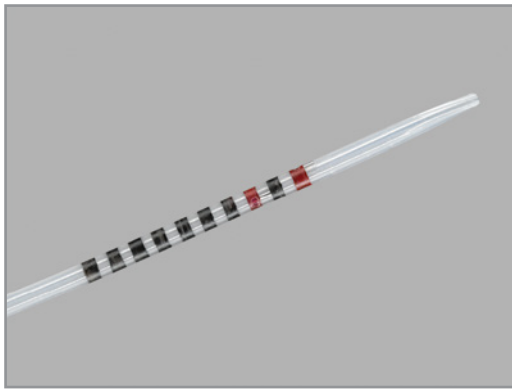
Biliary Manometry Catheter Set

Used for motility studies in the common bile duct, pancreatic duct, Sphincter of Oddi and duodenum.

- Ten, 1 mm markings
- Holes 2 mm apart

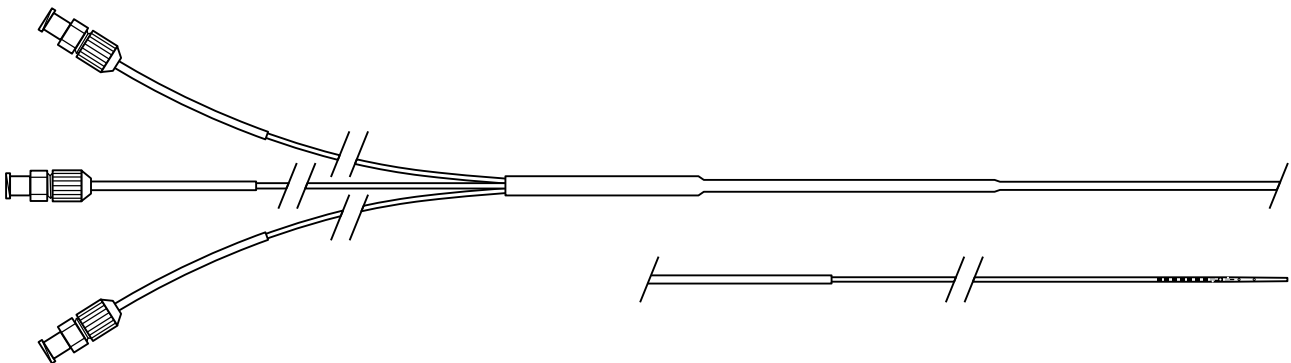


Order Number	Reference Part Number	Catheter Size Fr	Catheter Length cm	Wire Guide Diameter inch	Wire Guide Length cm	Minimum Accessory Channel mm
G21992	BMCG-1	5	200	.018	480	2.8

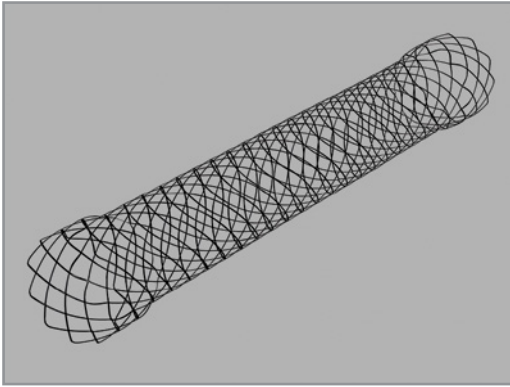


Lehman Sphincter of Oddi Manometry Catheter

Used for motility studies in the common bile duct, pancreatic duct, Sphincter of Oddi and duodenum.



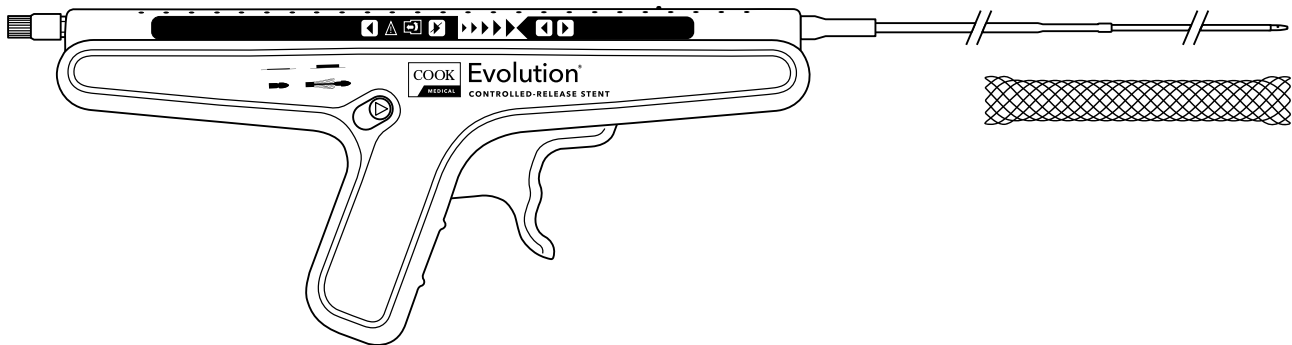
Order Number	Reference Part Number	Catheter Size Fr	Catheter Length cm	Wire Guide Diameter inch	Tip Length mm	Tip Shape	Minimum Accessory Channel mm
G24972	SOM-18-S-LEHMAN-NG	5-3.5	200	.018	short 5	taper	2.8
G24974	SOM-18-L-LEHMAN-NG	5-3.5	200	.018	long 15	taper	2.8



Evolution® Biliary Controlled-Release Stent - Uncovered

Used in palliation of malignant neoplasms in the biliary tree.

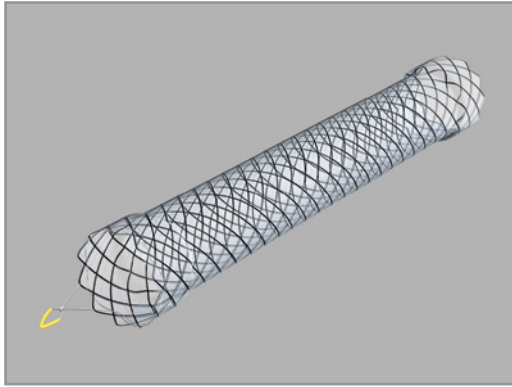
- Evolution nitinol foreshortening stent has a dedicated platinum core wire that delivers excellent, full-length radiopacity to aid in placement
- Dual-stepped flanges minimize migration after deployment
- Flexor technology delivers excellent flexibility and stability without kinking, while eliminating catheter stretching
- Each squeeze of the trigger deploys—or recaptures—a proportional length of stent for unparalleled procedural control



Order Number	Reference Part Number	Introducer Size Fr	Body Diameter mm	Stent Flange Diameter mm	Stent Length cm	Wire Guide Diameter inch	Minimum Accessory Channel mm
G23123	EVO-8-9-4-B	8.5	8	9	4	.035	3.2
G23124	EVO-8-9-6-B	8.5	8	9	6	.035	3.2
G23125	EVO-8-9-8-B	8.5	8	9	8	.035	3.2
G23126	EVO-8-9-10-B	8.5	8	9	10	.035	3.2
G23127	EVO-10-11-4-B	8.5	10	11	4	.035	3.2
G23128	EVO-10-11-6-B	8.5	10	11	6	.035	3.2
G23129	EVO-10-11-8-B	8.5	10	11	8	.035	3.2
G23130	EVO-10-11-10-B	8.5	10	11	10	.035	3.2

Warning: The safety and effectiveness of this device for use in the vascular system have not been established.

Biliary/Pancreatic - Metal Stents

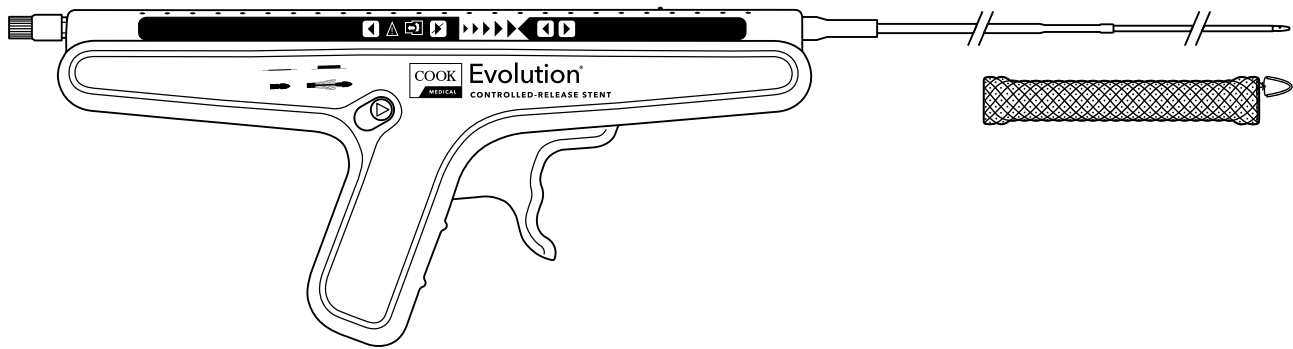


Evolution® Biliary Controlled-Release Stent - Fully Covered

Not for sale in the USA.

Used in palliation of malignant neoplasms in the biliary tree.

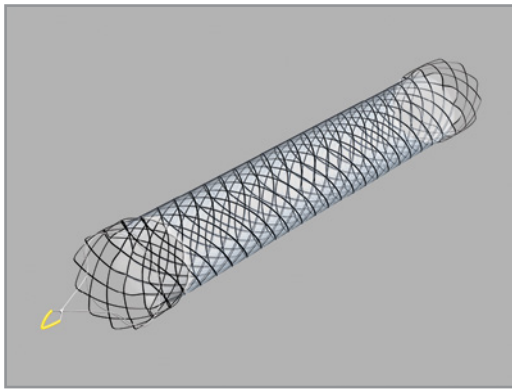
- Evolution nitinol foreshortening stent has a dedicated platinum core wire that delivers excellent, full-length radiopacity to aid in placement
- Stents are encased with silicone, inside and out, potentially providing tumor ingrowth prevention
- Dual-stepped flanges minimize migration after deployment
- Immediate repositioning and removal of a partially or fully covered stent during the procedure can be achieved by using the innovative yellow grasping loop
- Flexor technology delivers excellent flexibility and stability without kinking, while eliminating catheter stretching
- Each squeeze of the trigger deploys—or recaptures—a proportional length of stent for unparalleled procedural control



Order Number	Reference Part Number	Introducer Size Fr	Body Diameter mm	Stent Flange Diameter mm	Stent Length cm	Wire Guide Diameter inch	Minimum Accessory Channel mm
G23131	EVO-FC-8-9-6-B*	8.5	8	9	6	.035	3.2
G23132	EVO-FC-8-9-8-B*	8.5	8	9	8	.035	3.2
G23133	EVO-FC-10-11-4-B*	8.5	10	11	4	.035	3.2
G23134	EVO-FC-10-11-6-B*	8.5	10	11	6	.035	3.2
G23135	EVO-FC-10-11-8-B*	8.5	10	11	8	.035	3.2

Warning: The safety and effectiveness of this device for use in the vascular system have not been established.

*Check for availability.

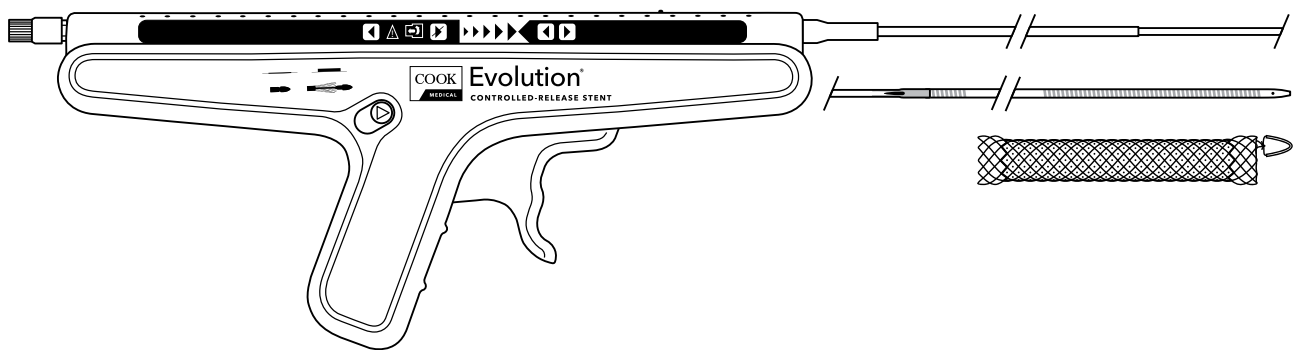


Evolution® Biliary Controlled-Release Stent - Partially Covered

Not for sale in the USA.

Used in palliation of malignant neoplasms in the biliary tree.

- Evolution nitinol foreshortening stent has a dedicated platinum core wire that delivers excellent, full-length radiopacity to aid in placement
- Stents are partially encased with silicone, inside and out, potentially providing tumor ingrowth prevention
- Dual-stepped flanges minimize migration after deployment
- Immediate repositioning and removal of a partially or fully covered stent during the procedure can be achieved by using the innovative yellow grasping loop
- Flexor technology delivers excellent flexibility and stability without kinking, while eliminating catheter stretching
- Each squeeze of the trigger deploys—or recaptures—a proportional length of stent for unparalleled procedural control

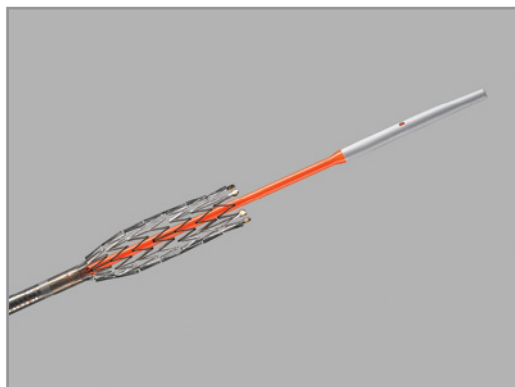


Order Number	Reference Part Number	Introducer Size Fr	Body Diameter mm	Stent Flange Diameter mm	Stent Length cm	Wire Guide Diameter inch	Minimum Accessory Channel mm
G23136	EVO-PC-8-9-6-B*	8.5	8	9	6	.035	3.2
G23137	EVO-PC-8-9-8-B*	8.5	8	9	8	.035	3.2
G23138	EVO-PC-10-11-4-B*	8.5	10	11	4	.035	3.2
G23139	EVO-PC-10-11-6-B*	8.5	10	11	6	.035	3.2
G23140	EVO-PC-10-11-8-B*	8.5	10	11	8	.035	3.2

Warning: The safety and effectiveness of this device for use in the vascular system have not been established.

*Check for availability.

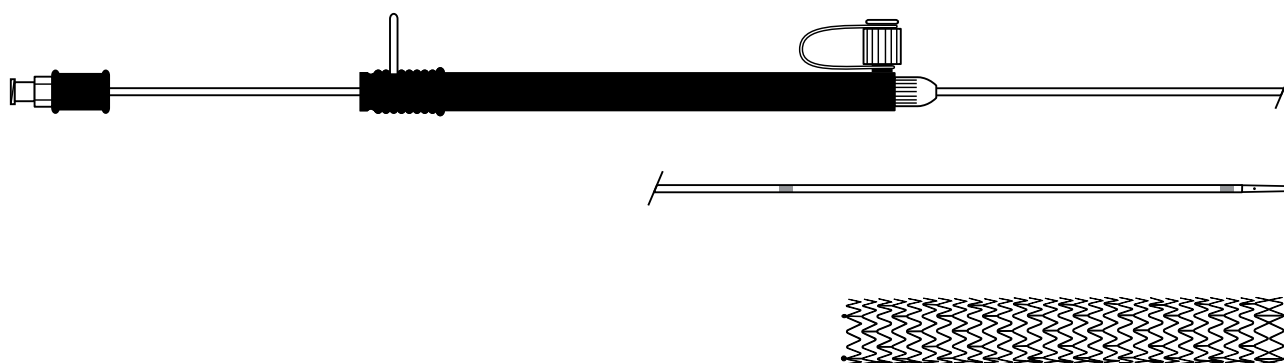
Biliary/Pancreatic - Metal Stents



Zilver 635® Biliary Self-Expanding Stent

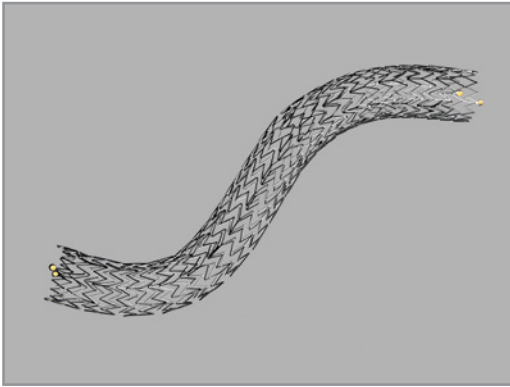
Used in the palliation of malignant neoplasms in the biliary tree.

- 6 Fr Flexor® introducer delivers flexibility without kinking or compressing
- Self-expanding, nonforeshortening nitinol stent provides flexibility without kinking or compressing
- “Shelfless” tip designed for smooth withdrawal of introducer through deployed stent
- Reference markers on sheath and inner catheter for confident transpapillary placement



Order Number	Reference Part Number	Stent Diameter mm	Stent Length cm	Flexor® Introducer Size Fr	Flexor® Introducer Length cm	Wire Guide Diameter inch	Minimum Accessory Channel mm
G50616	ZILBS-635-6-4	6	4	6	200	.035	2.8
G50619	ZILBS-635-6-6	6	6	6	200	.035	2.8
G50622	ZILBS-635-6-8	6	8	6	200	.035	2.8
G50617	ZILBS-635-8-4	8	4	6	200	.035	2.8
G50620	ZILBS-635-8-6	8	6	6	200	.035	2.8
G50623	ZILBS-635-8-8	8	8	6	200	.035	2.8
G50618	ZILBS-635-10-4	10	4	6	200	.035	2.8
G50621	ZILBS-635-10-6	10	6	6	200	.035	2.8
G50624	ZILBS-635-10-8	10	8	6	200	.035	2.8

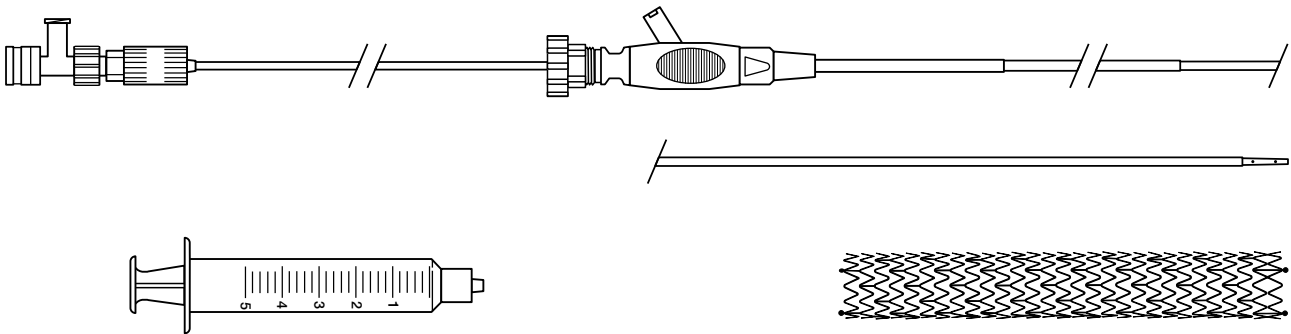
Warning: The safety and effectiveness of this device for use in the vascular system have not been established.



Fusion® Zilver® Biliary Self-Expanding Stent

Used in palliation of malignant neoplasms of the biliary tree.

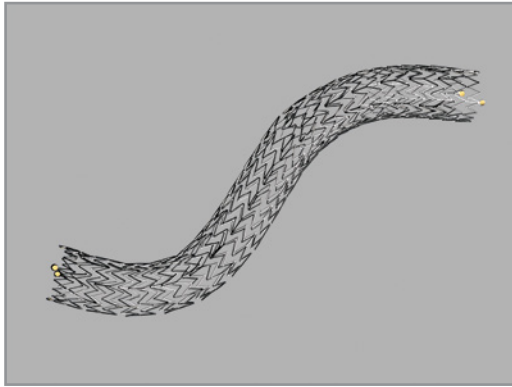
- Self-expanding, non-shortening nitinol construction provides flexibility without kinking or compressing
- Zilver "Z" configuration applies uniform radial strength evenly to the biliary duct
- Multiple gold markers on each end for precise placement
- Preloaded 7 Fr Reliant Introducer offers an integrated hub for injection with Tuohy-Borst adapter to prevent inadvertent deployment



Order Number	Reference Part Number	Stent Diameter mm	Stent Length cm	Introducer Size Fr	Introducer Length cm	Wire Guide Diameter inch	Minimum Accessory Channel mm
G31555	FS-ZILBS-6-4	6	4	7	208	.035	4.2
G31556	FS-ZILBS-8-4	8	4	7	208	.035	4.2
G31557	FS-ZILBS-10-4	10	4	7	208	.035	4.2
G31558	FS-ZILBS-6-6	6	6	7	208	.035	4.2
G31559	FS-ZILBS-8-6	8	6	7	208	.035	4.2
G31560	FS-ZILBS-10-6	10	6	7	208	.035	4.2
G31561	FS-ZILBS-6-8	6	8	7	208	.035	4.2
G31562	FS-ZILBS-8-8	8	8	7	208	.035	4.2
G31563	FS-ZILBS-10-8	10	8	7	208	.035	4.2

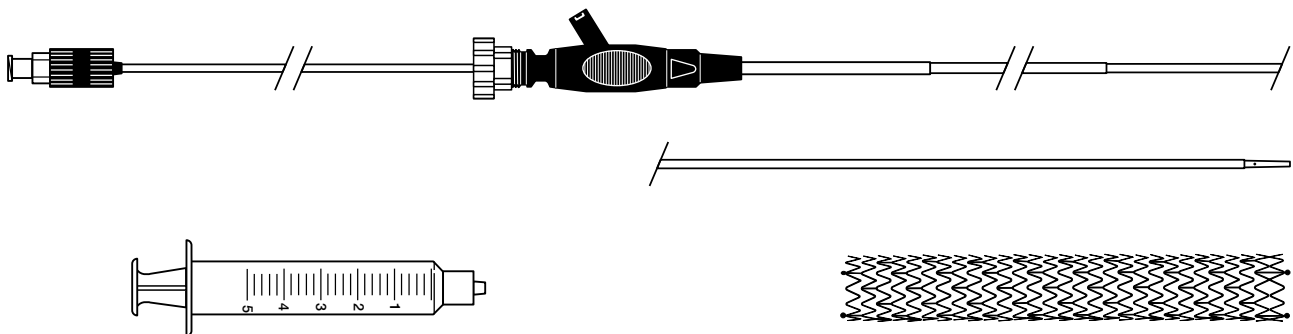
Warning: The safety and effectiveness of this device for use in the vascular system have not been established.

Biliary/Pancreatic - Metal Stents

**Zilver® Biliary Self-Expanding Stent**

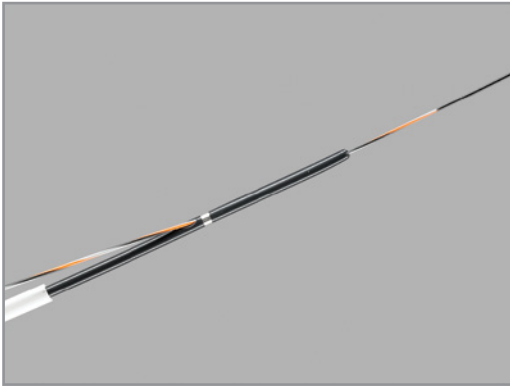
Used in palliation of malignant neoplasms in the biliary tree.

- Self-expandable, non-shortening Nitinol stent, provides flexibility without kinking or compressing
- Zilver "Z" configuration applies uniform radial strength evenly to the biliary duct
- Multiple gold markers on each end enhances precise placement
- Preloaded 7 Fr Reliant Introducer offers an integrated hub for injection
- Tuohy-Borst adapter facilitates proper deployment



Order Number	Reference Part Number	Stent Diameter mm	Stent Length cm	Introducer Size Fr	Introducer Length cm	Wire Guide Diameter inch	Minimum Accessory Channel mm
G25723	ZILBS-6-4	6	4	7	208	.035	2.8
G25726	ZILBS-8-4	8	4	7	208	.035	2.8
G25729	ZILBS-10-4	10	4	7	208	.035	2.8
G25724	ZILBS-6-6	6	6	7	208	.035	2.8
G25727	ZILBS-8-6	8	6	7	208	.035	2.8
G25730	ZILBS-10-6	10	6	7	208	.035	2.8
G25725	ZILBS-6-8	6	8	7	208	.035	2.8
G25728	ZILBS-8-8	8	8	7	208	.035	2.8
G25731	ZILBS-10-8	10	8	7	208	.035	2.8

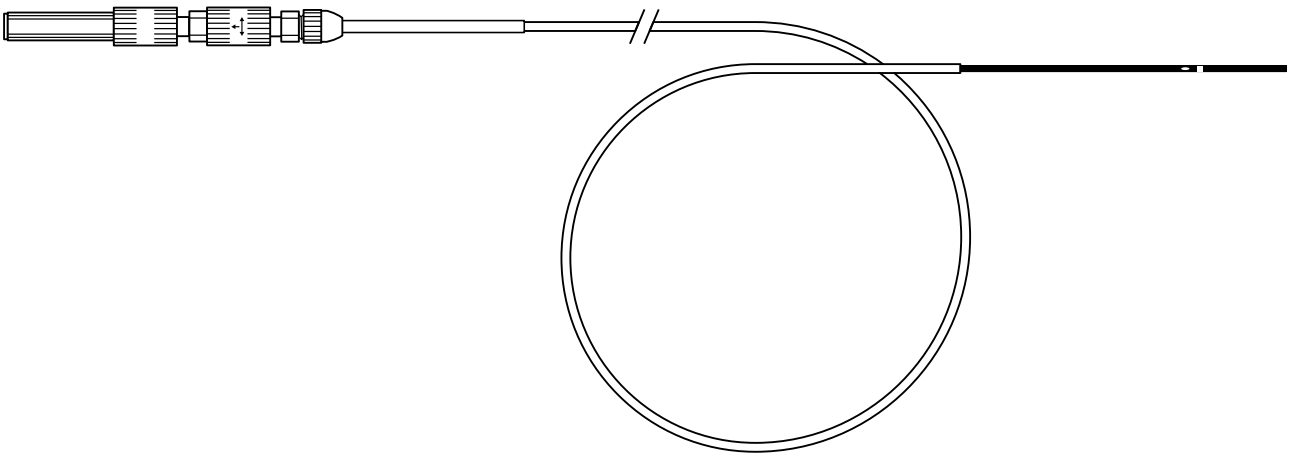
Warning: The safety and effectiveness of this device for use in the vascular system have not been established.



Fusion® OASIS® One Action Stent Introduction System

Used for endoscopic biliary stent placement to drain obstructed bile ducts.

- Reposition before deployment or remove plastic stents entirely while maintaining ductal access thanks to Fusion capability
- Compatible with a wide array of our plastic stents.
- Reduce procedural steps by delivering multiple stents without recannulation
- Integrated guiding and pushing catheter provides pushability when negotiating tortuous anatomy
- 1 radiopaque band at IDE port

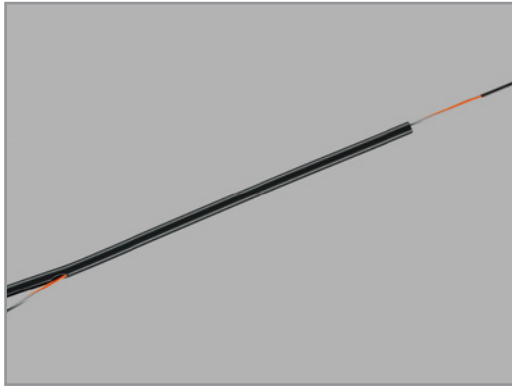


Order Number	Reference Part Number	Pushing Catheter Size Fr	Pushing Catheter Length cm	Guiding Catheter Size Fr	Guiding Catheter Length cm	Wire Guide Diameter inch	Minimum Accessory Channel mm
G31526	FS-OA-8.5	8.5	170	5	195	.035	4.2
G31527	FS-OA-10	9	170	5.5	195	.035	4.2

Not for use with pigtail stents.

Compatible with ST-2 Soehendra Tannenbaum® (page 114), Cotton-Huibregtse® (page 103) and Cotton-Leung® (page 107) stents.

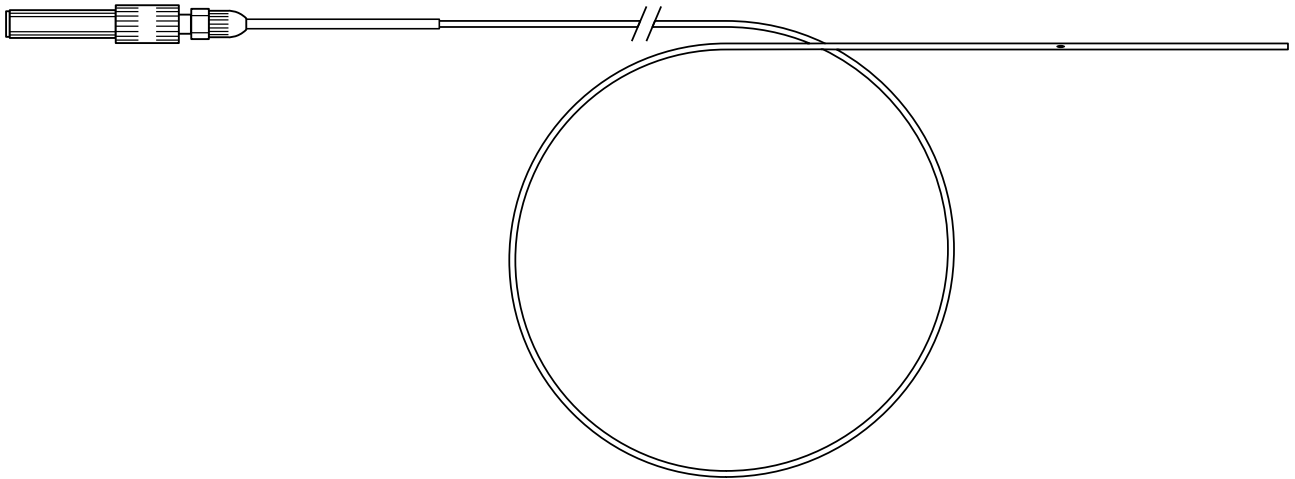
Biliary/Pancreatic - Plastic Stents



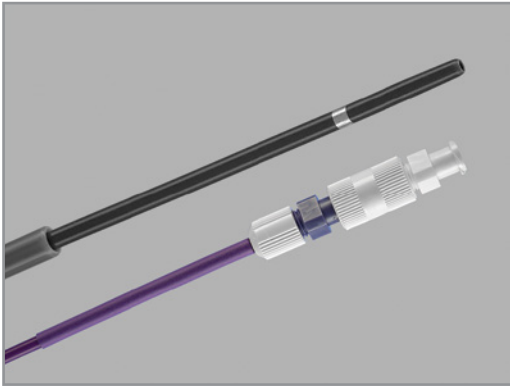
Fusion® Pushing Catheter

Used for endoscopic biliary stent placement to drain obstructed bile ducts.

- IDE port located 6 cm from the distal end



Order Number	Reference Part Number	Pushing Catheter Size Fr	Pushing Catheter Length cm	Wire Guide Diameter inch	Minimum Accessory Channel mm
G31550	FS-PC-5	5	170	.035	3.2
G31551	FS-PC-7	7	170	.035	3.2



OASIS® One Action Stent Introduction System

Used for endoscopic stent placement to drain obstructed biliary ducts.

- Enhance efficiency and save time with single step delivery
- Fluoroscopic visualization during placement is enhanced by radiopaque bands on introducer
- Stricture dilated prior to stent placement by tapered guiding catheter



Order Number	Reference Part Number	Pushing Catheter Size Fr	Guiding Catheter Size Fr	Guiding Catheter Length cm	Wire Guide Diameter inch	Minimum Accessory Channel mm
G22150	OA-8.5	8.5	5	205	.035	3.2
G25146	OA-8.5E	8.5	5	318	.035	3.2
G21739	OA-10	10	6	205	.035	3.7
G25147	OA-10E	10	6	320	.035	3.7
G21381	OA-11.5	11	6	205	.035	4.2

Compatible with ST-2 Soehendra Tannenbaum® (page 114), Cotton-Huibregtse® (page 103) and Cotton-Leung® (page 107) stents.

With four radiopaque bands 5 cm apart.

Biliary/Pancreatic - Plastic Stents

**Huibregtse® Guiding Catheter**

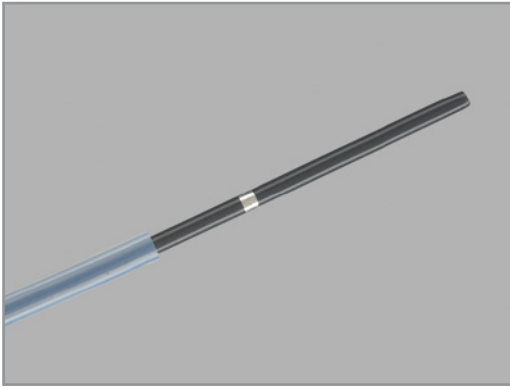
Used for endoscopic stent placement to drain obstructed biliary ducts.

- Radiopaque band at the tip



Order Number	Reference Part Number	Catheter Size Fr	Catheter Length cm	Wire Guide Diameter inch
G21448	HGC-6	6	220	.035

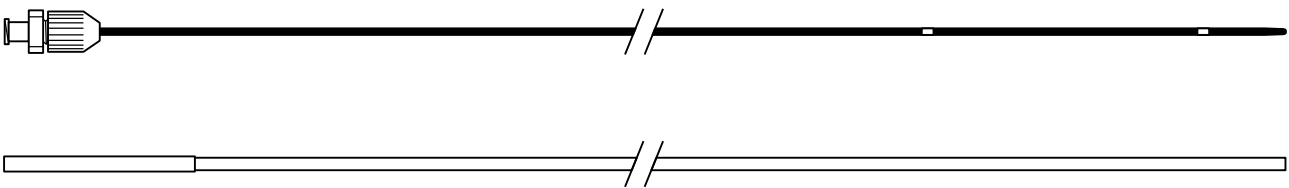
Compatible with ST-2 Soehendra Tannenbaum® (page 114), Cotton-Huibregtse® (page 103) and Cotton-Leung® stents (page 107).



Stent Introducer Sets

Used for endoscopic stent placement to drain obstructed biliary ducts.

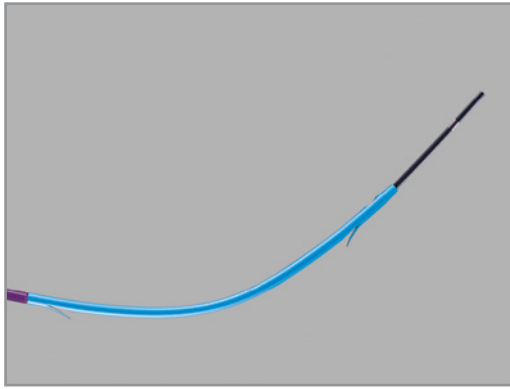
- Pushing catheters available in a range of sizes and compatible with both straight and pigtail stents
- Enhanced visualization delivered by radiopaque markers on our guiding catheters
- Added convenience delivered by our stent introducer sets which include guiding catheter and pushing catheter components



Order Number	Reference Part Number	Pushing Catheter Size Fr	Pushing Catheter Length cm	Guiding Catheter Size Fr	Guiding Catheter Length cm	Wire Guide Diameter inch	Minimum Accessory Channel mm
Stent Introducer Sets							
G21532	SIS-8.5	8.5	170	5	320	.035	3.2
G22684	SIS-10	10	170	6	320	.035	3.7
G21749	SIS-11.5	11	170	6	320	.035	4.2
Pushing Catheter							
G25092	PC-3	3	170	n/a	n/a	.018	2
G21771	PC-5	5	170	n/a	n/a	.035	2
G22715	PC-5E	5	320	n/a	n/a	.035	2
G21774	PC-7	7	170	n/a	n/a	.035	2.8
G22716	PC-7E	7	320	n/a	n/a	.035	2.8
G21623	PC-8.5	8.5	170	n/a	n/a	.035	3.2
G21443	PC-10	10	170	n/a	n/a	.035	3.7
G22091	PC-11.5	11	170	n/a	n/a	.035	4.2
Guiding Catheter							
G22004	GC-5	n/a	n/a	5	320	.035	3.2
<i>Compatible with 8.5 Fr stent.</i>							
G22005	GC-6	n/a	n/a	6	320	.035	4.2
<i>Compatible with 10-11.5 Fr stent.</i>							

Components sold separately.

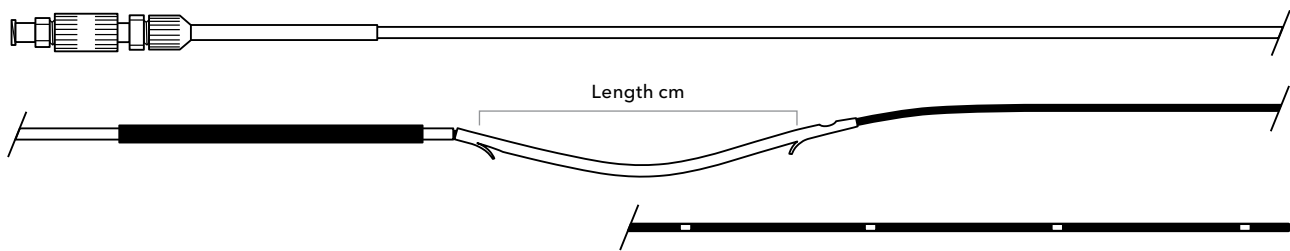
Biliary/Pancreatic - Plastic Stents



Oasis® One Action Stent Introduction System Preloaded with Cotton-Leung® Biliary Stent

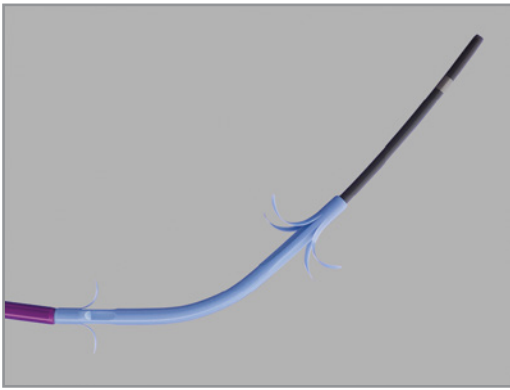
Used for endoscopic placement of a preloaded biliary stent to drain obstructed biliary ducts.

- Enhance efficiency and save time with single-step delivery
- Maximize efficiency with preloaded Cotton-Leung stents
- Fluoroscopic visualization during placement is enhanced by radiopaque bands on introducer
- Stricture dilated prior to stent placement by tapered guiding catheter



Order Number	Reference Part Number	Stent Size Fr	Stent Length cm	Pushing Catheter Length cm	Guiding Catheter Size Fr	Guiding Catheter Length cm	Wire Guide Diameter inch	Minimum Accessory Channel mm
G25656	OACL-7-5	7	5	170	5	205	.035	2.8
G25657	OACL-7-7	7	7	170	5	205	.035	2.8
G25658	OACL-7-9	7	9	170	5	205	.035	2.8
G25659	OACL-7-12	7	12	170	5	205	.035	2.8
G25660	OACL-7-15	7	15	170	5	205	.035	2.8
G25374	OACL-8.5-5	8.5	5	170	5	205	.035	3.2
G25375	OACL-8.5-7	8.5	7	170	5	205	.035	3.2
G25376	OACL-8.5-9	8.5	9	170	5	205	.035	3.2
G25377	OACL-8.5-12	8.5	12	170	5	205	.035	3.2
G25378	OACL-8.5-15	8.5	15	170	5	205	.035	3.2
G25379	OACL-10-5	10	5	170	6	205	.035	3.7
G25380	OACL-10-7	10	7	170	6	205	.035	3.7
G25381	OACL-10-9	10	9	170	6	205	.035	3.7
G25382	OACL-10-12	10	12	170	6	205	.035	3.7
G25383	OACL-10-15	10	15	170	6	205	.035	3.7
G25384	OACL-11.5-5	11.5	5	170	6	205	.035	4.2
G25385	OACL-11.5-7	11.5	7	170	6	205	.035	4.2
G25386	OACL-11.5-9	11.5	9	170	6	205	.035	4.2
G25387	OACL-11.5-12	11.5	12	170	6	205	.035	4.2
G25388	OACL-11.5-15	11.5	15	170	6	205	.035	4.2

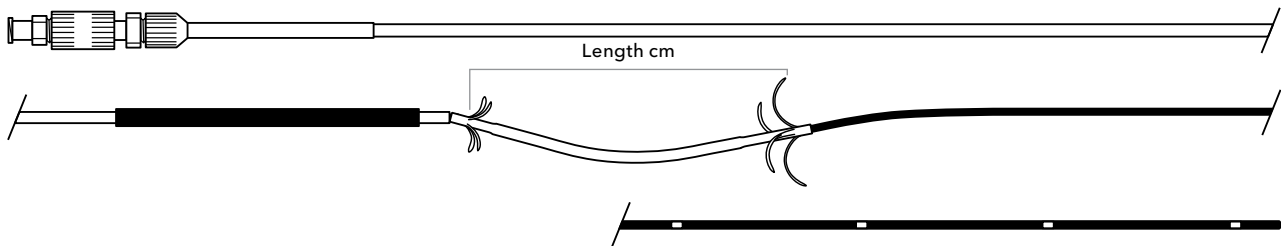
Set Includes: Introducer with four radiopaque bands 5 cm apart, with preloaded Cotton-Leung stent, pushing catheter, guiding catheter and positioning sleeve.



Oasis® One Action Stent Introduction System Preloaded with ST-2 Soehendra Tannenbaum® Biliary Stent

Used for endoscopic placement of a preloaded biliary stent to drain obstructed biliary ducts.

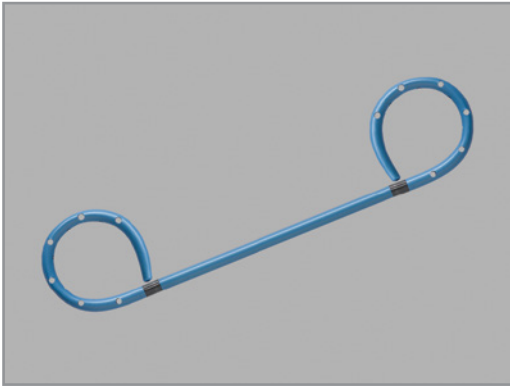
- Enhance efficiency and save time with single-step delivery
- Maximize efficiency with preloaded ST-2 Soehendra-Tannenbaum stents
- Fluoroscopic visualization during placement is enhanced by radiopaque bands on introducer
- Stricture dilated prior to stent placement by tapered guiding catheter



Order Number	Reference Part Number	Stent Size Fr	Stent Length cm	Pushing Catheter Length cm	Guiding Catheter Size Fr	Guiding Catheter Length cm	Wire Guide Diameter inch	Minimum Accessory Channel mm
G26846	OATS-8.5-5	8.5	5	170	5	205	.035	3.2
G26848	OATS-8.5-7	8.5	7	170	5	205	.035	3.2
G26849	OATS-8.5-9	8.5	9	170	5	205	.035	3.2
G26853	OATS-8.5-12	8.5	12	170	5	205	.035	3.2
G26854	OATS-8.5-15	8.5	15	170	5	205	.035	3.2
G26858	OATS-10-5	10	5	170	6	205	.035	3.7
G26859	OATS-10-7	10	7	170	6	205	.035	3.7
G26860	OATS-10-9	10	9	170	6	205	.035	3.7
G26863	OATS-10-12	10	12	170	6	205	.035	3.7
G26864	OATS-10-15	10	15	170	6	205	.035	3.7
G26836	OATS-11.5-5	11.5	5	170	6	205	.035	4.2
G26837	OATS-11.5-7	11.5	7	170	6	205	.035	4.2
G26838	OATS-11.5-9	11.5	9	170	6	205	.035	4.2
G26842	OATS-11.5-12	11.5	12	170	6	205	.035	4.2
G26843	OATS-11.5-15	11.5	15	170	6	205	.035	4.2

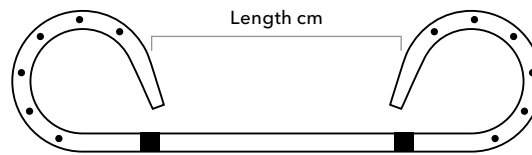
Set Includes: Introducer with four radiopaque bands 5 cm apart, with preloaded ST-2 Soehendra Tannenbaum stent, pushing catheter, guiding catheter and positioning sleeve.

Biliary/Pancreatic - Plastic Stents

**Compass BDS™ Biliary Plastic Stent**

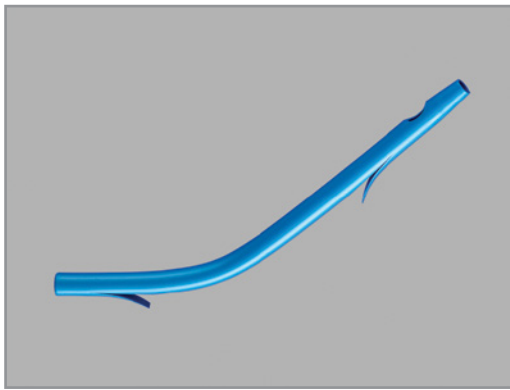
This device is used to drain obstructed biliary ducts.

- Ease of loading and introduction into the ductal system is facilitated by the dual tapered ends
- Enhanced drainage with 17 drainage holes for each pigtail
- Fluoroscopic visualization for positioning is enhanced with two radiopaque markers



Order Number	Reference Part Number	Stent Size Fr	Stent Length cm	Wire Guide Diameter inch	Minimum Accessory Channel mm
G55519	CBSO-7-5	7	5	.035	2.8
G55520	CBSO-7-10	7	10	.035	2.8
G55521	CBSO-7-15	7	15	.035	2.8

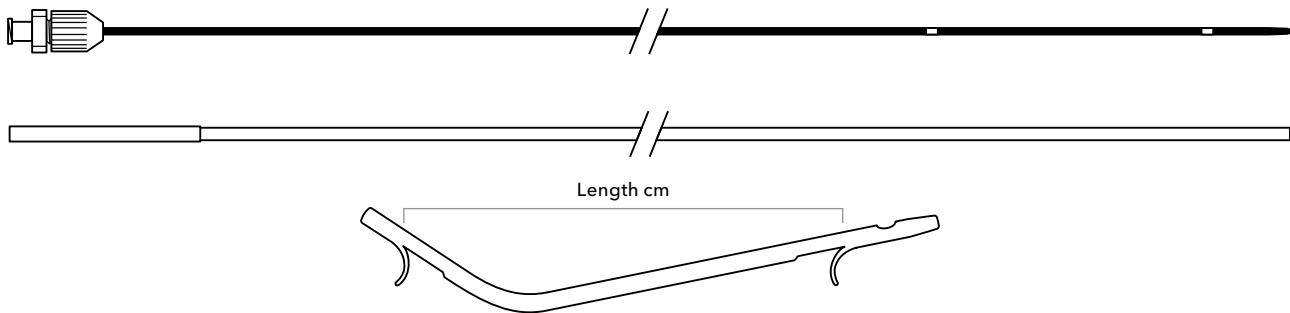
Recommended for use with FS-PC-7 (page 96) or PC-7 (page 99).



Cotton-Huibregtse® Biliary Stent Sets

Used to drain obstructed biliary ducts.

- Minimizes migration with proximal and distal flaps
- Smooth cannulation facilitated by tapered tip
- Enhanced positioning provided by anatomical shape
- Pushability and softness delivered by polyethylene material
- Simplify inventory management and enhance procedural efficiency with stent sets, which include pushing and guiding catheters



Order Number	Reference Part Number	Stent Size Fr	Stent Length cm	Pushing Catheter Length cm	Guiding Catheter Length cm	Wire Guide Diameter inch	Minimum Accessory Channel mm
G22486	CHBS-7-3	7	3	170	n/a	.035	2.8
G21831	CHBS-7-5	7	5	170	n/a	.035	2.8
G22485	CHBS-7-6	7	6	170	n/a	.035	2.8
G21832	CHBS-7-7	7	7	170	n/a	.035	2.8
G21834	CHBS-7-9	7	9	170	n/a	.035	2.8
G22420	CHBS-7-10	7	10	170	n/a	.035	2.8
G21970	CHBS-7-12	7	12	170	n/a	.035	2.8
G21971	CHBS-7-15	7	15	170	n/a	.035	2.8
G21814	CHBS-8.5-5	8.5	5	170	320	.035	3.2
G21817	CHBS-8.5-7	8.5	7	170	320	.035	3.2
G21820	CHBS-8.5-9	8.5	9	170	320	.035	3.2
G21888	CHBS-8.5-12	8.5	12	170	320	.035	3.2
G21889	CHBS-8.5-15	8.5	15	170	320	.035	3.2
G21454	CHBS-10-3	10	3	170	320	.035	3.7
G21455	CHBS-10-5	10	5	170	320	.035	3.7
G21457	CHBS-10-7	10	7	170	320	.035	3.7
G21459	CHBS-10-9	10	9	170	320	.035	3.7

Set Includes: Stent, pushing catheter, guiding catheter and positioning sleeve. Guiding catheter not included with 7 Fr stents. Components sold separately.

Continued on page 104

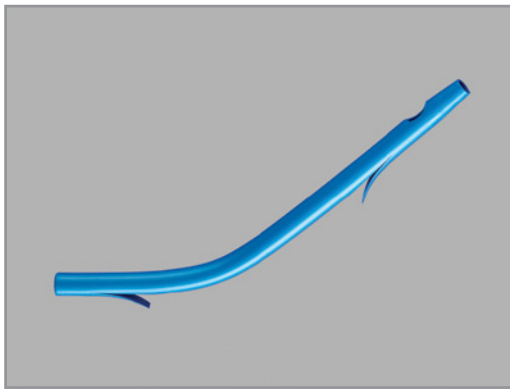
Biliary/Pancreatic - Plastic Stents

Cotton-Huibregtse® Biliary Stent Sets

Continued from page 103

Order Number	Reference Part Number	Stent Size Fr	Stent Length cm	Pushing Catheter Length cm	Guiding Catheter Length cm	Wire Guide Diameter inch	Minimum Accessory Channel mm
G21996	CHBS-10-10	10	10	170	320	.035	3.7
G21997	CHBS-10-11	10	11	170	320	.035	3.7
G21999	CHBS-10-12	10	12	170	320	.035	3.7
G22000	CHBS-10-15	10	15	170	320	.035	3.7
G21541	CHBS-11.5-5	11.5	5	170	320	.035	4.2
G21542	CHBS-11.5-7	11.5	7	170	320	.035	4.2
G21545	CHBS-11.5-9	11.5	9	170	320	.035	4.2
G22118	CHBS-11.5-10	11.5	10	170	320	.035	4.2
G22121	CHBS-11.5-12	11.5	12	170	320	.035	4.2
G22123	CHBS-11.5-15	11.5	15	170	320	.035	4.2

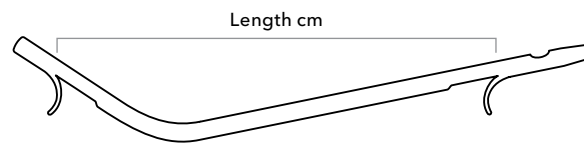
Set Includes: Stent, pushing catheter, guiding catheter and positioning sleeve. Guiding catheter not included with 7 Fr stents. Components sold separately.



Cotton-Huibregtse® Biliary Stent Only

Used to drain obstructed biliary ducts.

- Minimizes migration with proximal and distal flaps
- Smooth cannulation facilitated by tapered tip
- Enhanced positioning provided by anatomical shape
- Pushability and softness delivered by polyethylene material



Order Number	Reference Part Number	Stent Size Fr	Stent Length cm	Wire Guide Diameter inch	Minimum Accessory Channel mm
G21719	CHBSO-7-4	7	4	.035	2.8
G21720	CHBSO-7-5	7	5	.035	2.8
G21721	CHBSO-7-7	7	7	.035	2.8
G21722	CHBSO-7-9	7	9	.035	2.8
G22211	CHBSO-7-10	7	10	.035	2.8
G22213	CHBSO-7-12	7	12	.035	2.8
G22217	CHBSO-7-15	7	15	.035	2.8
G27172	CHBSO-7-18	7	18	.035	2.8
G21699	CHBSO-8.5-5	8.5	5	.035	3.2
G21700	CHBSO-8.5-7	8.5	7	.035	3.2
G21702	CHBSO-8.5-9	8.5	9	.035	3.2
G22195	CHBSO-8.5-10	8.5	10	.035	3.2
G22196	CHBSO-8.5-12	8.5	12	.035	3.2
G22198	CHBSO-8.5-15	8.5	15	.035	3.2
G27173	CHBSO-8.5-18	8.5	18	.035	3.2
G21648	CHBSO-10-3	10	3	.035	3.7
G21650	CHBSO-10-4	10	4	.035	3.7
G21652	CHBSO-10-5	10	5	.035	3.7
G21654	CHBSO-10-6	10	6	.035	3.7
G21656	CHBSO-10-7	10	7	.035	3.7
G21657	CHBSO-10-8	10	8	.035	3.7

Includes a positioning sleeve. Introducer components sold separately.

Continued on page 106

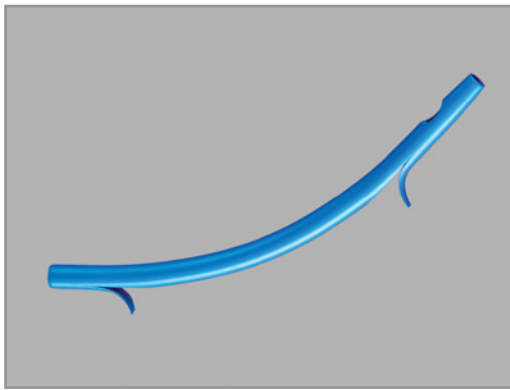
Biliary/Pancreatic - Plastic Stents

Cotton-Huibregtse® Biliary Stent Only

Continued from page 105

Order Number	Reference Part Number	Stent Size Fr	Stent Length cm	Wire Guide Diameter inch	Minimum Accessory Channel mm
G21658	CHBSO-10-9	10	9	.035	3.7
G21879	CHBSO-10-10	10	10	.035	3.7
G21880	CHBSO-10-11	10	11	.035	3.7
G21881	CHBSO-10-12	10	12	.035	3.7
G21883	CHBSO-10-15	10	15	.035	3.7
G22404	CHBSO-10-18	10	18	.035	3.7
G21797	CHBSO-11.5-5	11.5	5	.035	4.2
G21799	CHBSO-11.5-7	11.5	7	.035	4.2
G21800	CHBSO-11.5-8	11.5	8	.035	4.2
G21801	CHBSO-11.5-9	11.5	9	.035	4.2
G22197	CHBSO-11.5-10	11.5	10	.035	4.2
G22199	CHBSO-11.5-12	11.5	12	.035	4.2
G22200	CHBSO-11.5-15	11.5	15	.035	4.2
G27171	CHBSO-11.5-18	11.5	18	.035	4.2

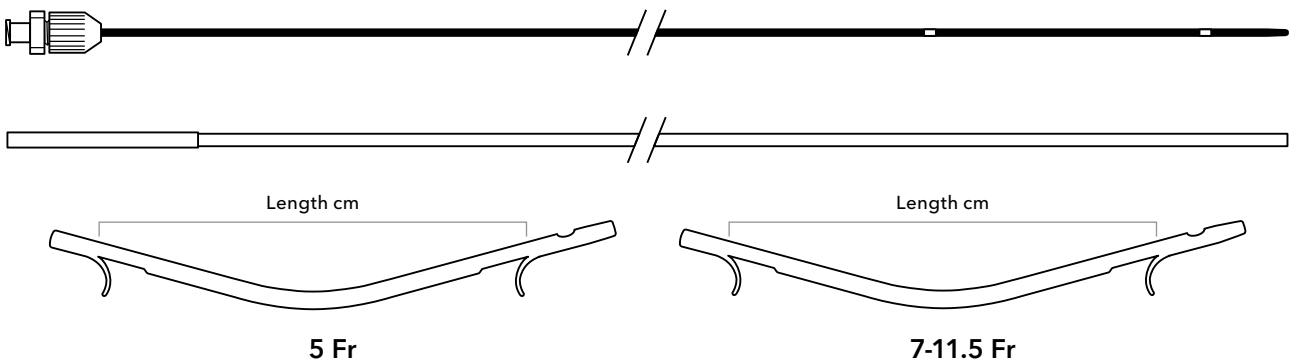
Includes a positioning sleeve. Introducer components sold separately.



Cotton-Leung® Biliary Stent Sets

Used to drain obstructed biliary ducts.

- Minimizes migration with proximal and distal flaps
- Smooth cannulation facilitated by tapered tip
- Adapts to bile duct due to gentle curved shape
- Pushability and softness delivered by polyethylene material
- Available in a wide range of sizes
- Simplify inventory management and enhance procedural efficiency with stent sets, which include pushing and guiding catheters



Order Number	Reference Part Number	Stent Size Fr	Stent Length cm	Pushing Catheter Length cm	Guiding Catheter Length cm	Wire Guide Diameter inch	Minimum Accessory Channel mm
G22402	CLBS-5-5	5	5	170	n/a	.035	2
G22278	CLBS-5-7	5	7	170	n/a	.035	2
G22403	CLBS-5-9	5	9	170	n/a	.035	2
G22414	CLBS-5-12	5	12	170	n/a	.035	2
G21947	CLBS-7-3	7	3	170	n/a	.035	2.8
G21949	CLBS-7-4	7	4	170	n/a	.035	2.8
G21950	CLBS-7-5	7	5	170	n/a	.035	2.8
G21951	CLBS-7-6	7	6	170	n/a	.035	2.8
G21952	CLBS-7-7	7	7	170	n/a	.035	2.8
G27135	CLBS-7-8	7	8	170	n/a	.035	2.8
G21954	CLBS-7-9	7	9	170	n/a	.035	2.8
G21563	CLBS-7-10	7	10	170	n/a	.035	2.8
G27130	CLBS-7-11	7	11	170	n/a	.035	2.8
G21566	CLBS-7-12	7	12	170	n/a	.035	2.8
G27131	CLBS-7-13	7	13	170	n/a	.035	2.8
G27132	CLBS-7-14	7	14	170	n/a	.035	2.8

Set Includes: Stent, pushing catheter, guiding catheter and positioning sleeve. Guiding catheter not included with 5 Fr and 7 Fr stents. Components sold separately.

Continued on page 108

Biliary/Pancreatic - Plastic Stents

Cotton-Leung® Biliary Stent Sets

Continued from page 107

Order Number	Reference Part Number	Stent Size Fr	Stent Length cm	Pushing Catheter Length cm	Guiding Catheter Length cm	Wire Guide Diameter inch	Minimum Accessory Channel mm
G21569	CLBS-7-15	7	15	170	n/a	.035	2.8
G27133	CLBS-7-16	7	16	170	n/a	.035	2.8
G27134	CLBS-7-17	7	17	170	n/a	.035	2.8
G21574	CLBS-7-18	7	18	170	n/a	.035	2.8
G21487	CLBS-8.5-3	8.5	3	170	320	.035	3.2
G21489	CLBS-8.5-5	8.5	5	170	320	.035	3.2
G21490	CLBS-8.5-6	8.5	6	170	320	.035	3.2
G21492	CLBS-8.5-7	8.5	7	170	320	.035	3.2
G21495	CLBS-8.5-8	8.5	8	170	320	.035	3.2
G21496	CLBS-8.5-9	8.5	9	170	320	.035	3.2
G21598	CLBS-8.5-10	8.5	10	170	320	.035	3.2
G27136	CLBS-8.5-11	8.5	11	170	320	.035	3.2
G21599	CLBS-8.5-12	8.5	12	170	320	.035	3.2
G27137	CLBS-8.5-13	8.5	13	170	320	.035	3.2
G27138	CLBS-8.5-14	8.5	14	170	320	.035	3.2
G21600	CLBS-8.5-15	8.5	15	170	320	.035	3.2
G24648	CLBS-8.5-16	8.5	16	170	320	.035	3.2
G24649	CLBS-8.5-17	8.5	17	170	320	.035	3.2
G27139	CLBS-8.5-18	8.5	18	170	320	.035	3.2
G21841	CLBS-10-3	10	3	170	320	.035	3.7
G21843	CLBS-10-4	10	4	170	320	.035	3.7
G21844	CLBS-10-5	10	5	170	320	.035	3.7
G27124	CLBS-10-6	10	6	170	320	.035	3.7
G21847	CLBS-10-7	10	7	170	320	.035	3.7
G21848	CLBS-10-8	10	8	170	320	.035	3.7
G21850	CLBS-10-9	10	9	170	320	.035	3.7
G21668	CLBS-10-10	10	10	170	320	.035	3.7
G27121	CLBS-10-11	10	11	170	320	.035	3.7
G21670	CLBS-10-12	10	12	170	320	.035	3.7
G21672	CLBS-10-13	10	13	170	320	.035	3.7
G27122	CLBS-10-14	10	14	170	320	.035	3.7
G21673	CLBS-10-15	10	15	170	320	.035	3.7
G27123	CLBS-10-16	10	16	170	320	.035	3.7
G21674	CLBS-10-17	10	17	170	320	.035	3.7
G21675	CLBS-10-18	10	18	170	320	.035	3.7

Set Includes: Stent, pushing catheter, guiding catheter and positioning sleeve. Guiding catheter not included with 5 Fr and 7 Fr stents.
Components sold separately.

Continued on page 109

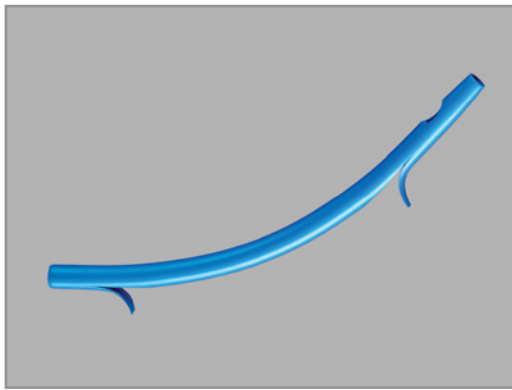
Cotton-Leung® Biliary Stent Sets

Continued from page 108

Order Number	Reference Part Number	Stent Size Fr	Stent Length cm	Pushing Catheter Length cm	Guiding Catheter Length cm	Wire Guide Diameter inch	Minimum Accessory Channel mm
G22051	CLBS-11.5-3	11.5	3	170	320	.035	4.2
G22052	CLBS-11.5-5	11.5	5	170	320	.035	4.2
G22054	CLBS-11.5-6	11.5	6	170	320	.035	4.2
G22056	CLBS-11.5-7	11.5	7	170	320	.035	4.2
G22057	CLBS-11.5-8	11.5	8	170	320	.035	4.2
G22059	CLBS-11.5-9	11.5	9	170	320	.035	4.2
G27125	CLBS-11.5-10	11.5	10	170	320	.035	4.2
G22053	CLBS-11.5-11	11.5	11	170	320	.035	4.2
G22055	CLBS-11.5-12	11.5	12	170	320	.035	4.2
G27126	CLBS-11.5-13	11.5	13	170	320	.035	4.2
G27127	CLBS-11.5-14	11.5	14	170	320	.035	4.2
G22060	CLBS-11.5-15	11.5	15	170	320	.035	4.2
G27128	CLBS-11.5-16	11.5	16	170	320	.035	4.2
G27129	CLBS-11.5-17	11.5	17	170	320	.035	4.2
G22064	CLBS-11.5-18	11.5	18	170	320	.035	4.2

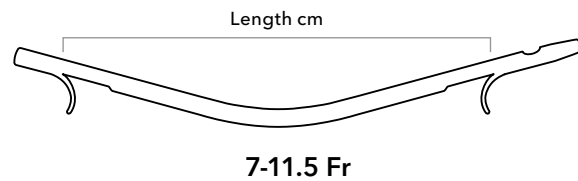
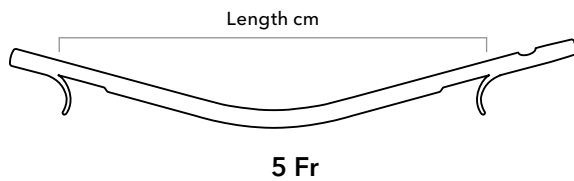
Set Includes: Stent, pushing catheter, guiding catheter and positioning sleeve. Guiding catheter not included with 5 Fr and 7 Fr stents. Components sold separately.

Biliary/Pancreatic - Plastic Stents

**Cotton-Leung® Biliary Stent only**

Used to drain obstructed biliary ducts.

- Minimizes migration with proximal and distal flaps
- Smooth cannulation facilitated by tapered tip
- Adapts to bile duct due to gentle curved shape
- Pushability and softness delivered by polyethylene material
- Available in a wide range of sizes



Order Number	Reference Part Number	Stent Size Fr	Stent Length cm	Wire Guide Diameter inch	Minimum Accessory Channel mm
G22383	CLSO-5-3	5	3	.035	2
G21565	CLSO-5-5	5	5	.035	2
G22384	CLSO-5-7	5	7	.035	2
G22385	CLSO-5-9	5	9	.035	2
G22398	CLSO-5-12	5	12	.035	2
G22399	CLSO-5-15	5	15	.035	2
G22392	CLSO-7-2	7	2	.035	2.8
G21679	CLSO-7-3	7	3	.035	2.8
G21680	CLSO-7-4	7	4	.035	2.8
G21681	CLSO-7-5	7	5	.035	2.8
G27143	CLSO-7-6	7	6	.035	2.8
G21683	CLSO-7-7	7	7	.035	2.8
G21684	CLSO-7-8	7	8	.035	2.8
G21685	CLSO-7-9	7	9	.035	2.8
G21979	CLSO-7-10	7	10	.035	2.8
G21981	CLSO-7-11	7	11	.035	2.8
G21983	CLSO-7-12	7	12	.035	2.8
G21984	CLSO-7-13	7	13	.035	2.8
G21987	CLSO-7-14	7	14	.035	2.8
G21988	CLSO-7-15	7	15	.035	2.8
G27142	CLSO-7-16	7	16	.035	2.8

Includes a positioning sleeve.

See page 98, 139, and 99 for introducer components, sold separately.

Continued on page 111

Cotton-Leung® Biliary Stent only

Continued from page 110

Order Number	Reference Part Number	Stent Size Fr	Stent Length cm	Wire Guide Diameter inch	Minimum Accessory Channel mm
G22480	CLSO-7-17	7	17	.035	2.8
G21990	CLSO-7-18	7	18	.035	2.8
G21991	CLSO-7-19	7	19	.035	2.8
G21993	CLSO-7-20	7	20	.035	2.8
G24784	CLSO-7-21	7	21	.035	2.8
G21617	CLSO-8.5-3	8.5	3	.035	3.2
G21619	CLSO-8.5-5	8.5	5	.035	3.2
G27148	CLSO-8.5-6	8.5	6	.035	3.2
G21620	CLSO-8.5-7	8.5	7	.035	3.2
G22343	CLSO-8.5-8	8.5	8	.035	3.2
G21621	CLSO-8.5-9	8.5	9	.035	3.2
G22009	CLSO-8.5-10	8.5	10	.035	3.2
G27145	CLSO-8.5-11	8.5	11	.035	3.2
G22011	CLSO-8.5-12	8.5	12	.035	3.2
G27146	CLSO-8.5-13	8.5	13	.035	3.2
G27147	CLSO-8.5-14	8.5	14	.035	3.2
G22012	CLSO-8.5-15	8.5	15	.035	3.2
G22709	CLSO-8.5-16	8.5	16	.035	3.2
G22710	CLSO-8.5-17	8.5	17	.035	3.2
G22711	CLSO-8.5-18	8.5	18	.035	3.2
G22712	CLSO-8.5-20	8.5	20	.035	3.2
G21463	CLSO-10-2	10	2	.035	3.7
G21464	CLSO-10-3	10	3	.035	3.7
G21465	CLSO-10-4	10	4	.035	3.7
G22622	CLSO-10-5	10	5	.035	3.7
G21467	CLSO-10-6	10	6	.035	3.7
G21469	CLSO-10-7	10	7	.035	3.7
G21472	CLSO-10-8	10	8	.035	3.7
G21474	CLSO-10-9	10	9	.035	3.7
G21807	CLSO-10-10	10	10	.035	3.7
G21808	CLSO-10-11	10	11	.035	3.7
G21810	CLSO-10-12	10	12	.035	3.7
G21811	CLSO-10-13	10	13	.035	3.7
G21812	CLSO-10-14	10	14	.035	3.7
G21813	CLSO-10-15	10	15	.035	3.7

Includes a positioning sleeve.

See page 98, 139, and 99 for introducer components, sold separately.

Continued on page 112

Biliary/Pancreatic - Plastic Stents

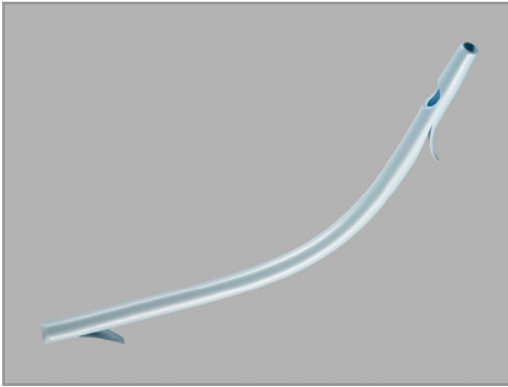
Cotton-Leung® Biliary Stent only

Continued from page 111

Order Number	Reference Part Number	Stent Size Fr	Stent Length cm	Wire Guide Diameter inch	Minimum Accessory Channel mm
G21815	CLSO-10-16	10	16	.035	3.7
G21816	CLSO-10-17	10	17	.035	3.7
G21818	CLSO-10-18	10	18	.035	3.7
G22479	CLSO-10-19	10	19	.035	3.7
G21821	CLSO-10-20	10	20	.035	3.7
G24785	CLSO-10-21	10	21	.035	3.7
G21639	CLSO-11.5-3	11.5	3	.035	4.2
G21643	CLSO-11.5-5	11.5	5	.035	4.2
G27141	CLSO-11.5-6	11.5	6	.035	4.2
G21646	CLSO-11.5-7	11.5	7	.035	4.2
G27104	CLSO-11.5-8	11.5	8	.035	4.2
G21647	CLSO-11.5-9	11.5	9	.035	4.2
G21761	CLSO-11.5-10	11.5	10	.035	4.2
G27103	CLSO-11.5-11	11.5	11	.035	4.2
G27140	CLSO-11.5-12	11.5	12	.035	4.2
G31508	CLSO-11.5-13	11.5	13	.035	4.2
G21763	CLSO-11.5-14	11.5	14	.035	4.2
G21764	CLSO-11.5-15	11.5	15	.035	4.2
G21766	CLSO-11.5-16	11.5	16	.035	4.2
G22400	CLSO-11.5-17	11.5	17	.035	4.2
G21767	CLSO-11.5-18	11.5	18	.035	4.2
G22713	CLSO-11.5-20	11.5	20	.035	4.2

Includes a positioning sleeve.

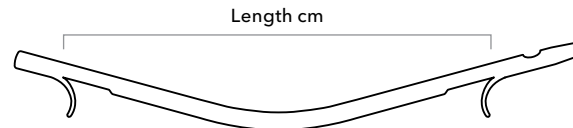
See page 98, 139, and 99 for introducer components, sold separately.



Cotton-Leung® Sof-Flex® Biliary Stent

Used to drain obstructed biliary ducts.

- Fluoroscopic visibility enhanced by Sof-Flex, a soft pliable radiopaque material
- Minimizes migration with proximal and distal flaps
- Adapts to bile duct because of gentle curved shape
- Smooth cannulation facilitated by tapered tip
- Available in a wide range of sizes



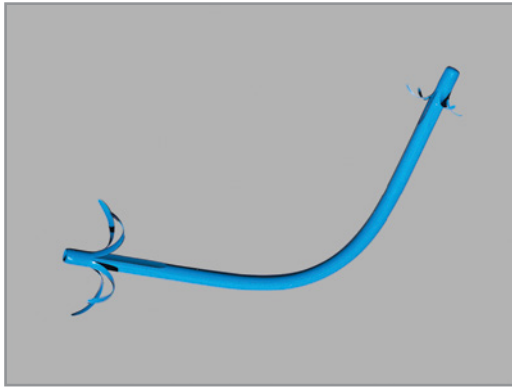
Order Number	Reference Part Number	Stent Size Fr	Stent Length cm	Wire Guide Diameter inch	Minimum Accessory Channel mm
G49658	CLSO-SF-7-5	7	5	.035	2.8
G49659	CLSO-SF-7-7	7	7	.035	2.8
G49660	CLSO-SF-7-9	7	9	.035	2.8
G49661	CLSO-SF-7-12	7	12	.035	2.8
G49662	CLSO-SF-7-15	7	15	.035	2.8
G49653	CLSO-SF-10-5*	10	5	.035	3.7
G49654	CLSO-SF-10-7*	10	7	.035	3.7
G49655	CLSO-SF-10-9*	10	9	.035	3.7
G49656	CLSO-SF-10-12*	10	12	.035	3.7
G49657	CLSO-SF-10-15*	10	15	.035	3.7

*Use with FS-OA (page 95) or PC-10 and GC-5 (page 99).

Introducer components sold separately.

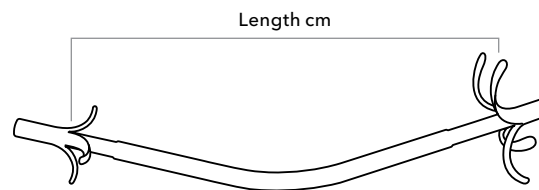
Not compatible with Fusion Wire Guide Locking Device.

Biliary/Pancreatic - Plastic Stents

**ST-2 Soehendra Tannenbaum® Biliary Stent**

Used to drain obstructed biliary ducts.

- Minimizes stent migration with proximal and distal flap design
- Proper positioning in bile duct enabled by gentle contour
- Smoothness and pushability delivered by Teflon® material
- Available in a wide range of sizes



Order Number	Reference Part Number	Stent Size Fr	Stent Length cm	Wire Guide Diameter inch	Minimum Accessory Channel mm
G22292	TTSO-8.5-5	8.5	5	.035	3.2
G22293	TTSO-8.5-6	8.5	6	.035	3.2
G22294	TTSO-8.5-7	8.5	7	.035	3.2
G22295	TTSO-8.5-8	8.5	8	.035	3.2
G22296	TTSO-8.5-9	8.5	9	.035	3.2
G22288	TTSO-8.5-10	8.5	10	.035	3.2
G22289	TTSO-8.5-11	8.5	11	.035	3.2
G22290	TTSO-8.5-12	8.5	12	.035	3.2
G27198	TTSO-8.5-13	8.5	13	.035	3.2
G27170	TTSO-8.5-14	8.5	14	.035	3.2
G22291	TTSO-8.5-15	8.5	15	.035	3.2
G21436	TTSO-10-5	10	5	.035	3.7
G21437	TTSO-10-6	10	6	.035	3.7
G21438	TTSO-10-7	10	7	.035	3.7
G21440	TTSO-10-8	10	8	.035	3.7
G21441	TTSO-10-9	10	9	.035	3.7
G22125	TTSO-10-10	10	10	.035	3.7
G22127	TTSO-10-11	10	11	.035	3.7
G22129	TTSO-10-12	10	12	.035	3.7

Includes a positioning sleeve.

Recommend for use with the OASIS® One Action Stent Introduction System (page 97), sold separately.

Teflon is a registered trademark of DuPont Corporation.

Continued on page 115

ST-2 Soehendra Tannenbaum® Biliary Stent

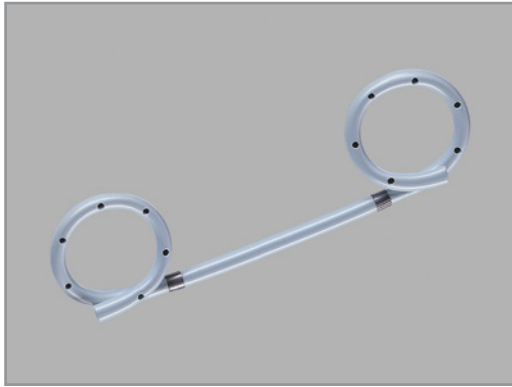
Continued from page 114

Order Number	Reference Part Number	Stent Size Fr	Stent Length cm	Wire Guide Diameter inch	Minimum Accessory Channel mm
G27167	TTSO-10-13	10	13	.035	3.7
G27168	TTSO-10-14	10	14	.035	3.7
G22130	TTSO-10-15	10	15	.035	3.7
G22283	TTSO-11.5-5	11.5	5	.035	4.2
G22284	TTSO-11.5-6	11.5	6	.035	4.2
G22285	TTSO-11.5-7	11.5	7	.035	4.2
G22286	TTSO-11.5-8	11.5	8	.035	4.2
G22287	TTSO-11.5-9	11.5	9	.035	4.2
G22280	TTSO-11.5-10	11.5	10	.035	4.2
G27169	TTSO-11.5-11	11.5	11	.035	4.2
G22281	TTSO-11.5-12	11.5	12	.035	4.2
G27196	TTSO-11.5-13	11.5	13	.035	4.2
G27197	TTSO-11.5-14	11.5	14	.035	4.2
G22282	TTSO-11.5-15	11.5	15	.035	4.2

Includes a positioning sleeve.

Recommend for use with the OASIS® One Action Stent Introduction System (page 97), sold separately.

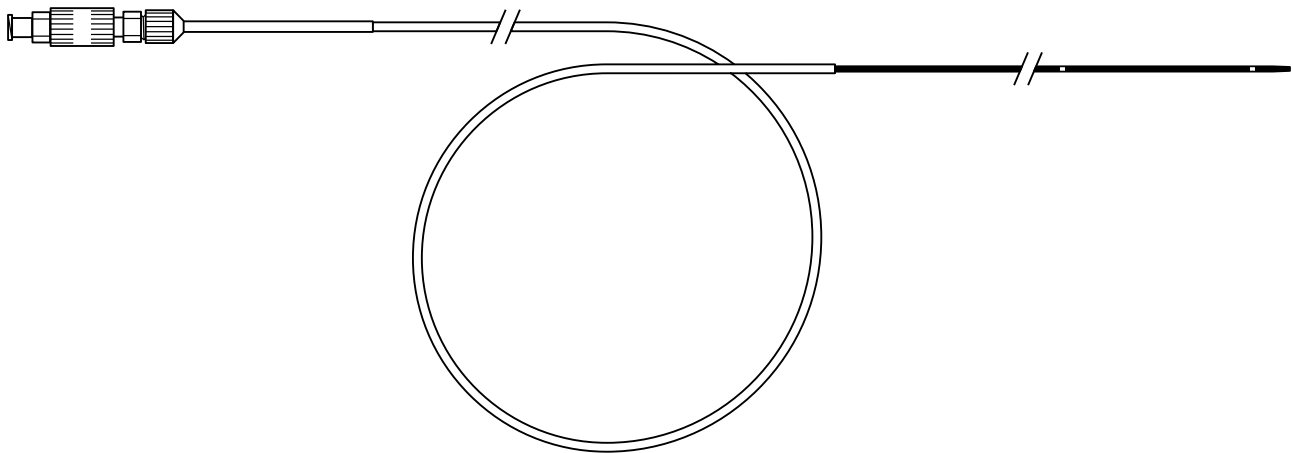
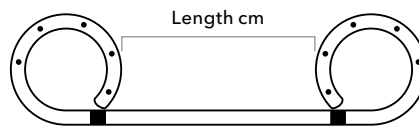
Teflon is a registered trademark of DuPont Corporation.



Solus® Double Pigtail Stent with Introducer

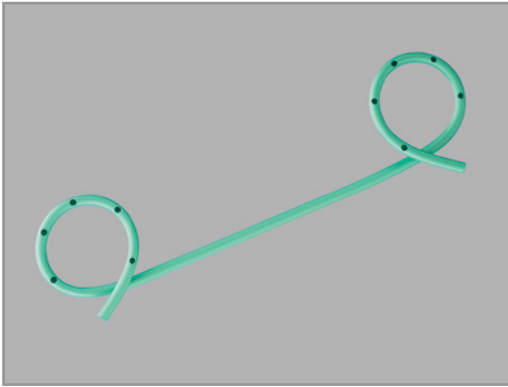
Used to drain obstructed biliary ducts.

- Minimizes migration with double pigtail configuration
- Fluoroscopic visibility enhanced by Sof-Flex, a soft pliable radiopaque material
- Accurate position is achieved by visibility of radiopaque markers
- Efficient drainage provided by multiple side holes
- Simplify inventory management and enhance procedure efficiency—with included one-step introducer



Order Number	Reference Part Number	Stent Size Fr	Stent Length cm	Pushing Catheter Length cm	Guiding Catheter Length cm	Wire Guide Diameter inch	Minimum Accessory Channel mm
G26829	ZSS-10-1-RB	10	1	165	210	.035	3.7
G25670	ZSS-10-3-RB	10	3	165	210	.035	3.7
G25671	ZSS-10-4-RB	10	4	165	210	.035	3.7
G25672	ZSS-10-5-RB	10	5	165	210	.035	3.7
G25673	ZSS-10-7-RB	10	7	165	210	.035	3.7
G25674	ZSS-10-9-RB	10	9	165	210	.035	3.7
G25685	ZSS-10-10-RB	10	10	165	210	.035	3.7
G25675	ZSS-10-12-RB	10	12	165	210	.035	3.7
G25676	ZSS-10-15-RB	10	15	165	210	.035	3.7

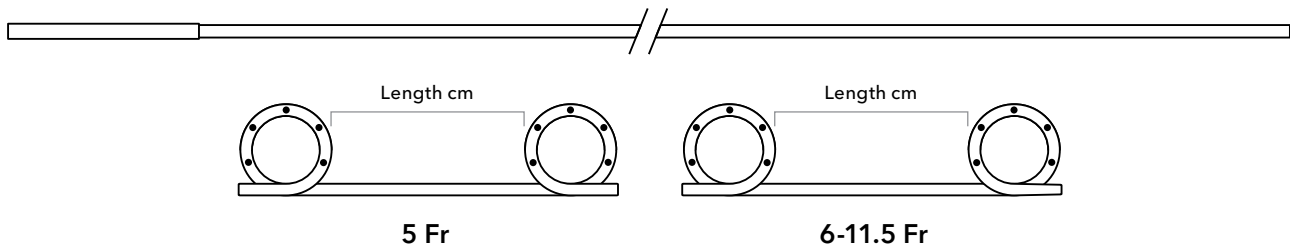
Set Includes: Radiopaque stent, 10 Fr pushing catheter, 5 Fr guiding catheter, pigtail straightener.



Zimmon® Biliary Stent Sets

Used to drain obstructed biliary ducts.

- Minimizes migration with double pigtail configuration
- Efficient drainage provided by multiple side holes
- Simplify inventory management and enhance procedure efficiency—with includes a pushing catheter



Order Number	Reference Part Number	Stent Size Fr	Stent Length cm	Pushing Catheter Length cm	Wire Guide Diameter inch	Minimum Accessory Channel mm
G22436	ZEBD-5-3	5	3	170	.035	2
G22137	ZEBD-5-4	5	4	170	.035	2
G22138	ZEBD-5-5	5	5	170	.035	2
G22140	ZEBD-5-7	5	7	170	.035	2
G22141	ZEBD-5-9	5	9	170	.035	2
G22122	ZEBD-5-10	5	10	170	.035	2
G22437	ZEBD-5-12	5	12	170	.035	2
G22128	ZEBD-5-15	5	15	170	.035	2
G22191	ZEBD-6-4	6	4	170	.035	2.8
G22194	ZEBD-6-7	6	7	170	.035	2.8
G21795	ZEBD-6-10	6	10	170	.035	2.8
G21798	ZEBD-6-12	6	12	170	.035	2.8
G22438	ZEBD-7-2	7	2	170	.035	2.8
G22439	ZEBD-7-3	7	3	170	.035	2.8
G21393	ZEBD-7-4	7	4	170	.035	2.8
G21394	ZEBD-7-5	7	5	170	.035	2.8
G21395	ZEBD-7-6	7	6	170	.035	2.8
G21396	ZEBD-7-7	7	7	170	.035	2.8

Set Includes: Stent, pushing catheter and pigtail straightener. Components available separately.

Continued on page 118

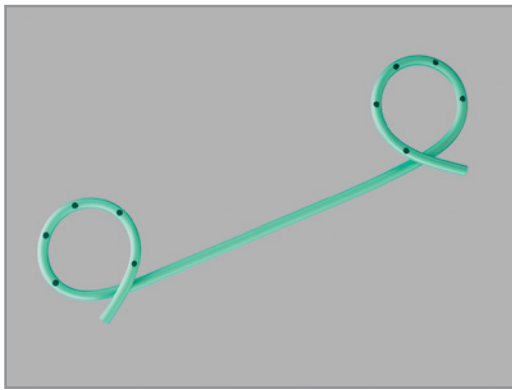
Biliary/Pancreatic - Plastic Stents

Zimmon® Biliary Stent Sets

Continued from page 117

Order Number	Reference Part Number	Stent Size Fr	Stent Length cm	Pushing Catheter Length cm	Wire Guide Diameter inch	Minimum Accessory Channel mm
G21397	ZEBD-7-8	7	8	170	.035	2.8
G21398	ZEBD-7-9	7	9	170	.035	2.8
G25794	ZEBD-7-10	7	10	170	.035	2.8
G21526	ZEBD-7-12	7	12	170	.035	2.8
G21529	ZEBD-7-15	7	15	170	.035	2.8
G21530	ZEBD-7-18	7	18	170	.035	2.8
G21460	ZEBD-8-5	8	5	170	.035	3.2
G21462	ZEBD-8-7	8	7	170	.035	3.2
G22440	ZEBD-8-9	8	9	170	.035	3.2
G22026	ZEBD-8-12	8	12	170	.035	3.2
G22027	ZEBD-8-15	8	15	170	.035	3.2
G22441	ZEBD-10-2	10	2	170	.035	3.7
G21780	ZEBD-10-3	10	3	170	.035	3.7
G21781	ZEBD-10-4	10	4	170	.035	3.7
G21783	ZEBD-10-5	10	5	170	.035	3.7
G21785	ZEBD-10-6	10	6	170	.035	3.7
G21787	ZEBD-10-7	10	7	170	.035	3.7
G21788	ZEBD-10-8	10	8	170	.035	3.7
G21789	ZEBD-10-9	10	9	170	.035	3.7
G21862	ZEBD-10-10	10	10	170	.035	3.7
G21864	ZEBD-10-12	10	12	170	.035	3.7
G21865	ZEBD-10-15	10	15	170	.035	3.7
G21439	ZEBD-11.5-5	11.5	5	170	.035	4.2
G21442	ZEBD-11.5-7	11.5	7	170	.035	4.2
G21446	ZEBD-11.5-9	11.5	9	170	.035	4.2
G22207	ZEBD-11.5-12	11.5	12	170	.035	4.2
G22442	ZEBD-11.5-15	11.5	15	170	.035	4.2

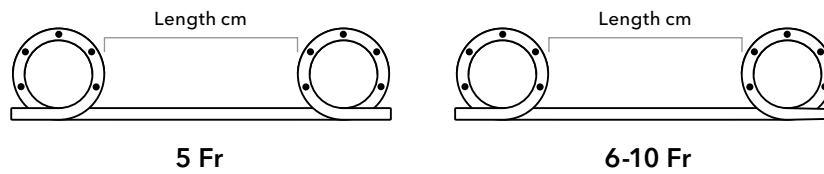
Set Includes: Stent, pushing catheter and pigtail straightener. Components available separately.



Zimmon® Biliary Stent only

Used to drain obstructed biliary ducts.

- Minimizes migration with double pigtail configuration
- Efficient drainage provided by multiple side holes



Order Number	Reference Part Number	Stent Size Fr	Stent Length cm	Wire Guide Diameter inch	Minimum Accessory Channel mm
G22032	ZSO-5-3	5	3	.035	2
G22034	ZSO-5-4	5	4	.035	2
G22036	ZSO-5-5	5	5	.035	2
G22038	ZSO-5-7	5	7	.035	2
G22040	ZSO-5-9	5	9	.035	2
G21499	ZSO-5-10	5	10	.035	2
G21501	ZSO-5-12	5	12	.035	2
G22443	ZSO-5-15	5	15	.035	2
G22105	ZSO-6-4	6	4	.035	2.8
G22109	ZSO-6-7	6	7	.035	2.8
G22112	ZSO-6-9	6	9	.035	2.8
G21998	ZSO-6-10	6	10	.035	2.8
G22159	ZSO-7-3	7	3	.035	2.8
G22161	ZSO-7-4	7	4	.035	2.8
G22163	ZSO-7-5	7	5	.035	2.8
G22164	ZSO-7-6	7	6	.035	2.8
G22167	ZSO-7-7	7	7	.035	2.8
G22170	ZSO-7-9	7	9	.035	2.8
G21707	ZSO-7-10	7	10	.035	2.8
G21708	ZSO-7-12	7	12	.035	2.8

Includes a pigtail straightener. See page 99 for introducer components, sold separately.

Continued on page 120

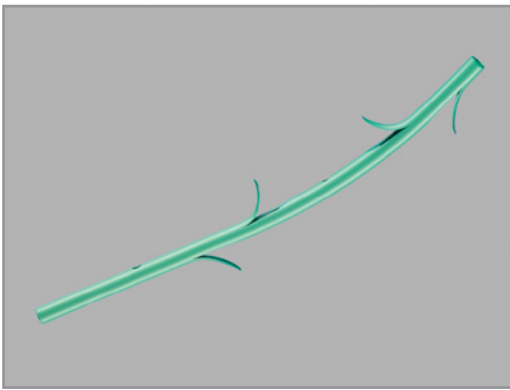
Biliary/Pancreatic - Plastic Stents

Zimmon® Biliary Stent only

Continued from page 119

Order Number	Reference Part Number	Stent Size Fr	Stent Length cm	Wire Guide Diameter inch	Minimum Accessory Channel mm
G21711	ZSO-7-15	7	15	.035	2.8
G23005	ZSO-7-16	7	16	.035	2.8
G23006	ZSO-7-18	7	18	.035	2.8
G21369	ZSO-8-4	8	4	.035	3.2
G21370	ZSO-8-5	8	5	.035	3.2
G21372	ZSO-8-7	8	7	.035	3.2
G21375	ZSO-8-9	8	9	.035	3.2
G21401	ZSO-8-10	8	10	.035	3.2
G21404	ZSO-8-12	8	12	.035	3.2
G21408	ZSO-8-15	8	15	.035	3.2
G25399	ZSO-10-2	10	2	.035	3.7
G21973	ZSO-10-3	10	3	.035	3.7
G21974	ZSO-10-4	10	4	.035	3.7
G21975	ZSO-10-5	10	5	.035	3.7
G21976	ZSO-10-6	10	6	.035	3.7
G21977	ZSO-10-7	10	7	.035	3.7
G21980	ZSO-10-8	10	8	.035	3.7
G21982	ZSO-10-9	10	9	.035	3.7
G21637	ZSO-10-10	10	10	.035	3.7
G21640	ZSO-10-12	10	12	.035	3.7
G21645	ZSO-10-15	10	15	.035	3.7

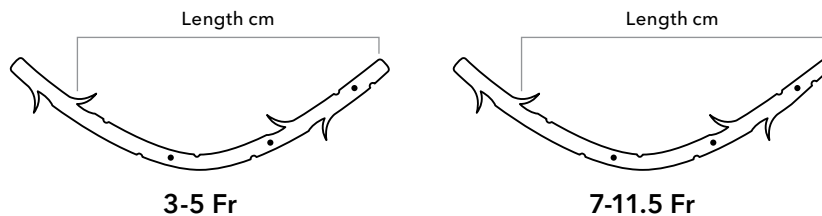
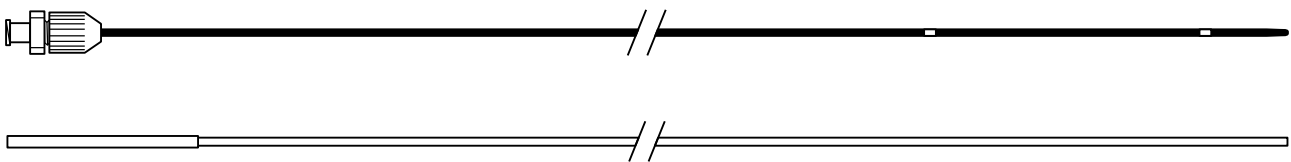
Includes a pigtail straightener. See page 99 for introducer components, sold separately.



Geenen® Pancreatic Stent Sets

Used to drain obstructed pancreatic ducts.

- Smooth cannulation eased by tapered tip
- Proper positioning facilitated by contoured shape
- Drainage enhanced by side holes
- Minimizes migration with offset flaps
- Pushability and softness delivered by the stent’s polyethylene material
- Simplify inventory management and enhance procedure efficiency with stent sets, which include a pushing catheter and a guiding catheter



Order Number	Reference Part Number	Stent Size Fr	Stent Length cm	Pushing Catheter Length cm	Wire Guide Diameter inch	Minimum Accessory Channel mm
G24552	GEPD-3-3	3	3	170	.018	2
G27180	GEPD-3-4	3	4	170	.018	2
G27181	GEPD-3-5	3	5	170	.018	2
G27149	GEPD-3-6	3	6	170	.018	2
G27182	GEPD-3-7	3	7	170	.018	2
G27183	GEPD-3-8	3	8	170	.018	2
G27184	GEPD-3-9	3	9	170	.018	2
G27174	GEPD-3-10	3	10	170	.018	2
G27175	GEPD-3-11	3	11	170	.018	2
G27176	GEPD-3-12	3	12	170	.018	2
G27177	GEPD-3-13	3	13	170	.018	2
G27178	GEPD-3-14	3	14	170	.018	2
G27179	GEPD-3-15	3	15	170	.018	2
G22478	GEPD-5-2	5	2	170	.035	2
G22206	GEPD-5-3	5	3	170	.035	2

Set Includes: Stent, pushing catheter and guiding catheter. Guiding catheter not included in 3 Fr, 5 Fr and 7 Fr stent sets. All wire guides are sold separately.

Continued on page 122

Biliary/Pancreatic - Plastic Stents

Geenen® Pancreatic Stent Sets

Continued from page 121

Order Number	Reference Part Number	Stent Size Fr	Stent Length cm	Pushing Catheter Length cm	Wire Guide Diameter inch	Minimum Accessory Channel mm
G22208	GEPD-5-4	5	4	170	.035	2
G22209	GEPD-5-5	5	5	170	.035	2
G22477	GEPD-5-6	5	6	170	.035	2
G22210	GEPD-5-7	5	7	170	.035	2
G22476	GEPD-5-8	5	8	170	.035	2
G22212	GEPD-5-9	5	9	170	.035	2
G27150	GEPD-5-10	5	10	170	.035	2
G27151	GEPD-5-11	5	11	170	.035	2
G22189	GEPD-5-12	5	12	170	.035	2
G27152	GEPD-5-13	5	13	170	.035	2
G27153	GEPD-5-14	5	14	170	.035	2
G22190	GEPD-5-15	5	15	170	.035	2
G21475	GEPD-7-3	7	3	170	.035	2.8
G21476	GEPD-7-4	7	4	170	.035	2.8
G21478	GEPD-7-5	7	5	170	.035	2.8
G27157	GEPD-7-6	7	6	170	.035	2.8
G21479	GEPD-7-7	7	7	170	.035	2.8
G27158	GEPD-7-8	7	8	170	.035	2.8
G21480	GEPD-7-9	7	9	170	.035	2.8
G21572	GEPD-7-10	7	10	170	.035	2.8
G27154	GEPD-7-11	7	11	170	.035	2.8
G21575	GEPD-7-12	7	12	170	.035	2.8
G27155	GEPD-7-13	7	13	170	.035	2.8
G27156	GEPD-7-14	7	14	170	.035	2.8
G21578	GEPD-7-15	7	15	170	.035	2.8
G22475	GEPD-8.5-3	8.5	3	170	.035	3.2
G22277	GEPD-8.5-5	8.5	5	170	.035	3.2
G22474	GEPD-8.5-7	8.5	7	170	.035	3.2
G22473	GEPD-8.5-9	8.5	9	170	.035	3.2
G24540	GEPD-8.5-12	8.5	12	170	.035	3.2
G22276	GEPD-10-3	10	3	170	.035	3.7
G21851	GEPD-10-5	10	5	170	.035	3.7
G22472	GEPD-10-7	10	7	170	.035	3.7

Set Includes: Stent, pushing catheter and guiding catheter. Guiding catheter not included in 3 Fr, 5 Fr and 7 Fr stent sets.

All wire guides are sold separately.

Continued on page 123

Geenen® Pancreatic Stent Sets

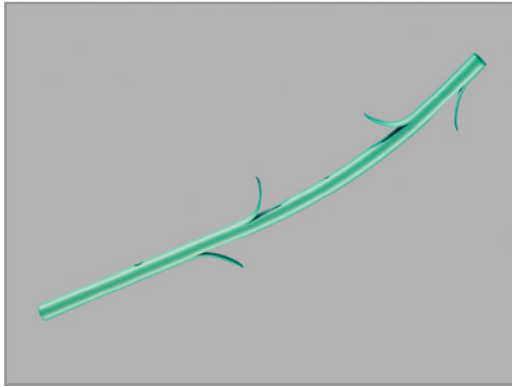
Continued from page 122

Order Number	Reference Part Number	Stent Size Fr	Stent Length cm	Pushing Catheter Length cm	Wire Guide Diameter inch	Minimum Accessory Channel mm
G22471	GEPD-10-9	10	9	170	.035	3.7
G22487	GEPD-10-12	10	12	170	.035	3.7
G22488	GEPD-10-15	10	15	170	.035	3.7
G22470	GEPD-11.5-6	11.5	6	170	.035	4.2
G22469	GEPD-11.5-8	11.5	8	170	.035	4.2
G22468	GEPD-11.5-10	11.5	10	170	.035	4.2
G22386	GEPD-11.5-12	11.5	12	170	.035	4.2

Set Includes: Stent, pushing catheter and guiding catheter. Guiding catheter not included in 3 Fr, 5 Fr and 7 Fr stent sets.

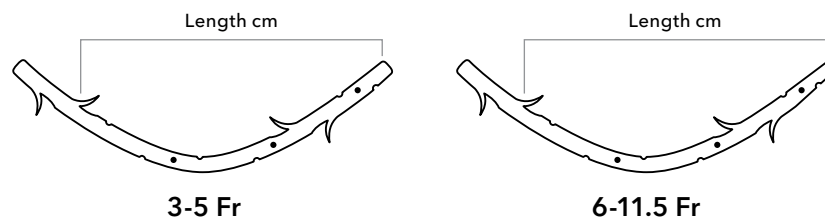
All wire guides are sold separately.

Biliary/Pancreatic - Plastic Stents

**Geenen® Pancreatic Stent only**

Used to drain obstructed pancreatic ducts.

- Smooth cannulation eased by tapered tip
- Proper positioning facilitated by contoured shape
- Drainage enhanced by side holes
- Minimizes migration with offset flaps
- Pushability and softness delivered by the stent's polyethylene material
- Simplify inventory management and enhance procedure efficiency with stent sets, which include pushing catheter



Order Number	Reference Part Number	Stent Size Fr	Stent Length cm	Wire Guide Diameter inch	Minimum Accessory Channel mm
G27105	GPSO-3-2	3	2	.018	2
G27190	GPSO-3-3	3	3	.018	2
G24543	GPSO-3-4	3	4	.018	2
G24545	GPSO-3-5	3	5	.018	2
G27191	GPSO-3-6	3	6	.018	2
G24523	GPSO-3-7	3	7	.018	2
G27192	GPSO-3-8	3	8	.018	2
G27193	GPSO-3-9	3	9	.018	2
G24542	GPSO-3-10	3	10	.018	2
G27185	GPSO-3-11	3	11	.018	2
G27186	GPSO-3-12	3	12	.018	2
G27187	GPSO-3-13	3	13	.018	2
G27188	GPSO-3-14	3	14	.018	2
G27189	GPSO-3-15	3	15	.018	2
G27106	GPSO-4-2	4	2	.021	2
G24525	GPSO-4-5	4	5	.021	2
G24529	GPSO-4-7	4	7	.021	2
G24801	GPSO-4-9	4	9	.021	2
G22434	GPSO-5-2	5	2	.035	2

See page 99 for introducer components, sold separately.

All wire guides are sold separately.

Continued on page 125

Geenen® Pancreatic Stent only

Continued from page 124

Order Number	Reference Part Number	Stent Size Fr	Stent Length cm	Wire Guide Diameter inch	Minimum Accessory Channel mm
G22107	GPSO-5-3	5	3	.035	2
G22110	GPSO-5-4	5	4	.035	2
G22111	GPSO-5-5	5	5	.035	2
G27162	GPSO-5-6	5	6	.035	2
G22113	GPSO-5-7	5	7	.035	2
G27163	GPSO-5-8	5	8	.035	2
G22114	GPSO-5-9	5	9	.035	2
G22097	GPSO-5-10	5	10	.035	2
G27159	GPSO-5-11	5	11	.035	2
G22099	GPSO-5-12	5	12	.035	2
G27160	GPSO-5-13	5	13	.035	2
G27161	GPSO-5-14	5	14	.035	2
G22102	GPSO-5-15	5	15	.035	2
G24802	GPSO-5-18	5	18	.035	2
G22467	GPSO-6-2	6	2	.035	2.8
G22410	GPSO-6-3	6	3	.035	2.8
G22411	GPSO-6-5	6	5	.035	2.8
G22412	GPSO-6-7	6	7	.035	2.8
G22413	GPSO-6-9	6	9	.035	2.8
G22401	GPSO-6-12	6	12	.035	2.8
G24546	GPSO-6-15	6	15	.035	2.8
G22379	GPSO-7-2	7	2	.035	2.8
G21371	GPSO-7-3	7	3	.035	2.8
G21373	GPSO-7-4	7	4	.035	2.8
G21374	GPSO-7-5	7	5	.035	2.8
G21376	GPSO-7-6	7	6	.035	2.8
G21377	GPSO-7-7	7	7	.035	2.8
G27166	GPSO-7-8	7	8	.035	2.8
G21379	GPSO-7-9	7	9	.035	2.8
G21506	GPSO-7-10	7	10	.035	2.8
G22466	GPSO-7-11	7	11	.035	2.8
G21507	GPSO-7-12	7	12	.035	2.8
G27164	GPSO-7-13	7	13	.035	2.8

See page 99 for introducer components, sold separately.

All wire guides are sold separately.

Continued on page 126

Biliary/Pancreatic - Plastic Stents

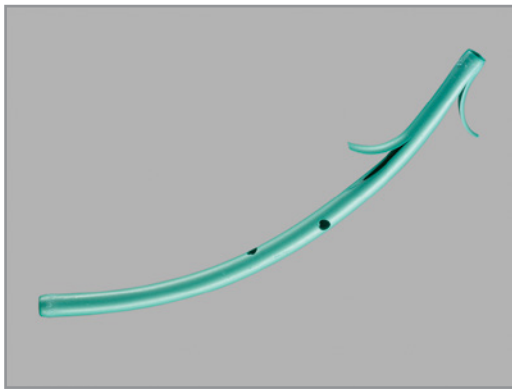
Geenen® Pancreatic Stent only

Continued from page 125

Order Number	Reference Part Number	Stent Size Fr	Stent Length cm	Wire Guide Diameter inch	Minimum Accessory Channel mm
G27165	GPSO-7-14	7	14	.035	2.8
G21509	GPSO-7-15	7	15	.035	2.8
G22984	GPSO-7-18	7	18	.035	2.8
G22985	GPSO-7-20	7	20	.035	2.8
G22314	GPSO-8.5-3	8.5	3	.035	3.2
G22315	GPSO-8.5-5	8.5	5	.035	3.2
G22316	GPSO-8.5-7	8.5	7	.035	3.2
G22317	GPSO-8.5-9	8.5	9	.035	3.2
G22318	GPSO-8.5-12	8.5	12	.035	3.2
G22986	GPSO-8.5-15	8.5	15	.035	3.2
G22465	GPSO-10-2	10	2	.035	3.7
G22319	GPSO-10-3	10	3	.035	3.7
G22275	GPSO-10-5	10	5	.035	3.7
G22320	GPSO-10-7	10	7	.035	3.7
G22322	GPSO-10-9	10	9	.035	3.7
G22321	GPSO-10-10	10	10	.035	3.7
G22323	GPSO-10-12	10	12	.035	3.7
G22987	GPSO-10-15	10	15	.035	3.7
G22464	GPSO-11.5-3	11.5	3	.035	4.2
G22389	GPSO-11.5-5	11.5	5	.035	4.2
G22463	GPSO-11.5-7	11.5	7	.035	4.2
G22462	GPSO-11.5-9	11.5	9	.035	4.2
G24541	GPSO-11.5-15	11.5	15	.035	4.2

See page 99 for introducer components, sold separately.

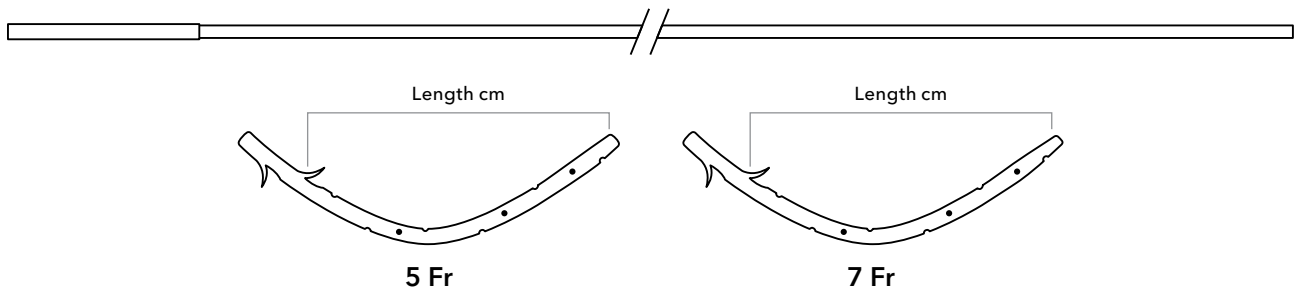
All wire guides are sold separately.



Geenen® Pancreatic Stent Sets with No Internal Flap

Used to drain obstructed pancreatic ducts.

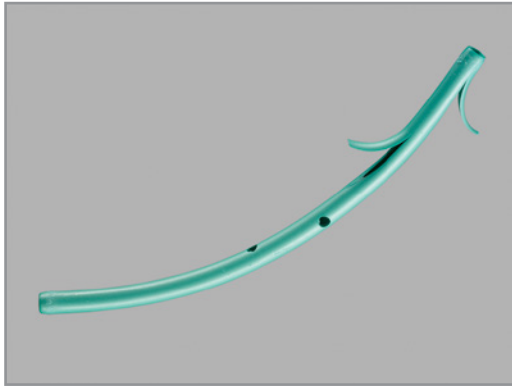
- Smooth cannulation eased by tapered tip
- Proper positioning facilitated by contoured shape
- Drainage enhanced by side holes
- Minimizes migration with offset flaps
- Pushability and softness delivered by the stent’s polyethylene material
- Simplify inventory management and enhance procedure efficiency with stent sets, which include pushing catheter



Order Number	Reference Part Number	Stent Size Fr	Stent Length cm	Pushing Catheter Length cm	Wire Guide Diameter inch	Minimum Accessory Channel mm
G22461	GPDS-5-2	5	2	170	.035	2
G21802	GPDS-5-3	5	3	170	.035	2
G21803	GPDS-5-5	5	5	170	.035	2
G21804	GPDS-5-7	5	7	170	.035	2
G21806	GPDS-5-9	5	9	170	.035	2
G21723	GPDS-5-12	5	12	170	.035	2
G21724	GPDS-5-15	5	15	170	.035	2
G21898	GPDS-7-3	7	3	170	.035	2.8
G21899	GPDS-7-5	7	5	170	.035	2.8
G21901	GPDS-7-7	7	7	170	.035	2.8
G21902	GPDS-7-9	7	9	170	.035	2.8
G21939	GPDS-7-12	7	12	170	.035	2.8

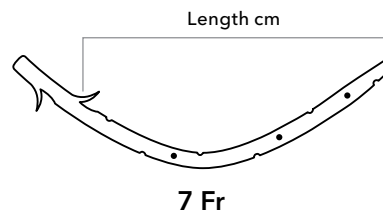
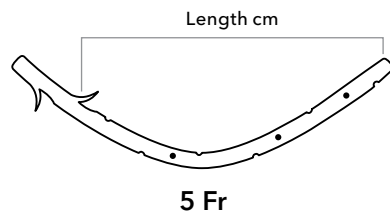
Set Includes: Stent and pushing catheter. Components sold separately.
All wire guides are sold separately.

Biliary/Pancreatic - Plastic Stents

**Geenen® Pancreatic Stent only with No Internal Flap**

Used to drain obstructed pancreatic ducts.

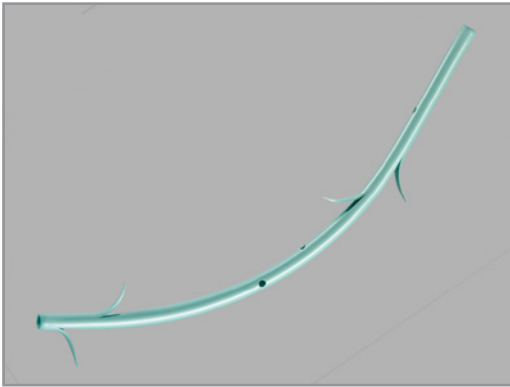
- Smooth cannulation eased by tapered tip
- Proper positioning facilitated by contoured shape
- Drainage enhanced by side holes
- Minimizes migration with offset flaps
- Pushability and softness delivered by the stent's polyethylene material
- Simplify inventory management and enhance procedure efficiency with stent sets, which include pushing catheter



Order Number	Reference Part Number	Stent Size Fr	Stent Length cm	Wire Guide Diameter inch	Minimum Accessory Channel mm
G22460	GPSOS-5-2	5	2	.035	2
G21513	GPSOS-5-3	5	3	.035	2
G21514	GPSOS-5-4	5	4	.035	2
G21515	GPSOS-5-5	5	5	.035	2
G21517	GPSOS-5-7	5	7	.035	2
G21519	GPSOS-5-9	5	9	.035	2
G21633	GPSOS-5-12	5	12	.035	2
G21636	GPSOS-5-15	5	15	.035	2
G22459	GPSOS-7-2	7	2	.035	2.8
G21592	GPSOS-7-3	7	3	.035	2.8
G21594	GPSOS-7-5	7	5	.035	2.8
G21595	GPSOS-7-7	7	7	.035	2.8
G21597	GPSOS-7-9	7	9	.035	2.8
G21856	GPSOS-7-10	7	10	.035	2.8
G21858	GPSOS-7-12	7	12	.035	2.8
G25073	GPSOS-7-15	7	15	.035	2.8

See page 99 for introducer components, sold separately.

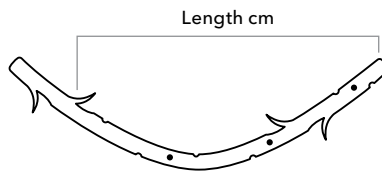
All wire guides are sold separately.



Geenen® Sof-Flex® Pancreatic Stent

Used to drain obstructed pancreatic ducts.

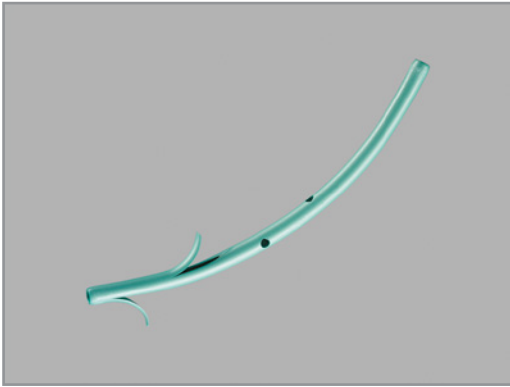
- Fluoroscopic visibility enhanced by Sof-Flex, a soft pliable radiopaque material
- Smooth cannulation eased by tapered tip
- Proper positioning facilitated by contoured shape
- Drainage enhanced by side holes
- Minimizes migration with offset flaps



Order Number	Reference Part Number	Stent Size Fr	Stent Length cm	Wire Guide Diameter inch	Minimum Accessory Channel mm
G49663	GPSO-SF-5-3	5	3	.035	2
G49664	GPSO-SF-5-5	5	5	.035	2
G49665	GPSO-SF-5-7	5	7	.035	2
G49666	GPSO-SF-5-9	5	9	.035	2
G49667	GPSO-SF-5-12	5	12	.035	2

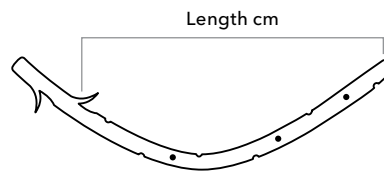
See page 99 for introducer components, sold separately.
 All wire guides are sold separately.

Biliary/Pancreatic - Plastic Stents

**Geenen® Sof-Flex® Pancreatic Stent with No Internal Flap**

Used to drain obstructed pancreatic ducts.

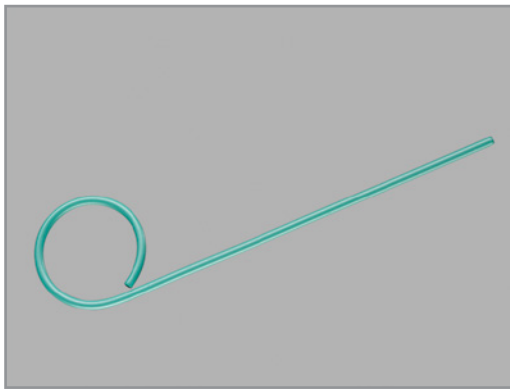
- Fluoroscopic visibility enhanced by Sof-Flex, a soft pliable radiopaque material
- Smooth cannulation eased by tapered tip
- Proper positioning facilitated by contoured shape
- Drainage enhanced by side holes
- Minimizes migration with offset flaps



Order Number	Reference Part Number	Stent Size Fr	Stent Length cm	Wire Guide Diameter inch	Minimum Accessory Channel mm
G49668	GPSOS-SF-5-3	5	3	.035	2
G49669	GPSOS-SF-5-5	5	5	.035	2
G49670	GPSOS-SF-5-7	5	7	.035	2
G49671	GPSOS-SF-5-9	5	9	.035	2
G49672	GPSOS-SF-5-12	5	12	.035	2

See page 99 for introducer components, sold separately.

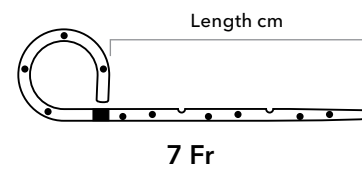
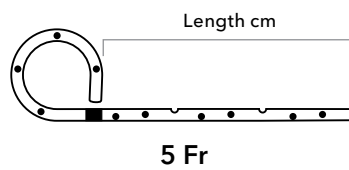
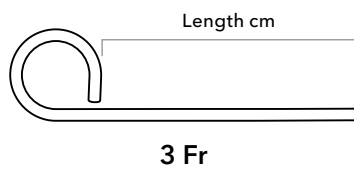
All wire guides are sold separately.



Zimmon® Pancreatic Stent with No Ductal Flap

Used to drain obstructed pancreatic ducts.

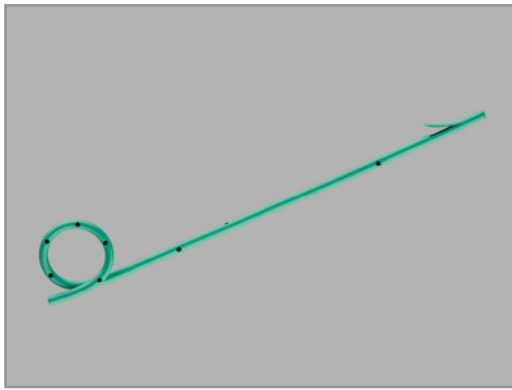
- Minimize migration with duodenal pigtail (and optional ductal flap)
- Drainage enhanced by side holes on select stents
- Smooth cannulation facilitated by tapered tip
- Positioning enhanced by radiopaque markers on select stents
- Pushability and softness delivered by polyethylene material
- Meet specific procedural needs—with a variety of French sizes



Order Number	Reference Part Number	Stent Size Fr	Stent Length cm	Wire Guide Diameter inch	Minimum Accessory Channel mm
G24566	SPSOS-3-4-N	3	4	.018	2
G24567	SPSOS-3-6-N	3	6	.018	2
G24568	SPSOS-3-8-N	3	8	.018	2
G24564	SPSOS-3-10-N	3	10	.018	2
G24565	SPSOS-3-12-N	3	12	.018	2
G26847	SPSOS-3-18-N	3	18	.018	2
G24570	SPSOS-5-3	5	3	.035	2
G24574	SPSOS-5-5	5	5	.035	2
G24578	SPSOS-5-7	5	7	.035	2
G24587	SPSOS-7-3	7	3	.035	2.8
G24588	SPSOS-7-5	7	5	.035	2.8

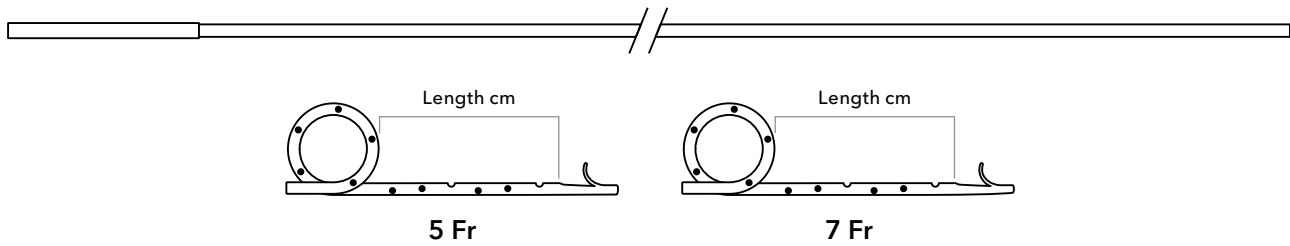
Introducer components sold separately.

Biliary/Pancreatic - Plastic Stents

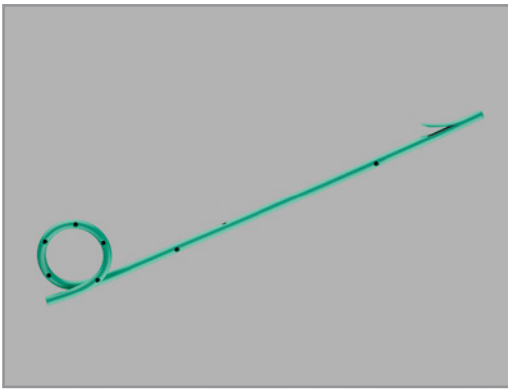
**Zimmon® Pancreatic Stent Sets**

Used to drain obstructed pancreatic ducts.

- Minimize migration with duodenal pigtail (and optional ductal flap)
- Drainage enhanced by side holes on select stents
- Smooth cannulation facilitated by tapered tip
- Positioning enhanced by radiopaque markers on select stents
- Pushability and softness delivered by polyethylene material
- Meet specific procedural needs—with a variety of French sizes



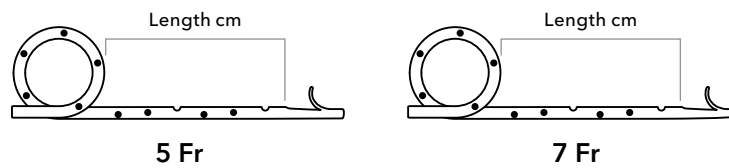
Order Number	Reference Part Number	Stent Size Fr	Stent Length cm	Wire Guide Diameter inch	Minimum Accessory Channel mm
G22162	ZEPDF-5-2	5	2	.035	2
G22165	ZEPDF-5-4	5	4	.035	2
G22444	ZEPDF-5-5	5	5	.035	2
G22169	ZEPDF-5-6	5	6	.035	2
G22171	ZEPDF-5-7	5	7	.035	2
G22173	ZEPDF-5-8	5	8	.035	2
G22445	ZEPDF-5-9	5	9	.035	2
G22115	ZEPDF-5-10	5	10	.035	2
G22116	ZEPDF-5-12	5	12	.035	2
G21425	ZEPDF-7-2	7	2	.035	2.8
G21426	ZEPDF-7-4	7	4	.035	2.8
G22446	ZEPDF-7-5	7	5	.035	2.8
G21427	ZEPDF-7-6	7	6	.035	2.8
G22447	ZEPDF-7-7	7	7	.035	2.8
G21428	ZEPDF-7-8	7	8	.035	2.8
G21429	ZEPDF-7-9	7	9	.035	2.8
G21522	ZEPDF-7-10	7	10	.035	2.8
G21524	ZEPDF-7-12	7	12	.035	2.8
G24563	ZEPDF-7-15	7	15	.035	2.8



Zimmon® Pancreatic Stent only

Used to drain obstructed pancreatic ducts.

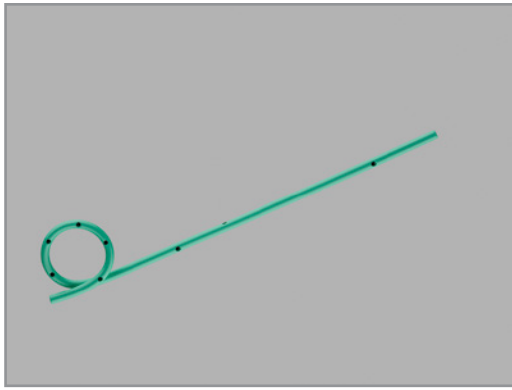
- Minimize migration with duodenal pigtail (and optional ductal flap)
- Drainage enhanced by side holes on select stents
- Smooth cannulation facilitated by tapered tip
- Positioning enhanced by radiopaque markers on select stents
- Pushability and softness delivered by polyethylene material
- Meet specific procedural needs—with a variety of French sizes



Order Number	Reference Part Number	Stent Size Fr	Stent Length cm	Wire Guide Diameter inch	Minimum Accessory Channel mm
G22071	ZPSOF-5-2	5	2	.035	2
G22375	ZPSOF-5-3	5	3	.035	2
G22073	ZPSOF-5-4	5	4	.035	2
G22448	ZPSOF-5-5	5	5	.035	2
G22075	ZPSOF-5-6	5	6	.035	2
G22076	ZPSOF-5-7	5	7	.035	2
G22077	ZPSOF-5-8	5	8	.035	2
G22449	ZPSOF-5-9	5	9	.035	2
G21827	ZPSOF-5-10	5	10	.035	2
G21828	ZPSOF-5-12	5	12	.035	2
G22450	ZPSOF-5-15	5	15	.035	2
G22184	ZPSOF-7-2	7	2	.035	2.8
G22186	ZPSOF-7-4	7	4	.035	2.8
G22187	ZPSOF-7-6	7	6	.035	2.8
G22451	ZPSOF-7-7	7	7	.035	2.8
G22188	ZPSOF-7-8	7	8	.035	2.8
G22452	ZPSOF-7-9	7	9	.035	2.8
G22065	ZPSOF-7-10	7	10	.035	2.8
G22068	ZPSOF-7-12	7	12	.035	2.8
G22435	ZPSOF-7-15	7	15	.035	2.8

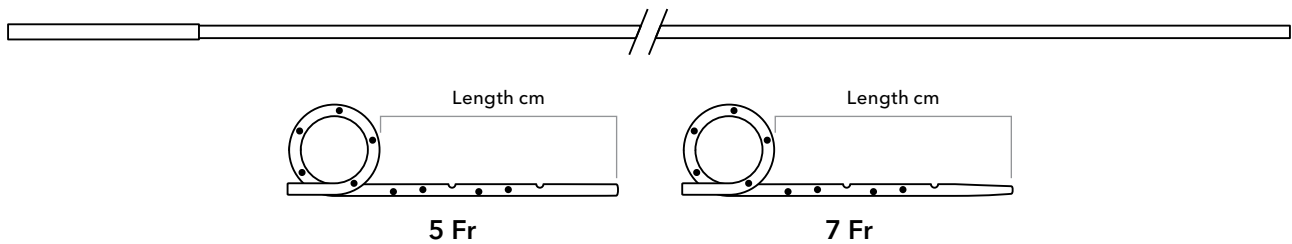
Introducer components sold separately.

Biliary/Pancreatic - Plastic Stents

**Zimmon® Pancreatic Stent Sets**

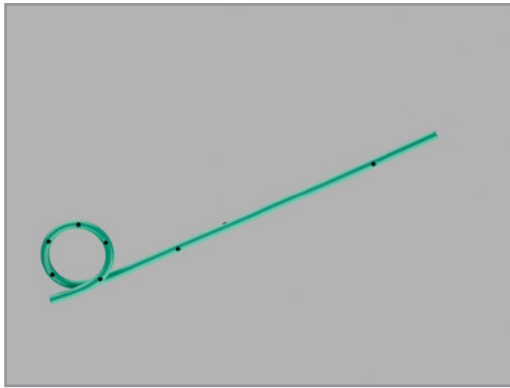
Used to drain obstructed pancreatic ducts.

- Minimize migration with duodenal pigtail (and optional ductal flap)
- Drainage enhanced by side holes on select stents
- Smooth cannulation facilitated by tapered tip
- Positioning enhanced by radiopaque markers on select stents
- Pushability and softness delivered by polyethylene material
- Meet specific procedural needs—with a variety of French sizes



Order Number	Reference Part Number	Stent Size Fr	Stent Length cm	Wire Guide Diameter inch	Minimum Accessory Channel mm
G21920	ZEPDS-5-2	5	2	.035	2
G21923	ZEPDS-5-4	5	4	.035	2
G21924	ZEPDS-5-6	5	6	.035	2
G21926	ZEPDS-5-8	5	8	.035	2
G21689	ZEPDS-5-10	5	10	.035	2
G21691	ZEPDS-5-12	5	12	.035	2
G22041	ZEPDS-7-4	7	4	.035	2.8
G22042	ZEPDS-7-6	7	6	.035	2.8
G22045	ZEPDS-7-8	7	8	.035	2.8
G21893	ZEPDS-7-10	7	10	.035	2.8
G21895	ZEPDS-7-12	7	12	.035	2.8

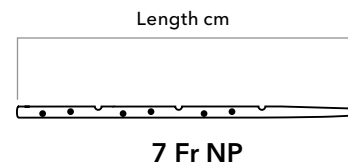
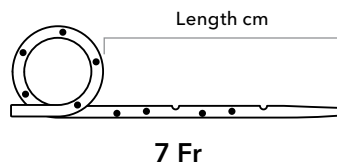
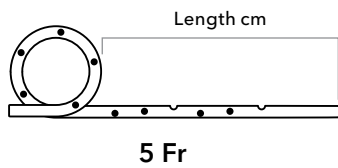
Introducer components sold separately.



Zimmon® Pancreatic Stent only

Used to drain obstructed pancreatic ducts.

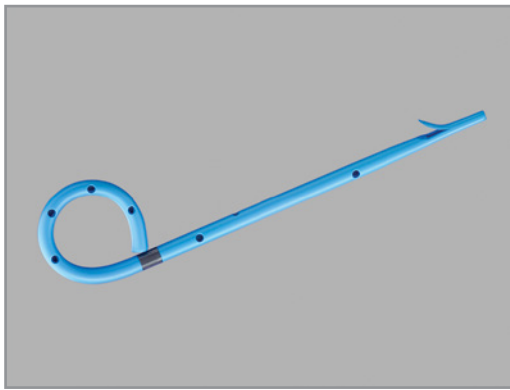
- Minimize migration with duodenal pigtail (and optional ductal flap)
- Drainage enhanced by side holes on select stents
- Smooth cannulation facilitated by tapered tip
- Positioning enhanced by radiopaque markers on select stents
- Pushability and softness delivered by polyethylene material
- Meet specific procedural needs—with a variety of French sizes



Order Number	Reference Part Number	Stent Size Fr	Stent Length cm	Wire Guide Diameter inch	Minimum Accessory Channel mm
G22453	ZPSOS-5-3	5	3	.035	2
G22457	ZPSOS-5-5	5	5	.035	2
G21849	ZPSOS-5-7	5	7	.035	2
G22458	ZPSOS-5-9	5	9	.035	2
G21419	ZPSOS-5-12	5	12	.035	2
G21953	ZPSOS-7-4	7	4	.035	2.8
G21955	ZPSOS-7-6	7	6	.035	2.8
G21956	ZPSOS-7-8	7	8	.035	2.8
G21638	ZPSOS-7-10	7	10	.035	2.8
G21642	ZPSOS-7-12	7	12	.035	2.8
G24610	ZPSOS-7-25-NP	7	25	.035	2.8

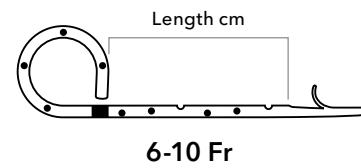
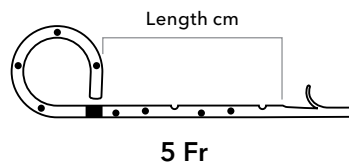
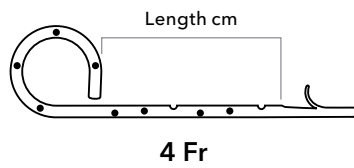
Introducer components sold separately.

Biliary/Pancreatic - Plastic Stents

**Zimmon® Pancreatic Stent**

Used to drain obstructed pancreatic ducts.

- Minimize migration with duodenal pigtail (and optional ductal flap)
- Drainage enhanced by side holes on select stents
- Smooth cannulation facilitated by tapered tip
- Positioning enhanced by radiopaque markers on select stents
- Pushability and softness delivered by polyethylene material
- Meet specific procedural needs—with a variety of French sizes



Order Number	Reference Part Number	Stent Size Fr	Stent Length cm	Wire Guide Diameter inch	Minimum Accessory Channel mm
G24571	SPSOF-4-2	4	2	.021	2
G24575	SPSOF-4-4	4	4	.021	2
G24579	SPSOF-4-6	4	6	.021	2
G24582	SPSOF-4-8	4	8	.021	2
G24569	SPSOF-4-10	4	10	.021	2
G50281	SPSOF-4-12	4	12	.021	2
G50282	SPSOF-4-15	4	15	.021	2
G26839	SPSOF-4-18	4	18	.021	2
G22357	SPSOF-5-2	5	2	.035	2
G22376	SPSOF-5-2.5	5	2.5	.035	2
G22979	SPSOF-5-3	5	3	.035	2
G22358	SPSOF-5-4	5	4	.035	2
G22980	SPSOF-5-5	5	5	.035	2
G22359	SPSOF-5-6	5	6	.035	2
G22360	SPSOF-5-7	5	7	.035	2
G22361	SPSOF-5-8	5	8	.035	2
G22981	SPSOF-5-9	5	9	.035	2
G22362	SPSOF-5-10	5	10	.035	2
G27194	SPSOF-5-11	5	11	.035	2
G22363	SPSOF-5-12	5	12	.035	2

See page 99 for introducer components, sold separately.

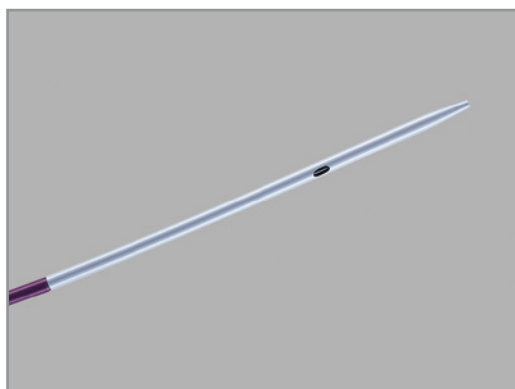
Continued on page 137

Zimmon® Pancreatic Stent

Continued from page 136

Order Number	Reference Part Number	Stent Size Fr	Stent Length cm	Wire Guide Diameter inch	Minimum Accessory Channel mm
G22978	SPSOF-5-15	5	15	.035	2
G22364	SPSOF-6-2	6	2	.035	2.8
G22377	SPSOF-6-2.5	6	2.5	.035	2.8
G22365	SPSOF-6-4	6	4	.035	2.8
G22366	SPSOF-6-6	6	6	.035	2.8
G22367	SPSOF-6-8	6	8	.035	2.8
G22368	SPSOF-6-10	6	10	.035	2.8
G22369	SPSOF-6-12	6	12	.035	2.8
G24584	SPSOF-6-15	6	15	.035	2.8
G22350	SPSOF-7-2	7	2	.035	2.8
G22378	SPSOF-7-2.5	7	2.5	.035	2.8
G22454	SPSOF-7-3	7	3	.035	2.8
G22351	SPSOF-7-4	7	4	.035	2.8
G22455	SPSOF-7-5	7	5	.035	2.8
G22352	SPSOF-7-6	7	6	.035	2.8
G22353	SPSOF-7-7	7	7	.035	2.8
G22354	SPSOF-7-8	7	8	.035	2.8
G22456	SPSOF-7-9	7	9	.035	2.8
G22355	SPSOF-7-10	7	10	.035	2.8
G27195	SPSOF-7-11	7	11	.035	2.8
G22356	SPSOF-7-12	7	12	.035	2.8
G22983	SPSOF-7-15	7	15	.035	2.8
G24586	SPSOF-7-18	7	18	.035	2.8
G24590	SPSOF-8.5-7	8.5	7	.035	3.2
G24593	SPSOF-8.5-10	8.5	10	.035	3.2
G24594	SPSOF-8.5-12	8.5	12	.035	3.2
G22975	SPSOF-10-3	10	3	.035	3.7
G22976	SPSOF-10-4	10	4	.035	3.7
G24589	SPSOF-10-5	10	5	.035	3.7
G22977	SPSOF-10-6	10	6	.035	3.7
G24591	SPSOF-10-7	10	7	.035	3.7
G24707	SPSOF-10-8	10	8	.035	3.7
G22982	SPSOF-10-10	10	10	.035	3.7
G24592	SPSOF-10-12	10	12	.035	3.7
G24585	SPSOF-10-15	10	15	.035	3.7

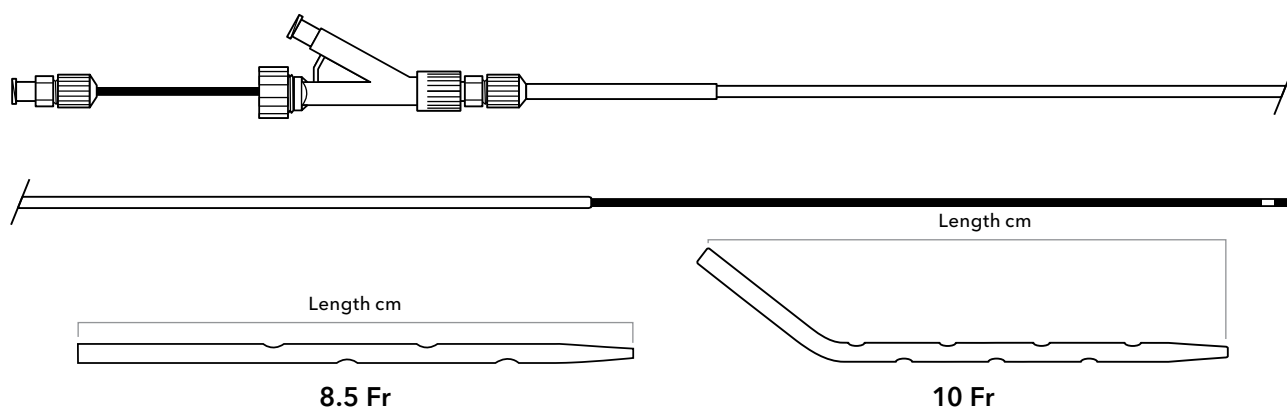
See page 99 for introducer components, sold separately.



Johlin™ Pancreatic Wedge Stent

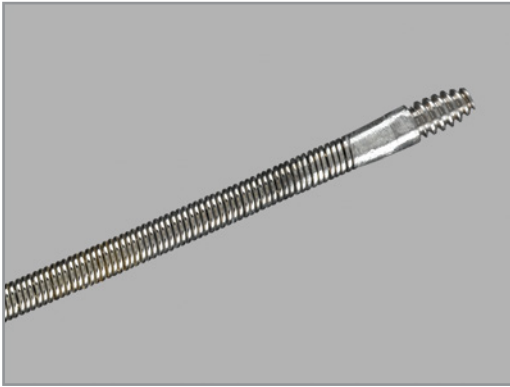
Used to drain obstructed pancreatic ducts.

- Eases entrance into duct and minimizes stent migration with wedge-shaped distal end
- Fluoroscopic visibility enhanced by Sof-Flex, a soft pliable radiopaque material
- Allows drainage of the lateral branches of the pancreatic duct through drainage holes
- Includes Wedge Stent Introducer, designed specifically for the Johlin Stent



Order Number	Reference Part Number	Stent Size Fr	Stent Length cm	Wire Guide Diameter inch	Minimum Accessory Channel mm
G25694	JPWS-8.5-8	8.5	8	.035	3.2
G25695	JPWS-8.5-10	8.5	10	.035	3.2
G25693	JPWS-8.5-12	8.5	12	.035	3.2
G25691	JPWS-8.5-14	8.5	14	.035	3.2
G25690	JPWS-8.5-16	8.5	16	.035	3.2
G26830	JPWS-8.5-18	8.5	18	.035	3.2
G26831	JPWS-8.5-20	8.5	20	.035	3.2
G26832	JPWS-8.5-22	8.5	22	.035	3.2
G25713	JPWS-10-8	10	8	.035	3.7
G25714	JPWS-10-10	10	10	.035	3.7
G25715	JPWS-10-12	10	12	.035	3.7
G25716	JPWS-10-14	10	14	.035	3.7
G25717	JPWS-10-16	10	16	.035	3.7
G26825	JPWS-10-18	10	18	.035	3.7
G26827	JPWS-10-20	10	20	.035	3.7
G26828	JPWS-10-22	10	22	.035	3.7

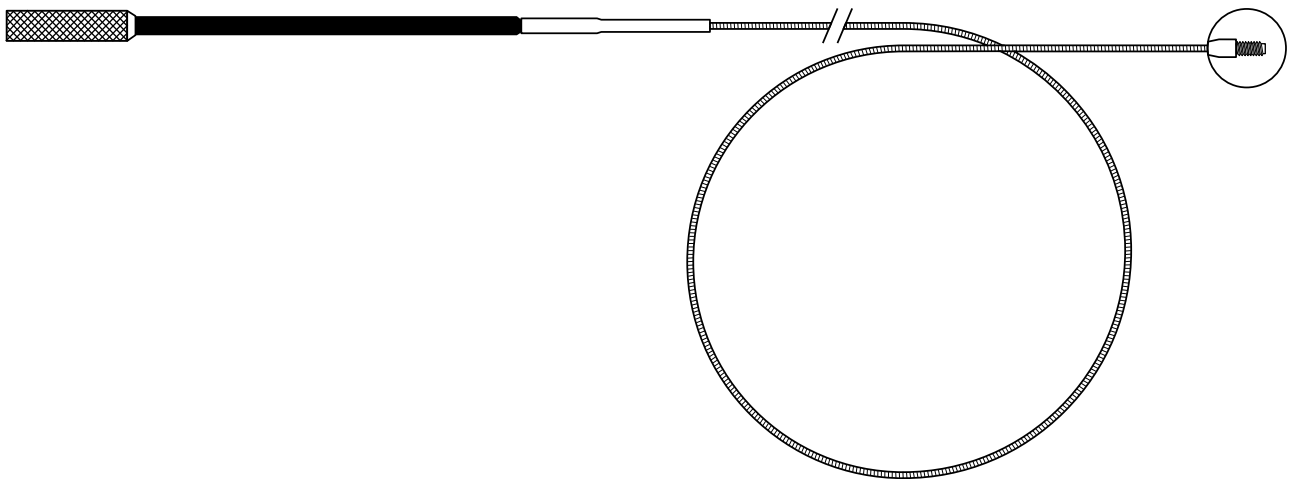
Includes Wedge Stent Introducer, designed specifically for the Johlin Stent.



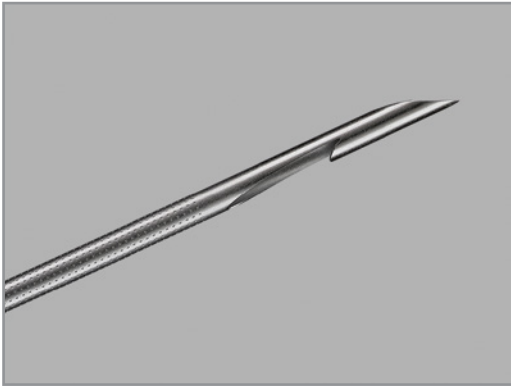
Soehendra® Stent Retriever

Used to endoscopically remove stents from the biliary and pancreatic ducts while maintaining wire guide placement.

- Tapered screw type distal tip
- Torquable cable



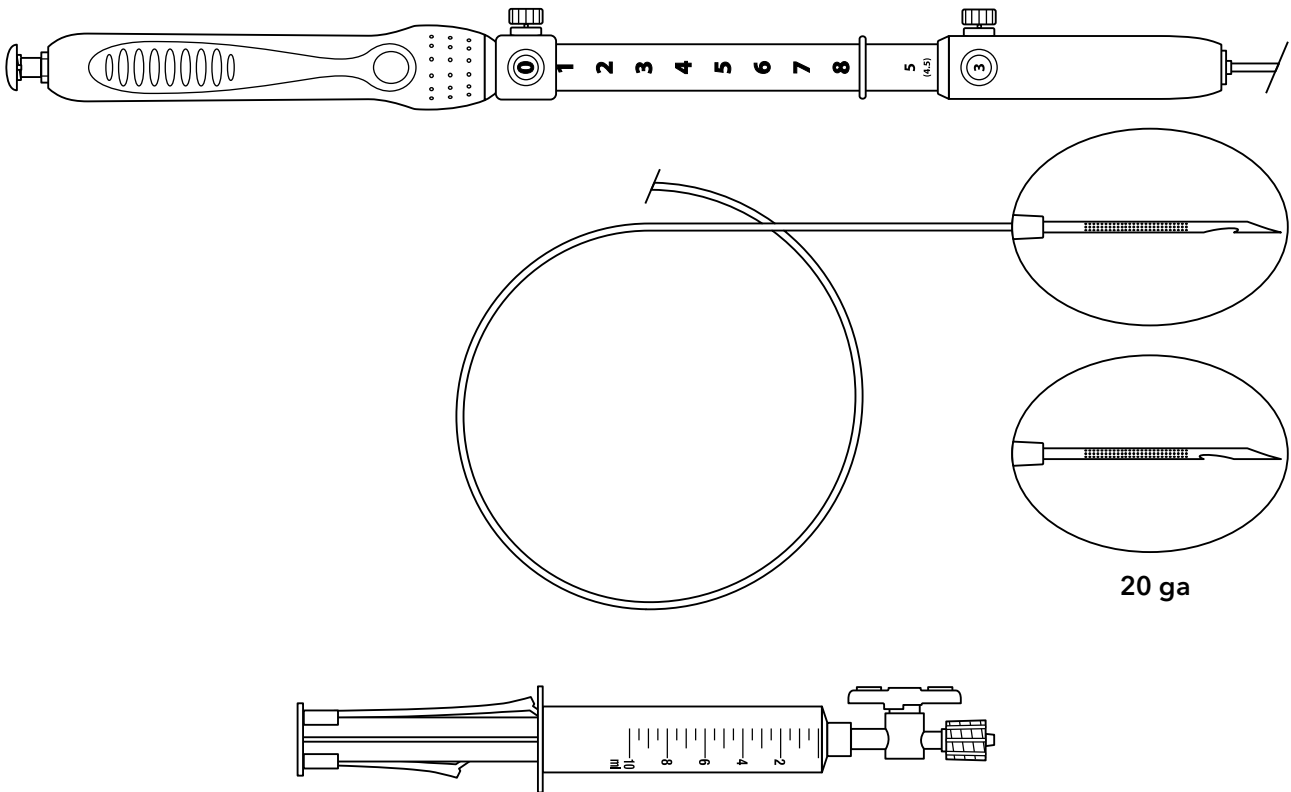
Order Number	Reference Part Number	Retrieved Stent Size Fr	Stent Retriever Length cm	Wire Guide Diameter inch	Minimum Accessory Channel mm
G21934	SSR-5	5	180	.021	2.8
G21937	SSR-7	7	180	.035	2.8
G21661	SSR-8.5	8.5	180	.035	3.2
G22205	SSR-10	10	180	.035	3.7
G21535	SSR-11.5	11.5	180	.035	4.2



EchoTip ProCore® HD Ultrasound Biopsy Needle

Used with an ultrasound endoscope for fine needle biopsy (FNB) of submucosal lesions, mediastinal masses, lymph nodes and intraperitoneal masses within or adjacent to the gastrointestinal tract.

- Specially designed needle-tip to increase sampling yield and promote collection of histological core samples
- High-definition dimpling pattern provides exceptional needle visibility
- Naturally contoured handle delivers precise needle control and stability
- Safety lock ring easily slides and locks at the desired extension
- “Zero” reference mark ensures complete needle retraction within the sheath
- Integrated sheath adjuster offers compatibility with a full range of ultrasound endoscopes

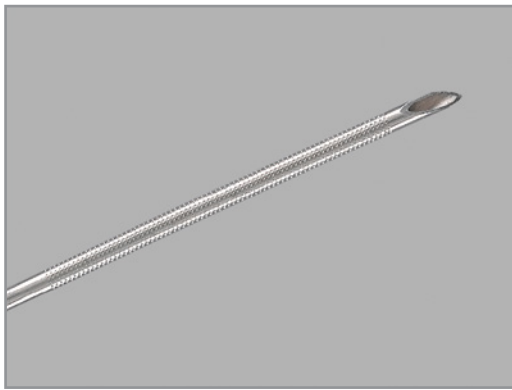


20 ga

Order Number	Reference Part Number	Needle Size gage	Sheath Size Fr	Adjustable Needle Extension cm	Stylet Tip	Minimum Accessory Channel mm
G53585	ECHO-HD-19-C	19	4.8	0-8	recessed ball tip	2
G34785	ECHO-HD-3-20-C*	20	8	0-8	recessed ball tip	3.7
G55736	ECHO-HD-22-C	22	5.2	0-8	recessed ball tip	2
G55738	ECHO-HD-25-C	25	5.2	0-8	beveled	2

*Pending 510(k), check for availability.

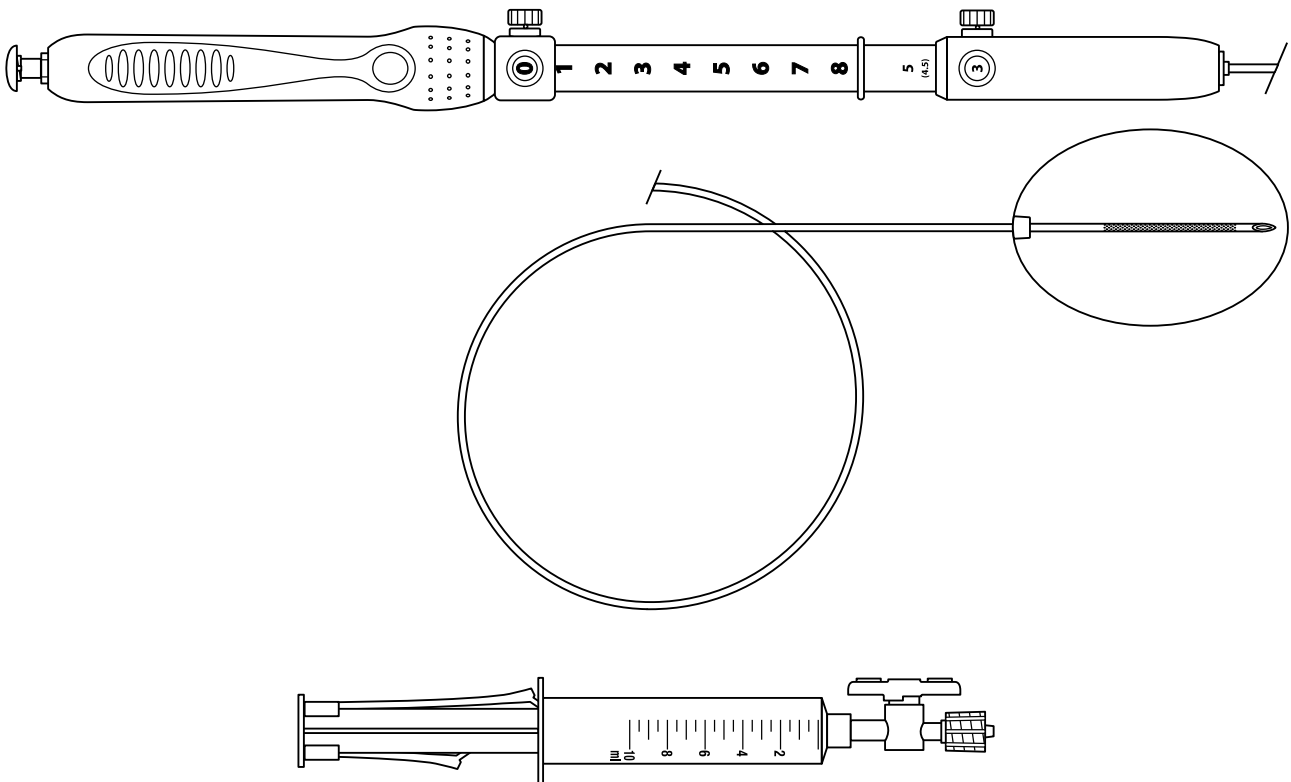
Endoscopic Ultrasound - Needles



EchoTip® Ultra HD Endoscopic Ultrasound Needle

Used to sample targeted submucosal gastrointestinal lesions through the accessory channel of an ultrasound endoscope.

- Highly echogenic needle allows you to more adequately assure the needle tip is within the target, which may improve cytology yields
- High-definition dimpling pattern provides exceptional needle visibility
- Naturally contoured handle offers needle control and stability
- Safety lock ring easily slides and locks at the desired extension
- “Zero” reference mark ensures complete needle retraction within the sheath
- Integrated sheath adjuster offers compatibility with a full range of ultrasound endoscopes



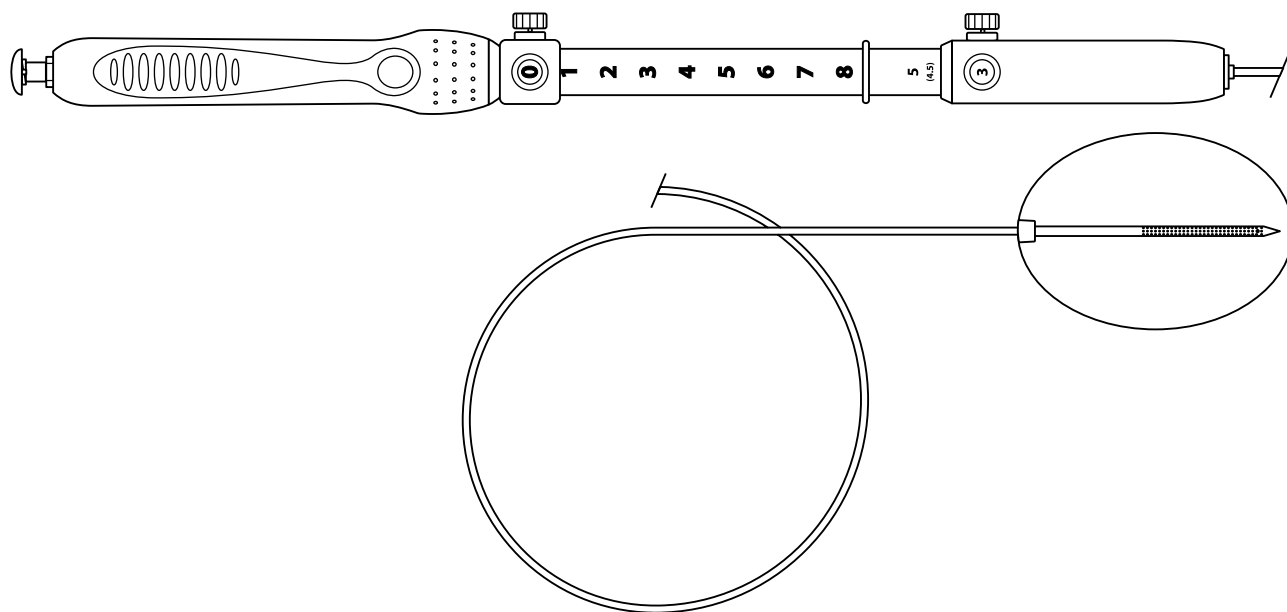
Order Number	Reference Part Number	Needle Size gage	Sheath Size Fr	Adjustable Needle Extension cm	Stylet Tip	Minimum Accessory Channel mm
G31518	ECHO-1-22	22	5.2	0-8	ball tip	2
G31521	ECHO-3-22	22	5.2	0-8	ball tip	2
G31520	ECHO-19	19	5.2-4.2	0-8	ball tip	2
G31519	ECHO-25	25	5.2	0-8	ball tip	2



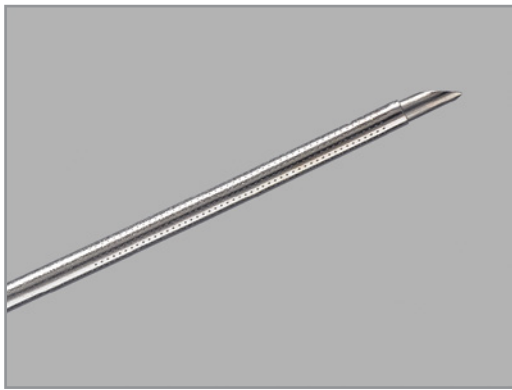
EchoTip® Ultra Celiac Plexus Neurolysis Needle

Used to deliver neurolysing agents to the Celiac Plexus under endoscopic ultrasound guidance.

- A uniform, radial spray of neurolysing agent may be introduced into the Celiac Plexus through the multiple side holes of the cone-tipped needle
- Naturally-contoured handle delivers enhanced control and stability
- Safety lock ring easily slides and locks at the desired needle extension
- Integrated sheath adjuster offers compatibility with a full range of ultrasound endoscopes



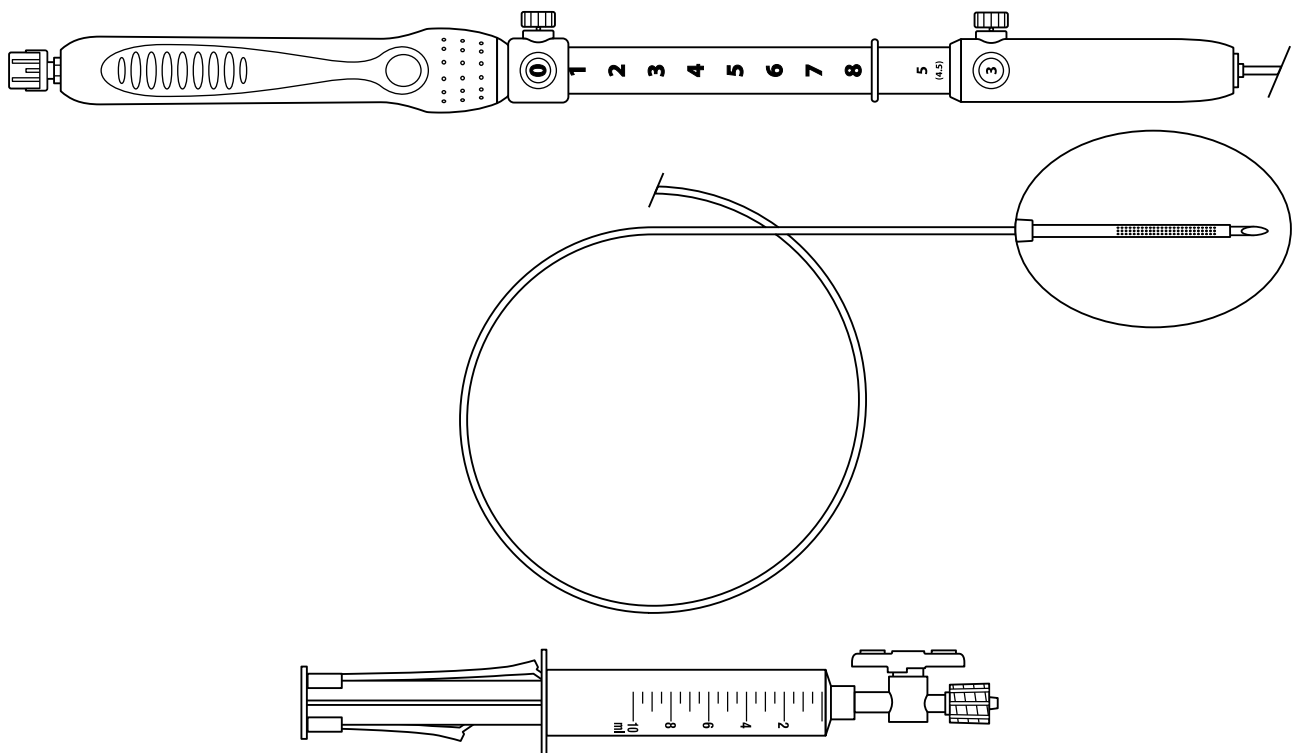
Order Number	Reference Part Number	Needle Size gage	Sheath Size Fr	Adjustable Needle Extension cm	Needle Tip	Minimum Accessory Channel mm
G49257	ECHO-20-CPN	20	6	0-8	cone tip with side holes	2.4



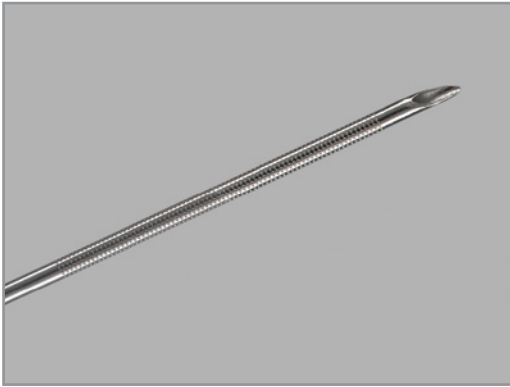
EchoTip® Ultra HD Ultrasound Access Needle

This device is used to access or sample submucosal and extramural lesions of the gastrointestinal tract, access of the following: the intra- or extra-hepatic bile ducts, pancreatic ducts, cystic duct, gallbladder or for delivery of injectable materials into tissues through the accessory channel of an ultrasound endoscope.

- High-definition dimpling pattern provides exceptional needle visibility
- Naturally contoured handle delivers precise needle control and stability
- Atraumatic needle tip designed to allow passage of a .035" wire guide to maintain access
- Beveled stylet used to puncture and gain access
- Stylet cap designed to maintain stylet position on puncture
- Integrated sheath adjuster offers compatibility with a full range of ultrasound endoscopes



Order Number	Reference Part Number	Needle Size gage	Sheath Size Fr	Adjustable Needle Extension cm	Stylet Tip	Minimum Accessory Channel mm
G52012	ECHO-HD-19-A	19	5.2-4.2	0-8	beveled	2

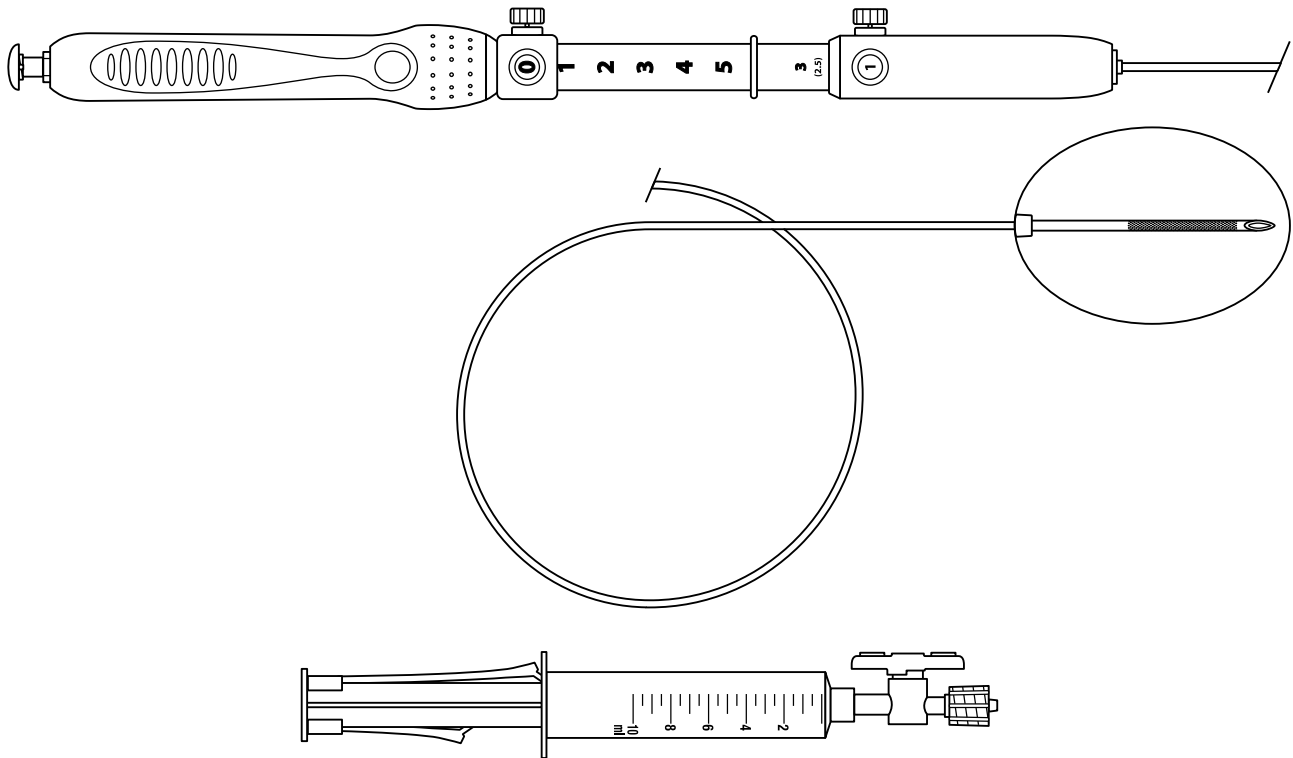


EchoTip® Ultra HD Endobronchial Ultrasound Needle

Olympus® - Used to sample targeted submucosal and extramural lesions within or adjacent to the tracheobronchial tree or gastrointestinal tract through the accessory channel of an ultrasound endoscope for Fine Needle Aspiration.

Pentax® - Used to sample targeted submucosal and extramural lesions within or adjacent to the tracheobronchial tree through the accessory channel of an ultrasound endoscope for Fine Needle Aspiration.

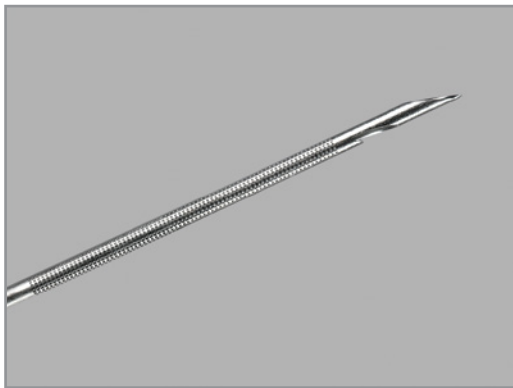
- High Definition dimpling pattern for exceptional needle visibility
- Naturally contoured handle offers needle control & stability
- On scopes with metal luer hubs, the removable sheath adjuster allows direct connection to the scope
- On scopes with metal non-luer hubs, the sturdy scope adaptor design allows:
 - secure connection and procedural stability
 - suction and injection capability due to the airtight valve
- Integrated sheath adjuster offers compatibility with a full range of ultrasound endoscopes



Order Number	Reference Part Number	Needle Size gage	Sheath Size Fr	Adjustable Needle Extension cm	Stylet Tip	Minimum Accessory Channel mm
G52011	ECHO-HD-22-EBUS-O*	22	4.1	0-5	beveled	2
G53408	ECHO-HD-22-EBUS-P**	22	4.1	0-5	beveled	2
G24062	ECHO-HD-25-EBUS-O*	25	4.1	0-5	beveled	2
G24061	ECHO-HD-25-EBUS-P**	25	4.1	0-5	beveled	2

*Needle attaches to scope adapter on Olympus Endobronchial Ultrasound scope with non-luer metal hub.

**Needle attaches to luer metal hub on Pentax Endobronchial Ultrasound scope.

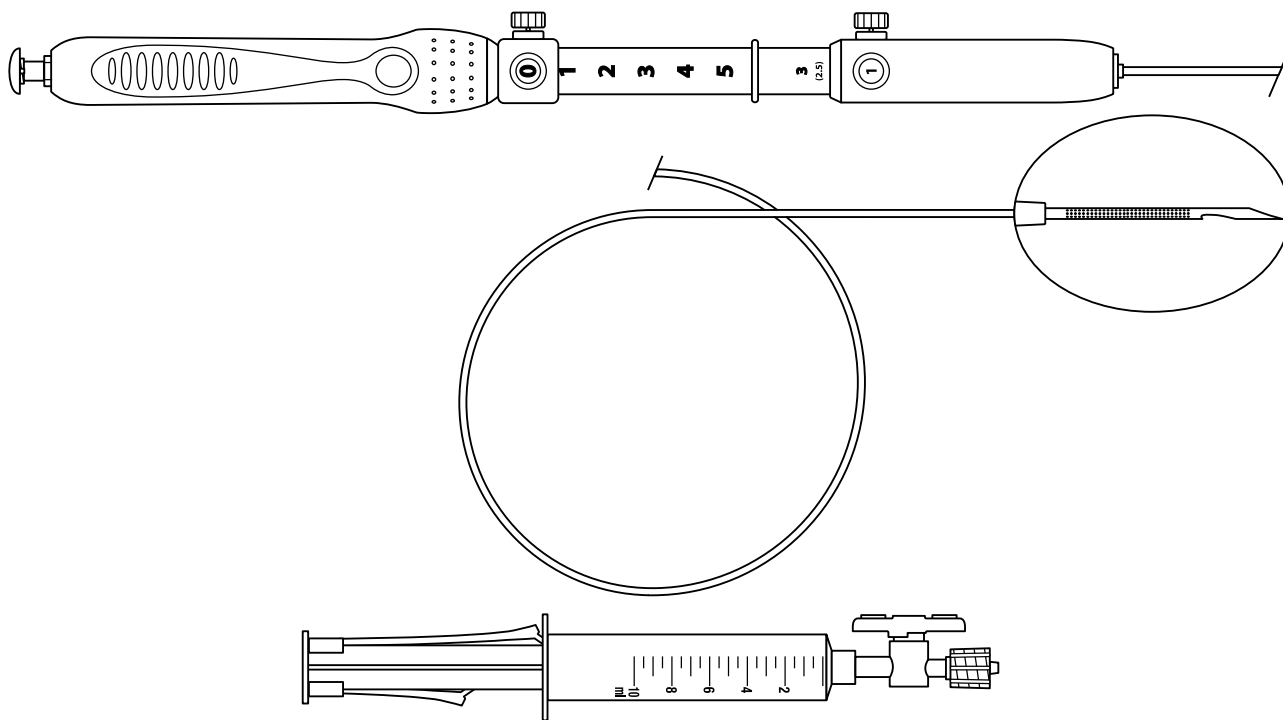


EchoTip ProCore® HD Endobronchial Ultrasound Biopsy Needle

Olympus - Used with an ultrasound endoscope for fine needle biopsy, (FNB), of submucosal and extramural lesions within or adjacent to the tracheobronchial tree or gastrointestinal tract.

Pentax - Used with an ultrasound endoscope for fine needle biopsy, (FNB), of submucosal and extramural lesions within or adjacent to the tracheobronchial tree.

- Specially designed needle-tip to increase sampling yield and promote collection of histological core samples
- High Definition dimpling pattern for exceptional needle visibility
- Naturally contoured handle offers needle control & stability
- On scopes with metal luer hubs, the removable sheath adjuster allows direct connection to the scope
- On scopes with metal non-luer hubs, the sturdy scope adaptor design allows:
 - secure connection and procedural stability
 - suction and injection capability due to the airtight valve
- Integrated sheath adjuster offers compatibility with a full range of ultrasound endoscopes



Order Number	Reference Part Number	Needle Size gage	Sheath Size Fr	Adjustable Needle Extension cm	Stylet Tip	Minimum Accessory Channel mm
G34281	ECHO-HD-22-EBUS-O-C*	22	4.1	0-5	recessed ball tip	2
G34279	ECHO-HD-22-EBUS-P-C**	22	4.1	0-5	recessed ball tip	2
G34282	ECHO-HD-25-EBUS-O-C*	25	4.1	0-5	beveled	2
G34280	ECHO-HD-25-EBUS-P-C**	25	4.1	0-5	beveled	2

*Needle attaches to scope adapter on Olympus Endobronchial Ultrasound scope with non-luer metal hub.

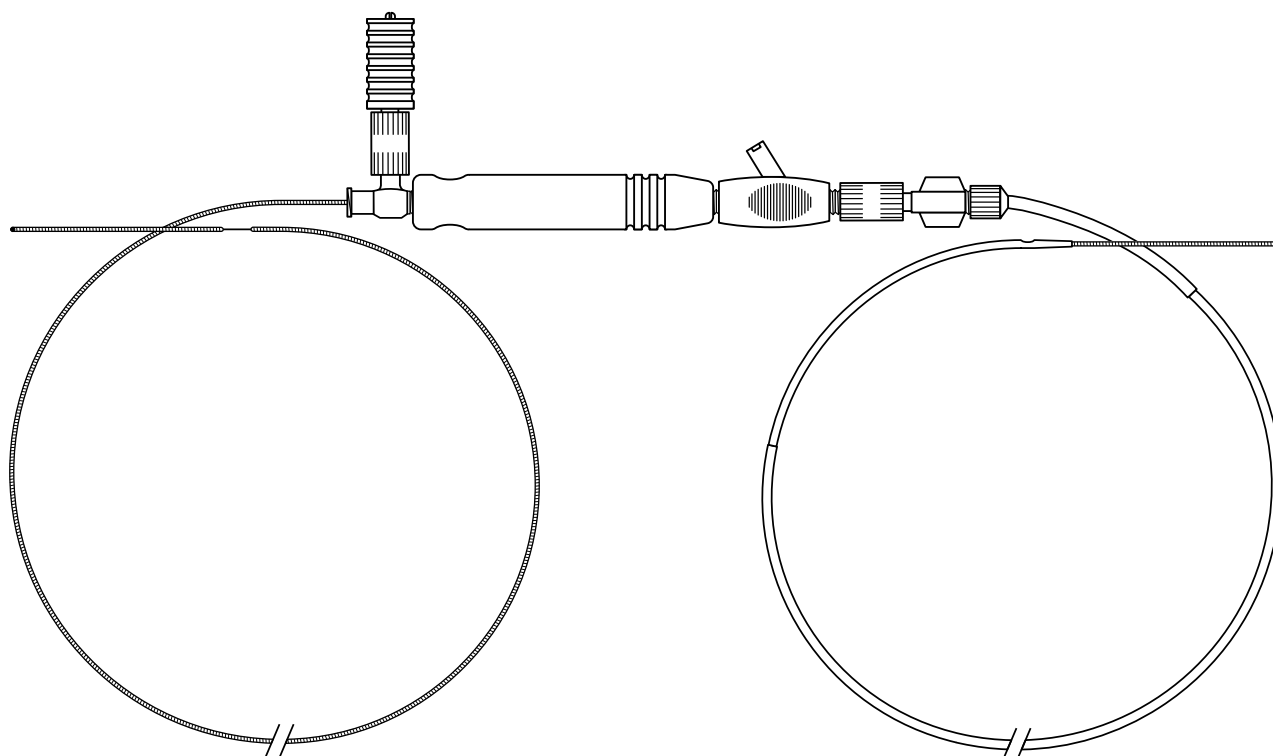
**Needle attaches to luer metal hub on Pentax Endobronchial Ultrasound scope.



Giovannini Needle Wire

Not for sale in the USA.

The Giovannini Needle Wire is designed to electrosurgically puncture through transgastric or transduodenal wall into pancreatic pseudocyst.



Order Number	Reference Part Number	Pushing Catheter Size Fr	Guiding Catheter Size Fr	Stent Size Fr	Stent Length cm	Stent Type	Wire Guide Diameter inch
G30675	NW-8.5	8.5	5.5	n/a	n/a	n/a	.035
G30677	NWOA-8.5	8.5	5.5	8.5	6	Pancreatic Psuedocyst Stent	.035
G30676	NWOA-10	9	5.5	10	6	ST-2 Tannenbaum	.035

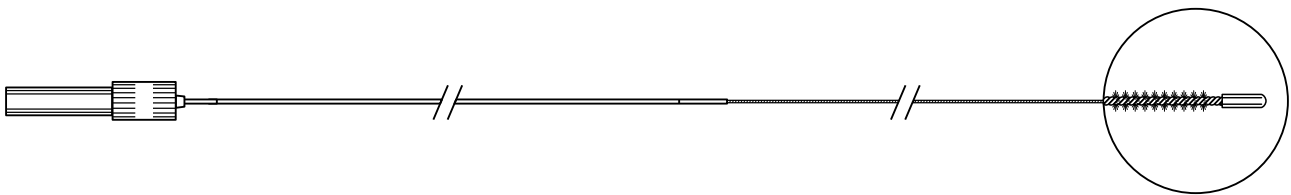
Note: The device should be used with a linear array EUS endoscope.

Endoscopic Ultrasound - Brush



EchoBrush™ Endoscopic Ultrasound Brush

Used to sample targeted submucosal gastrointestinal lesions through the accessory channel of an ultrasound endoscope.



Order Number	Reference Part Number	Brush Diameter mm	Brush Length mm	Shaft Length cm
G34038	ECHO-19-CB	1	5	172.5



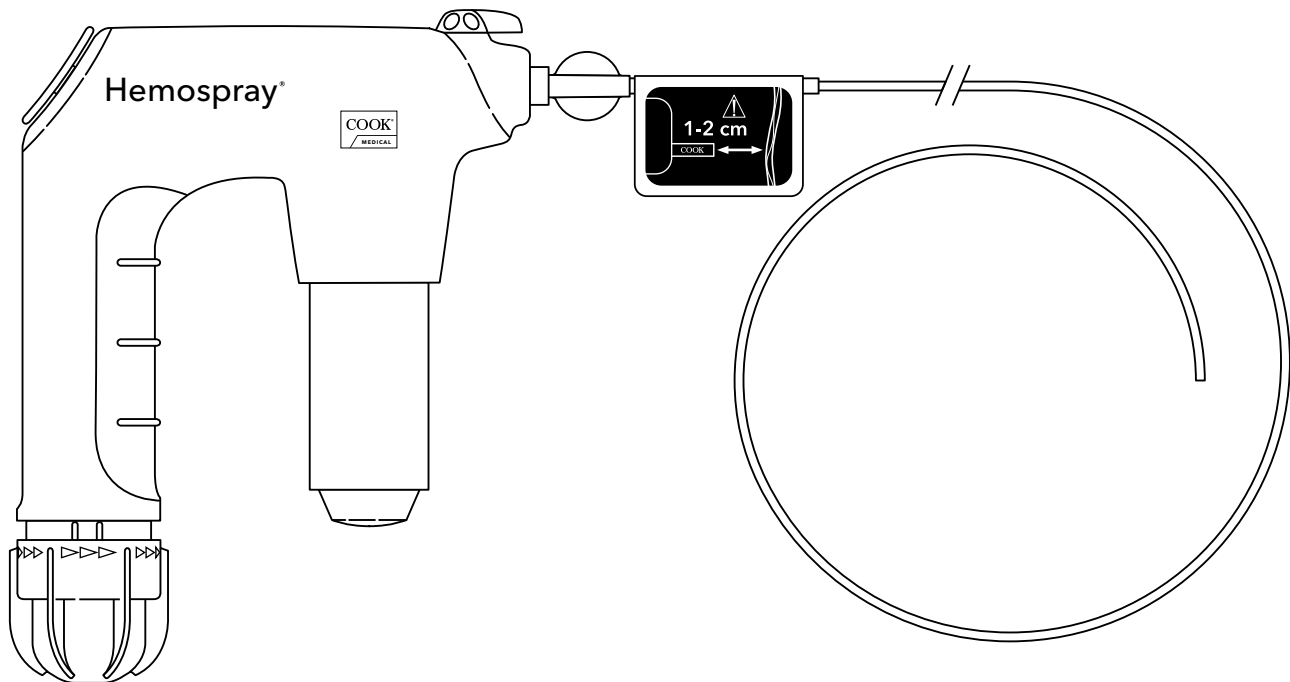
Hemospray® Endoscopic Hemostat

Not for sale in the USA.

Canada: Used for hemostasis of nonvariceal upper and lower gastrointestinal bleeding.

Europe: Used for hemostasis of nonvariceal upper gastrointestinal bleeding.

- **Nonthermal:** No tissue changes occur as sometimes experienced with thermal modalities
- **Nontraumatic:** Since no force is applied at the treatment site, the powder minimizes the risk of tissue trauma as experienced with other modalities
- **Noncontact:** Aerosol delivery system eliminates the need for direct mechanical or contact forces with the treatment site
- **Nonspecific targeting:** Powder is sprayed toward the source of the bleed, so it does not require the en face approach and accuracy needed for conventional modalities



Order Number	Reference Part Number	Catheter Size Fr	Catheter Length cm	Minimum Accessory Channel mm
G56572	HEMO-7*	7	220	2.8
G21049	HEMO-10*	10	220	3.7
G24663	HEMO-7-EU	7	220	2.8
G21346	HEMO-10-EU	10	220	3.7

Device comes preassembled and each package contains an extra catheter.

No additional materials required for usage.


*Check for availability.

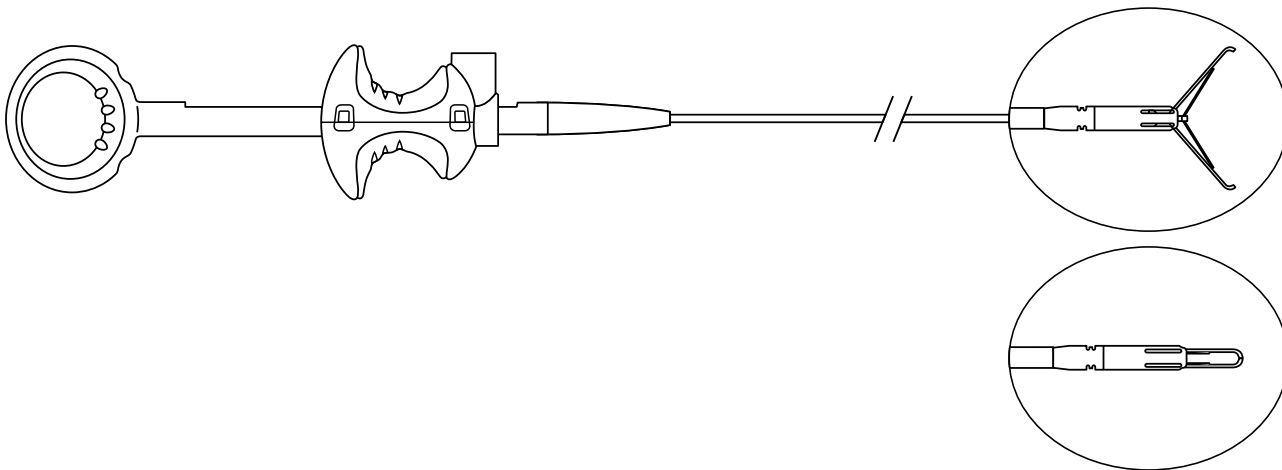
Hemostasis - Clips



Instinct™ Endoscopic Hemoclip

This device is used for endoscopic clip placement within the gastrointestinal tract for the purpose of endoscopic marking, hemostasis for mucosal/submucosal defects less than 3 cm in the upper GI tract, bleeding ulcers, arteries less than 2 mm, and polyps less than 1.5 cm in diameter in the GI tract. This device is not intended for the repair of GI tract luminal perforations.

- Wide adjustable 16 mm opening span facilitates grasping variable amounts of tissue as desired
- 360° bidirectional jaw rotation provides complete control for precise clip placement
- Instinctive handle and clip design with a simple one-step clip detachment
- Opens and closes up to five times for optimal clip positioning
- Anchoring clip tips for secure tissue grasping
- MR Conditional per ASTM F2503 



Order Number	Reference Part Number	Clip Opening mm	Catheter Size Fr	Catheter Length cm	Box Quantity	Minimum Accessory Channel mm
G18343	INSC-7-230-S*	16	7	230	10	2.8
G18344	INSC-7-230-20-S*	16	7	230	20	2.8

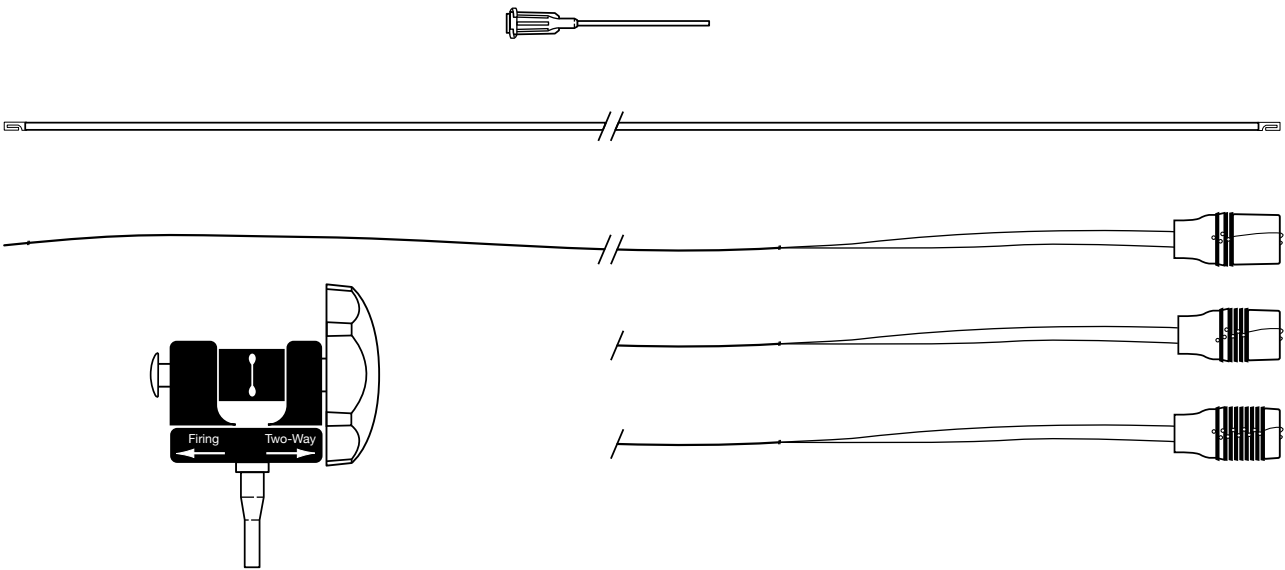
*Check for availability.



6 Shooter® Universal Saeed® Multi-Band Ligator

Used to endoscopically ligate esophageal varices at or above the gastroesophageal junction or to ligate internal hemorrhoids.

- Universal-fit barrels streamline ligation procedures and inventory control
- Opti-Vu® Barrel features two-string trigger cord and recessed bands - providing maximum endoscopic view while maintaining suction
- Clear band signals when only one band remains to be deployed
- Wide array of barrel sizes to meet a full range of procedural needs



Order Number	Reference Part Number	Endoscope Outer Diameter mm	Trigger Cord Length cm	Number of Bands	Minimum Accessory Channel mm
G31915	MBL-U-4	8.6-11.3	122	4	2.8
G31917	MBL-U-6	8.6-11.3	122	6	2.8
G31919	MBL-U-10	8.6-11.3	122	10	2.8
G31916	MBL-U-4-F	8.6-11.3	142	4	2.8
G31918	MBL-U-6-F	8.6-11.3	142	6	2.8
G31920	MBL-U-10-F	8.6-11.3	142	10	2.8

Each kit includes Opti-Vu barrel with ligation bands and trigger cord, loading catheter, precision control handle and irrigation adapter.

Note: -F options are for use with Fuji endoscopes.

Caution: This product contains natural rubber latex, which may cause allergic reactions.

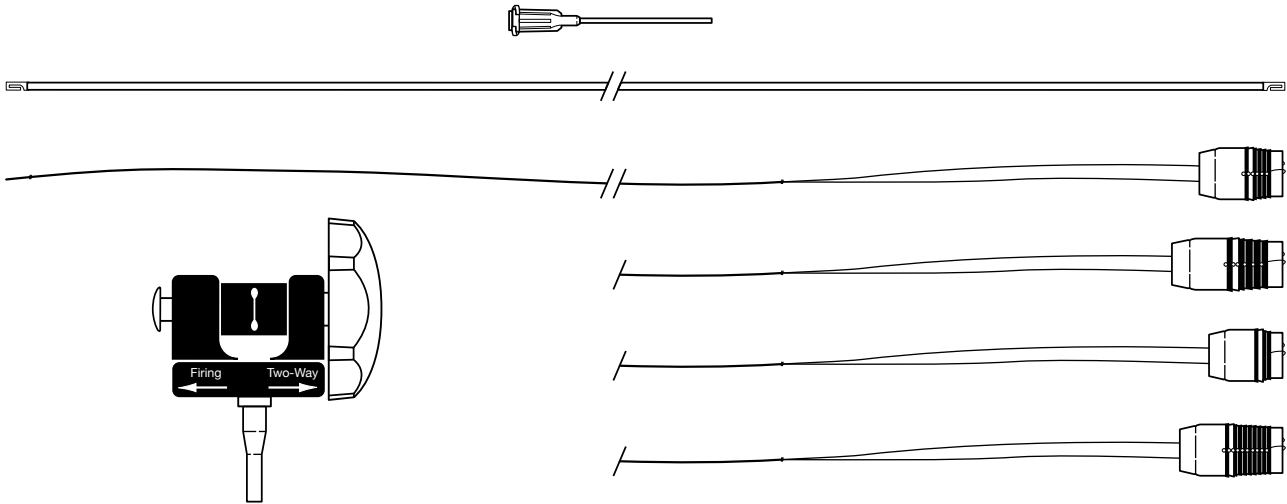
This device is supplied non-sterile.



6 Shooter® Saeed® Multi-Band Ligator

Used to endoscopically ligate esophageal varices at or above the gastroesophageal junction or to ligate internal hemorrhoids.

- Barrel features two-string trigger cord and recessed bands - providing maximum endoscopic view while maintaining suction
- Clear band signals when only one band remains to be deployed
- Wide array of barrel sizes to meet a full range of procedural needs



Order Number	Reference Part Number	Endoscope Outer Diameter mm	Trigger Cord Length cm	Number of Bands	Minimum Accessory Channel mm
G24654	MBL-6-OV	9.5-11.5	122	6	2.8
G25503	MBL-6-OV-XS	8.6-9.2	122	6	2.8
G22613	MBL-4	9.5-13	122	4	2.8
G22553	MBL-6	9.5-13	122	6	2.8
G22614	MBL-10	9.5-11.5	122	10	2.8
G25423	MBL-4-XS	8.6-9.2	122	4	2.8
G25424	MBL-6-XS	8.6-9.2	122	6	2.8
G25504	MBL-10-XS	8.6-9.2	122	10	2.8
G25119	MBL-6-XL	11-14	122	6	2.8
G25220	MBL-4-XL-C	11-14	190	4	2.8
G25221	MBL-6-XL-C	11-14	190	6	2.8
G22690	MBL-4-F	9.5-13	142	4	2.8
G22692	MBL-6-F	9.5-13	142	6	2.8
G22691	MBL-10-F	9.5-11.5	142	10	2.8
G24655	MBL-6-F-OV	9.5-13	142	6	2.8

Each kit includes barrel with ligation bands and trigger cord, loading catheter, precision control handle and irrigation adapter.

Note: -F options are for use with Fuji endoscopes. -C options are for use with colonoscopes.

Caution: This product contains natural rubber latex, which may cause allergic reactions.

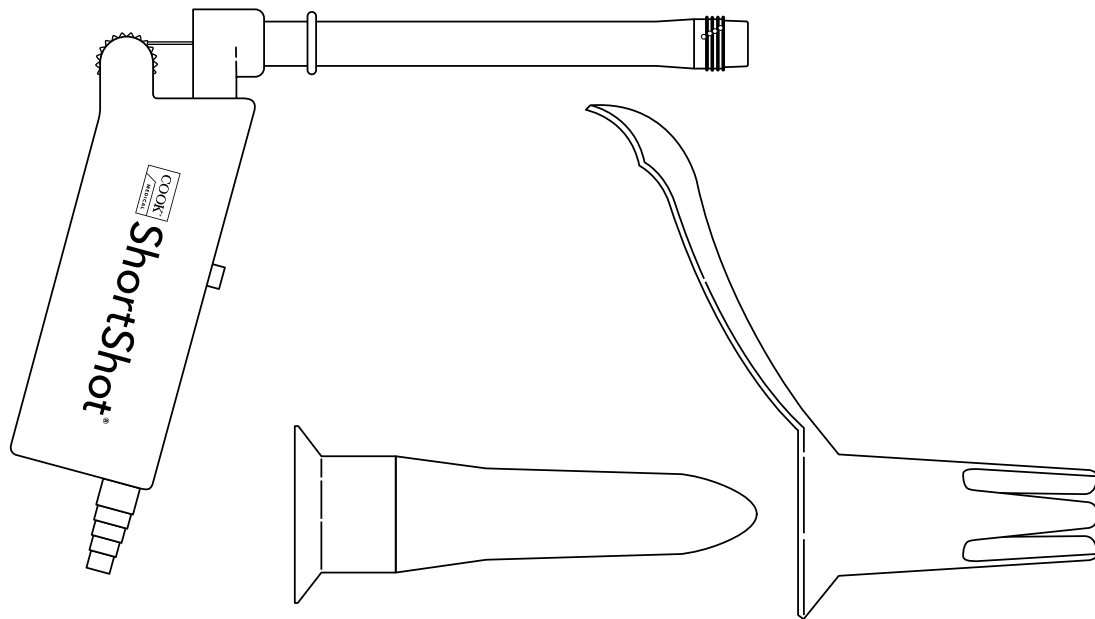
This device is supplied non-sterile.



ShortShot® Saeed Hemorrhoidal Multi-Band Ligator with TriView Anoscope™

Used to ligate internal hemorrhoids, facilitated by an anoscope, for use in adult patients only.

- Improved procedural efficiencies achieved through use of pre-loaded ShortShot Multi-Band Ligator
- Minimizes trauma with suction capture of hemorrhoids
- Superior positioning ability with TriView anoscope
- Safe, convenient and effective procedure
- Patient discomfort is potentially decreased with only a single insertion of an anoscope required

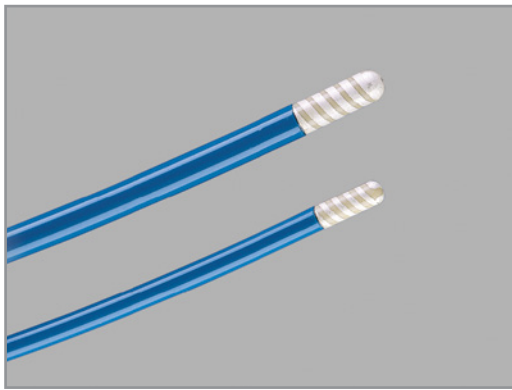


Order Number	Reference Part Number	Body Diameter inch	Body Diameter mm	Body Length inch	Body Length cm	Number of Bands
G34063	HMBL-4-TRI	.6	15	5	12.7	4

For use with Triview Anoscope only.

Caution: *This product contains natural rubber latex, which may cause allergic reactions.*

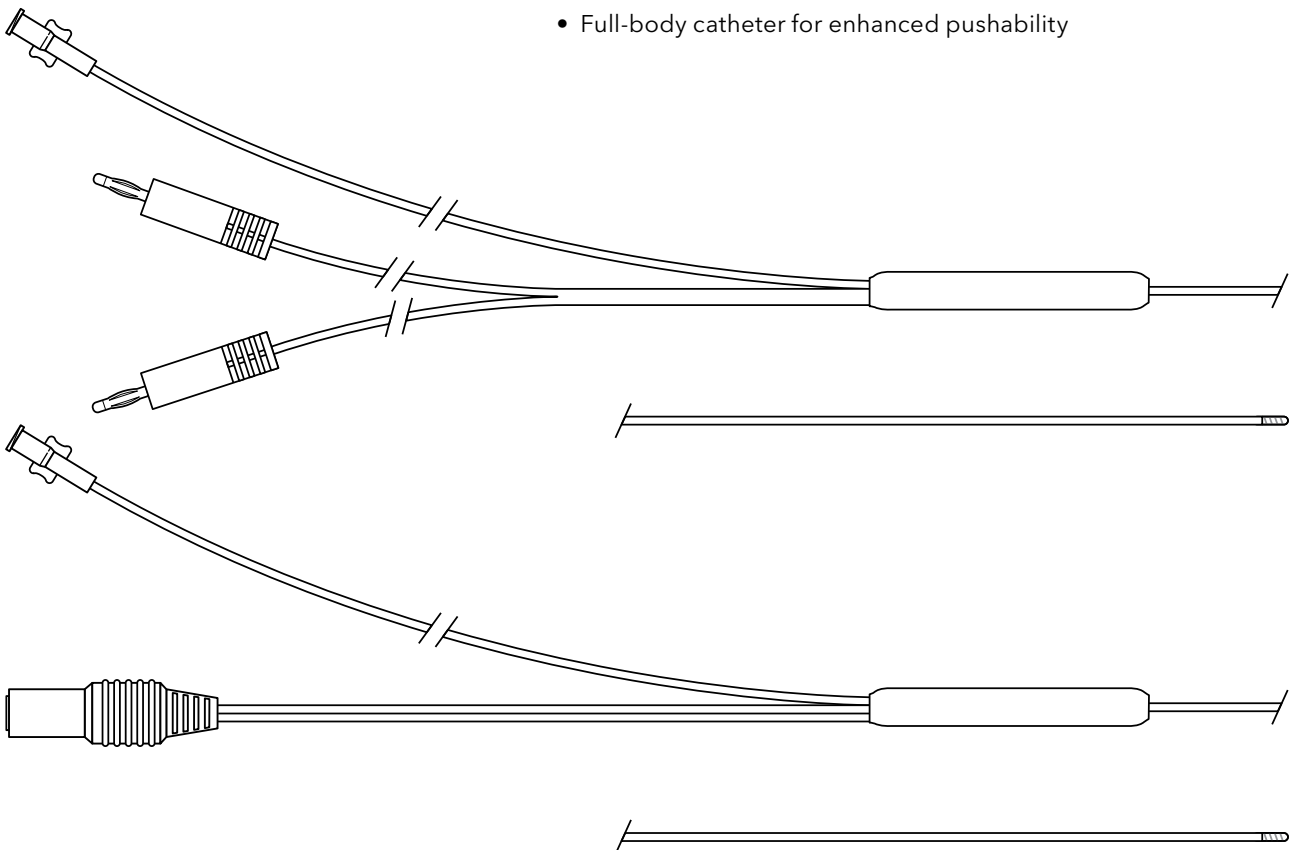
This device is supplied non-sterile.



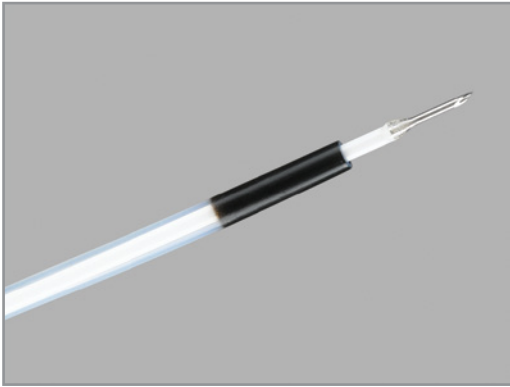
Quicksilver® BiPolar Probe

Used in conjunction with a single or dual plug bipolar electro-surgical generator to endoscopically provide hemostasis throughout the gastrointestinal tract.

- Hydromer® grafted tip and spiral electrodes reduce sticking for effective coagulation
- Central lumen allows easy irrigation
- Extra long 350 cm length facilitates use with enteroscopes
- Available for use with single or dual plug bipolar generators for total compatibility
- Completely disposable, eliminating cleaning and reprocessing costs
- Full-body catheter for enhanced pushability



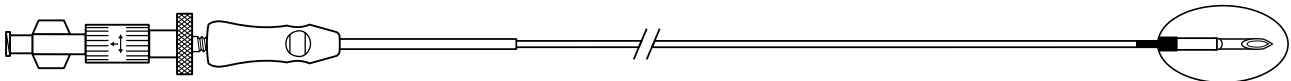
Order Number	Reference Part Number	Catheter Size Fr	Catheter Length cm	Generator Plug Type	Minimum Accessory Channel mm
G24925	BCP-7A	7	350	dual	2.8
G24926	BCP-7B	7	350	single	2.8
G24927	BCP-10A	10	350	dual	3.7
G24928	BCP-10B	10	350	single	3.7



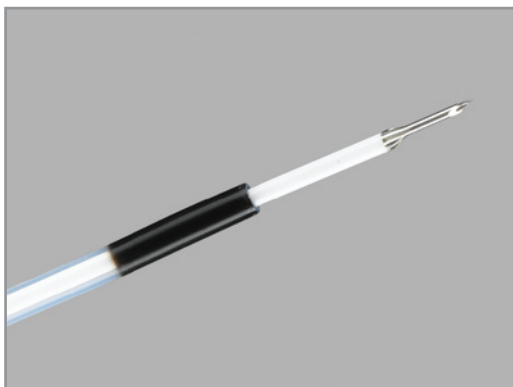
AcuJect® Variable Injection Needle

Used for endoscopic injection into gastrointestinal mucosa.

- Smooth needle advancement and retraction
- Clear outer catheter with white inner catheter to confirm needle advancement
- Inner and outer catheters Luer lock together to secure advanced needle
- Adjustment capability allows for accurate needle length extension



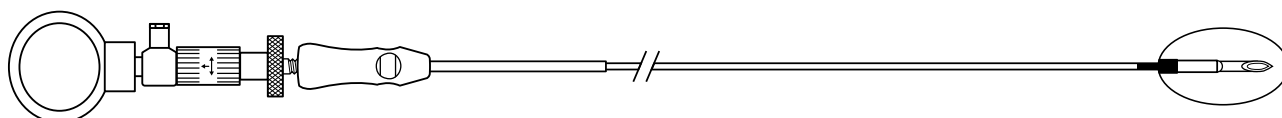
Order Number	Reference Part Number	Needle gage	Needle Tip Extension mm	Catheter Size Fr	Catheter Length cm	Minimum Accessory Channel mm
G22525	VIN-23	23	4	7	220	2.8
G22526	VIN-25	25	4	7	220	2.8



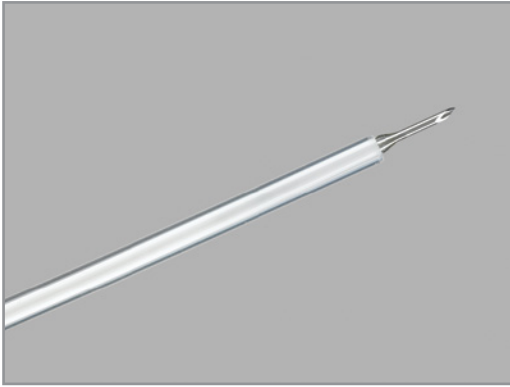
Disposable Varices Injector

Used for endoscopic injection into gastrointestinal mucosa.

- Smooth needle advancement and retraction
- Clear outer catheter with white inner catheter to confirm needle advancement
- Inner and outer catheters Luer lock together to secure advanced needle
- Adjustment capability allows for accurate needle length extension



Order Number	Reference Part Number	Needle gage	Needle Tip Extension mm	Catheter Size Fr	Catheter Length cm	Type of Handle	Accessory Introducer Included	Minimum Accessory Channel mm
G21694	LDVI-23	23	4	7	200	luer slip	n/a	2.8
G22992	LDVI-23-MH	23	4	7	200	luer slip with metal hub	n/a	2.8
G22722	LDVI-23E	23	4	7	320	luer slip	n/a	2.8
G21866	LDVI-23-240	23	4	7	240	luer slip	n/a	2.8
G21697	LDVI-25	25	4	7	200	luer slip	n/a	2.8
G22723	LDVI-25E	25	4	7	320	luer slip	n/a	2.8
G22994	LDVI-25-MH	25	4	7	200	luer slip with metal hub	n/a	2.8
G21649	LDVI-25-240	25	4	7	240	luer slip	n/a	2.8
G21915	TDVI-23	23	4	7	200	thumb ring	n/a	2.8
G22100	TDVI-23-240	23	4	7	240	thumb ring	n/a	2.8
G21917	TDVI-25	25	4	7	200	thumb ring	n/a	2.8
G21859	TDVI-25-240	25	4	7	240	thumb ring	n/a	2.8
G25148	DVI-23-MH	23	4	5	220	luer slip with metal hub	yes	2
G21824	DVI-23	23	4	5	220	luer slip	yes	2
G21825	DVI-25	25	4	5	220	luer slip	yes	2

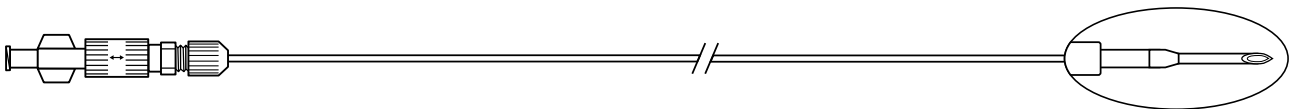


Disposable Varices Injector

Not for sale in the USA.

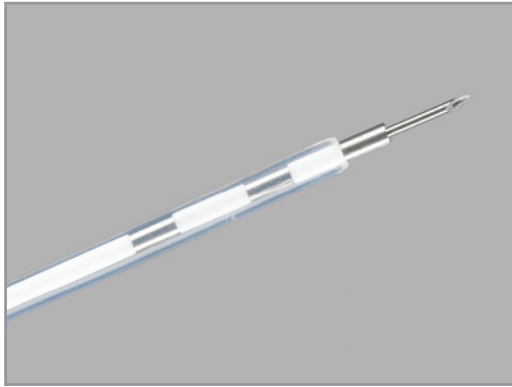
Used for endoscopic injection into gastrointestinal mucosa.

- Smooth needle advancement and retraction
- Clear outer catheter with white inner catheter to confirm needle advancement
- Inner and outer catheters Luer lock together to secure advanced needle



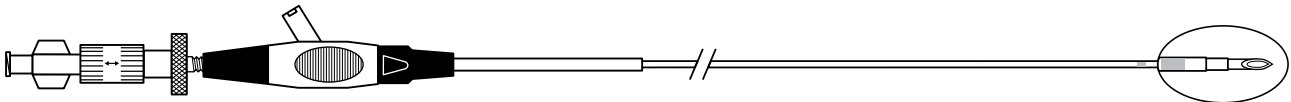
Order Number	Reference Part Number	Needle gage	Needle Tip Extension mm	Catheter Size Fr	Catheter Length cm	Type of Handle	Minimum Accessory Channel mm
G27101	DVIN-23	23	4	7	200	luer slip	2.8
G27102	DVIN-25	25	4	7	200	luer slip	2.8

Hemostasis - Needles

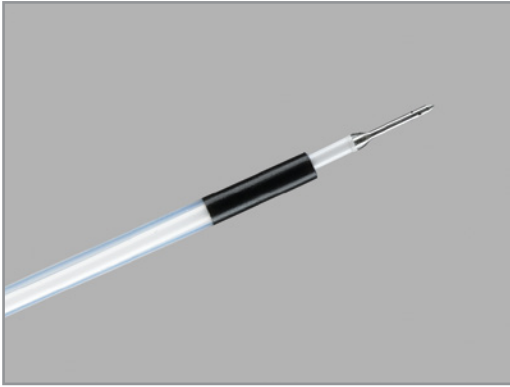
**InjectaFlow® Variable Injection Needle**

Used for endoscopic injection into gastrointestinal mucosa.

- The InjectaFlow is designed with a port to flush the targeted injection area if desired
- Adjustment capability allows accurate needle length extension.
- Smooth needle advancement and retraction
- Clear outer catheter with white inner catheter to confirm needle advancement
- Inner and outer catheters Luer lock together to secure advanced needle



Order Number	Reference Part Number	Needle gage	Needle Tip Extension mm	Catheter Size Fr	Catheter Length cm	Minimum Accessory Channel mm
G22747	VINF-23	23	4	7	220	2.8
G22748	VINF-25	25	4	7	220	2.8

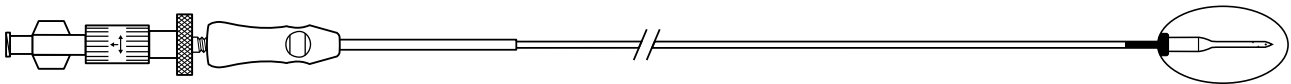


Submucosal Injection Needle

Not for sale in the USA.

Used for endoscopic injection into gastrointestinal submucosa.

- Smooth needle advancement and retraction
- Clear outer catheter with white inner catheter to confirm needle advancement
- Inner and outer catheters Luer lock together to secure advanced needle
- Adjustment capability allows for accurate needle length extension



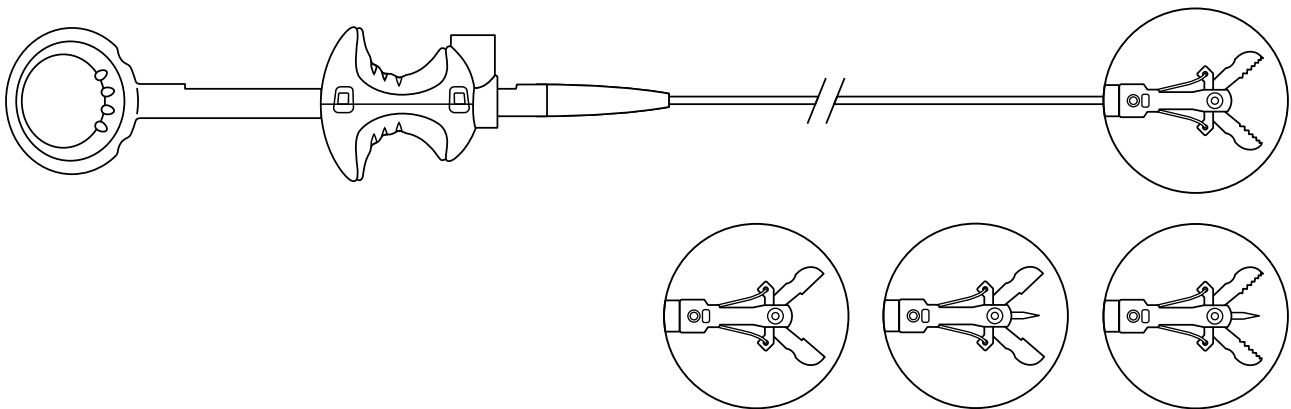
Order Number	Reference Part Number	Needle gage	Needle Tip Extension mm	Catheter Size Fr	Catheter Length cm	Type of Needle	Minimum Accessory Channel mm
G30685	SMN-23-240	23	4	7	240	cone tip with side holes	2.8
G32625	SMN-25-240	25	4	7	240	cone tip with side holes	2.8



Captura® Biopsy Forceps

Used to obtain endoscopic mucosal tissue biopsies and/or for foreign body retrieval.

- Disposable device eliminates cleaning and reprocessing
- Fenestrated cups with surgical and serrated edges for tissue acquisition
- Smooth, sheath operation facilitates ease of passage through the endoscope
- Available in mini, standard, large, jumbo, and max sizes
- Cups remain closed when forceps are in a closed position



Order Number	Reference Part Number	Cup Diameter mm	Shaft Length cm	Forceps Type	Cup Edge	Box Quantity	Scope Type	Minimum Accessory Channel mm	Color Code
Mini Forceps									
G53006	DBF-1.8-160-S	1.8	160	non-spiked	surgical	10	gastroscope	2.0	green
Standard Forceps									
G31577	DBF-2.4-160-S	2.4	160	non-spiked	surgical	10	gastroscope	2.8	green
G56061	DBF-2.4-160-20-S	2.4	160	non-spiked	surgical	20	gastroscope	2.8	green
G31580	DBF-2.4-160SP-S	2.4	160	spiked	surgical	10	gastroscope	2.8	green
G56071	DBF-2.4-160SP-20-S	2.4	160	spiked	surgical	20	gastroscope	2.8	green
G31576	DBF-2.4-230-S	2.4	230	non-spiked	surgical	10	colonoscope	2.8	red
G56065	DBF-2.4-230-20-S	2.4	230	non-spiked	surgical	20	colonoscope	2.8	red
G31585	DBF-2.4-230SP-S	2.4	230	spiked	surgical	10	colonoscope	2.8	red
G56074	DBF-2.4-230SP-20-S	2.4	230	spiked	surgical	20	colonoscope	2.8	red
G56122	DBF-2.4SN-160-S	2.4	160	non-spiked	serrated	10	gastroscope	2.8	green
G56123	DBF-2.4SN-160-20-S	2.4	160	non-spiked	serrated	20	gastroscope	2.8	green
G56124	DBF-2.4SN-160-40-S	2.4	160	non-spiked	serrated	40	gastroscope	2.8	green

Continued on page 161

Esophageal/Gastric/Colonic - Forceps

Captura® Biopsy Forceps

Continued from page 161

Order Number	Reference Part Number	Cup Diameter mm	Shaft Length cm	Forceps Type	Cup Edge	Box Quantity	Scope Type	Minimum Accessory Channel mm	Color Code
Standard Forceps, continued									
G56128	DBF-2.4SN-160SP-S	2.4	160	spiked	serrated	10	gastroscope	2.8	green
G56129	DBF-2.4SN-160SP-20-S	2.4	160	spiked	serrated	20	gastroscope	2.8	green
G56130	DBF-2.4SN-160SP-40-S	2.4	160	spiked	serrated	40	gastroscope	2.8	green
G56125	DBF-2.4SN-230-S	2.4	230	non-spiked	serrated	10	colonoscope	2.8	red
G56126	DBF-2.4SN-230-20-S	2.4	230	non-spiked	serrated	20	colonoscope	2.8	red
G56127	DBF-2.4SN-230-40-S	2.4	230	non-spiked	serrated	40	colonoscope	2.8	red
G56131	DBF-2.4SN-230SP-S	2.4	230	spiked	serrated	10	colonoscope	2.8	red
G56132	DBF-2.4SN-230SP-20-S	2.4	230	spiked	serrated	20	colonoscope	2.8	red
G56133	DBF-2.4SN-230SP-40-S	2.4	230	spiked	serrated	40	colonoscope	2.8	red
Large Forceps									
G53630	DBF-2.4SL-160-S	2.4	160	non-spiked	serrated	10	gastroscope	2.8	green
G56057	DBF-2.4SL-160-20-S*	2.4	160	non-spiked	serrated	20	gastroscope	2.8	green
G56056	DBF-2.4SL-160-40-S	2.4	160	non-spiked	serrated	40	gastroscope	2.8	green
G53638	DBF-2.4SL-160SP-S	2.4	160	spiked	serrated	10	gastroscope	2.8	green
G56070	DBF-2.4SL-160SP-20-S*	2.4	160	spiked	serrated	20	gastroscope	2.8	green
G56073	DBF-2.4SL-160SP-40-S	2.4	160	spiked	serrated	40	gastroscope	2.8	green
G53633	DBF-2.4SL-230-S	2.4	230	non-spiked	serrated	10	colonoscope	2.8	red
G56052	DBF-2.4SL-230-20-S	2.4	230	non-spiked	serrated	20	colonoscope	2.8	red
G56059	DBF-2.4SL-230-40-S	2.4	230	non-spiked	serrated	40	colonoscope	2.8	red
G53641	DBF-2.4SL-230SP-S	2.4	230	spiked	serrated	10	colonoscope	2.8	red
G56087	DBF-2.4SL-230SP-20-S	2.4	230	spiked	serrated	20	colonoscope	2.8	red
G56076	DBF-2.4SL-230SP-40-S	2.4	230	spiked	serrated	40	colonoscope	2.8	red
Jumbo Forceps									
G53628	DBF-2.8SJ-160-S	2.8	160	non-spiked	serrated	10	gastroscope	3.2	green
G53650	DBF-2.8SJ-160SP-S	2.8	160	spiked	serrated	10	gastroscope	3.2	green
G53642	DBF-2.8SJ-230-S	2.8	230	non-spiked	serrated	10	colonoscope	3.2	red
G53042	DBF-2.8SJ-230SP-S	2.8	230	spiked	serrated	10	colonoscope	3.2	red
Max Forceps									
G54166	DBF-3.3SM-160-S	3.3	160	non-spiked	serrated	10	gastroscope	3.8	green
G56054	DBF-3.3SM-160-20-S*	3.3	160	non-spiked	serrated	20	gastroscope	3.8	green
G54168	DBF-3.3SM-160SP-S	3.3	160	spiked	serrated	10	gastroscope	3.8	green
G56053	DBF-3.3SM-160SP-20-S*	3.3	160	spiked	serrated	20	gastroscope	3.8	green
G54167	DBF-3.3SM-230-S	3.3	230	non-spiked	serrated	10	colonoscope	3.8	red
G56058	DBF-3.3SM-230-20-S	3.3	230	non-spiked	serrated	20	colonoscope	3.8	red

Continued on page 163

Captura® Biopsy Forceps

Continued from page 162

Order Number	Reference Part Number	Cup Diameter mm	Shaft Length cm	Forceps Type	Cup Edge	Box Quantity	Scope Type	Minimum Accessory Channel mm	Color Code
Max Forceps, continued									
G54170	DBF-3.3SM-230SP-S	3.3	230	spiked	serrated	10	colonoscope	3.8	red
G56055	DBF-3.3SM-230SP-20-S	3.3	230	spiked	serrated	20	colonoscope	3.8	red
G56060	DBF-3.3SM-230SP-40-S	3.3	230	spiked	serrated	40	colonoscope	3.8	red

*Non-stock product. All forceps are fenestrated.

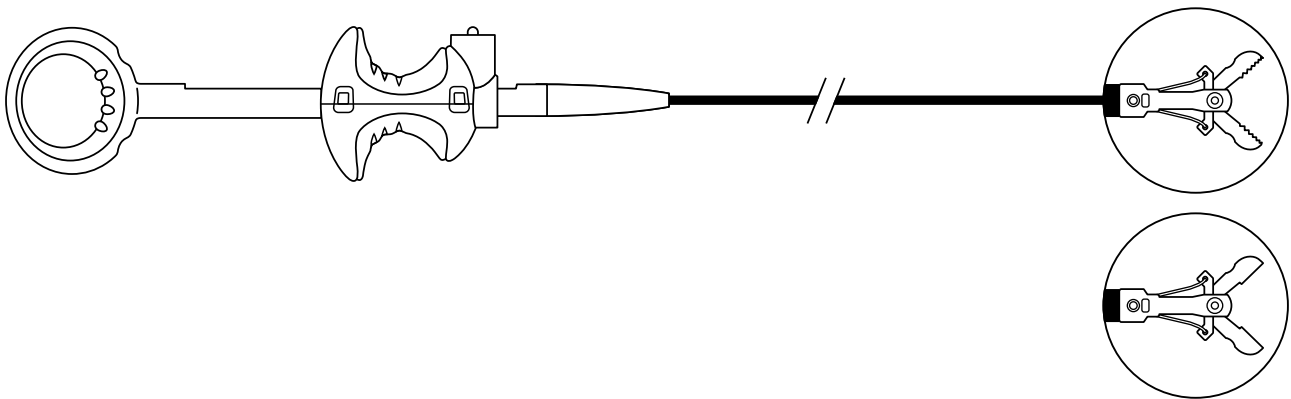
Esophageal/Gastric/Colonic - Forceps



Captura® Disposable Hot Biopsy Forceps

Used endoscopically in conjunction with monopolar electrocautery current to obtain gastrointestinal mucosal tissue biopsies and for removal of sessile polyps.

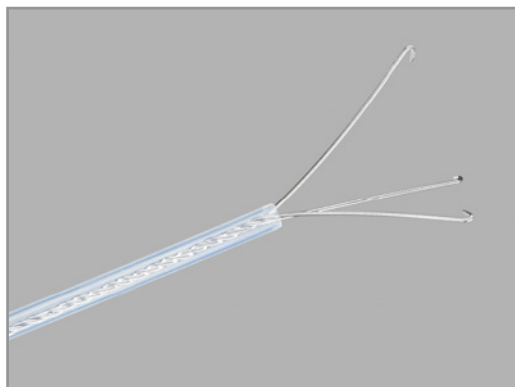
- Fenestrated cups with surgical and serrated edges for tissue acquisition



Order Number	Reference Part Number	Cup Diameter mm	Shaft Length cm	Forceps Type	Cup Edge	Box Quantity	Scope Type	Minimum Accessory Channel mm	Color Code
G31583	HDBF-2.4-230-S	2.4	230	non-spiked	surgical	5	colonoscope	2.8	red
G56135	HDBF-2.4SN-230-S	2.4	230	non-spiked	serrated	5	colonoscope	2.8	red

Active cord (page 219) sold separately.

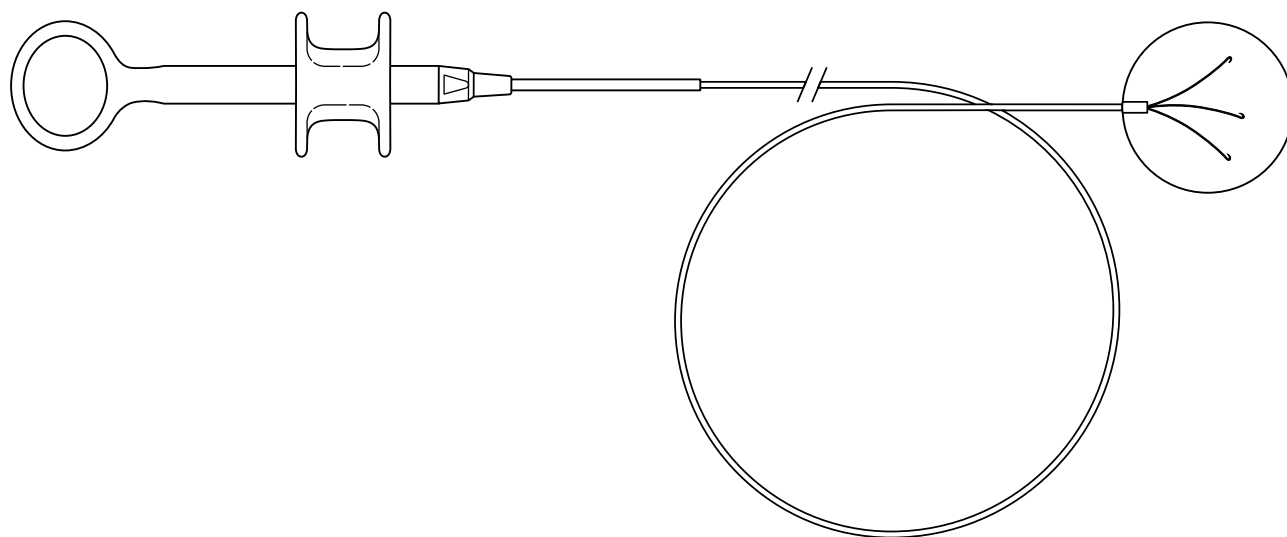
All forceps are fenestrated.



Caesar® Grasping Forceps

Used for foreign body retrieval.

- Hooked, three-prong grasper enhances ability to capture foreign bodies
- Ergonomic handle facilitates one-handed operation
- 5.5 Fr sheath allows use with 2.8 mm endoscope channel
- PTFE sheath permits easy insertion and passage of forceps during procedure
- Color-coded handle for ease of identification for proper scope channel length
- Disposability eliminates reprocessing time, cost-efficient



Order Number	Reference Part Number	Sheath Size Fr	Shaft Length cm	Forceps Type	Scope Type	Minimum Accessory Channel mm	Color Code
G25080	CGF-1-240	5.5	240	3 prong	colonoscope	2	red

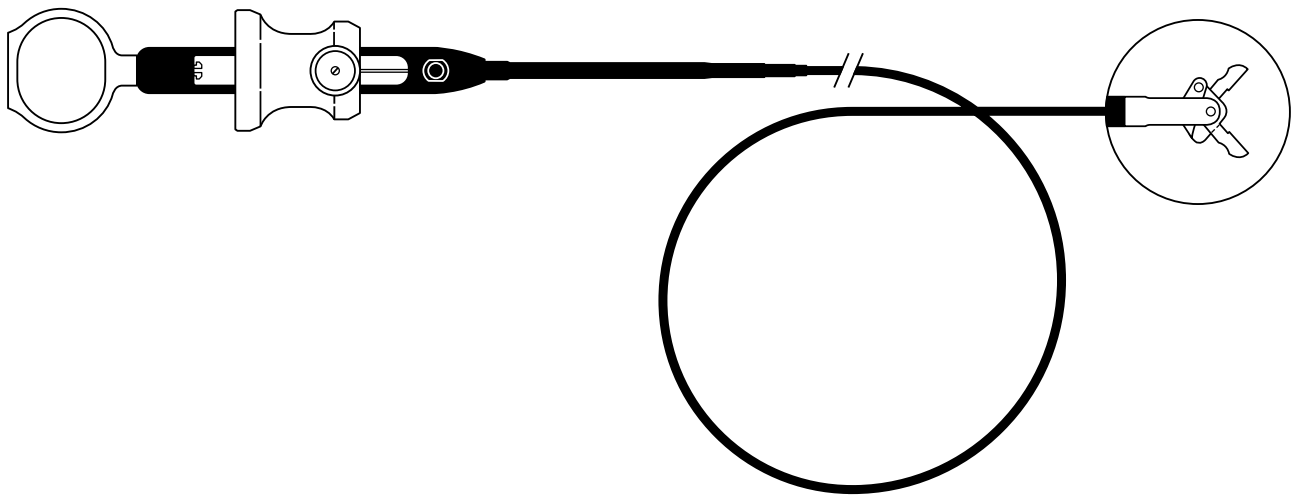
Esophageal/Gastric/Colonic - Forceps



HotMaxx® Reusable Hot Biopsy Forceps

Used endoscopically in conjunction with monopolar electro-surgical current to obtain gastrointestinal mucosal tissue biopsies and for removal of sessile polyps.

- Fenestrated cups with serrated edge for tissue acquisition



Order Number	Reference Part Number	Cup Diameter mm	Shaft Length cm	Forceps Type	Cup Edge	Scope Type	Minimum Accessory Channel mm	Color Code
G25238	HMF-2.5-230	2.5	230	non-spiked	Serrated	colonoscope	2.8	red

Note: We recommend this device be sterilized prior to first use following the set points included in the instructions. Prior to each subsequent use, the device should be cleaned and sterilized following the cleaning and sterilization instructions included.

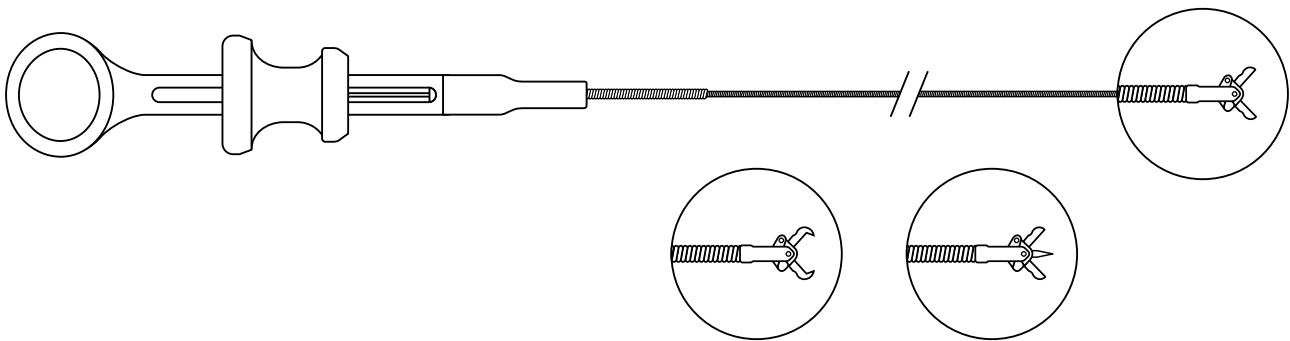
Active cord (page 219) available separately.

This device is supplied non-sterile and is reusable.



Maxum® Reusable Forceps

Used to obtain endoscopic mucosal tissue biopsies and/or for foreign body retrieval.



Order Number	Reference Part Number	Cup Diameter mm	Shaft Length cm	Forceps Type	Scope Type	Minimum Accessory Channel mm	Color Code
G22244	GBF-1.8-160*	1.8	160	non-spiked	gastroscope	2	green
G22245	GBF-1.8-160-S*	1.8	160	spiked	gastroscope	2	green
G22246	GBF-2.5-160	2.5	160	non-spiked	gastroscope	2.8	green
G22247	GBF-2.5-160-S	2.5	160	spiked	gastroscope	2.8	green
G22242	CBF-2.5-230	2.5	230	non-spiked	colonoscope	2.8	red
G22243	CBF-2.5-230-S	2.5	230	spiked	colonoscope	2.8	red
G22253	RTF-1.8-160	1.8	160	rat tooth	gastroscope	2	green
G22254	RTF-2.5-160	2.5	160	rat tooth	gastroscope	2.8	green
G22255	RTF-2.5-230	2.5	230	rat tooth	colonoscope	2.8	red

*Non-stock product.

This device is supplied non-sterile and is reusable.

Esophageal/Gastric/Colonic - Forceps

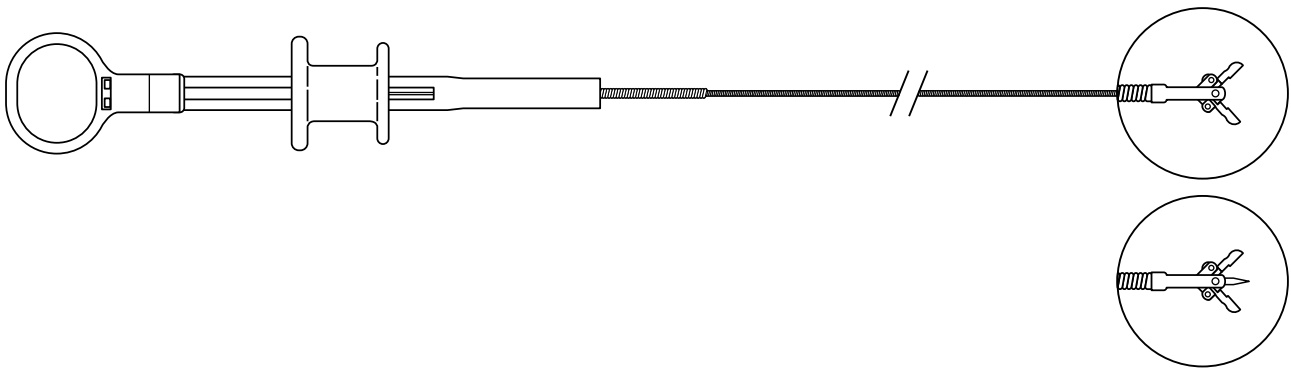


MAX2® Reusable Forceps

Not for sale in the USA.

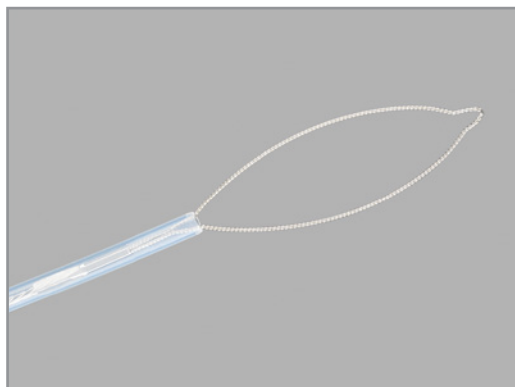
Used to obtain endoscopic mucosal tissue biopsies for microscopic examination. This device may be used for foreign body retrieval.

- Fenestrated cups for tissue acquisition



Order Number	Reference Part Number	Cup Diameter mm	Shaft Length cm	Forceps Type	Scope Type	Minimum Accessory Channel mm	Color Code
G32626	RBF-2.4-160	2.4	160	non-spiked	gastroscope	2.8	green
G32623	RBF-2.4-160-S	2.4	160	spiked	gastroscope	2.8	green
G32624	RBF-2.4-230	2.4	230	non-spiked	colonoscope	2.8	red
G32627	RBF-2.4-230-S	2.4	230	spiked	colonoscope	2.8	red

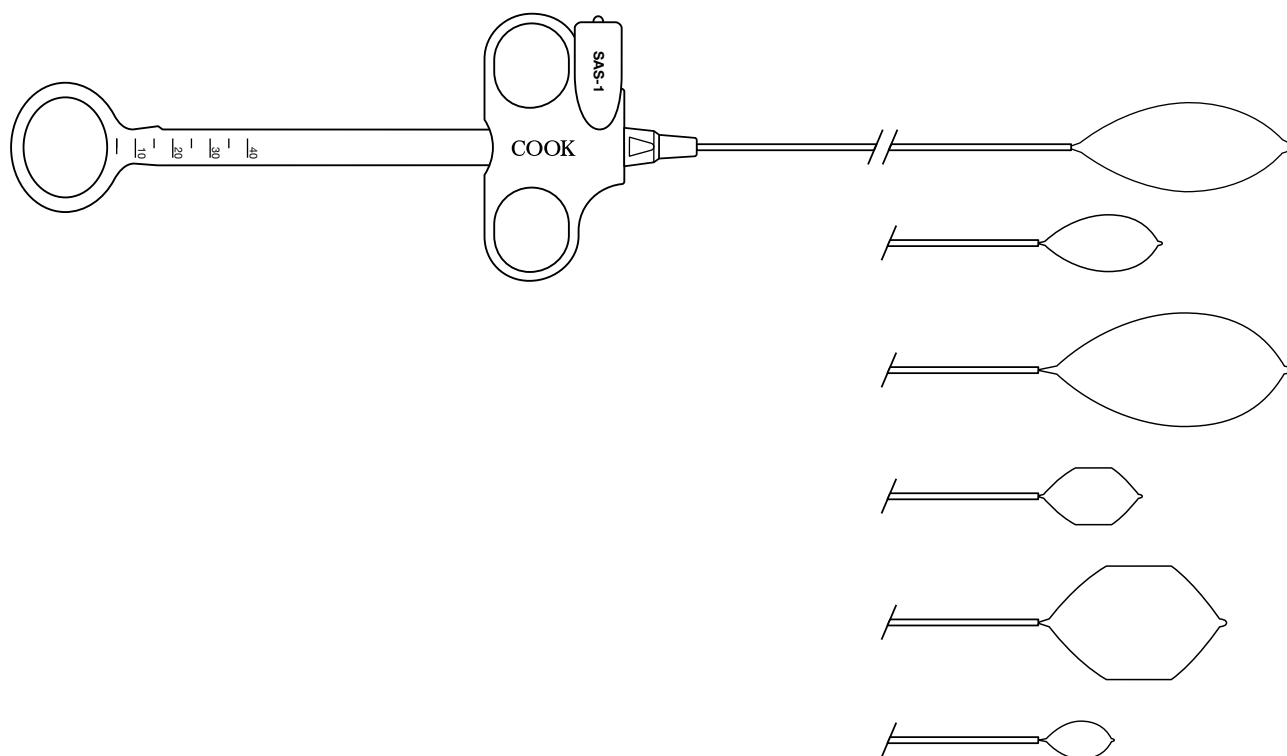
This device is supplied non-sterile.



AcuSnare® Polypectomy Device

Used with an electrosurgical unit for endoscopic polypectomy.

- Braided stainless steel snare for smooth and concise excision. Our Soft AcuSnare contains nitinol for a softer feel
- 7 Fr, 240 cm Teflon® sheath delivers low coefficient of friction for smooth insertion
- Graduated markings on handle reduce risk of prematurely guillotining polyp



Order Number	Reference Part Number	Sheath Size Fr	Sheath Length cm	Snare Size cm	Snare Type	Box Quantity	Minimum Accessory Channel mm
AcuSnare							
G22631	ASM-1-S	7	240	1.5 x 3	mini oval	10	2.8
G22629	AS-1-S	7	240	2.5 x 5.5	standard oval	10	2.8
G22630	ASJ-1-S	7	240	3 x 6	jumbo oval	10	2.8
G22701	ASMH-1-S	7	240	1.5 x 2.5	mini hexagonal	10	2.8
G22700	ASH-1-S	7	240	3 x 4.5	hexagonal	10	2.8

Active cord (page 219) available separately.

Teflon is a registered trademark of DuPont Corporation.

Continued on page 170

Esophageal/Gastric/Colonic - Snares

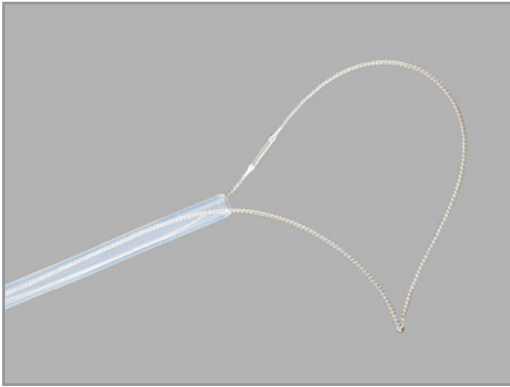
AcuSnare® Polypectomy Device

Continued from page 169

Order Number	Reference Part Number	Sheath Size Fr	Sheath Length cm	Snare Size cm	Snare Type	Box Quantity	Minimum Accessory Channel mm
Soft AcuSnare							
G22704	SASMM-1-S	7	240	1 x 1.5	micro mini oval	10	2.8
G22633	SASM-1-S	7	240	1.5 x 3	mini oval	10	2.8
G22632	SAS-1-S	7	240	2.5 x 5.5	standard oval	10	2.8
G22634	SASJ-1-S	7	240	3 x 6	jumbo oval	10	2.8
G22703	SASMH-1-S	7	240	1.5 x 2.5	mini hexagonal	10	2.8
G22702	SASH-1-S	7	240	3 x 4.5	hexagonal	10	2.8

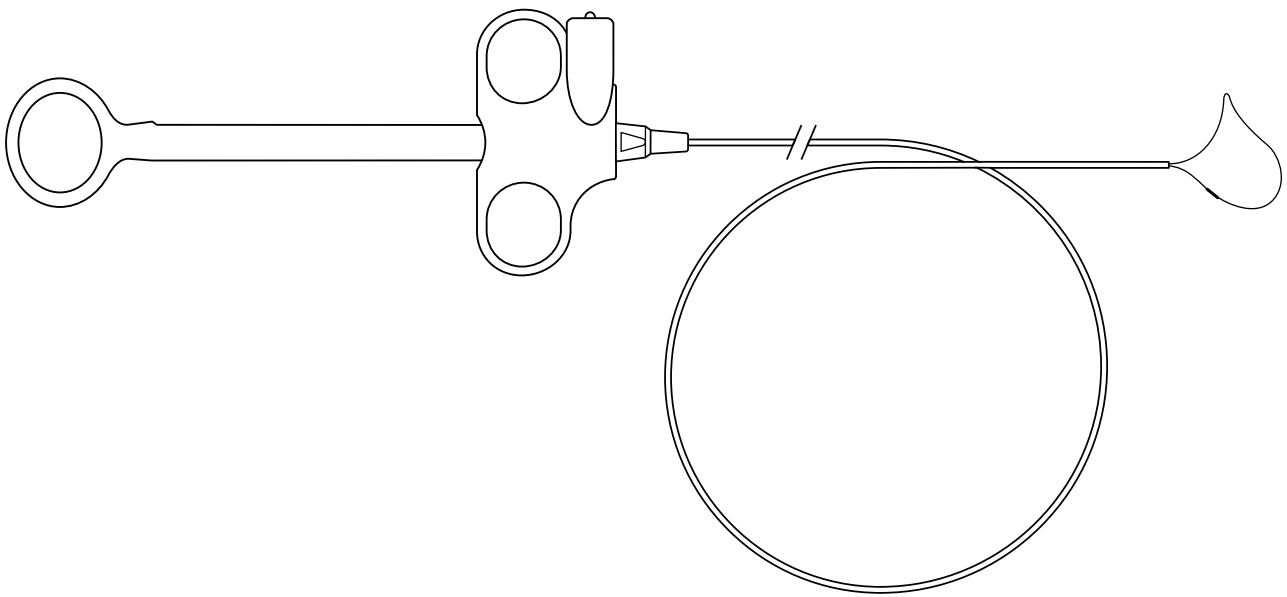
Active cord (page 219) available separately.

Teflon is a registered trademark of DuPont Corporation.



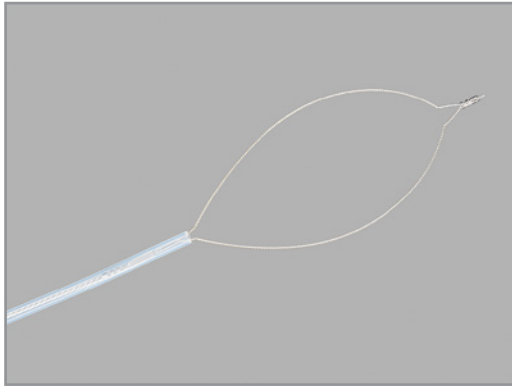
AcuSnare® Polypectomy Device - Duck Bill

Used with an electrothermal unit for endoscopic polypectomy.



Order Number	Reference Part Number	Sheath Size Fr	Sheath Length cm	Snare Size mm	Snare Type	Box Quantity	Minimum Accessory Channel mm
G22647	ASDB-15-015-S	7	240	15	duck bill	10	2.8
G22649	ASDB-25-015-S	7	240	25	duck bill	10	2.8

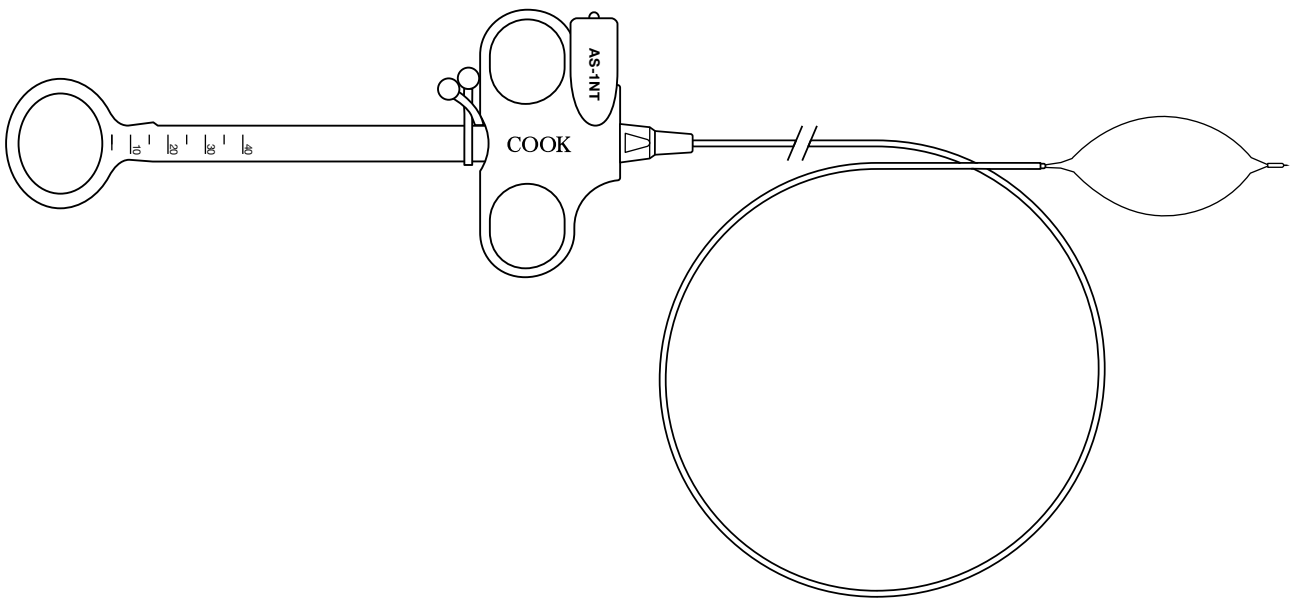
Active cord (page 219) available separately.



AcuSnare® Polypectomy Device - Needle Tip

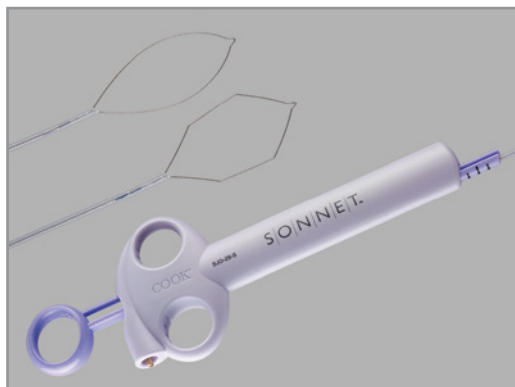
Used with an electrocautery unit for endoscopic polypectomy.

- Needle tip aids in stabilizing the snare for polyp capture



Order Number	Reference Part Number	Sheath Size Fr	Sheath Length cm	Snare Size cm	Snare Type	Box Quantity	Minimum Accessory Channel mm
G22897	AS-1NT-S	7	240	2.5 x 5.5	needle tip	10	2.8

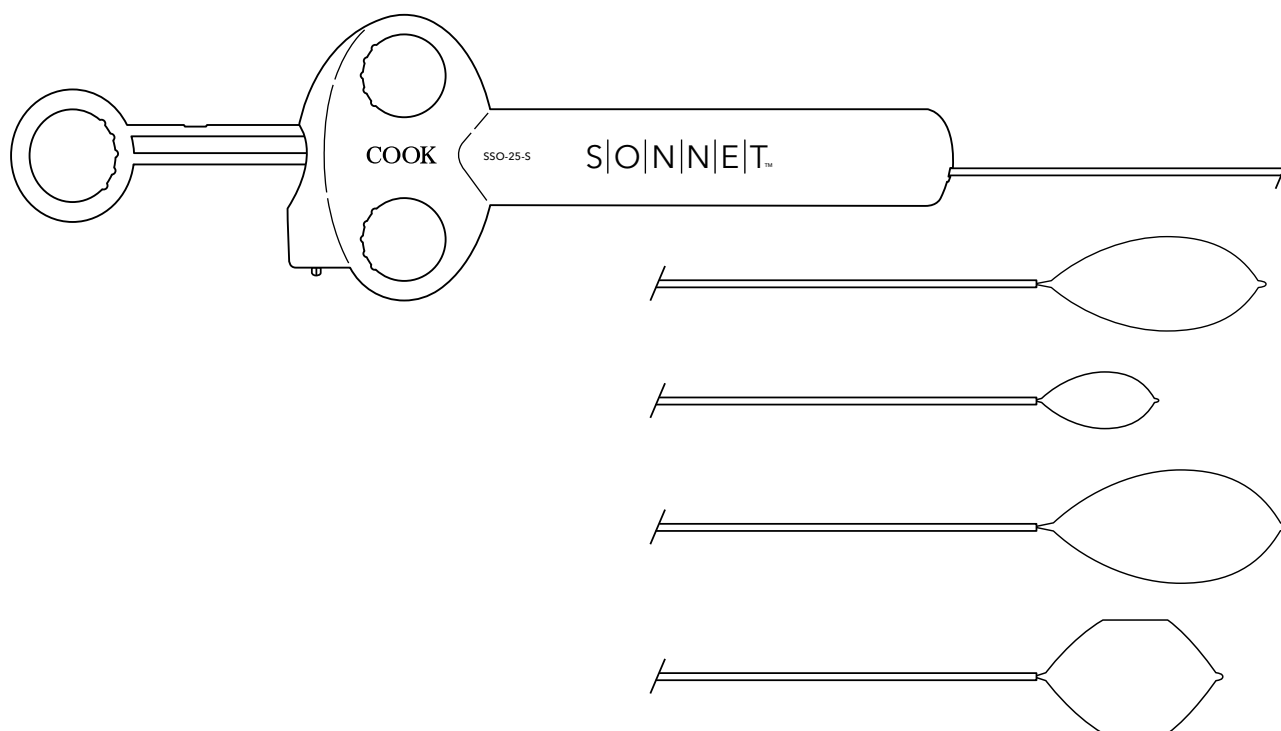
Active cord (page 219) available separately.



Sonnet® Short-Throw Polypectomy Snare

A monopolar electrosurgical device used with an electrical unit for endoscopic polypectomy.

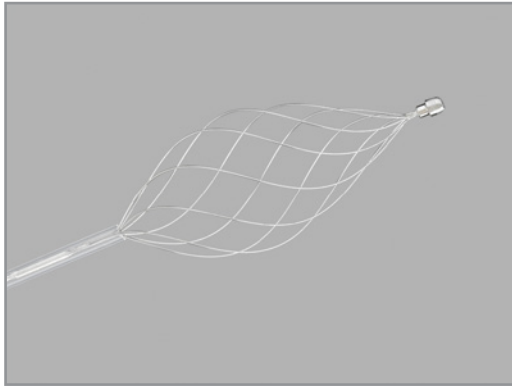
- Strengthened handle and cable for secure, controlled snaring
- Available in a variety of snare configurations for clinician preference and variations in polyp size
- Braided wire for smooth, speedy resection
- Handle imprinted with product codes for ready identification



Order Number	Reference Part Number	Sheath Size Fr	Sheath Length cm	Snare Size cm	Snare Type	Box Quantity	Minimum Accessory Channel mm
G34160	SMO-13-S	7	240	1.5 x 3	mini oval	10	2.8
G34158	SSO-25-S	7	240	2.5 x 5.5	standard oval	10	2.8
G34159	SJO-29-S	7	240	3 x 6	jumbo oval	10	2.8
G34161	SSH-28-S	7	240	3 x 4.5	hexagonal	10	2.8

Active cord available separately (page 219).

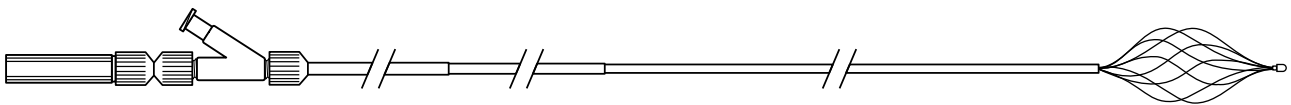
Esophageal/Gastric/Colonic - Snares



Memory Basket® Polyp Retriever

Used for endoscopic removal of polyps after polypectomy.

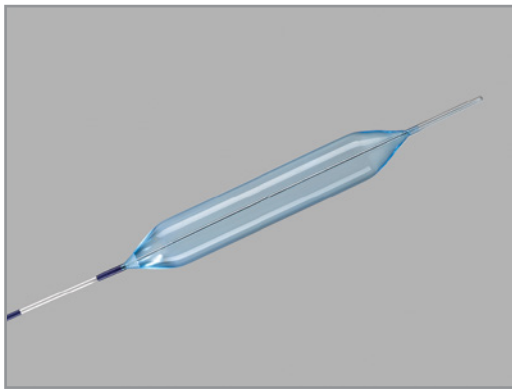
- Monofilament wire



Order Number	Reference Part Number	Sheath Size Fr	Sheath Length cm	Basket Size cm	Handle Type	Minimum Accessory Channel mm
G21693	MPB-2X4-8	7	240	2 x 4	rotatable pin vise	2.8
G22106	MPB-3X6-8	7	240	3 x 6	rotatable pin vise	2.8

Not for use with mechanical lithotripter.

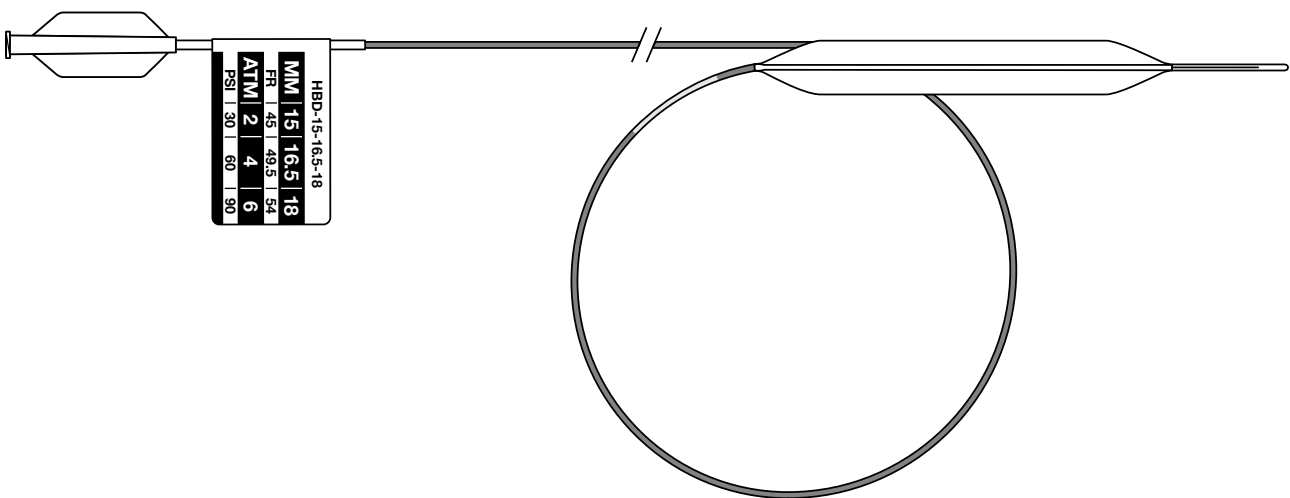
This device is supplied non-sterile and is reusable.



Hercules® 3 Stage Balloon

Used to endoscopically dilate strictures of the esophagus.

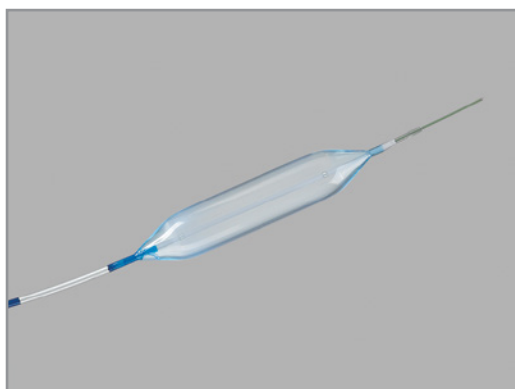
- Rapid balloon deflation* is achieved with the Express Evacuation Catheter and patent-pending Rapid Deflation Sleeve
- Kink-resistant Nitinol catheter provides maneuverability
- Flexible atraumatic tip for smooth access through especially tight strictures
- Glow-in-the-dark size and inflation information on packaging and catheter tags for easy identification
- Pre-lubricated balloon facilitates removal from the accessory channel



Order Number	Reference Part Number	Catheter Size Fr	Catheter Length cm	Balloon Diameter mm	Balloon Diameter Fr	Balloon Length cm	Pressure atm	Pressure psi	Minimum Accessory Channel mm
G31928	HBD-8-9-10	7	180	8-9-10	24-27-30	8	4-6-8	60-90-120	2.8
G31925	HBD-10-11-12	7	180	10-11-12	30-33-36	8	2-4-6	30-60-90	2.8
G31926	HBD-12-13.5-15	7	180	12-13.5-15	36-40.5-45	8	2-4-6	30-60-90	2.8
G48732	HBD-15-16.5-18	7	180	15-16.5-18	45-49.5-54	8	2-4-6	30-60-90	2.8
G31927	HBD-18-19-20	7	180	18-19-20	54-57-60	8	2-4-6	30-60-90	2.8

*Based on using a 60cc syringe. Data on file at Cook Medical.

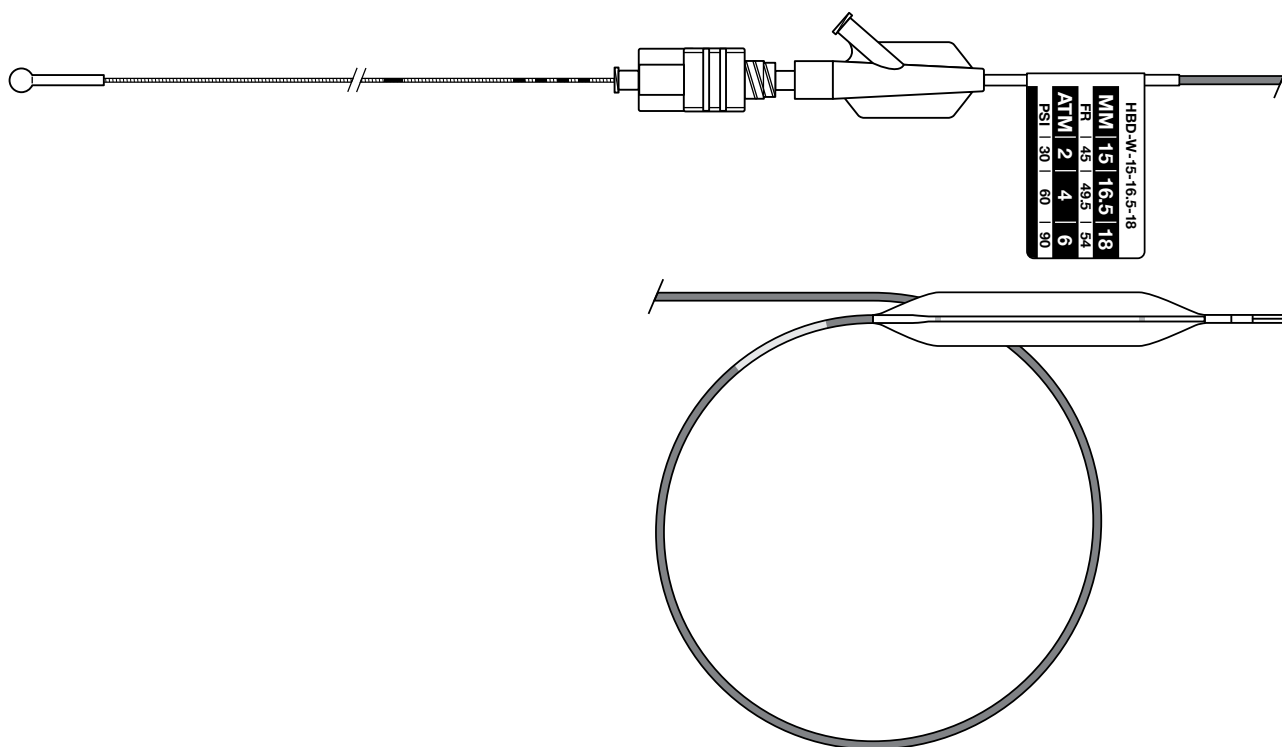
Esophageal/Gastric/Colonic - Dilation



Hercules® 3 Stage Wire Guided Balloon

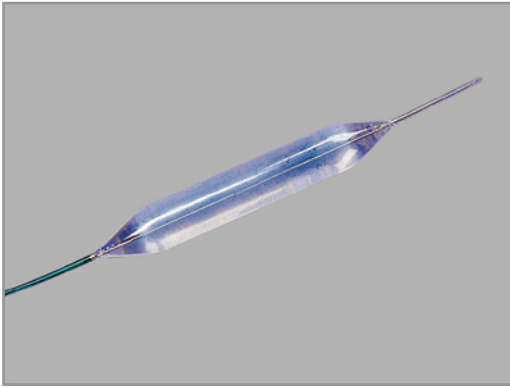
Used to endoscopically dilate strictures of the gastrointestinal tract including the esophagus, pylorus, duodenum and colon.

- Rapid deflation completes procedure quickly*
- Two radiopaque markers identify body of balloon for excellent visibility of balloon positioning
- Glow-in-the-dark size and inflation information on packaging and catheter tags for easy identification
- 2.8 mm minimum accessory channel for all scope manufacturers



Order Number	Reference Part Number	Catheter Size Fr	Catheter Length cm	Balloon Diameter mm	Balloon Diameter Fr	Balloon Length cm	Pressure atm	Pressure psi	Minimum Accessory Channel mm
G51799	HBD-W-8-9-10	8	240	8-9-10	24-27-30	5.5	4-6-8	60-90-120	2.8
G51795	HBD-W-10-11-12	8	240	10-11-12	30-33-36	5.5	2-4-6	30-60-90	2.8
G51796	HBD-W-12-13.5-15	8	240	12-13.5-15	36-40.5-45	5.5	2-4-6	30-60-90	2.8
G51797	HBD-W-15-16.5-18	8	240	15-16.5-18	45-49.5-54	5.5	2-4-6	30-60-90	2.8
G51798	HBD-W-18-19-20	8	240	18-19-20	54-57-60	5.5	2-4-6	30-60-90	2.8

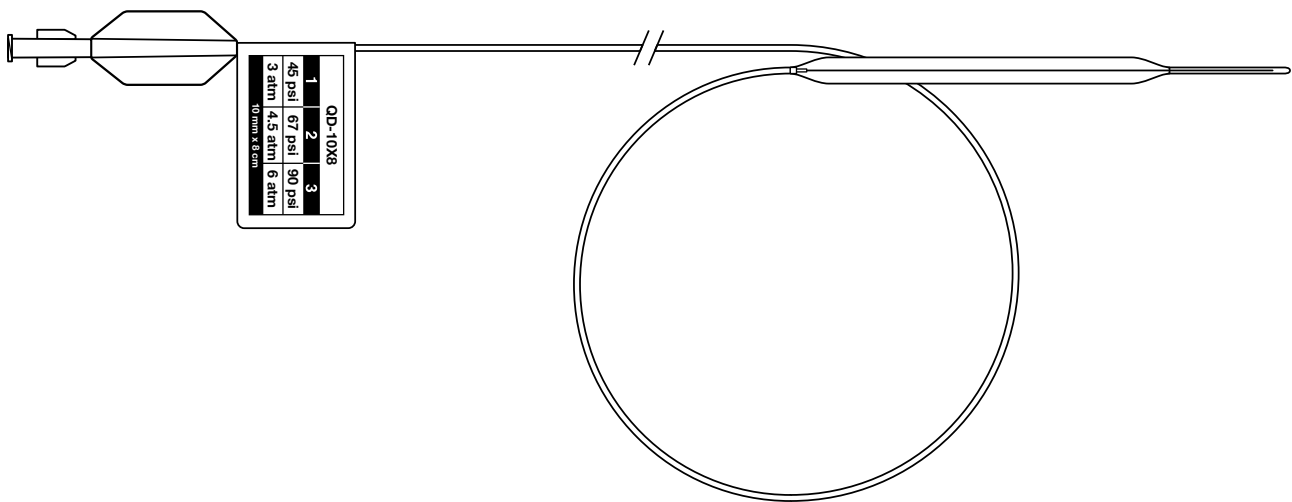
*Based on using a 60cc syringe. Data on file at Cook Medical.
Wire guide length 300 cm.



Quantum TTC® Balloon Dilator

Used to dilate strictures of the gastrointestinal tract, including strictures of the esophagus, pylorus, duodenum and colon.

- Delivers even symmetrical force at each stage of dilation with minimal wasting
- Kink-resistant Nitinol catheter provides maneuverability
- Flexible atraumatic tip for smooth access through tight strictures



Order Number	Reference Part Number	Catheter French Size Fr	Catheter Length cm	Balloon Diameter mm	Balloon Diameter Fr	Balloon Length cm	Pressure atm	Pressure psi	Minimum Accessory Channel mm
Esophageal									
G22307	QD-6X8*	7	195	6	18	8	8	120	2.8
G22308	QD-8X8	7	195	8	24	8	4-6-8	60-90-120	2.8
G22309	QD-10X8	7	195	10	30	8	3-4.5-6	45-67-90	2.8
G22310	QD-12X8	7	195	12	36	8	3-4.5-6	45-67-90	2.8
G22311	QD-14X8	7	195	14	42	8	2-3-4	30-45-60	2.8
G22312	QD-16X8	7	195	16	48	8	2-3-4	30-45-60	2.8
G22313	QD-18X8	7	195	18	54	8	1.8-2.6-3.5	25-37-50	2.8
G31511	QD-20X8	7	195	20	60	8	2-4-6	30-60-90	2.8
G22772	QD-14X8-E	7	320	14	42	8	2-3-4	30-45-60	2.8
G22773	QD-16X8-E	7	320	16	48	8	2-3-4	30-45-60	2.8
G22774	QD-18X8-E	7	320	18	54	8	1.8-2.6-3.5	25-37-50	2.8

*Full inflation pressure only is provided on the catheter tag for these products.

3-way stopcock included.

This device is supplied non-sterile.

Continued on page 178

Esophageal/Gastric/Colonic - Dilation

Quantum TTC® Balloon Dilator

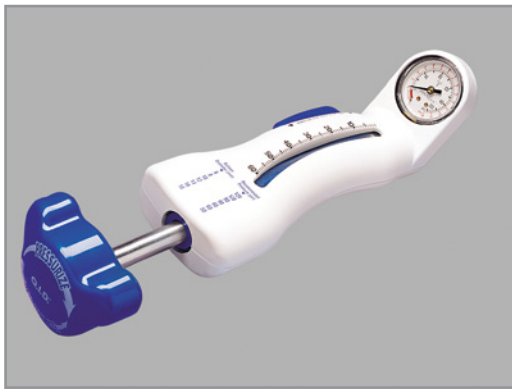
Continued from page 177

Order Number	Reference Part Number	Catheter French Size Fr	Catheter Length cm	Balloon Diameter mm	Balloon Diameter Fr	Balloon Length cm	Pressure atm	Pressure psi	Minimum Accessory Channel mm
Pyloric									
G22546	QDP-6X5.5*	7	195	6	18	5.5	8	120	2.8
G22547	QDP-8X5.5	7	195	8	24	5.5	4-6-8	60-90-120	2.8
G22548	QDP-10X5.5	7	195	10	30	5.5	3-4.5-6	45-67-90	2.8
G22549	QDP-12X5.5	7	195	12	36	5.5	3-4.5-6	45-67-90	2.8
G22550	QDP-14X5.5	7	195	14	42	5.5	2-3-4	30-45-60	2.8
G22551	QDP-16X5.5	7	195	16	48	5.5	2-3-4	30-45-60	2.8
G22552	QDP-18X5.5	7	195	18	54	5.5	1.8-2.6-3.5	25-37-50	2.8
G22998	QDP-20X5.5*	7	195	20	60	5.5	3.5	50	2.8
Colonic									
G22539	QDC-6X5.5*	7	240	6	18	5.5	8	120	2.8
G22540	QDC-8X5.5	7	240	8	24	5.5	4-6-8	60-90-120	2.8
G22541	QDC-10X5.5	7	240	10	30	5.5	3-4.5-6	45-67-90	2.8
G22542	QDC-12X5.5	7	240	12	36	5.5	3-4.5-6	45-67-90	2.8
G22543	QDC-14X5.5	7	240	14	42	5.5	2-3-4	30-45-60	2.8
G22544	QDC-16X5.5	7	240	16	48	5.5	2-3-4	30-45-60	2.8
G22545	QDC-18X5.5	7	240	18	54	5.5	1.8-2.6-3.5	25-37-50	2.8
G22997	QDC-20X5.5*	7	240	20	60	5.5	3.5	50	2.8

*Full inflation pressure only is provided on the catheter tag for these products.

3-way stopcock included.

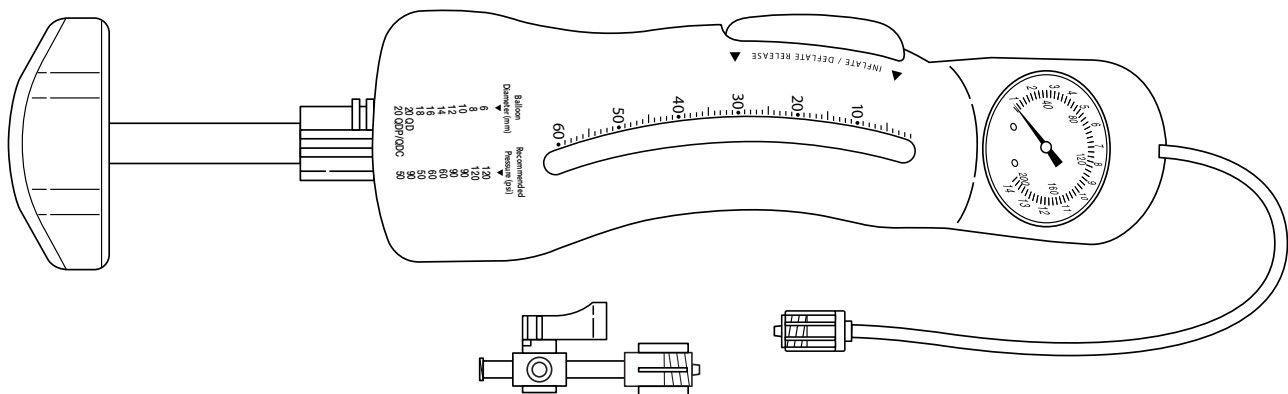
This device is supplied non-sterile.



Quantum™ Inflation Device

Used to inflate, deflate and monitor pressure of the Cook line of balloon dilators during GI balloon dilation.

- Glow in the dark pressure gauge for easy identification
- Inflation information on handle
- Ergonomic handle provides accurate manipulation of pressure for controlled balloon inflation



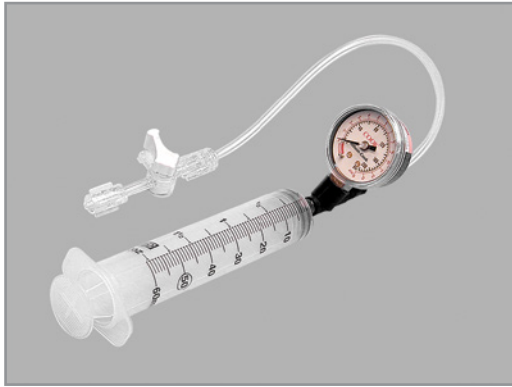
Order Number	Reference Part Number
--------------	-----------------------

G22349	QID-1
--------	-------

To be used with Quantum TTC (page 177), Eclipse Balloon Dilator (page 181), Hercules 3 Stage Balloon (page 175) and Hercules 3 Stage Wire Guided Balloon (page 176).

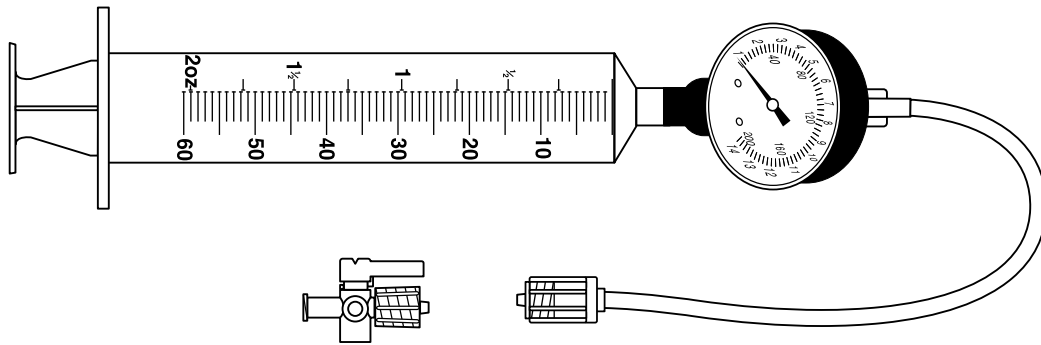
This device is supplied non-sterile and is disposable - intended for single use only.

Esophageal/Gastric/Colonic - Dilation



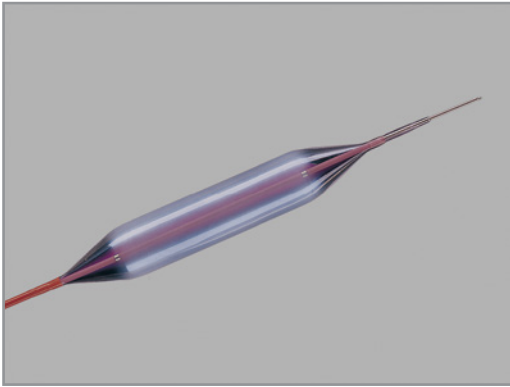
Dilation Syringe

Used to inflate, deflate and monitor pressure of the Cook line of balloon dilators during GI balloon dilation.



Order Number	Reference Part Number	Syringe Capacity cc	Pressure atm	Pressure psi	Box Quantity
G27112	DS-60CC-S	60	14	200	5

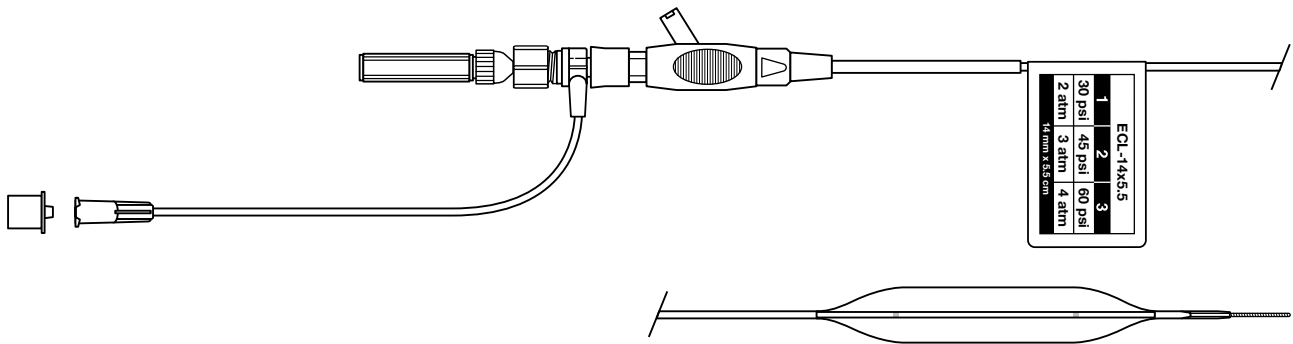
*For use with compatible reusable inflation handles. 3-way stopcock included.
This device is supplied non-sterile.*



Eclipse™ TTC Wire-Guided Balloon Dilator

Used to dilate strictures of the gastrointestinal tract, including strictures of the esophagus, pylorus, duodenum and colon.

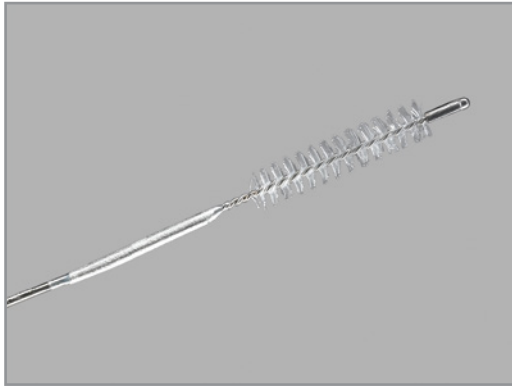
- With one high-performance balloon, perform three dilations with minimal “waisting”
- Graduated pressure information conveniently located on kink-resistant Memory® catheter
- Tapered, flexible atraumatic tip for navigation through tight strictures
- Two radiopaque markers identify body of balloon for excellent visibility of balloon positioning



Order Number	Reference Part Number	Catheter Size Fr	Catheter Length cm	Balloon Diameter mm	Balloon Diameter Fr	Balloon Length cm	Pressure atm	Pressure psi	Minimum Accessory Channel mm
Pyloric/Colonic									
G25636	ECL-6X5.5	7	240	6	18	5.5	8	120	2.8
G25628	ECL-8X5.5	7	240	8	24	5.5	4-6-8	60-90-120	2.8
G25629	ECL-10X5.5	7	240	10	30	5.5	3-4.5-6	45-67-90	2.8
G25630	ECL-12X5.5	7	240	12	36	5.5	3-4.5-6	45-67-90	2.8
G25631	ECL-14X5.5	7	240	14	42	5.5	2-3-4	30-45-60	2.8
G25632	ECL-16X5.5	7	240	16	48	5.5	2-3-4	30-45-60	2.8
G25633	ECL-18X5.5	7	240	18	54	5.5	1.8-2.6-3.5	25-37-50	2.8
G25637	ECL-20X5.5	7	240	20	60	5.5	3.5	50	3.7
Esophageal									
G25634	ECL-6X8	7	240	6	18	8	8	120	2.8
G25622	ECL-8X8	7	240	8	24	8	4-6-8	60-90-120	2.8
G25623	ECL-10X8	7	240	10	30	8	3-4.5-6	45-67-90	2.8
G25624	ECL-12X8	7	240	12	36	8	3-4.5-6	45-67-90	2.8
G25625	ECL-14X8	7	240	14	42	8	2-3-4	30-45-60	2.8
G25626	ECL-16X8	7	240	16	48	8	2-3-4	30-45-60	2.8
G25627	ECL-18X8	7	240	18	54	8	1.8-2.6-3.5	25-37-50	2.8
G25635	ECL-19X8	7	240	19	57	8	3.5	50	3.2

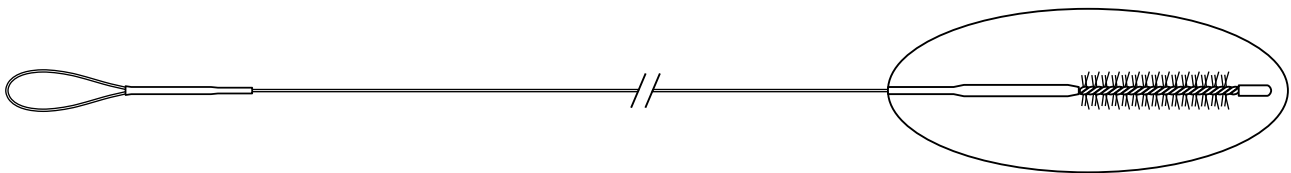
3-way stopcock included. Color connection: purple.
 This device is supplied non-sterile.

Esophageal/Gastric/Colonic - Dilation



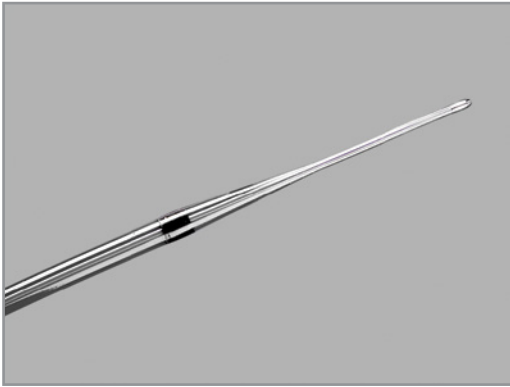
Savary Cleaning Brush

Used to clean the lumen of Savary-Gilliard dilators.



Order Number	Reference Part Number	Brush Diameter mm	Cable Length cm
G22678	SCB-1-S	3	110

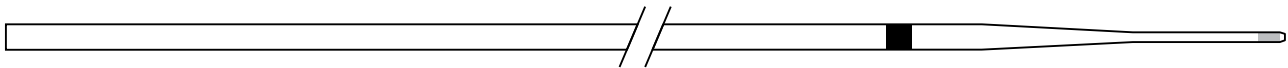
This device is supplied non-sterile.



Savary-Gilliard® Dilator

Used for dilation of gastrointestinal strictures over a previously positioned Savary-Gilliard wire guide.

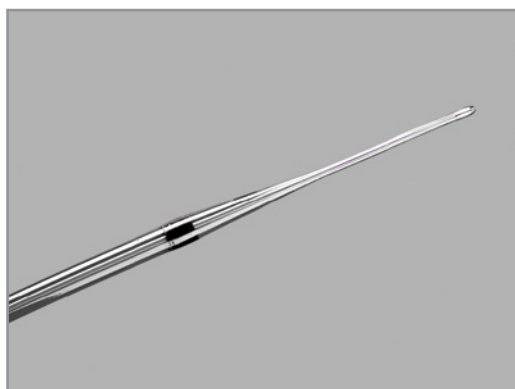
- Metal marker at distal tip and marker at thickest dilation allows for easy fluoroscopic recognition
- Polyvinylchloride molding allows for continuously rigid tubing



Order Number	Reference Part Number	Dilator Diameter Fr	Dilator Diameter mm	Dilator Length cm
G21551	SGD-7-70	21	7	70
G22069	SGD-8-70	24	8	70
G21752	SGD-9-70	27	9	70
G22146	SGD-10-70	30	10	70
G21829	SGD-11-70	33	11	70
G21549	SGD-12-70	36	12	70
G21632	SGD-12.8-70	38	12.8	70
G21750	SGD-14-70	42	14	70
G21470	SGD-15-70	45	15	70
G21968	SGD-16-70	48	16	70
G21690	SGD-17-70	51	17	70
G21383	SGD-18-70	54	18	70
G21894	SGD-19-70	57	19	70
G21607	SGD-20-70	60	20	70

Savary-Gilliard is a registered trademark of Rene Gilliard.

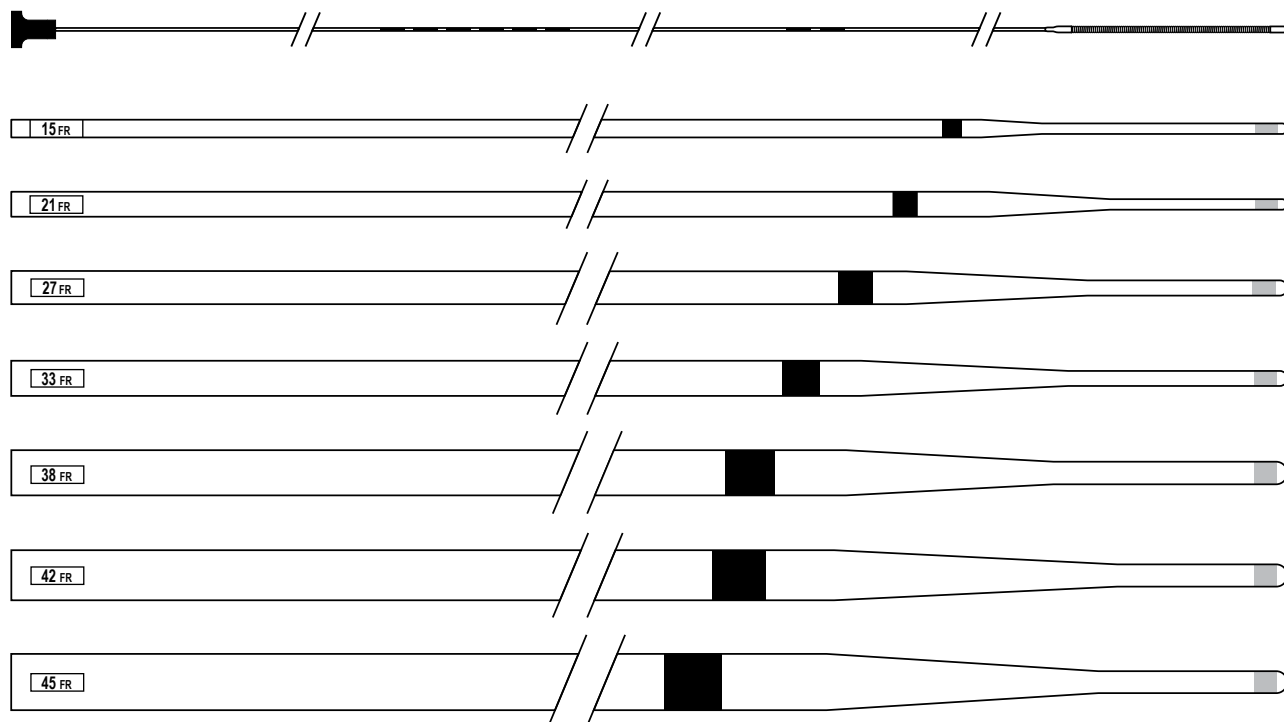
This device is supplied non-sterile and is reusable if the device integrity is intact.



Savary-Gilliard® Dilator Sets

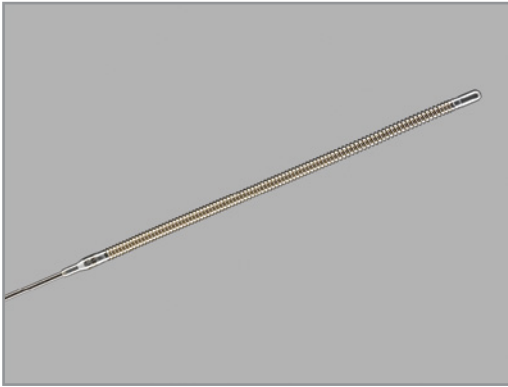
Used for dilation of gastrointestinal strictures over a previously positioned Savary-Gilliard wire guide.

- Set includes a variety of individual sizes and comes in sets 7 or 16
- Packaged set comes with dilators, wire guide, dilator washer and carrying case



Order Number	Reference Part Number	Number of Dilators in Set	Dilator Diameter mm	Dilator Length cm	Wire Guide Length cm
Dilator Sets					
G21634	SGD-70-1*	7	5, 7, 9, 11, 12.8, 14 and 15	70	200
G21635	SGD-70-2*	16	5, 6, 7, 8, 9, 10, 11, 12, 12.8, 14, 15, 16, 17, 18, 19, and 20	70	200
Dilator Carrying Case (Accommodates 10 Dilators)					
G21424	SGDC-1				
Dilator Washer (Reusable if device integrity is intact)					
G21653	SGDW-1				

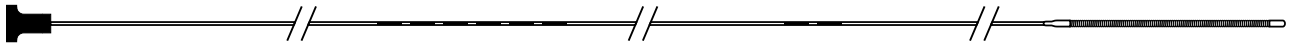
*Contains dilator carrying case and dilator washer.
 Savary-Gilliard is a registered trademark of Rene Gilliard.
 This device is supplied non-sterile and is reusable if the device integrity is intact.



Savary-Gilliard® Wire Guide

Used to introduce Savary-Gilliard dilators.

- Etched markings every 20 cm allows for easy visualization of depth of wire guide insertion
- Flexible spring coil tip allows for atraumatic placement of wire guide

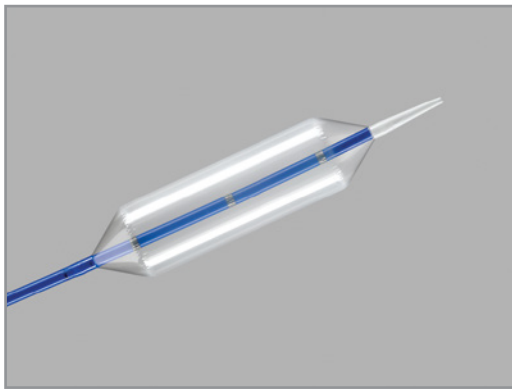


Order Number	Reference Part Number	Wire Guide Length cm	Tip Shape	Wire Type
G22139	SGW-200-SD	200	progressively flexible	stainless steel
G21962	SGW-250-SD	250	progressively flexible	stainless steel
G21978	SGW-360-SD	360	progressively flexible	stainless steel

Savary-Gilliard is a registered trademark of Rene Gilliard.

This device is supplied non-sterile and is reusable if the device integrity is intact.

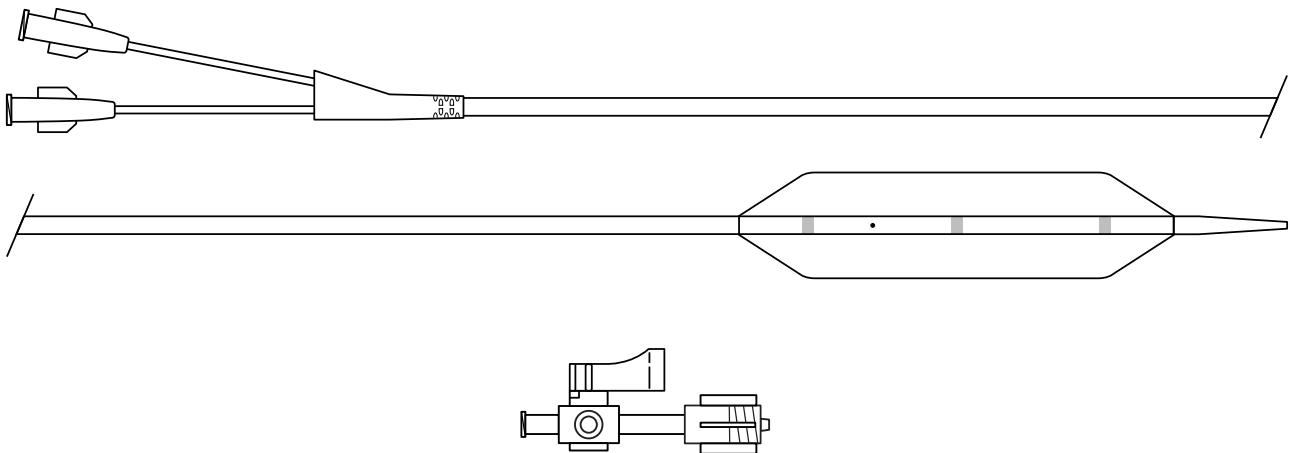
Esophageal/Gastric/Colonic - Dilation



Achalasia Balloon

Used to dilate strictures of the esophagus. Specially indicated for patients with achalasia.

- Three radiopaque markers identify body of balloon for excellent visibility of balloon positioning
- Etched black markers allow for easy visualization of the depth of passage of the balloon

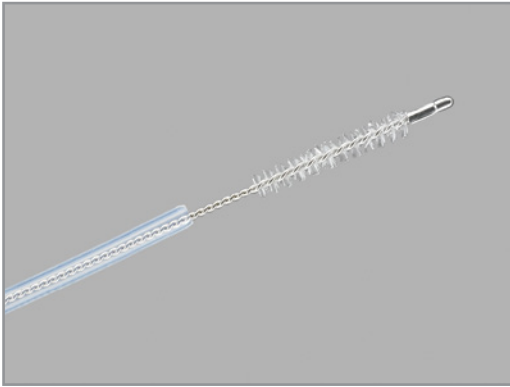


Order Number	Reference Part Number	Catheter Size Fr	Catheter Length cm	Balloon Diameter mm	Balloon Diameter Fr	Balloon Length cm
G24893	WCAB-30	16	75	30	90	8
G24945	WCAB-35	16	75	35	105	8

Recommend 200 cm Savary-Gilliard wire guide (page 185) and Cook Endoscopy Disposable Pressure Gauge, sold separately.

Savary-Gilliard is a registered trademark of Rene Gilliard.

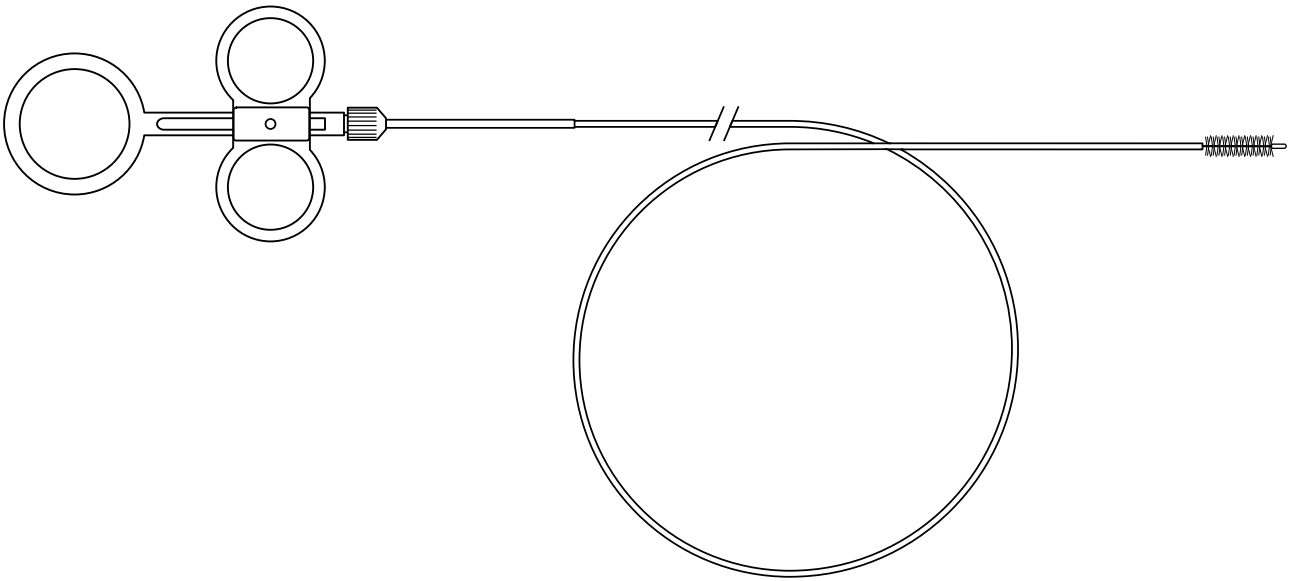
This device is supplied non-sterile.



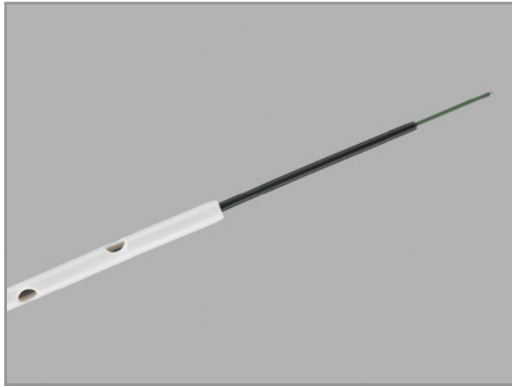
Cytology Brush

Used to collect cells from the bronchi and/or upper and lower gastrointestinal tracts.

- Brush bristles designed for maximum tissue acquisition
- Multiple brush diameters and catheter lengths to meet all your clinical needs

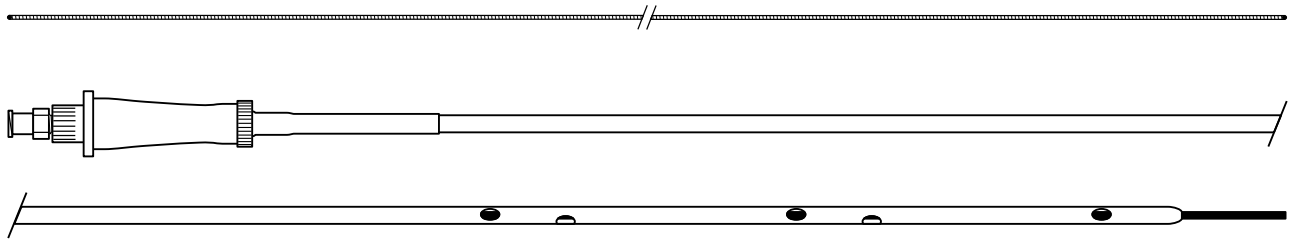


Order Number	Reference Part Number	Sheath Size Fr	Sheath Length cm	Brush Diameter mm	Box Quantity	Minimum Accessory Channel mm	Scope
G22124	BCB-5-120-1-S	5	120	1	10	2	bronchoscope
G22178	BCB-5-120-2-S	5	120	2	10	2	bronchoscope
G21386	BCB-5-120-3-S	5	120	3	10	2	bronchoscope
G22409	ECB-5-180-2-S	5	180	2	10	2	gastroscope
G22174	ECB-5-180-3-S	5	180	3	10	2	gastroscope
G22108	CCB-7-240-3-S	7	240	3	10	2.8	colonoscope

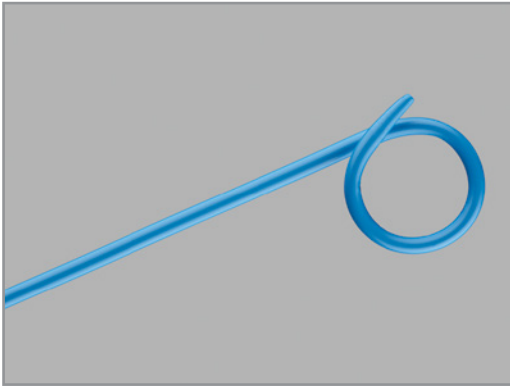


14 Fr Colon Decompression Set

Used for treatment of acute non-toxic megacolon, pseudo-obstruction (Ogilvie's Syndrome) and colonic strictures.

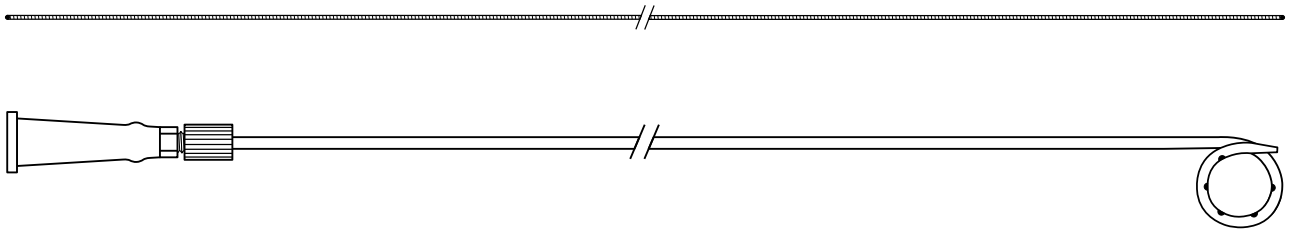


Order Number	Reference Part Number	Drainage Catheter Size Fr	Drainage Catheter Length cm	Number of Drainage Side Ports	Guiding Catheter Size Fr	Guiding Catheter Length cm	Wire Guide Diameter inch	Wire Guide Length cm
G22181	CDSG-14-175	14	175	10	6	182	.035	480

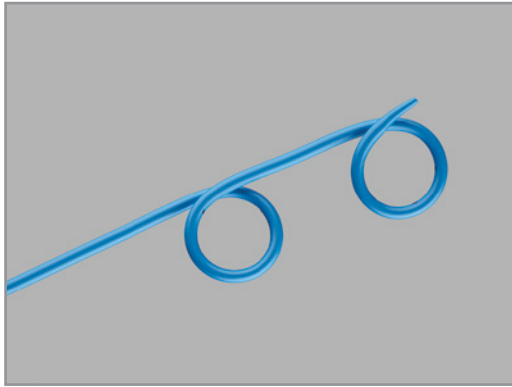


Marcon Colon Decompression Set

Used for treatment of acute non-toxic megacolon, pseudo-obstruction (Ogilvie’s Syndrome) and colonic strictures.

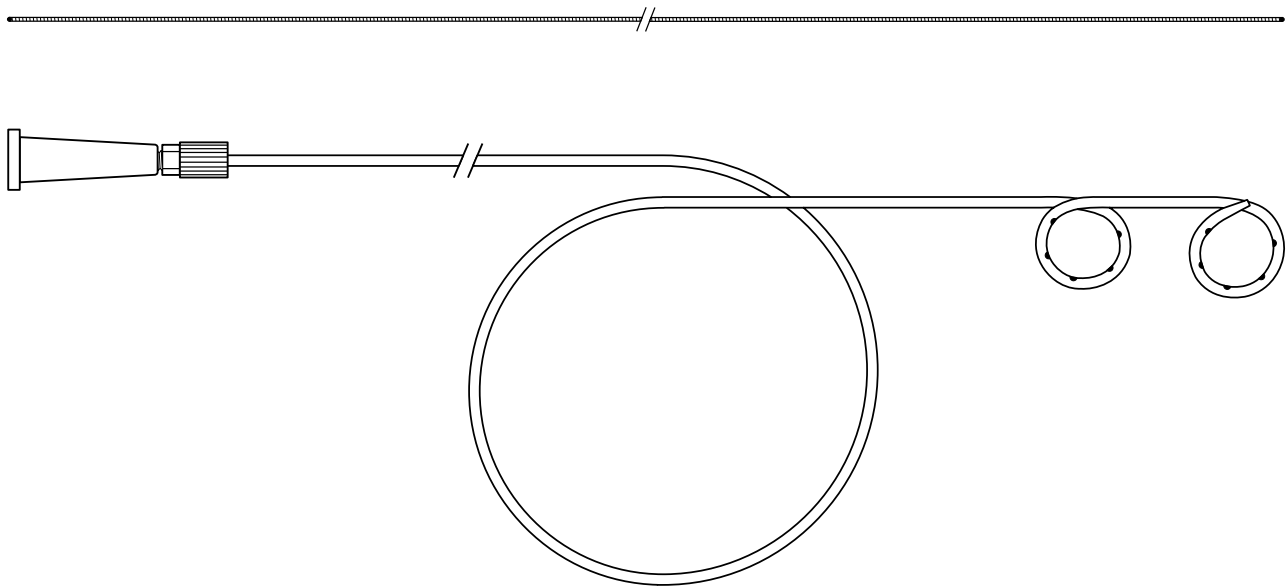


Order Number	Reference Part Number	Drainage Catheter Size Fr	Drainage Catheter Length cm	Number of Drainage Side Ports	Wire Guide Diameter inch	Wire Guide Length cm	Minimum Accessory Channel mm
G21938	CDSM-7	7	350	5	.035	480	2.8
G21709	CDSM-8.5	8.5	350	5	.035	480	3.2
G22218	CDSM-10	10	350	5	.035	480	3.7

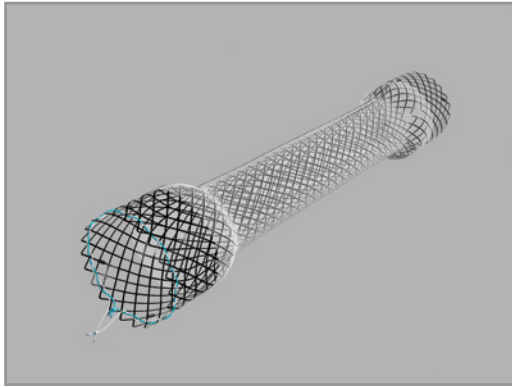


Brodmerkel Colon Decompression Set

Used for treatment of acute non-toxic megacolon, pseudo-obstruction (Ogilvie’s Syndrome) and colonic strictures.



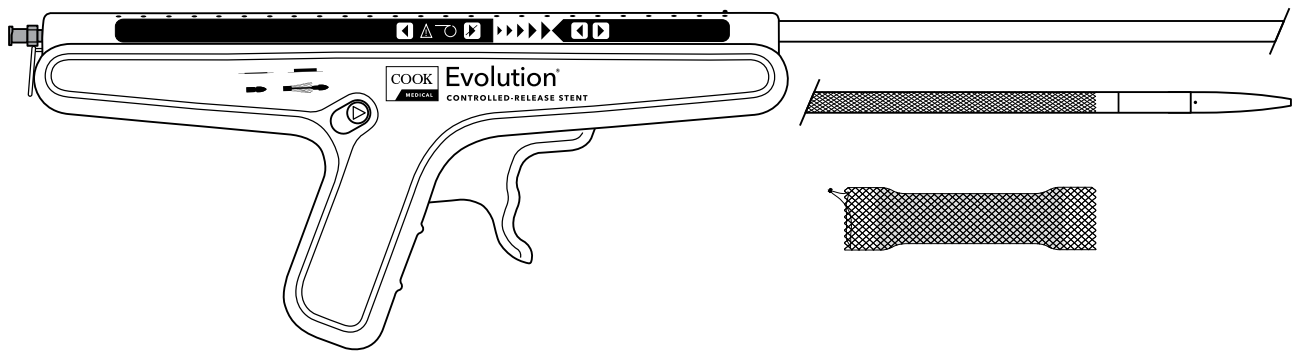
Order Number	Reference Part Number	Drainage Catheter Size Fr	Drainage Catheter Length cm	Number of Drainage Side Ports	Wire Guide Diameter inch	Wire Guide Length cm	Minimum Accessory Channel mm
G21367	CDSB-7	7	350	10	.035	480	2.8
G22214	CDSB-10	10	350	10	.035	480	3.7



Evolution® Esophageal Controlled-Release Stent - Partially Covered

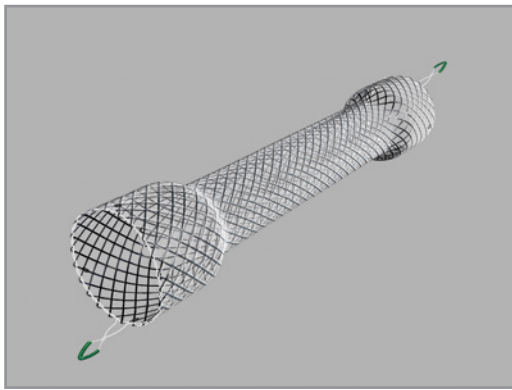
Used to maintain patency of malignant esophageal strictures and/or to seal tracheoesophageal fistulas.

- Uncoated proximal and distal flanges anchor the stent to reduce the risk of migration
- Silicone-encased stent reduces tumor ingrowth and food impaction
- "Lasso" loop on proximal end for repositioning immediately after placement
- Radiopaque markers provide visualization for accurate placement
- Proportional length of stent deployed or recaptured with each trigger squeeze for precise placement



Order Number	Reference Part Number	Stent Body Diameter mm	Stent Flange Diameter mm	Stent Length cm	Delivery System Diameter mm	Delivery System Length cm	Wire Guide Diameter inch
G48030	EVO-20-25-8-E	20	25	8	8	78	.035
G48031	EVO-20-25-10-E	20	25	10	8	78	.035
G48032	EVO-20-25-12.5-E	20	25	12.5	8	78	.035
G48033	EVO-20-25-15-E	20	25	15	8	78	.035

Esophageal/Gastric/Colonic - Metal Stents



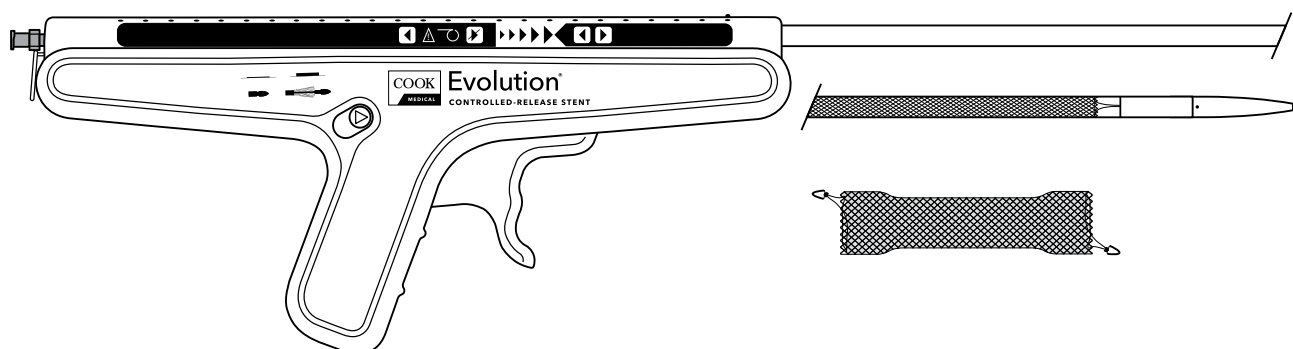
Evolution® Esophageal Controlled-Release Stent - Fully Covered

Now with Benign Indication.

Not for sale in the USA.

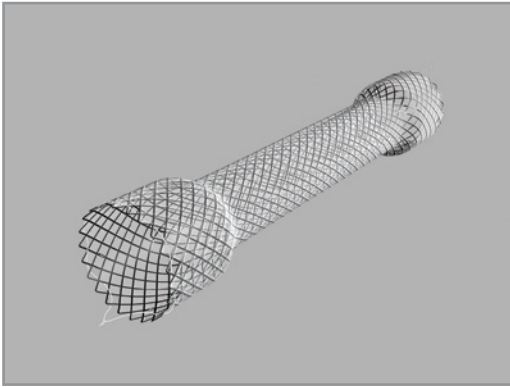
This device is used to maintain luminal patency of the esophagus in cases of: obstruction caused by intrinsic or extrinsic malignancies, refractory benign strictures, or to seal tracheoesophageal fistulas.

- Silicone-encased stent reduces the risk of ingrowth and reduces food impaction
- Silicone coating throughout the length of each stent is designed to enhance treatment of refractory benign strictures and seal esophageal TE fistulas
- Dual lasso loops with endoscopic targets facilitate grasping and collapsing of proximal and distal stent ends for efficient repositioning and removal*
- Proximal and distal flanges reduce the risk of stent migration
- Radiopaque markers provide visualization for accurate placement
- Proportional length of stent deployed or recaptured with each trigger squeeze for precise placement



Order Number	Reference Part Number	Stent Body Diameter mm	Stent Flange Diameter mm	Stent Length cm	Delivery System Diameter mm	Delivery System Length cm	Wire Guide Diameter inch
G55167	EVO-FC-R-18-23-8-E	18	23	8	8	78	.035
G55168	EVO-FC-R-18-23-10-E	18	23	10	8	78	.035
G55169	EVO-FC-R-18-23-12-E	18	23	12	8	78	.035
G55170	EVO-FC-R-20-25-8-E	20	25	8	8	78	.035
G55171	EVO-FC-R-20-25-10-E	20	25	10	8	78	.035
G55172	EVO-FC-R-20-25-12-E	20	25	12	8	78	.035

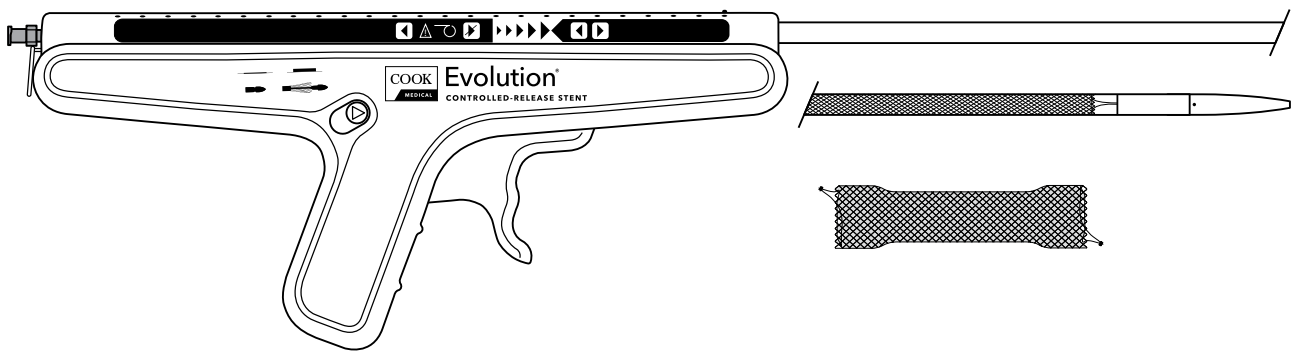
*The safety and effectiveness of leaving this stent in place, or removing the Evolution Esophageal Stent - Fully Covered from a benign lesion beyond 8 weeks has not been established.



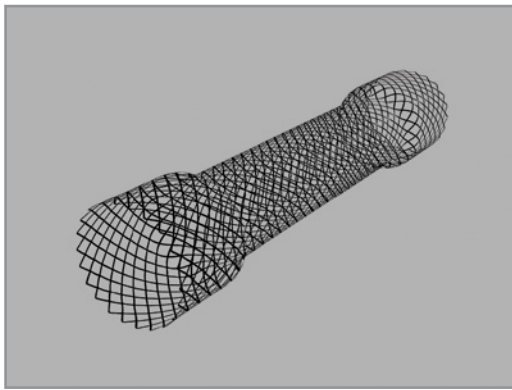
Evolution® Esophageal Controlled-Release Stent - Fully Covered

Used to maintain patency of malignant esophageal strictures and/or to seal tracheoesophageal fistulas.

- Silicone-encased stent reduces tumor ingrowth and food impaction
- Silicone coating throughout the length of each stent is designed to enhance treatment of malignant esophageal TE fistulas
- Dual lasso loops for proximal and distal stent repositioning immediately after placement
- Proximal and distal flanges reduce the risk of stent migration
- Radiopaque markers provide visualization for accurate placement
- Proportional length of stent deployed or recaptured with each trigger squeeze for precise placement



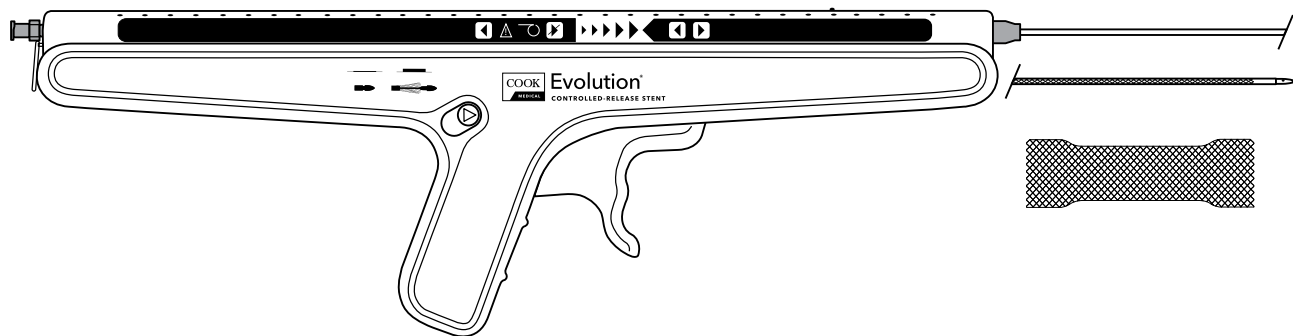
Order Number	Reference Part Number	Stent Body Diameter mm	Stent Flange Diameter mm	Stent Length cm	Delivery System Diameter mm	Delivery System Length cm	Wire Guide Diameter inch
G51181	EVO-FC-18-23-8-E	18	23	8	8	78	.035
G51182	EVO-FC-18-23-10-E	18	23	10	8	78	.035
G51183	EVO-FC-18-23-12-E	18	23	12	8	78	.035
G52225	EVO-FC-20-25-8-E	20	25	8	8	78	.035
G52227	EVO-FC-20-25-10-E	20	25	10	8	78	.035
G52226	EVO-FC-20-25-12-E	20	25	12	8	78	.035



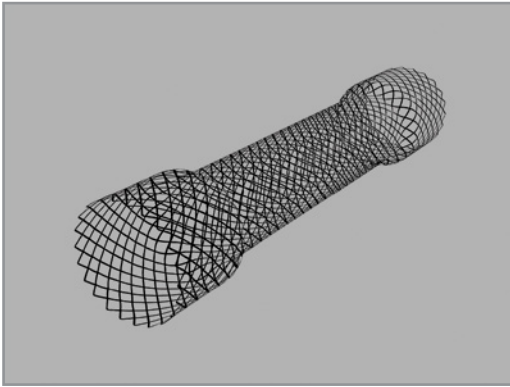
Evolution® Duodenal Controlled-Release Stent - Uncovered

Used for palliative treatment of duodenal or gastric outlet obstruction or strictures caused by malignant neoplasms.

- Stent designed with 18 crowns for enhanced, evenly distributed radial force and better wall apposition
- Flexor® Kink-Resistant Technology delivers excellent pushability for difficult anatomical challenges
- Braided-to-coiled construction allows for efficient trackability and maneuverability for deployment in difficult angulations
- Coiled portion provides excellent stability at the crucial point near the proximal end of stent
- Yellow, highly visible endoscopic marker defines proximal end of stent to facilitate accurate placement
- Each squeeze of the trigger deploys - or recaptures - a proportional length of stent



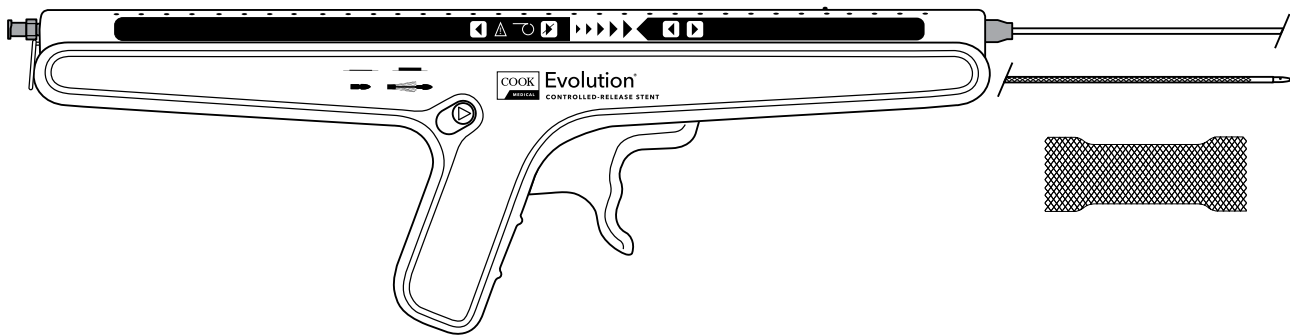
Order Number	Reference Part Number	Stent Body Diameter mm	Stent Flange Diameter mm	Stent Length cm	Delivery System Diameter Fr	Delivery System Length cm	Wire Guide Diameter inch	Minimum Accessory Channel mm
G48025	EVO-22-27-6-D	22	27	6	10	230	.035	3.7
G48026	EVO-22-27-9-D	22	27	9	10	230	.035	3.7
G48027	EVO-22-27-12-D	22	27	12	10	230	.035	3.7



Evolution® Colonic Controlled-Release Stent - Uncovered

Used for palliative treatment of colonic obstruction or colonic strictures caused by malignant neoplasms, and to relieve large bowel obstruction prior to colectomy in patients with malignant strictures.

- Stent designed with 20 crowns for enhanced, evenly distributed radial force and better wall apposition
- Flexor® Kink-Resistant Technology delivers excellent pushability for difficult anatomical challenges
- Braided-to-coiled construction allows for efficient trackability and maneuverability for deployment in difficult angulations
- Coiled portion provides excellent stability at the crucial point near the proximal end of stent
- Yellow, highly visible endoscopic marker defines proximal end of stent to facilitate accurate placement
- Each squeeze of the trigger deploys - or recaptures - a proportional length of stent



Order Number	Reference Part Number	Stent Body Diameter mm	Stent Flange Diameter mm	Stent Length cm	Delivery System Diameter Fr	Delivery System Length cm	Wire Guide Diameter inch	Minimum Accessory Channel mm
G48029	EVO-25-30-6-C	25	30	6	10	230	.035	3.7
G48028	EVO-25-30-8-C	25	30	8	10	230	.035	3.7
G48038	EVO-25-30-10-C	25	30	10	10	230	.035	3.7

Esophageal/Gastric/Colonic - Metal Stents

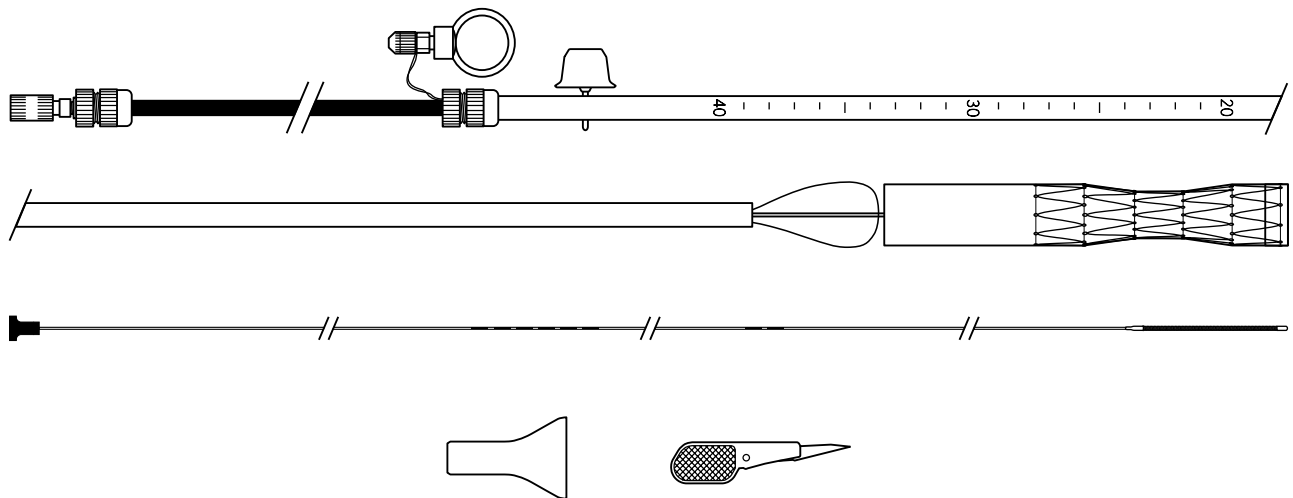


Esophageal Z-Stent® with Dua Anti-Reflux Valve

Used to maintain patency of malignant esophageal strictures and to seal tracheoesophageal fistulas.

This device is supplied non-sterile.

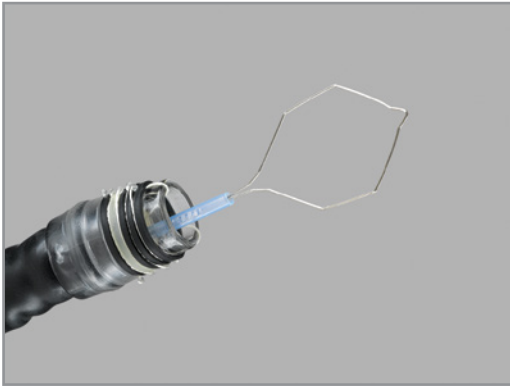
- “Windsock” design may reduce the possibility of gastroesophageal reflux and aspiration
- Non-shortening stent assures accurate placement
- Uncoated proximal 25 mm flange potentially reduces the risk of migration



Order Number	Reference Part Number	Stent Flared End Diameter mm	Stent Shaft Diameter mm	Stent Length cm	Delivery System Diameter Fr	Delivery System Length cm
G24869	EZS-25-8-70-AR	25	18	8	31	70
G24870	EZS-25-10-70-AR	25	18	10	31	70
G24871	EZS-25-12-70-AR	25	18	12	31	70
G24872	EZS-25-14-70-AR	25	18	14	31	70

Savary-Gilliard Wire Guide included. Savary-Gilliard is a registered trademark of Rene Gilliard.

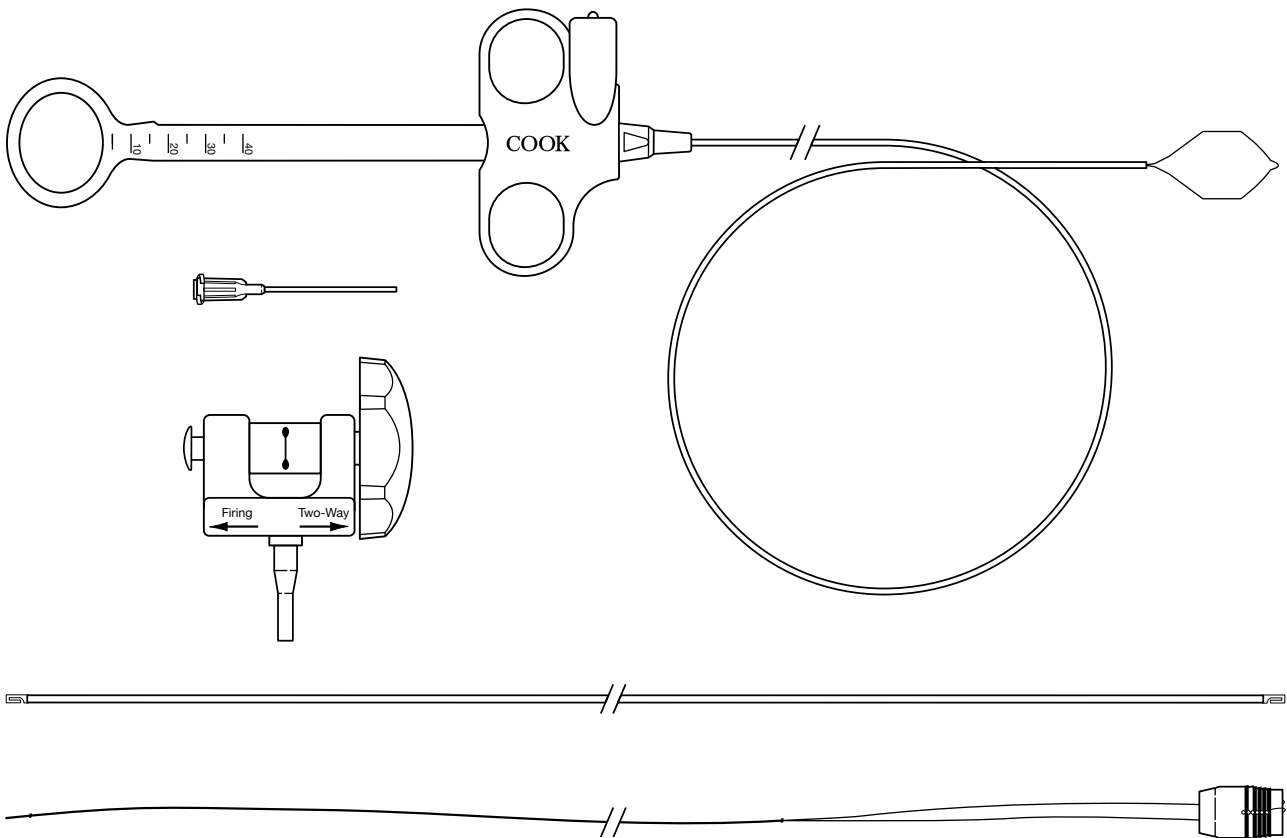
This device is supplied non-sterile.



Duette® Multi-Band Mucosectomy

Used for endoscopic mucosal resection in the upper GI tract.

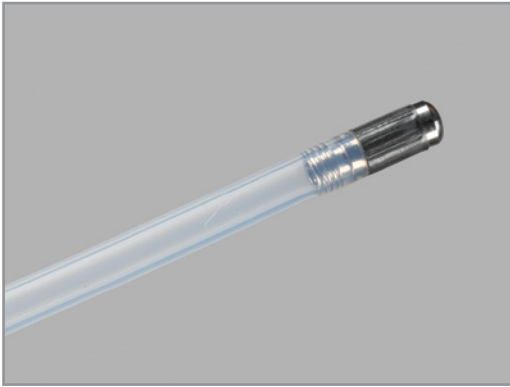
- Easy set-up, similar to Saeed Six-Shooter® Multi-Band Ligator
- Six latex rubber bands for resection of large lesions
- Soft, mini-hexagonal, braided snare cuts cleanly and has excellent shape retention even with repeated resections
- Snare available in 5 Fr and 7 Fr sizes
- Snare is passed through ligator handle allowing for speedy resection of ligated tissue without removal of endoscope or disassembly of components



Order Number	Reference Part Number	Endoscope Outer Diameter mm	Sheath Size Fr	Snare Size cm	Number of Bands	Minimum Accessory Channel mm
G35129	DT-6-5F	9.5-13	5	1.5 x 2.5	6	2.8
G34036	DT-6	9.5-13	7	1.5 x 2.5	6	3.7
G34054	DT-6-XL	11-14	7	1.5 x 2.5	6	3.7

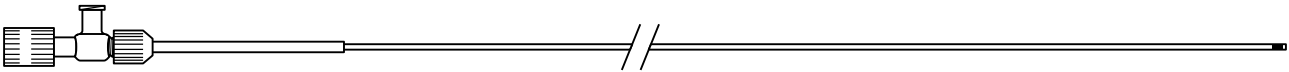
Caution: This product contains natural rubber latex, which may cause allergic reactions.

Esophageal/Gastric/Colonic - Spray Catheter

**Glo-Tip® Spray Catheter**

Used in conjunction with an endoscope to spray the gastrointestinal mucosa.

- 7 Fr Teflon® sheath provides low coefficient to friction for ease of insertion, allows for even flow of staining solution
- Radiopaque tip enhances fluoroscopic visualization, if needed
- Smooth metal spray tip is atraumatic to mucosa
- Disposability eliminates cleaning and reprocessing costs, saves time



Order Number	Reference Part Number	Catheter Size Fr	Catheter Length cm	Stylet Length cm	Minimum Accessory Channel mm
G24892	GT-7-SPRAY	7	240	100	2.8

With radiopaque spray tip.

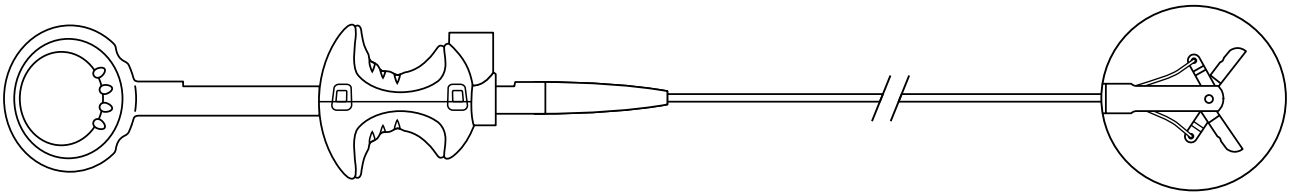
Teflon is a registered trademark of DuPont Corporation.



Captura® Disposable Bronchoscope Biopsy Forceps

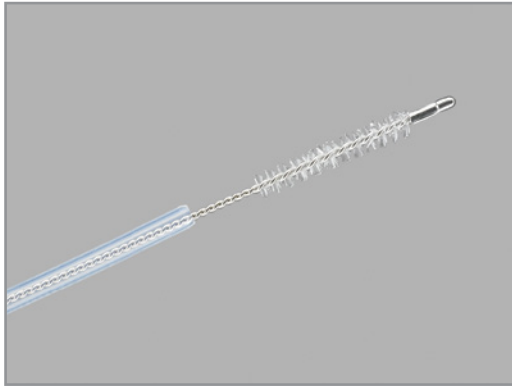
Used in obtaining biopsy samples in the bronchi and lungs.

- Disposable device eliminates cleaning and reprocessing
- Surgical edges and fenestrated 1.8 mm diameter cups for tissue acquisition
- Smooth, sheath operation facilitates ease of passage through the bronchoscope



Order Number	Reference Part Number	Cup Diameter mm	Catheter Length cm	Forceps Type	Cup Edge	Box Quantity	Scope Type	Minimum Accessory Channel mm	Color Code
G47742	DBF-1.8-S	1.8	110	fenestrated	non-serrated	10	bronchoscope	2	blue

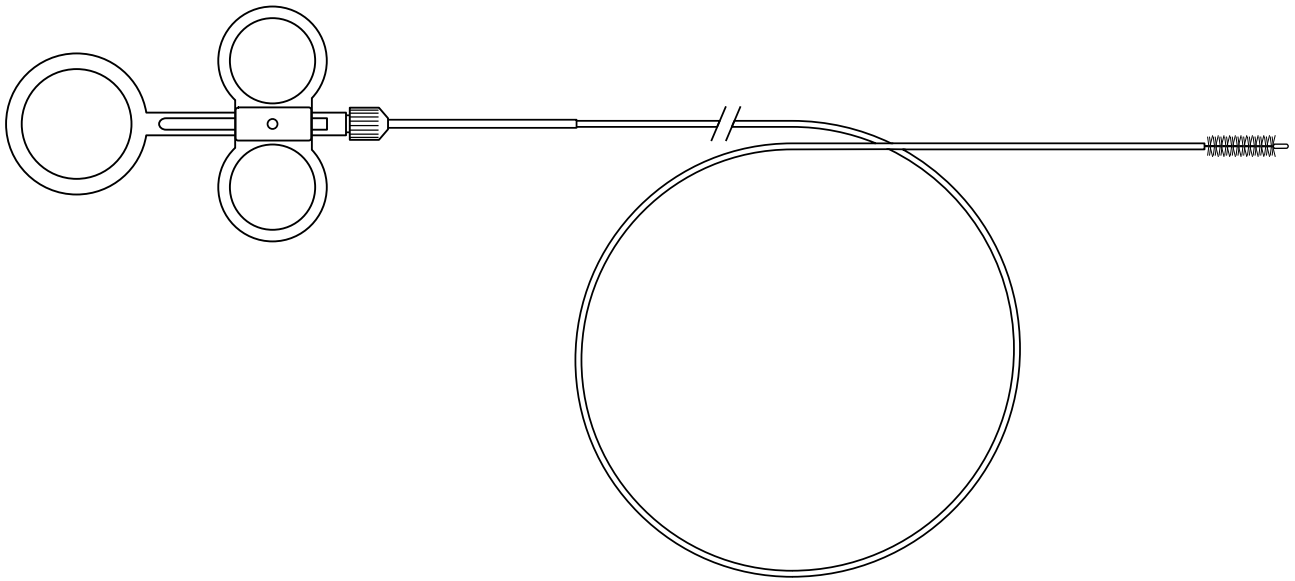
Pulmonary - Cytology Brush



Cytology Brush

Used to collect cells from the bronchi.

- Brush bristles designed for maximum tissue acquisition
- Multiple brush diameters and catheter lengths to meet all your clinical needs



Order Number	Reference Part Number	Sheath Size Fr	Sheath Length cm	Brush Diameter mm	Brush Length cm	Box Quantity	Minimum Accessory Channel mm	Color Code
G22124	BCB-5-120-1-S	5	120	1	5	10	2	blue
G22178	BCB-5-120-2-S	5	120	2	5	10	2	blue
G21386	BCB-5-120-3-S	5	120	3	5	10	2	blue

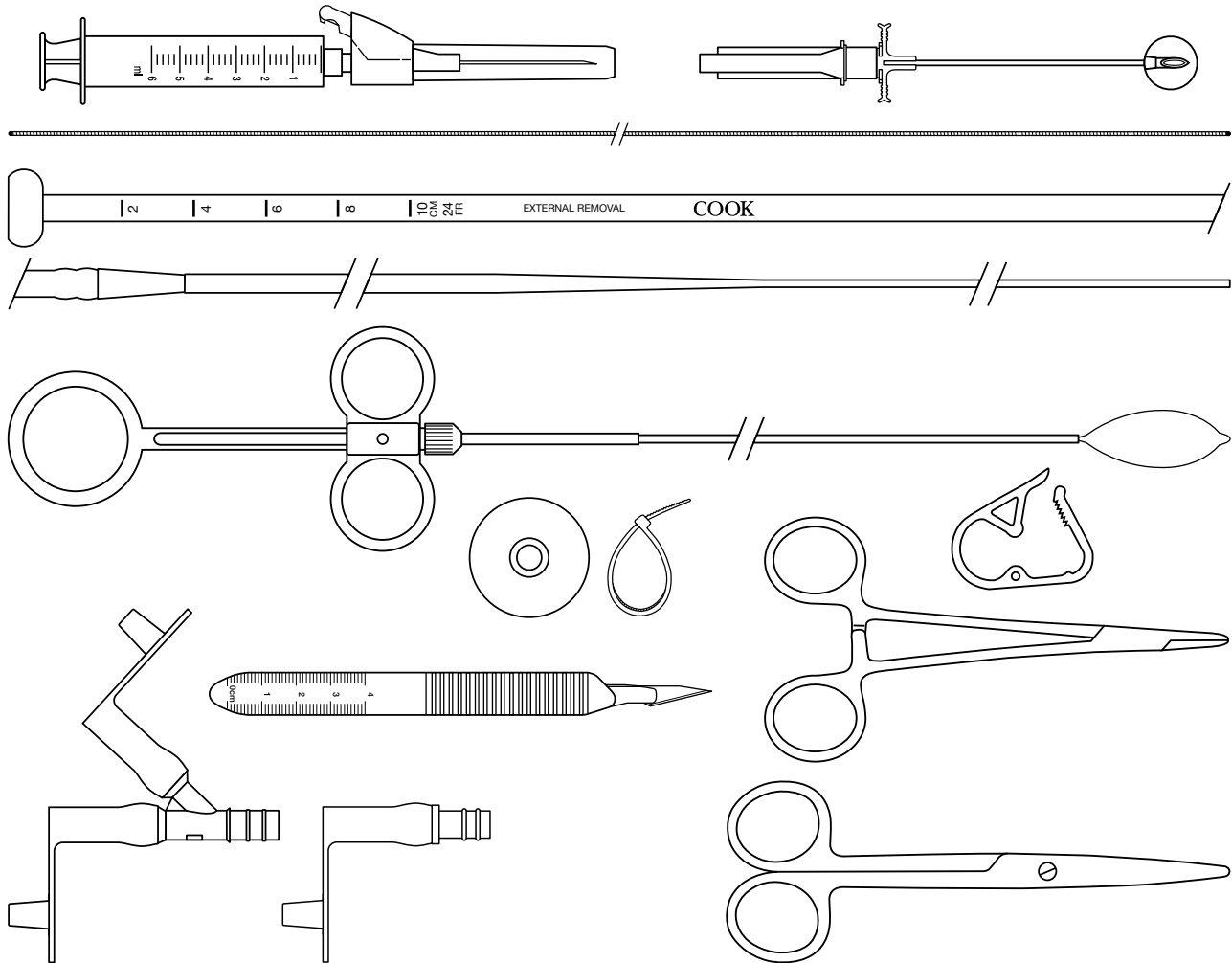
Used with bronchoscope.



PEG 24® Push Method with Safety Sharps

Available for sale in the USA only.

Used for percutaneous endoscopic placement to provide enteral nutrition to patients requiring nutritional support.



Order Number	Reference Part Number	Feeding Tube Size Fr	Feeding Tube Inside Diameter mm	Wire Guide Diameter inch	Insertion Wire Length cm
G31548	PEG-24-PUSH-SSK-5	24	5.5	.035	260

Includes safety components.

COMPONENT LIST:

- 1 fenestrated drape
- 1 150 cm looped insertion wire (pull only)
- 1 260 cm wire guide (push only)
- 1 cold snare
- 1 silicone feeding tube
- 5 gauze pads, 4" x 4"
- 1 scissors
- 1 hemostat
- 1 bolster
- 1 tube clamp
- 1 universal adapter
- 1 Bolus adapter
- 1 twist lock
- 1 cable tie
- 1 Bolus feeding adapter – male (-I products only)
- 1 patient care manual
- 1 #11 scalpel
- 1 trocar needle
- 2 water soluble lubricant[‡]
- 1 22 gage x 1½" needle
- 1 25 gage x 5/8" needle
- 1 ChlorPrep® swabs
- 1 Povidone ointment
- 1 syringe

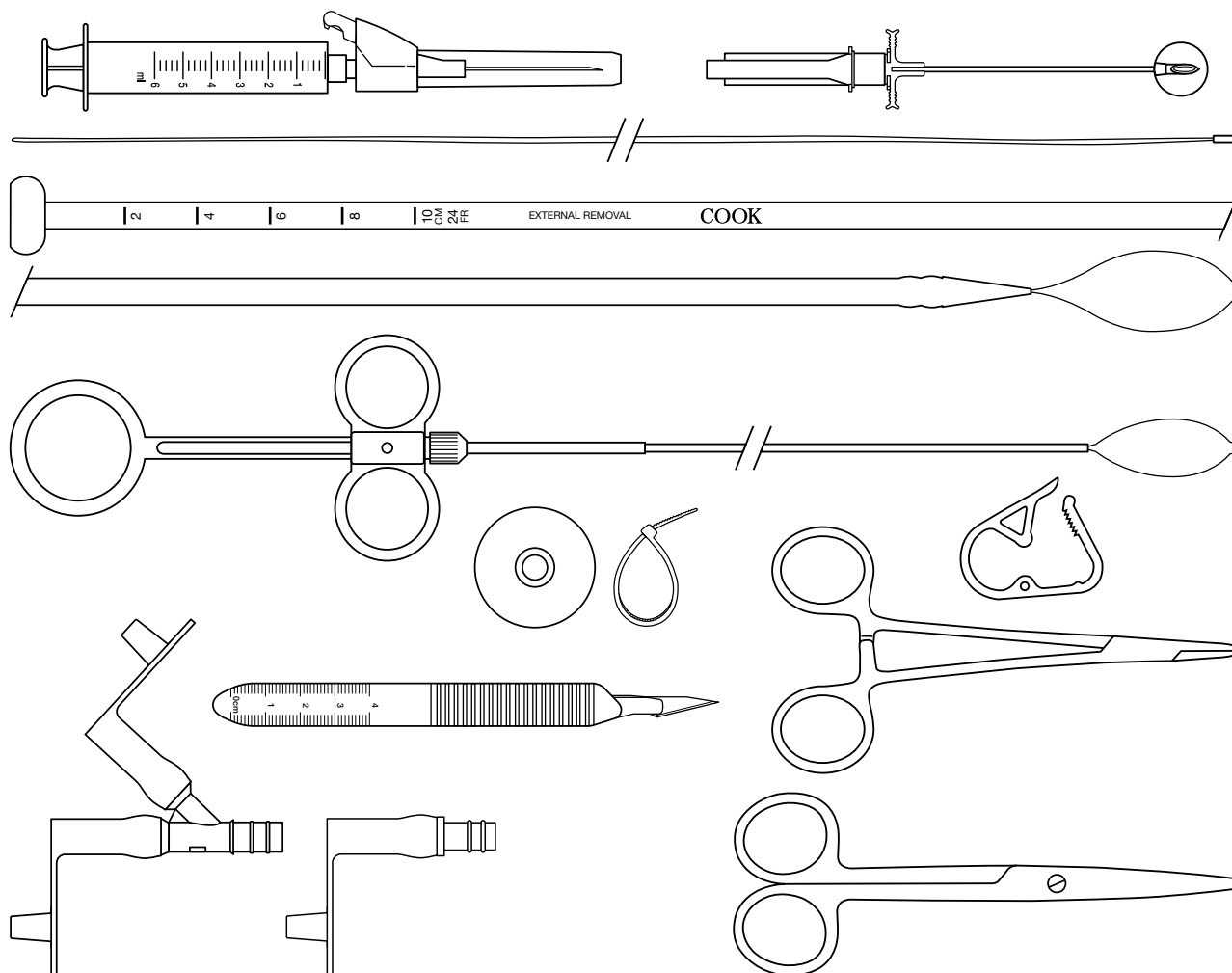
Enteral - PEG/PEGJ



PEG 24® Pull Method with Safety Sharps

Available for sale in the USA only.

Used for percutaneous endoscopic placement to provide enteral nutrition to patients requiring nutritional support.

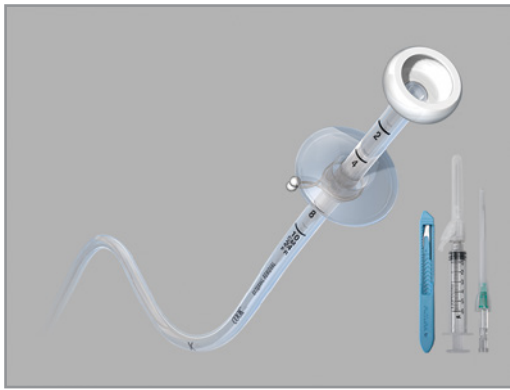


Order Number	Reference Part Number	Feeding Tube Size Fr	Feeding Tube Inside Diameter mm	Insertion Wire Length cm
G56402	PEG-24-PULL-SSK-S-T	24	5.5	150

Includes safety components.

COMPONENT LIST:

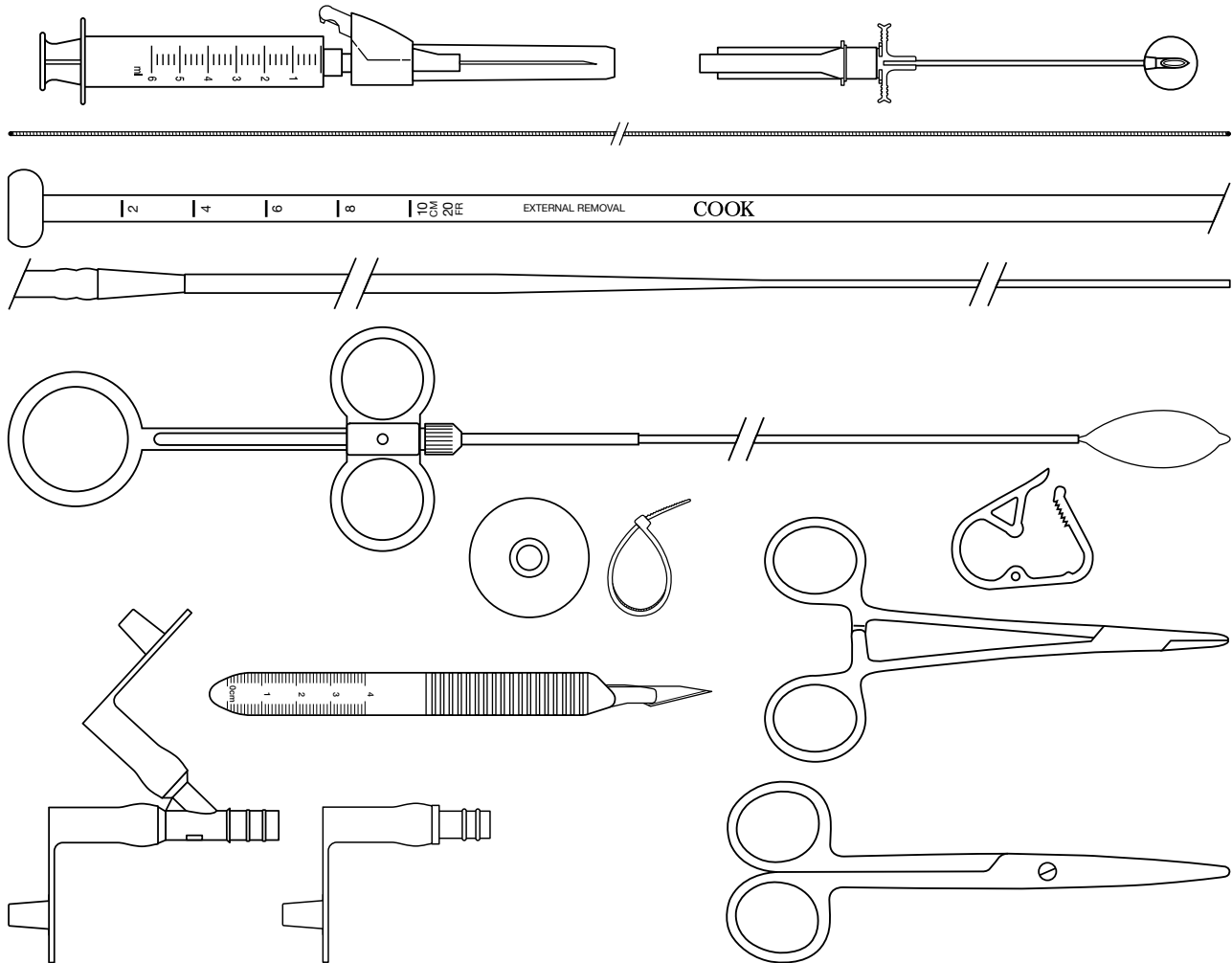
- 1 fenestrated drape
- 1 150 cm looped insertion wire (pull only)
- 1 260 cm wire guide (push only)
- 1 cold snare
- 1 silicone feeding tube
- 5 gauze pads, 4" x 4"
- 1 scissors
- 1 hemostat
- 1 bolster
- 1 tube clamp
- 1 universal adapter
- 1 Bolus adapter
- 1 twist lock
- 1 cable tie
- 1 Bolus feeding adapter – male (-I products only)
- 1 patient care manual
- 1 #11 scalpel
- 1 trocar needle
- 2 water soluble lubricant[‡]
- 1 22 gage x 1½" needle
- 1 25 gage x 5/8" needle
- 1 ChlorPrep® swabs
- 1 Povidone ointment
- 1 syringe



Flow 20® Push Method with Safety Sharps

Available for sale in the USA only.

Used for percutaneous endoscopic placement to provide enteral nutrition to patients requiring nutritional support.



Order Number	Reference Part Number	Feeding Tube Size Fr	Feeding Tube Inside Diameter mm	Wire Guide Diameter inch	Insertion Wire Length cm
G31543	FLOW-20-PUSH-SSK-S	20	4.47	.035	260

Includes safety components.

COMPONENT LIST:

- 1 fenestrated drape
- 1 150 cm looped insertion wire (pull only)
- 1 260 cm wire guide (push only)
- 1 cold snare
- 1 silicone feeding tube
- 5 gauze pads, 4" x 4"
- 1 scissors
- 1 hemostat
- 1 bolster
- 1 tube clamp
- 1 universal adapter
- 1 Bolus adapter
- 1 twist lock
- 1 cable tie
- 1 Bolus feeding adapter – male (-I products only)
- 1 patient care manual
- 1 #11 scalpel
- 1 trocar needle
- 2 water soluble lubricant[‡]
- 1 22 gage x 1½" needle
- 1 25 gage x 5/8" needle
- 1 ChloraPrep® swabs
- 1 Povidone ointment
- 1 syringe

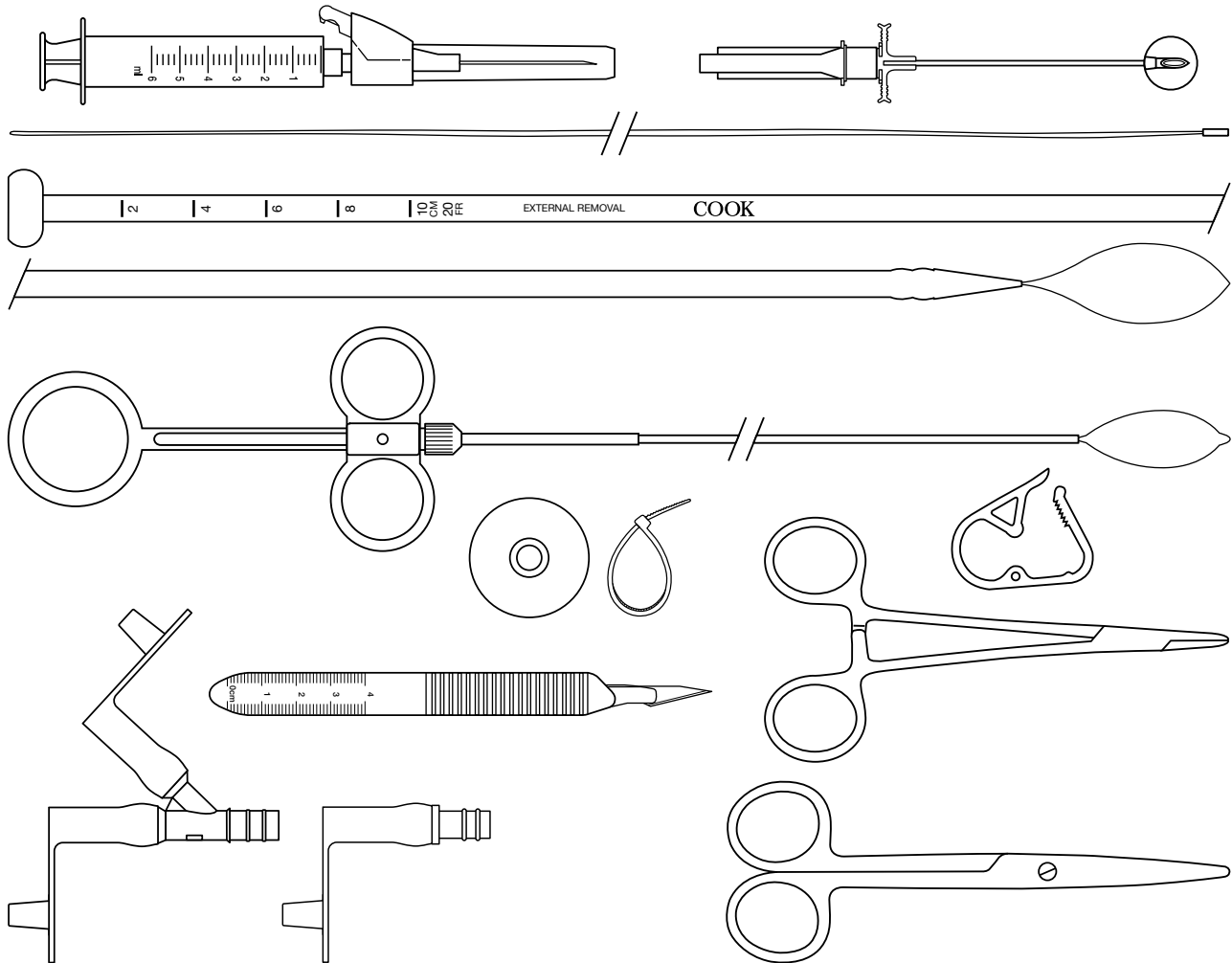
Enteral - PEG/PEGJ



Flow 20® Pull Method with Safety Sharps

Available for sale in the USA only.

Used for percutaneous endoscopic placement to provide enteral nutrition to patients requiring nutritional support.



Order Number	Reference Part Number	Feeding Tube Size Fr	Feeding Tube Inside Diameter mm	Insertion Wire Length cm
G56403	FLOW-20-PULL-SSK-S-T	20	4.47	150

Includes safety components.

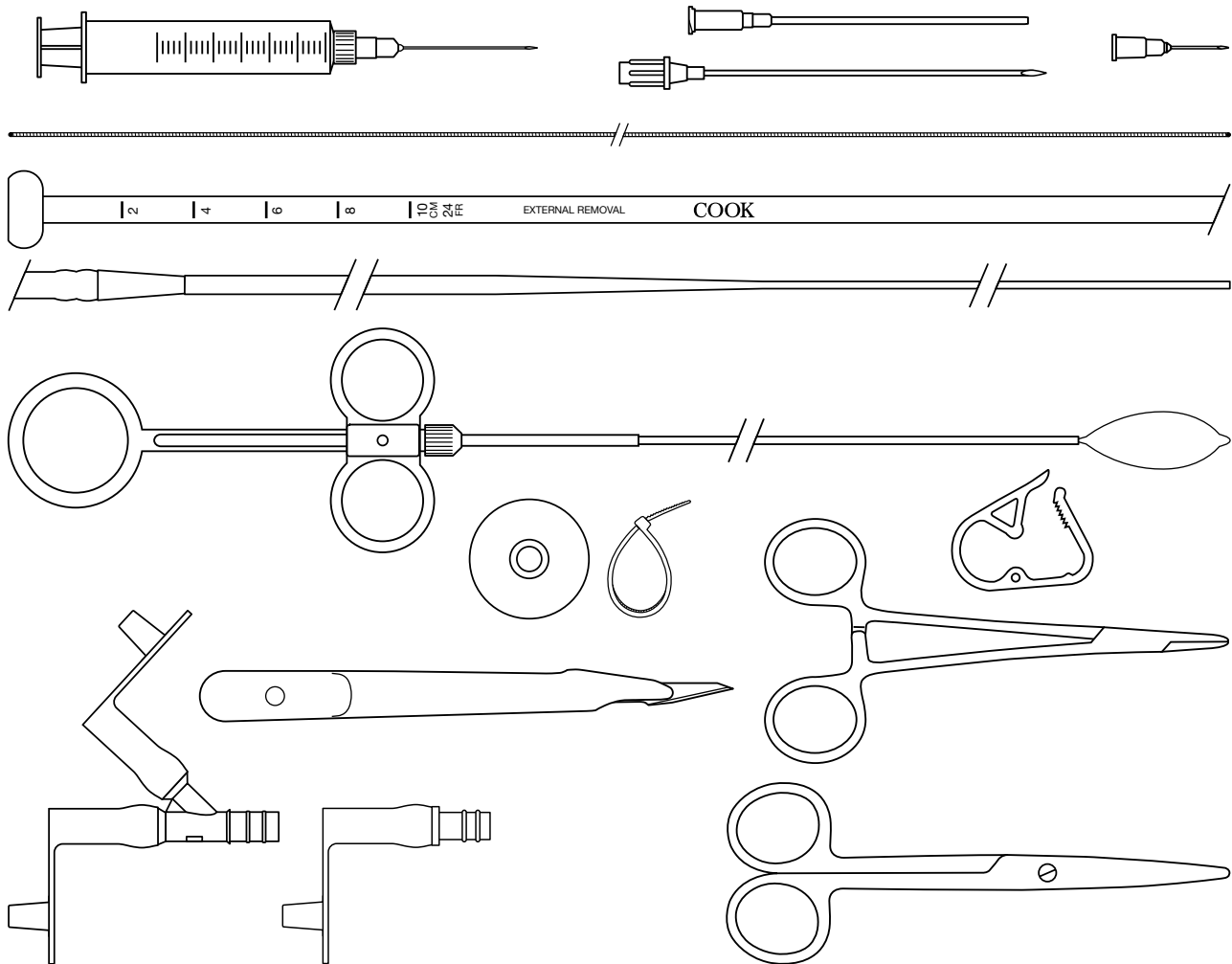
COMPONENT LIST:

- | | | | |
|--|---------------------|---|-------------------------|
| 1 fenestrated drape | 1 hemostat | 1 Bolus feeding adapter – male (-I products only) | 1 22 gage x 1½” needle |
| 1 150 cm looped insertion wire (pull only) | 1 bolster | 1 patient care manual | 1 25 gage x 5/8” needle |
| 1 260 cm wire guide (push only) | 1 tube clamp | 1 #11 scalpel | 1 ChlorPrep® swabs |
| 1 cold snare | 1 universal adapter | 1 trocar needle | 1 Povidone ointment |
| 1 silicone feeding tube | 1 Bolus adapter | 2 water soluble lubricant [‡] | 1 syringe |
| 5 gauze pads, 4” x 4” | 1 twist lock | | |
| 1 scissors | 1 cable tie | | |



PEG 24® Push Method

Used for percutaneous endoscopic placement to provide enteral nutrition to patients requiring nutritional support.



Order Number	Reference Part Number	Feeding Tube Size Fr	Feeding Tube Inside Diameter mm	Wire Guide Diameter inch	Insertion Wire Length cm	Box Quantity
G22635	PEG-24-PUSH-S	24	5.5	.035	260	1
G22758	PEG-24-PUSH-I-S*	24	5.5	.035	260	1

*Does not include pharmaceuticals.

COMPONENT LIST:

- | | | | |
|-------------------------|---------------------|---|----------------------------------|
| 1 fenestrated drape | 1 hemostat | 1 cable tie | 1 25 gage x 5/8" needle† |
| 1 260 cm wire guide | 1 bolster | 1 Bolus feeding adapter – male (-I products only) | 1 Povidone ointment† |
| 1 cold snare | 1 tube clamp | 1 patient care manual | 1 Xylocaine 1%, 5 ml glass vial† |
| 1 silicone feeding tube | 1 universal adapter | 2 water soluble lubricant† | 1 syringe† |
| 5 gauze pads, 4" x 4" | 1 Bolus adapter | 1 22 gage x 1½" needle† | |
| 1 scissors | 1 twist lock | | |

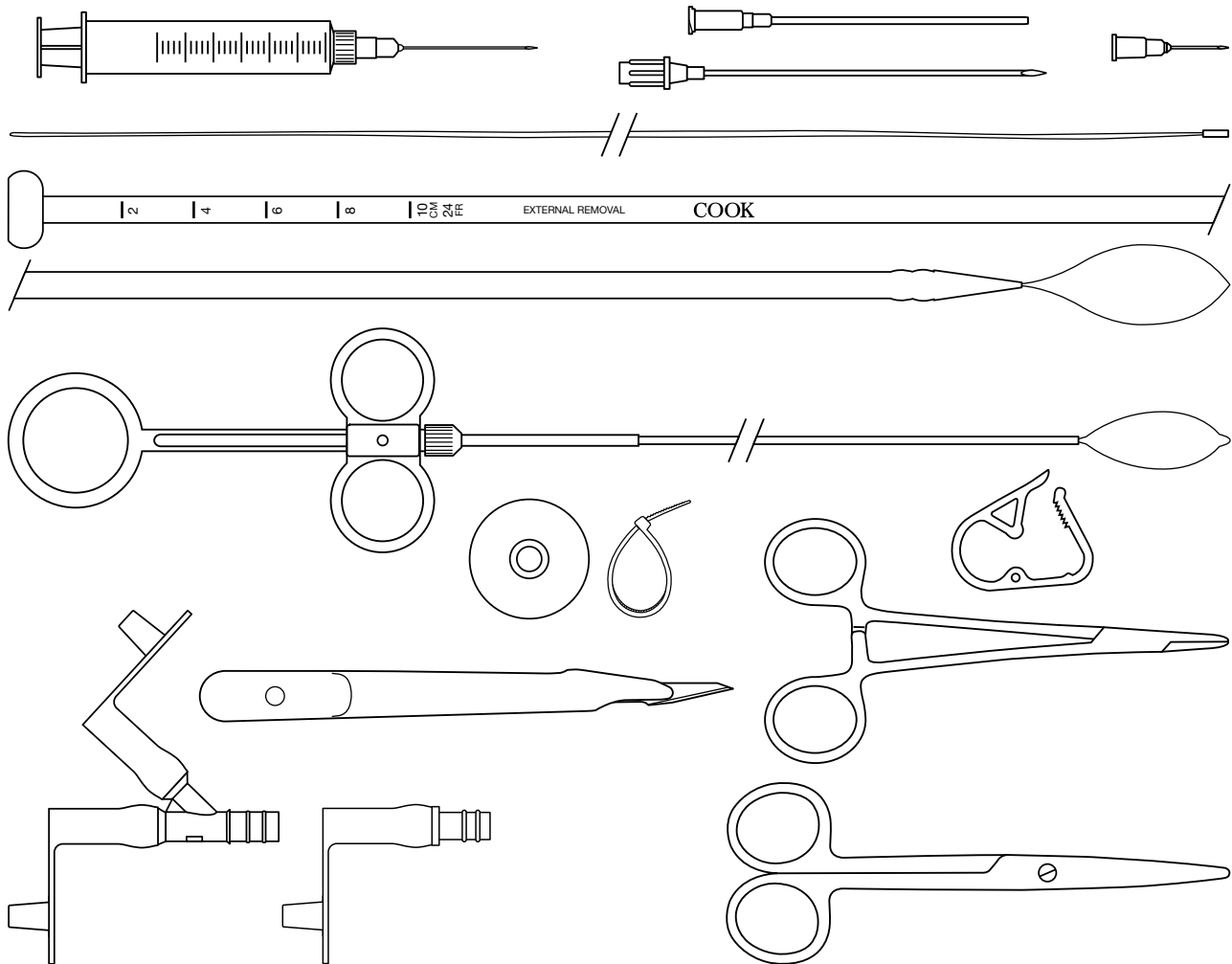
†These components are not included in the products with "-I" in the RPN.

Enteral - PEG/PEGJ



PEG 24® Pull Method

Used for percutaneous endoscopic placement to provide enteral nutrition to patients requiring nutritional support.



Order Number	Reference Part Number	Feeding Tube Size Fr	Feeding Tube Inside Diameter mm	Insertion Wire Length cm	Box Quantity
G22636	PEG-24-PULL-S	24	5.5	150	1
G22757	PEG-24-PULL-I-S*	24	5.5	150	1

*Does not include pharmaceuticals.

COMPONENT LIST:

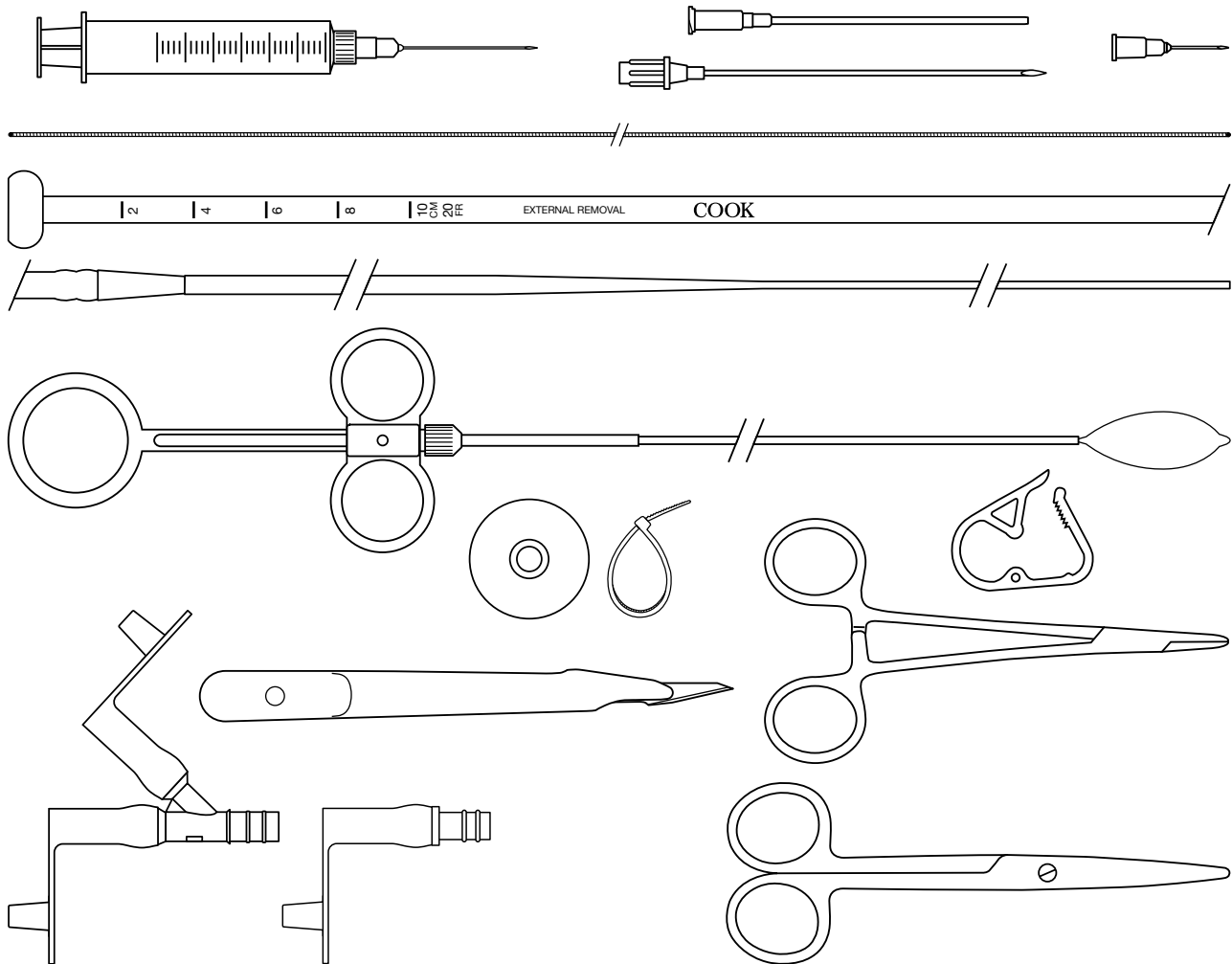
- | | | | |
|--------------------------------|---------------------|---|----------------------------------|
| 1 fenestrated drape | 1 scissors | 1 twist lock | 1 22 gage x 1½" needle† |
| 1 150 cm looped insertion wire | 1 hemostat | 1 cable tie | 1 25 gage x 5/8" needle† |
| 1 cold snare | 1 bolster | 1 Bolus feeding adapter – male (-I products only) | 1 Povidone ointment† |
| 1 silicone feeding tube | 1 tube clamp | 1 patient care manual | 1 Xylocaine 1%, 5 ml glass vial† |
| 5 gauze pads, 4" x 4" | 1 universal adapter | 2 water soluble lubricant† | 1 syringe† |
| | 1 Bolus adapter | | |

†These components are not included in the products with "-I" in the RPN.



Flow 20® Push Method

Used for percutaneous endoscopic placement to provide enteral nutrition to patients requiring nutritional support.



Order Number	Reference Part Number	Feeding Tube Size Fr	Feeding Tube Inside Diameter mm	Wire Guide Diameter inch	Insertion Wire Length cm	Box Quantity
G22637	FLOW-20-PUSH-S	20	4.47	.035	260	1
G22762	FLOW-20-PUSH-I-S*	20	4.47	.035	260	1

*Does not include pharmaceuticals.

COMPONENT LIST:

- | | | | |
|-------------------------|---------------------|---|----------------------------------|
| 1 fenestrated drape | 1 hemostat | 1 cable tie | 1 25 gage x 5/8" needle† |
| 1 260 cm wire guide | 1 bolster | 1 Bolus feeding adapter – male (-I products only) | 1 Povidone ointment† |
| 1 cold snare | 1 tube clamp | 1 patient care manual | 1 Xylocaine 1%, 5 ml glass vial† |
| 1 silicone feeding tube | 1 universal adapter | 2 water soluble lubricant† | 1 syringe† |
| 5 gauze pads, 4" x 4" | 1 Bolus adapter | 1 22 gage x 1½" needle† | |
| 1 scissors | 1 twist lock | | |

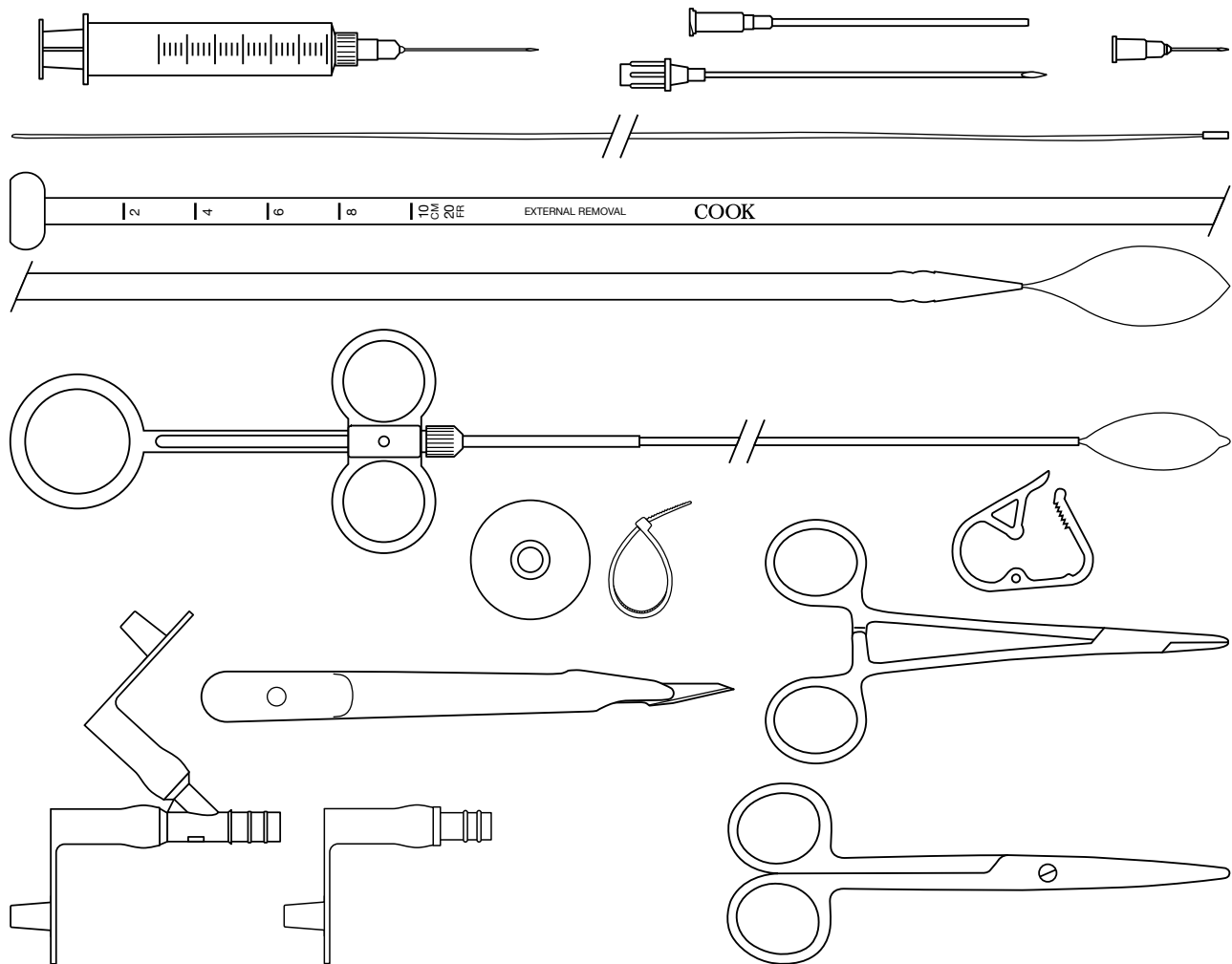
†These components are not included in the products with "-I" in the RPN.

Enteral - PEG/PEGJ



Flow 20® Pull Method

Used for percutaneous endoscopic placement to provide enteral nutrition to patients requiring nutritional support.



Order Number	Reference Part Number	Feeding Tube Size Fr	Feeding Tube Inside Diameter mm	Insertion Wire Length cm	Box Quantity
G22638	FLOW-20-PULL-S	20	4.47	150	1
G22761	FLOW-20-PULL-I-S*	20	4.47	150	1

*Does not include pharmaceuticals.

COMPONENT LIST:

- | | | | |
|--------------------------------|---------------------|---|----------------------------------|
| 1 fenestrated drape | 1 scissors | 1 twist lock | 1 22 gage x 1½" needle† |
| 1 150 cm looped insertion wire | 1 hemostat | 1 cable tie | 1 25 gage x 5/8" needle† |
| 1 cold snare | 1 bolster | 1 Bolus feeding adapter – male (-I products only) | 1 Povidone ointment† |
| 1 silicone feeding tube | 1 tube clamp | 1 patient care manual | 1 Xylocaine 1%, 5 ml glass vial† |
| 5 gauze pads, 4" x 4" | 1 universal adapter | 2 water soluble lubricant† | 1 syringe† |
| | 1 Bolus adapter | | |

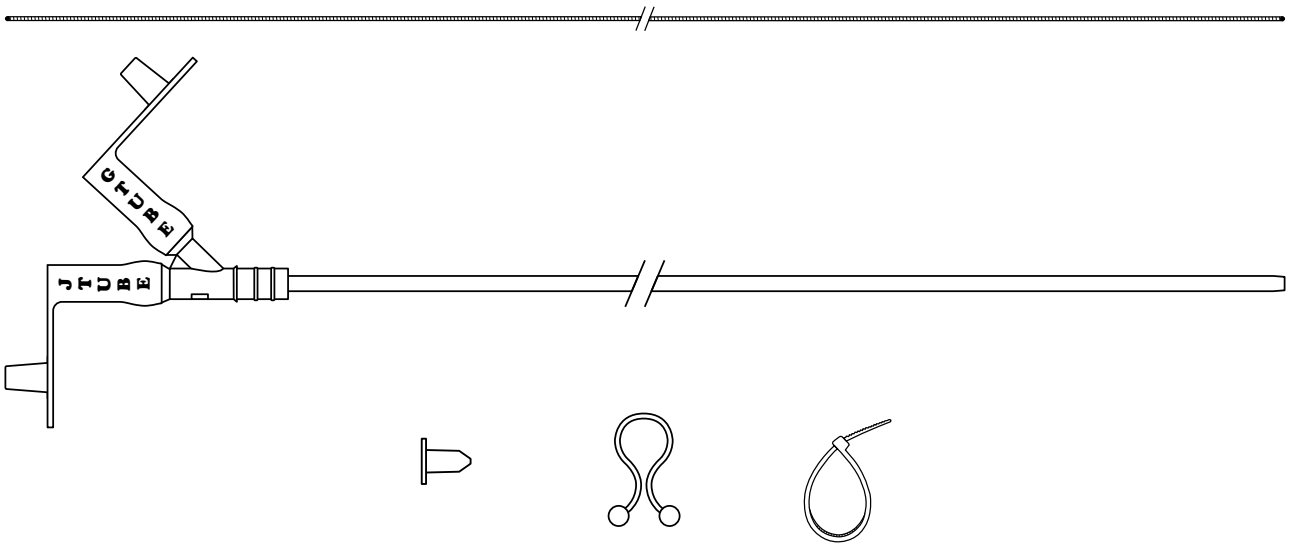
†These components are not included in the products with "-I" in the RPN.



PEG 24® Jejunal

Used for percutaneous endoscopic placement to provide enteral nutrition to patients requiring nutritional support.

- Radiopaque feeding tube



Order Number	Reference Part Number	Feeding Tube Size Fr	Feeding Tube Length cm	Wire Guide Diameter inch	Wire Guide Length cm
G22639	PEGJ-12-24-S	12	60	.035	200
G31503	PEGJ-12-24-95-S	12	95	.035	200

Does not contain lubricant.

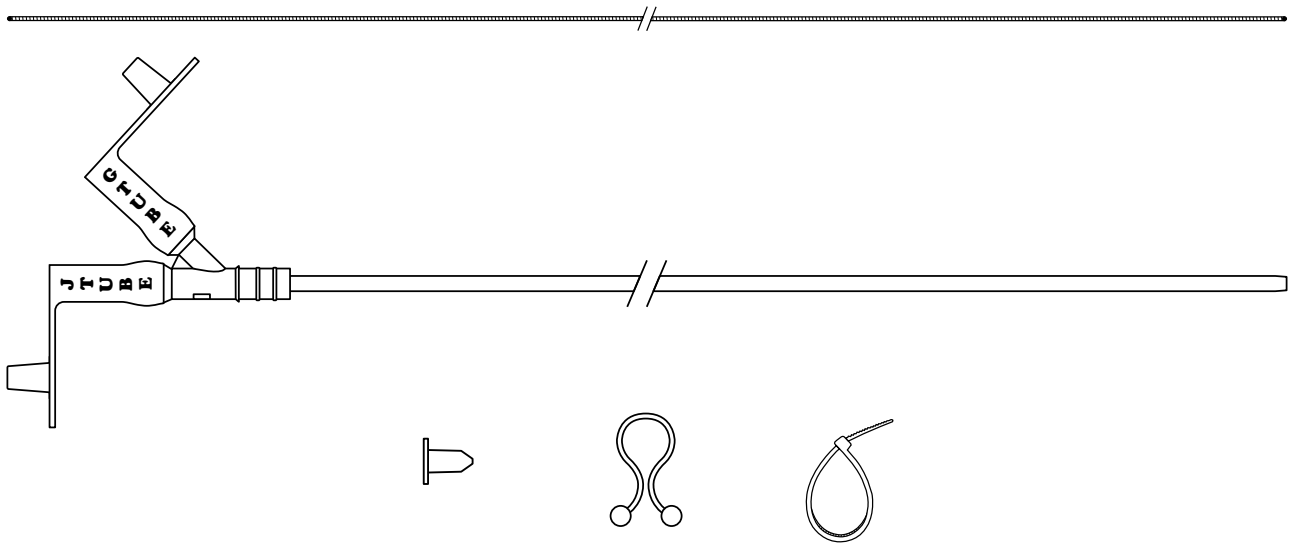
Enteral - PEG/PEGJ



Flow 20® Jejunal

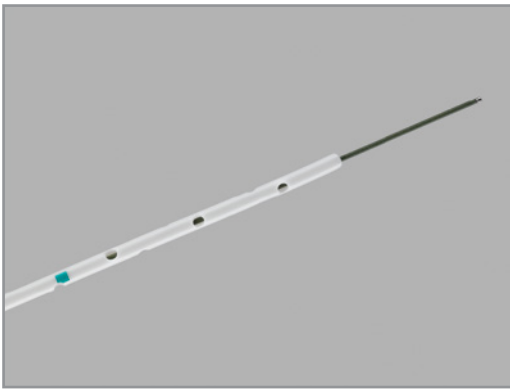
Used for percutaneous endoscopic placement to provide enteral nutrition to patients requiring nutritional support.

- Radiopaque feeding tube



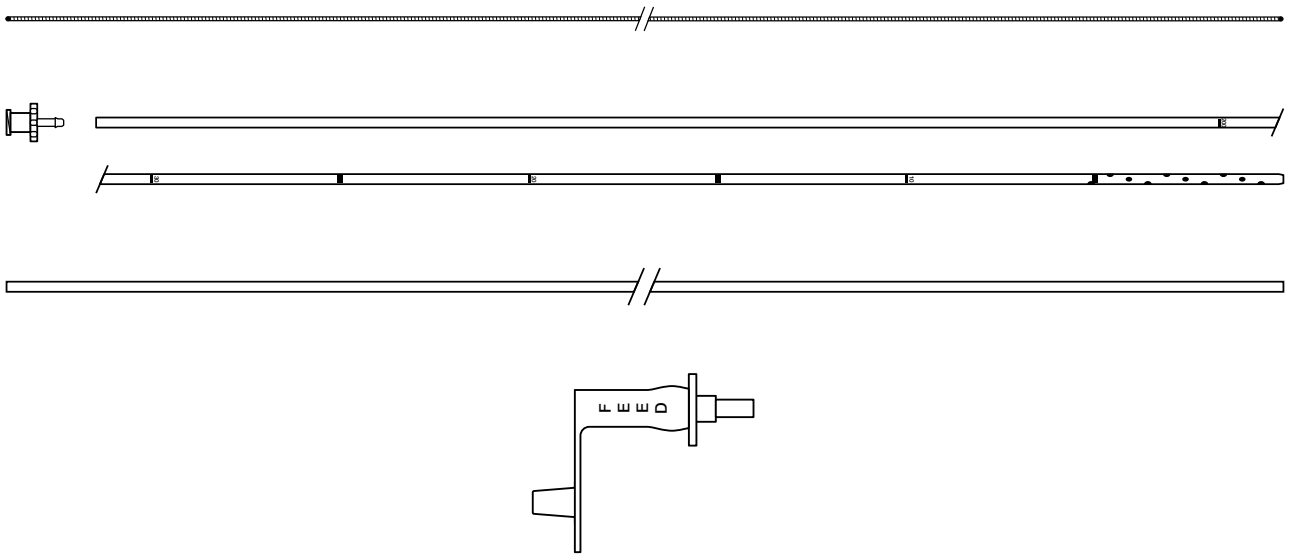
Order Number	Reference Part Number	Feeding Tube Size Fr	Feeding Tube Length cm	Wire Guide Diameter inch	Wire Guide Length cm
G22640	FLOWJ-9-20-S	9	60	.028	200

Does not contain lubricant.



Nasal Jejunum Feeding Tube

Used to provide short-term enteral access for delivery of nutrition or medications to the small bowel.

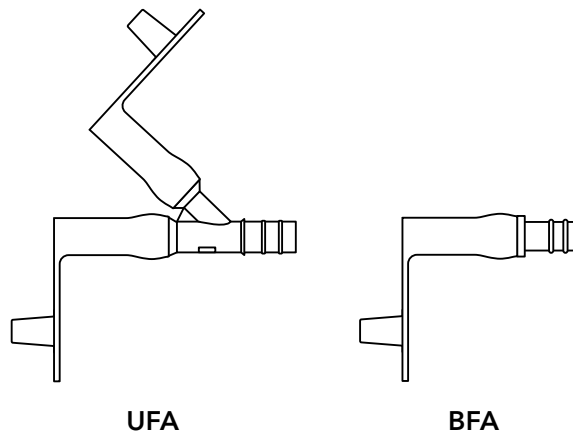


Order Number	Reference Part Number	Feeding Tube Size Fr	Feeding Tube Length cm	Wire Guide Diameter inch	Wire Guide Length cm	Nasal Transfer Tube Length cm	Minimum Accessory Channel mm
G22300	NJFT-8	8	240	.035	260	50	3.2
G22301	NJFT-10	10	240	.035	260	50	3.7

Enteral - PEG/PEGJ

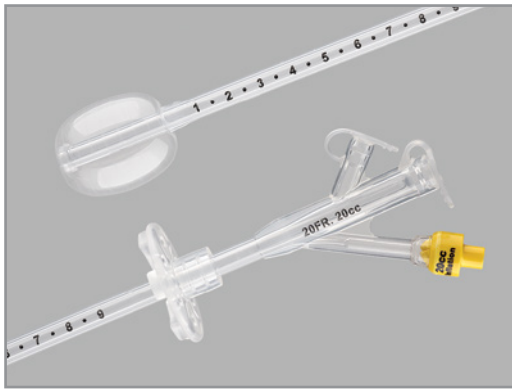


Universal and Bolus Feeding Adapters



Order Number	Reference Part Number	Adapter Size Fr	Adapter Type
G49642	UFA-20-S	20	Universal
G49641	BFA-20-S	20	Bolus
G22491	UFA-24-S	24	Universal

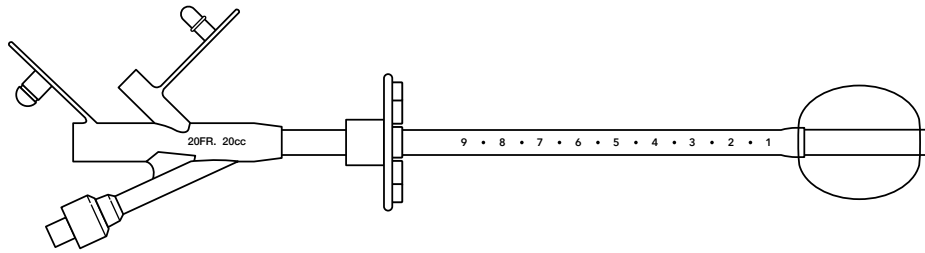
This device is supplied non-sterile.



Triton™ Balloon Replacement Gastrostomy Tube

Available for sale in the USA only.

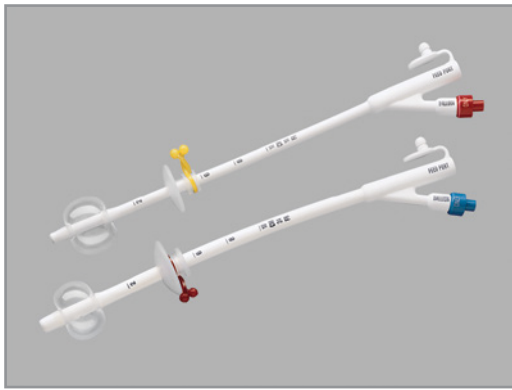
Used in a well-established gastrostomy tract for feeding and/or administration of medication. May be used for gastric decompression.



Order Number	Reference Part Number	Feeding Tube Size Fr	Feeding Tube Length cm	Balloon Capacity cc
G56111	PEG-14-BRT-TRI	14	23	5
G56112	PEG-16-BRT-TRI	16	23	10
G56113	PEG-18-BRT-TRI	18	23	15
G53883	PEG-20-BRT-TRI	20	23	20
G56114	PEG-22-BRT-TRI	22	23	20
G53885	PEG-24-BRT-TRI	24	23	20

Components include: 1 bolster and 1 water soluble lubricant pack.

Enteral - PEG Replacement Devices



Balloon Replacement Gastrostomy Tube

Used for a replacement gastrostomy tube through an established gastrostomy tract.

- This device provides continued access to the stomach for delivery of nutrition and medication to patients requiring nutritional support



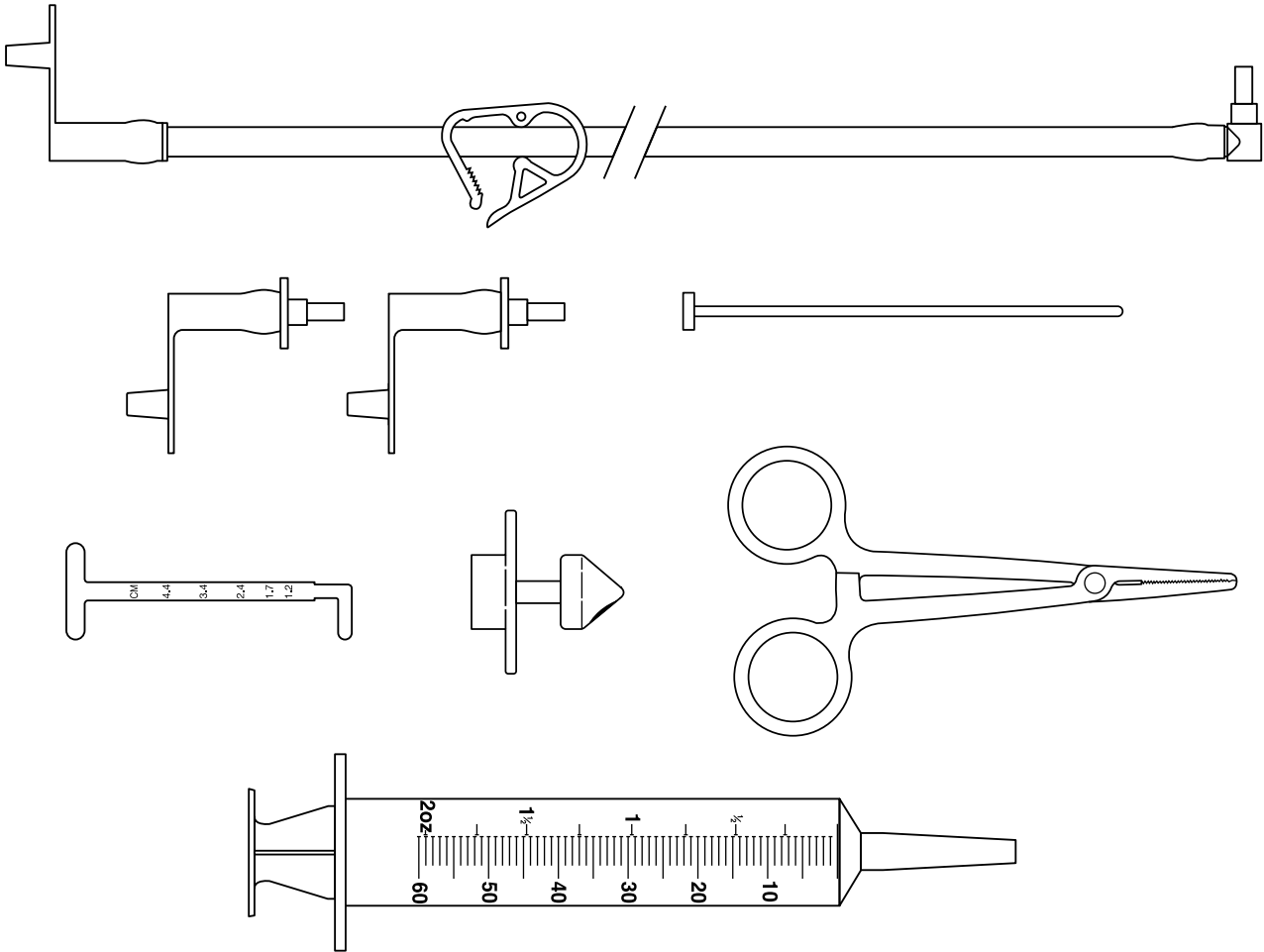
Order Number	Reference Part Number	Feeding Tube Size Fr	Feeding Tube Length cm	Balloon Capacity cc
G22685	PEG-14-BRT-S	14	24.6	5
G24511	PEG-18-BRT-S	18	24.6	20
G22689	PEG-24-BRT-S	24	24.6	20

Components include: 1 bolster, 1 twist lock, 1 prefilled 10 cc Luer Syringe (14 FR) or 2 prefilled 10 cc Luer Syringe (18-24 FR) and 2 water soluble lubricant packs.



Passport® Low Profile Gastrostomy Device

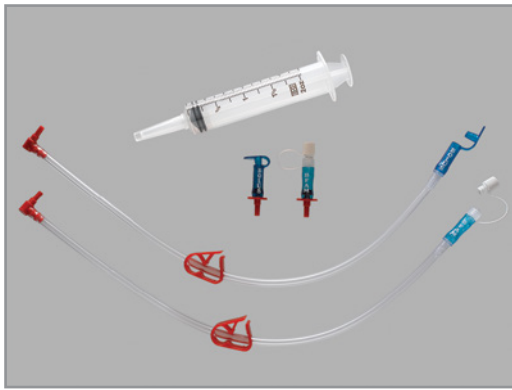
Used to replace a gastrostomy tube that has been removed from an established stoma tract.



Order Number	Reference Part Number	Feeding Tube Size Fr	Feeding Tube Length cm
G24611	PASS-20-1.2	20	1.2
G24612	PASS-20-1.7	20	1.7
G24613	PASS-20-2.4	20	2.4
G24614	PASS-20-3.4	20	3.4
G24615	PASS-20-4.4	20	4.4
G22593	PASS-24-1.7	24	1.7
G22594	PASS-24-2.4	24	2.4
G22595	PASS-24-3.4	24	3.4
G22596	PASS-24-4.4	24	4.4

Some components of this kit are supplied non-sterile.

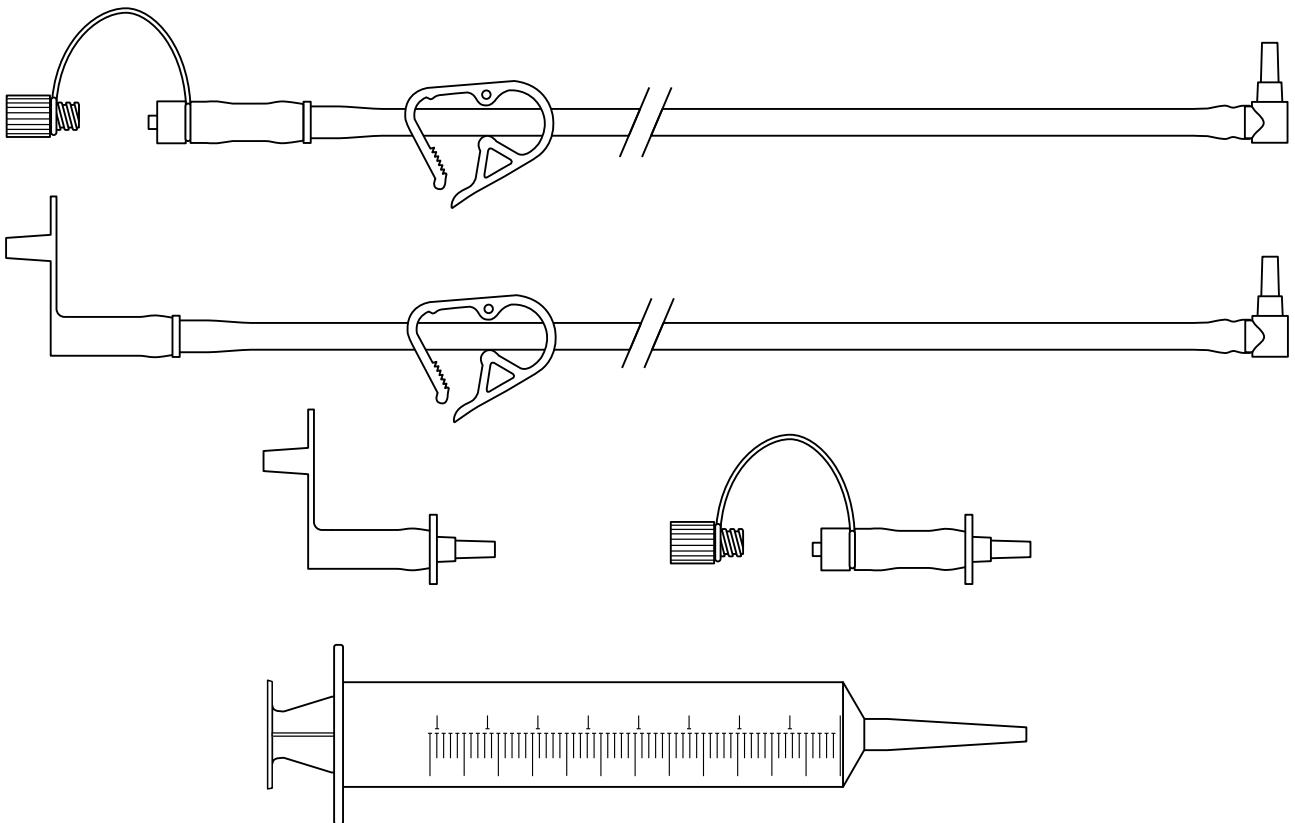
Enteral - PEG Replacement Devices



Passport® Patient Care Kit

The Passport low profile gastrostomy device is used to replace a gastrostomy tube through an existing stoma tract.

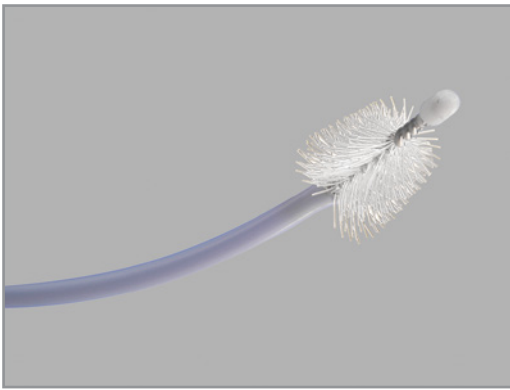
- This device provides continued access to the stomach for the delivery of nutrition, medication, gastric drainage or decompression



Order Number	Reference Part Number	Universal Extension Tube Length cm	Syringe Capacity cc
G22615	PASS-PCK-I	46	60

Components Include: Taper tip syringe, right angle universal tube with bolus adapter or with bolus adapter male, Direct Kinect™ adapter, Direct Kinect™ bolus adapter male, 2 red clamps, patient care manual.

This device is supplied non-sterile.

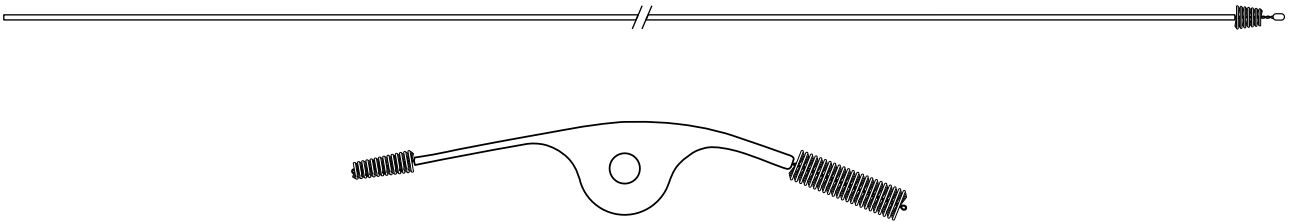


Disposable Endoscopic Cleaning Brush

Used for cleaning the accessory channels of endoscopes.

Endoscope valves, valve-housings and connectors can be cleaned using the Disposable Valve Cleaning Brush.

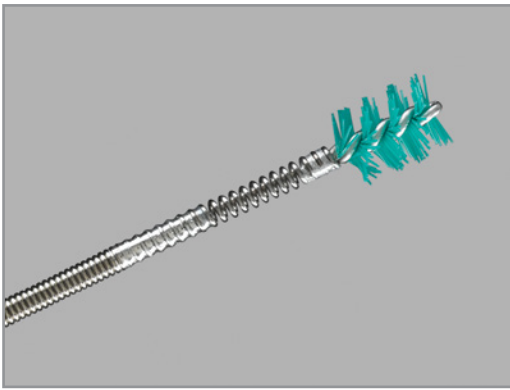
- Multiple configurations available to suit cleaning preferences
- Rigid, yet flexible channel brush shaft to allow for ease of passage
- Covered brush tip to protect endoscope channel
- Ergonomically designed double-ended valve cleaning brush to maximize cleaning



Order Number	Reference Part Number	Channel Brush Diameter mm	Valve Brush Length mm	Cable Length cm	Brush Type	Box Quantity	Minimum Accessory Channel mm
G30651	DCB-S-50	6.5-5	n/a	240	single end	50	2
G30652	DCB-D-50	6.5-5	n/a	240	double end	50	2
G30715	DCB-SV-50	6.5-5	10 6-4.5	240	single end	50	2
G30714	DCB-DV-50	6.5-5	10 6-4.5	240	double end	50	2

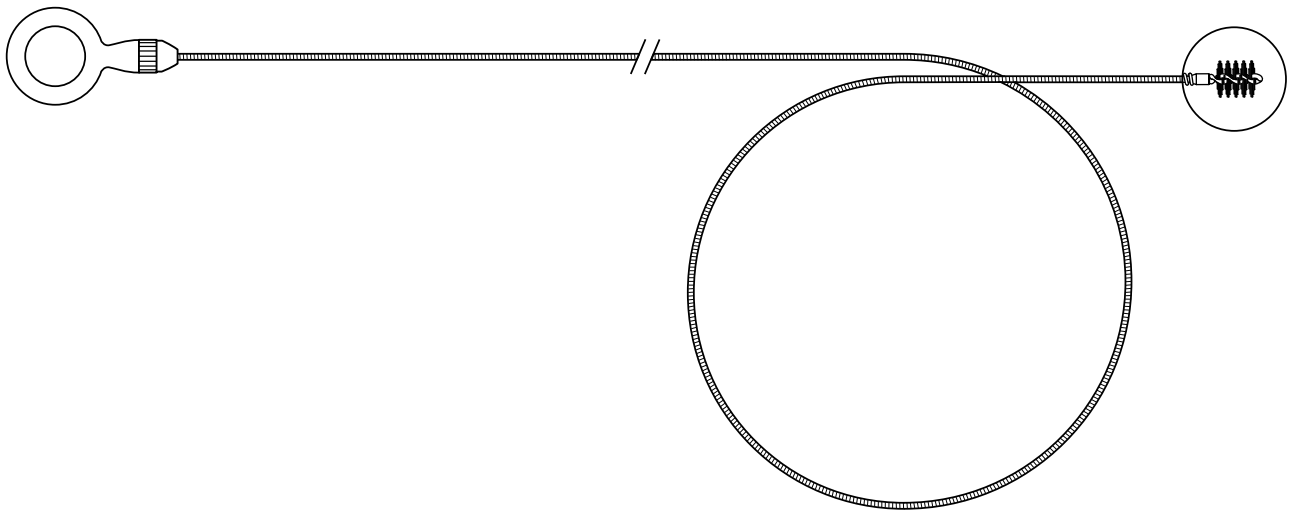
This device is supplied non-sterile.

Miscellaneous - Cleaning Brushes



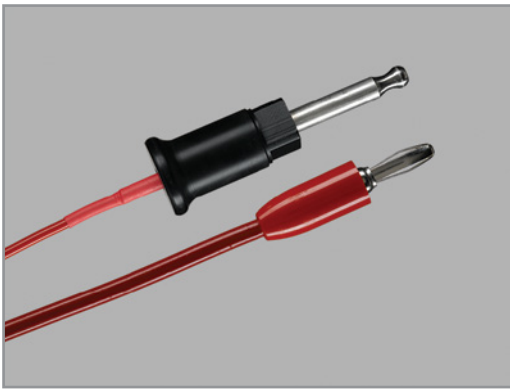
Rainbow™ Endoscopic Cleaning Brush

Used for cleaning upper and lower GI endoscopes.



Order Number	Reference Part Number	Brush Diameter mm	Cable Size Fr	Cable Length cm	Brush Type	Minimum Accessory Channel mm
G25393	RCB-180-S	5.5	5	180	single end	2.8-4.2
G25394	RCB-180-D	5.5	5	180	double end	2.8-4.2
G25392	RCB-220-S	5.5	5	220	single end	2.8-4.2
G25395	RCB-220-D	5.5	5	220	double end	2.8-4.2

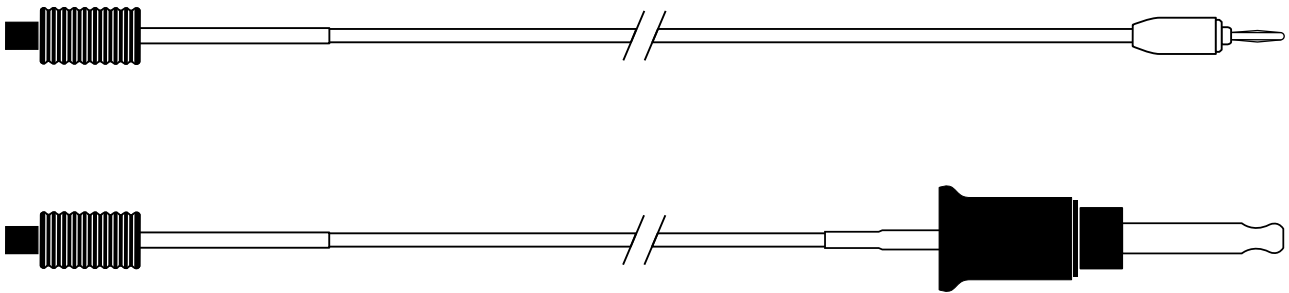
This device is supplied non-sterile.



Active Cord

Cross reference to other manufacturers.

Universal adapters require ACU-1.



Order Number	Reference Part Number	Compatible Electrocautery Units
G21485	ACU-1	Darval Ellman Elmed Fougsuj Martin Surgitron Wolfe
G22092	ACU-1-VL	ACMI AS & 400 Series Aspen/Zimmer Bard Bovie AG Birtcher (Various) Burdick SU 7 & 8 CSV Concept Conmed Davol EMS Endostat Endostat II ERBE* Meditron Neomed Pentax CGI-4000 Ritter Valley Lab Wappler 3M

**Not all models of this brand may be compatible with the ACU-1-VL, please check with your Cook Medical Representative if you need assistance.
This device is supplied non-sterile and is reusable.*

Quick Reference

A

ACRO.....	14
ACU.....	219
AS.....	169, 172
ASDB.....	171
ASH.....	169
ASJ.....	169
ASM.....	169
ASMH.....	169

B

BCB.....	187, 200
BCP.....	154
BFA.....	212
BMCG.....	87

C

CBF.....	167
CBSO.....	102
CCB.....	187
CCPT.....	29
CCS.....	49
CDSB.....	190
CDSG.....	188
CDSM.....	189
CGDC.....	74
CGF.....	165
CHBS.....	103
CHBSO.....	105
CLBS.....	107
CLSO.....	110
CLSO-SF.....	113
CST.....	84
CT.....	27, 28

D

DASH.....	25, 47, 57
DBF.....	161, 199
DCB.....	217
DLB.....	78
DS.....	180
DSA.....	50
DT.....	197
DVI.....	156
DVIN.....	157
DWG.....	20

E

EBL.....	56
EBLR.....	55
ECB.....	187
ECHO.....	141, 142, 143, 144, 145, 146, 148
ECL.....	181
ENBD.....	85

ERCP.....	45, 46
EVO.....	89, 90, 91, 191, 192, 193, 194, 195
EZS.....	196

F

FLOW.....	203, 204, 207, 208
FLOWJ.....	210
FS.....	52
FS-25M.....	24
FS-BDB.....	70
FS-BDC.....	73
FS-CB.....	77
FS-GT.....	39, 40
FS-LT.....	18
FS-LXB.....	59
FS-OA.....	95
FS-OMNI.....	23
FS-PC.....	96
FS-PRECUT.....	35
FS-QEB.....	51
FSW.....	17
FS-WL.....	13
FS-XB.....	60
FS-ZILBS.....	93

G

GBF.....	167
GC.....	99, 113
GEPD.....	121
GGDC.....	75
GPDS.....	127
GPSO.....	124
GPSOS.....	128
GPSO-SF.....	129
GPSOS-SF.....	130
GT.....	41, 42, 43, 44, 198

H

HBAN.....	83
HBD.....	175
HBD-W.....	176
HBI.....	79
HBIB.....	80
HBIF.....	81
HBIN.....	82
HDBF.....	164
HEMO.....	149
HGC.....	98
HMBL.....	153
HMF.....	166
HPC.....	36, 37
HRC.....	48
HYB.....	21

Quick Reference

I

INSC..... 150

J

JPWS 138

L

LDVI 156

M

MB5 66

MBL..... 152

MBL-U..... 151

MET 16

METII 15

MOB 58

MPB 174

MSB 62, 63

MSB5 64

MT 30

MWB..... 65

N

NJFT 211

NPDS 86

NW 147

NWOA..... 147

O

OA 97

OACL..... 100

OATS 101

P

PASS 215, 216

PC..... 99

PEG..... 201, 202, 205, 206, 213, 214

PEGJ 209

PT 34

PTG 32, 33

PTW 38

Q

QBD 71

QBID..... 72

QD 177

QDC..... 178

QDP 178

QID 179

R

RBF..... 168

RCB..... 218

RR 19

RTF..... 167

S

SAS 170

SASH..... 170

SASJ 170

SASM 170

SASMH 170

SASMM 170

SBDC 76

SCB 182

SGD 183, 184

SGDC..... 184

SGDW..... 184

SGW..... 185

SIS 99

SJO 173

SLC..... 69

SLH..... 69

SMN 159

SMO..... 173

SOM..... 88

SPSOF 136

SPSOS 131

SSH 173

SSO..... 173

SSR..... 139

T

TDVI 156

THSF 22

TRI 26

TTCL 68

TTSO 114

TX..... 54

TXR 53

U

UFA..... 212

UTS 31

V

VIN 155

VINF..... 158

W

WCAB..... 186

WCMB 67

WEB 61

Z

ZEBD..... 117

ZEPDF..... 132

ZEPDS..... 134

ZILBS..... 92, 94

ZPSOF 133

ZPSOS 135

ZSO..... 119

ZSS..... 116